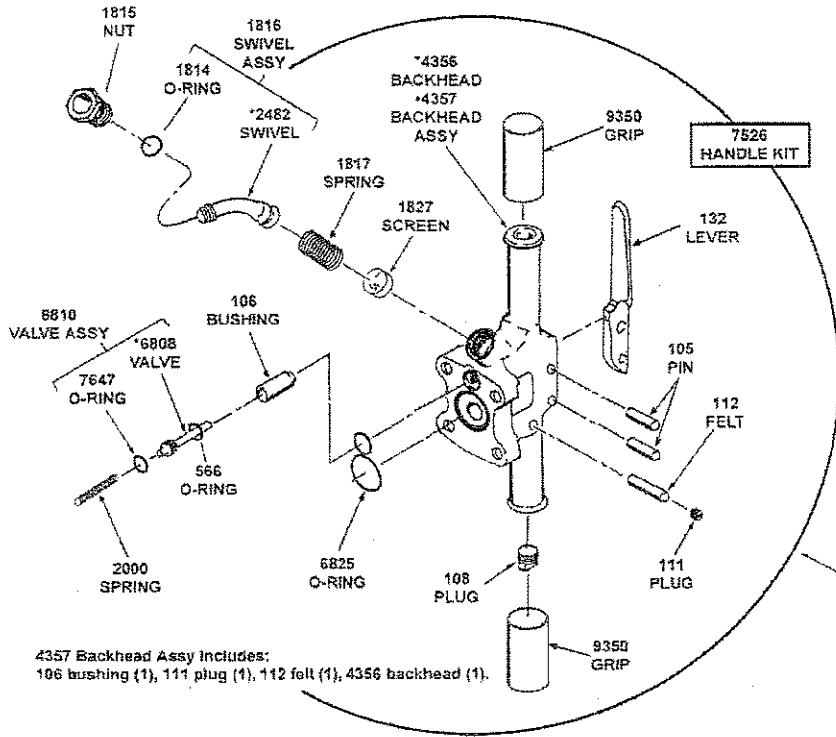


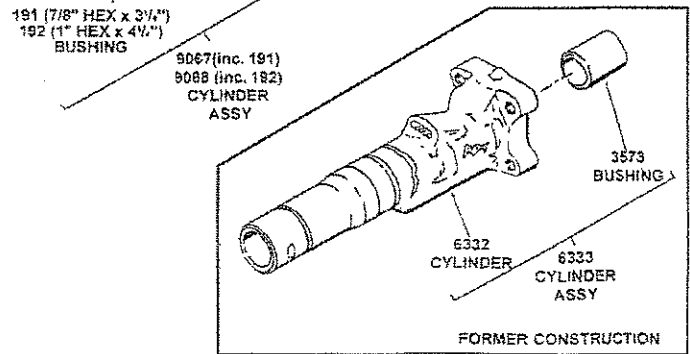
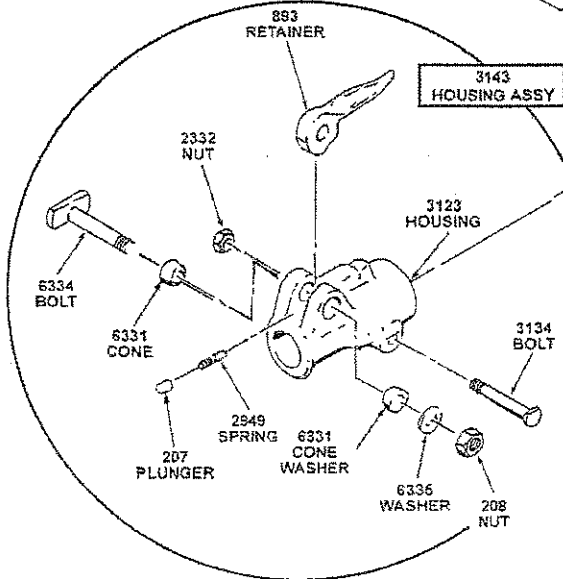
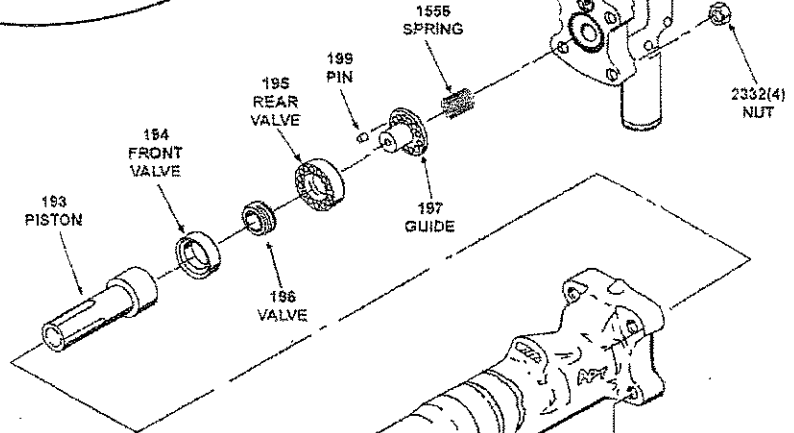
AMERICAN PNEUMATIC TOOL

**APT MODEL 117
PAVING BREAKER**
PART NO. 5199 (7/8" HEX x 3-1/4")
PART NO. 5200 (1" HEX x 4-1/4")

CROWDER SUPPLY COMPANY 8495 ROSLYN ST, COMMERCE CITY, COLORADO 80022 TOLL FREE 888-883-5144 WWW.CROWDERSUPPLY.COM



LATCH KIT - #18295	
893	Retainer Latch
208	Nut
6335	Washer
6331	Cones (2)
6334	Bolt
2949	Spring
207	Plunger



* FOR REFERENCE ONLY
(THESE PARTS NOT SOLD SEPARATELY)

