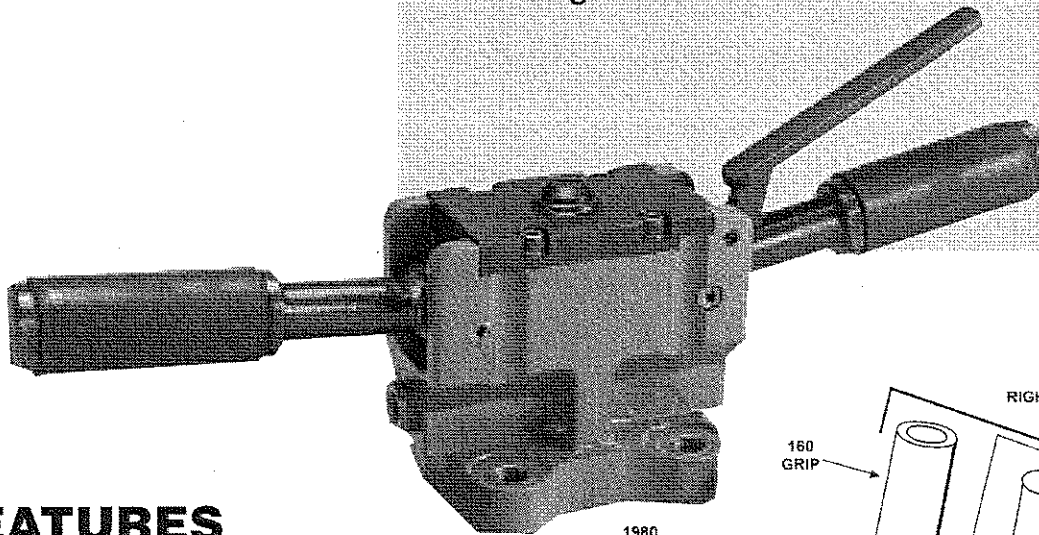


**MODELS
140A/160A/180A
PAVING BREAKER
AIRGO-Line™
HANDLE**

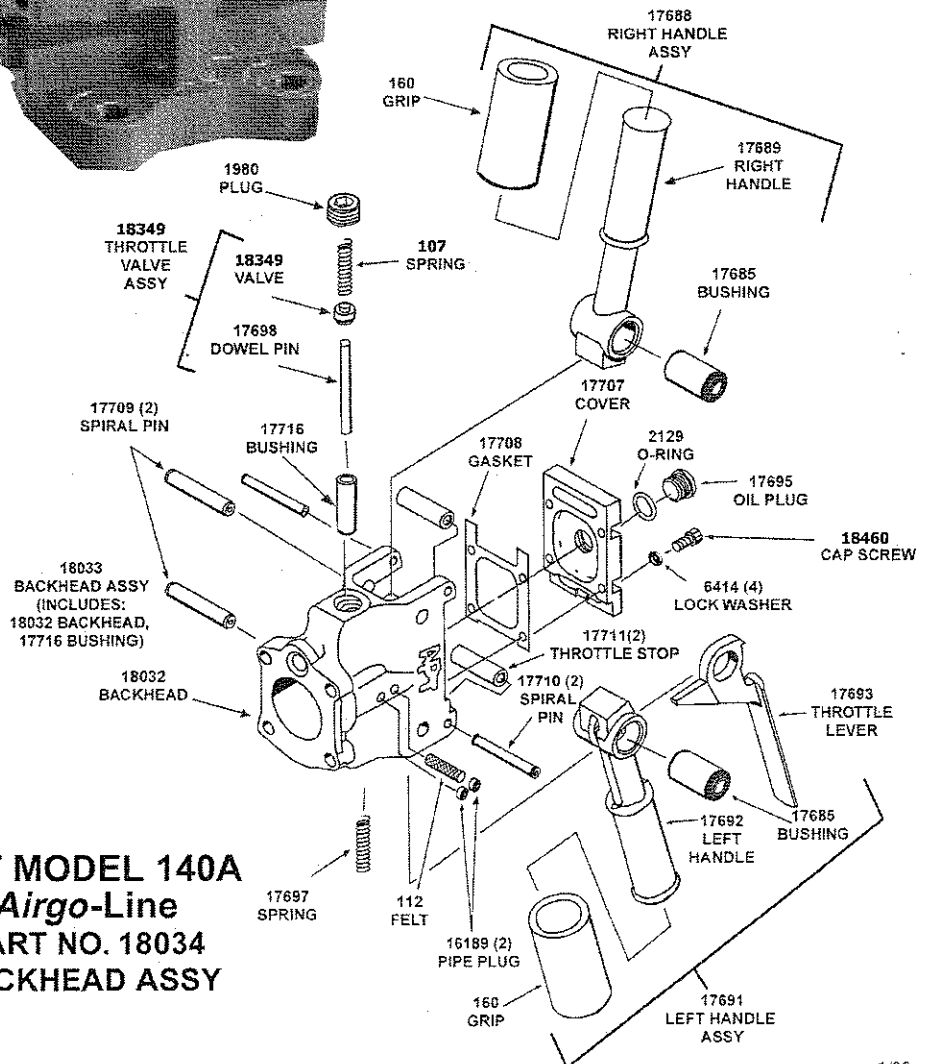
The Model *Airgo-Line* handle assembly is designed to be a vibration dampening handle. The ergonomically designed handle absorbs at least 50% of the harmful vibration to the hands and arms of the operator. These versatile handle assemblies can easily be adapted to the standard APT Model 140, 160, and 180 Paving Breakers by removing and reinstalling the four backhead nuts and bolts.



FEATURES

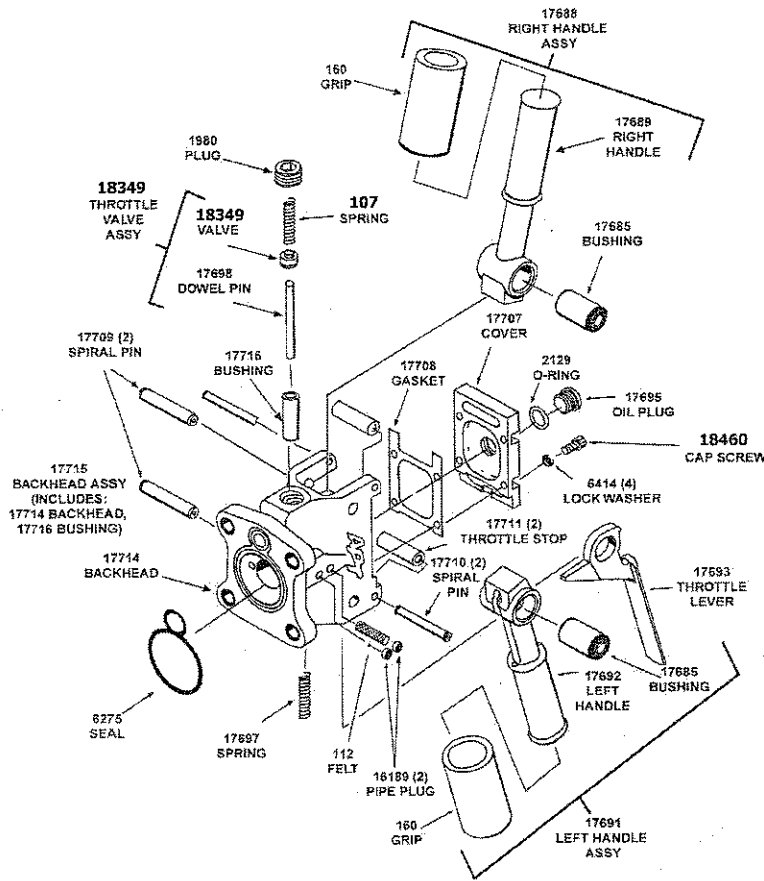
- Vibration dampening ergonomic handle designed to absorb the shock to the operator
- Handles are interchangeable with APT Models 140, 160, and 180; now you can convert your standard APT tool into an ergonomic model in minutes

**APT MODEL 140A
Airgo-Line
PART NO. 18034
BACKHEAD ASSY**



AMERICAN PNEUMATIC TOOL

APT MODEL 160A *Airgo-Line™* PART NO. 17684 BACKHEAD ASSY



APT MODEL 180A *Airgo-Line™* PART NO. 17720 BACKHEAD ASSY

