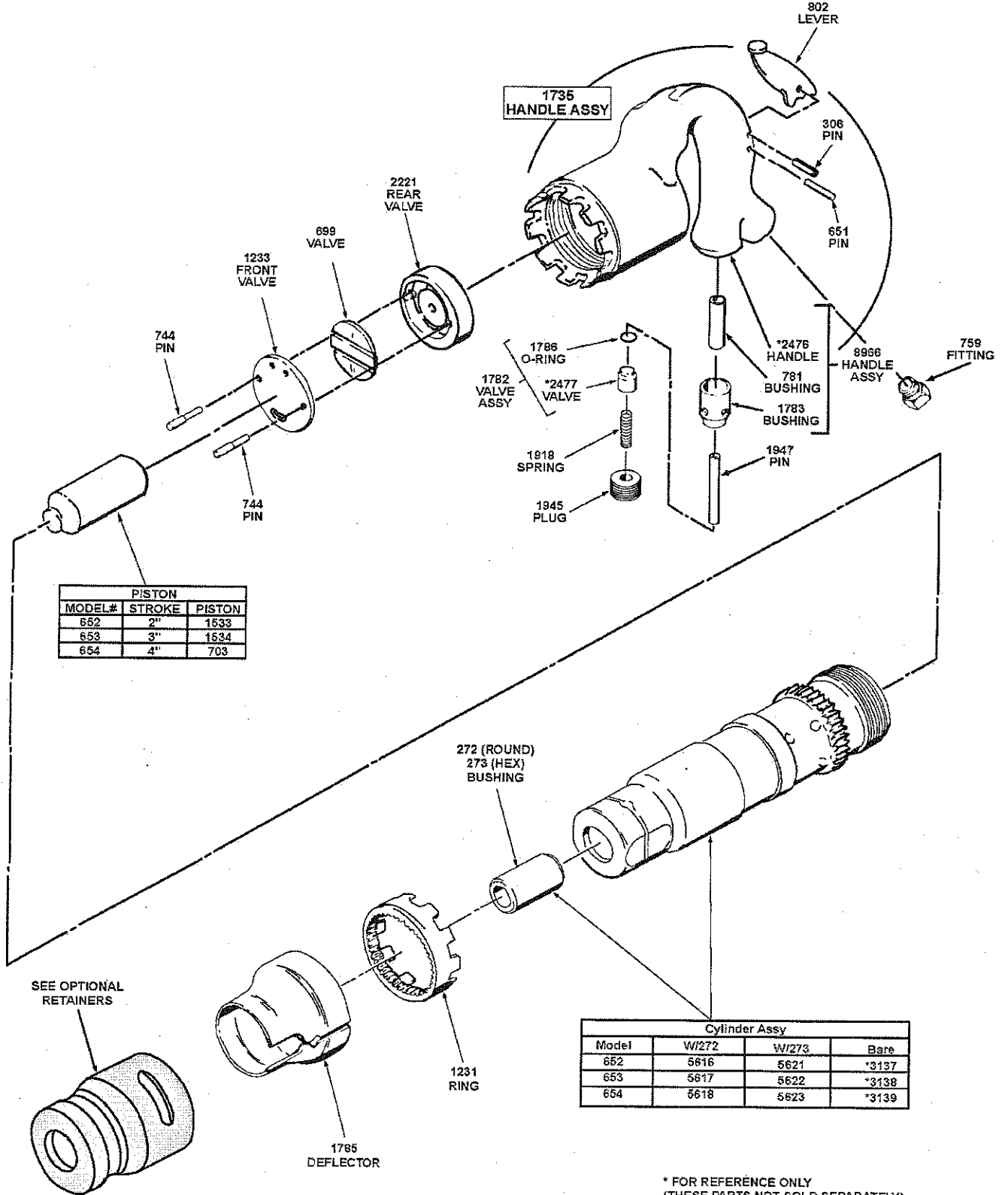


AMERICAN PNEUMATIC TOOL

APT MODEL 650 SERIES CHIPPING HAMMER

CROWDER SUPPLY COMPANY 8495 ROSLYN ST, COMMERCE CITY, COLORADO 80022 TOLL FREE 888-883-5144 WWW.CROWDERSUPPLY.COM

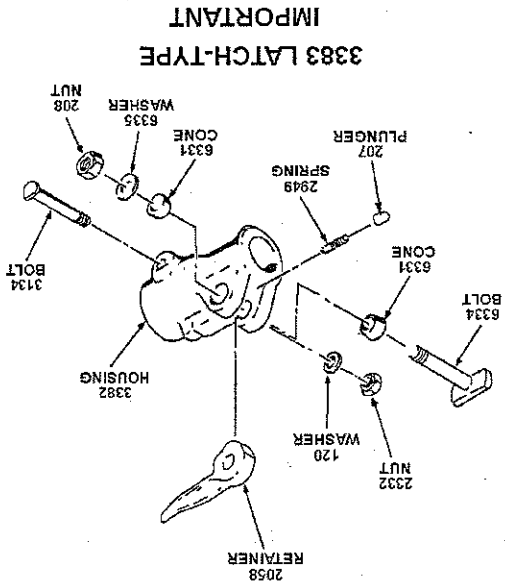


* FOR REFERENCE ONLY
(THESE PARTS NOT SOLD SEPARATELY)

APT

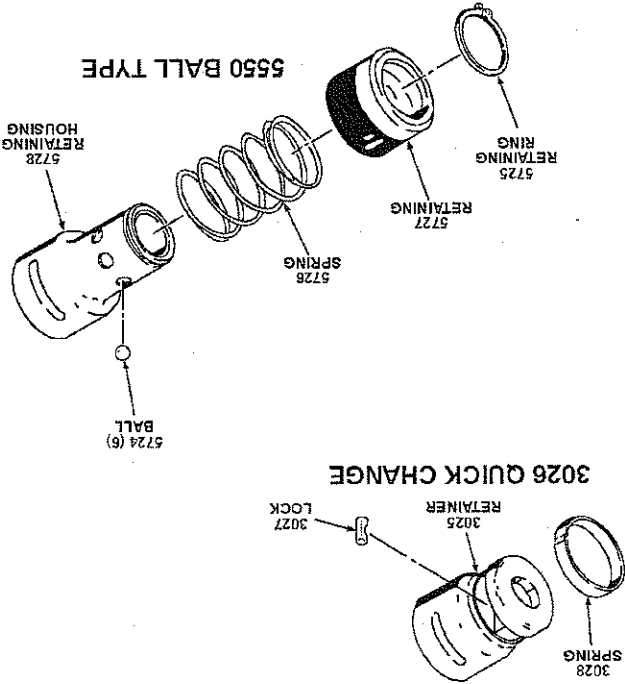
AMERICAN PNEUMATIC TOOL

OPTIONAL RETAINERS (FOR APT STRAIGHT-NOSE CHIPPING HAMMERS)



3383 LATCH-TYPE IMPORTANT

DO NOT USE 3383 Latch-Type Retainer with .560 hex-shank chipping hammer steel. The latch does not properly catch the round collar, thereby allowing the steel to shoot out of the chipping hammer. This retainer (3383 Assy) should only be used with .680 round collar or round shank steel only.



3026 QUICK CHANGE

7022 OVAL COLLAR



6144 ROUND COLLAR



OPTIONAL RETAINER (FOR APT TAPERED-NOSE CHIPPING HAMMERS)

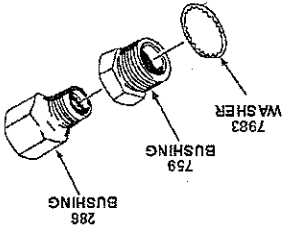


1941 SPRING

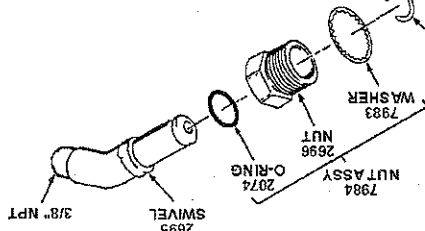
18210 OVAL COLLAR

OPTIONAL FITTINGS

REDUCING BUSHING



2698 SWIVEL ASSY



3388 SWIVEL ASSY

