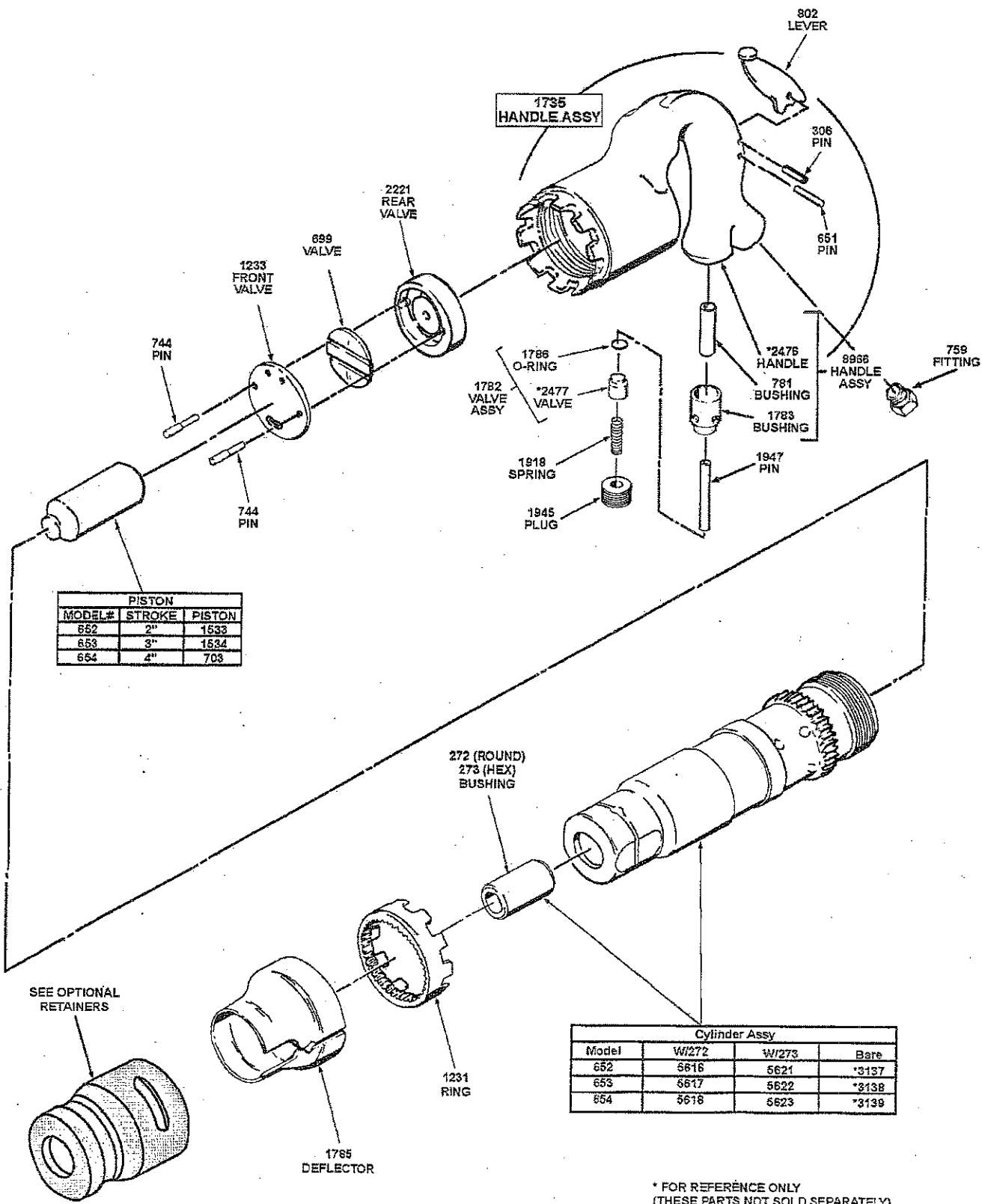


AMERICAN PNEUMATIC TOOL

APT MODEL 650 SERIES CHIPPING HAMMER

CROWDER SUPPLY COMPANY 8495 ROSLYN ST, COMMERCE CITY, COLORADO 80022 TOLL FREE 888-883-5144 WWW.CROWDERSUPPLY.COM

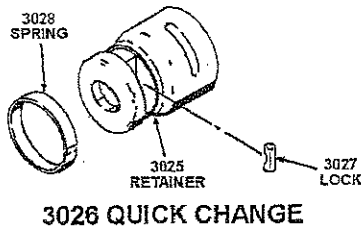


* FOR REFERENCE ONLY
(THESE PARTS NOT SOLD SEPARATELY)

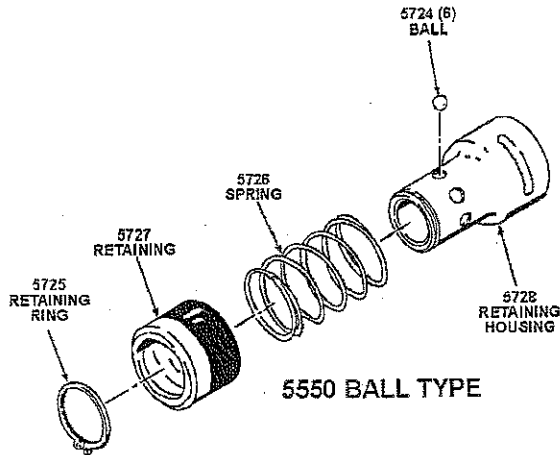


AMERICAN PNEUMATIC TOOL

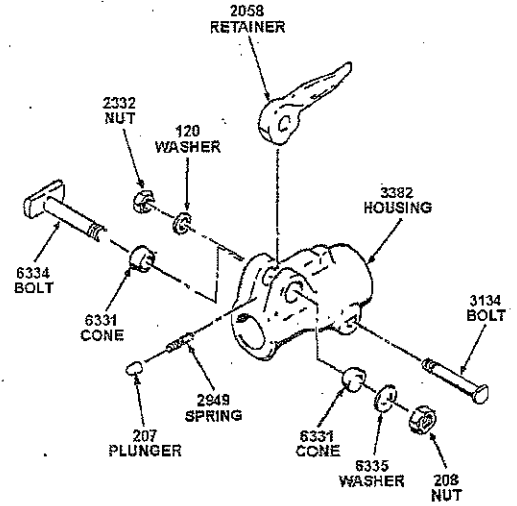
OPTIONAL RETAINERS (FOR APT STRAIGHT-NOSE CHIPPING HAMMERS)



3026 QUICK CHANGE



5550 BALL TYPE



**3383 LATCH-TYPE
IMPORTANT**

DO NOT USE 3383 Latch-type Retainer with .580 hex-shank chipping hammer steel. The latch does not properly catch the round collar, thereby allowing the steel to shoot out of the chipping hammer. This retainer (3383 Assy) should only be used with .680 round collar or round shank steel only.



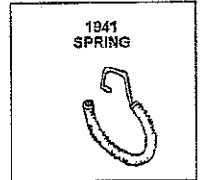
7022 OVAL COLLAR



6144 ROUND COLLAR



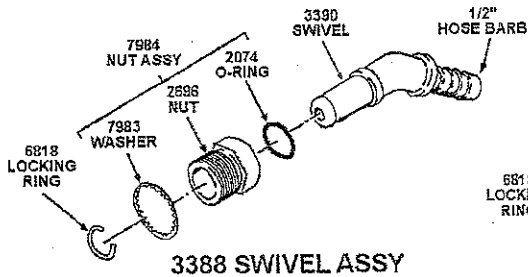
18210 OVAL COLLAR



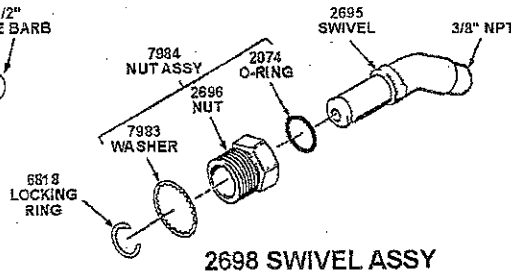
**1941
SPRING**

OPTIONAL RETAINER (FOR APT TAPERED-NOSE CHIPPING HAMMERS)

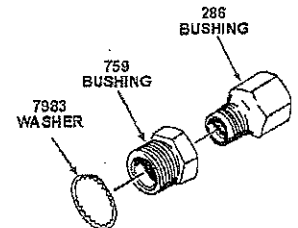
OPTIONAL FITTINGS



3388 SWIVEL ASSY



2698 SWIVEL ASSY



REDUCING BUSHING

CROWDER SUPPLY COMPANY 8495 ROSLYN ST, COMMERCE CITY, COLORADO 80022 TOLL FREE 888-883-5144 WWW.CROWDERSUPPLY.COM