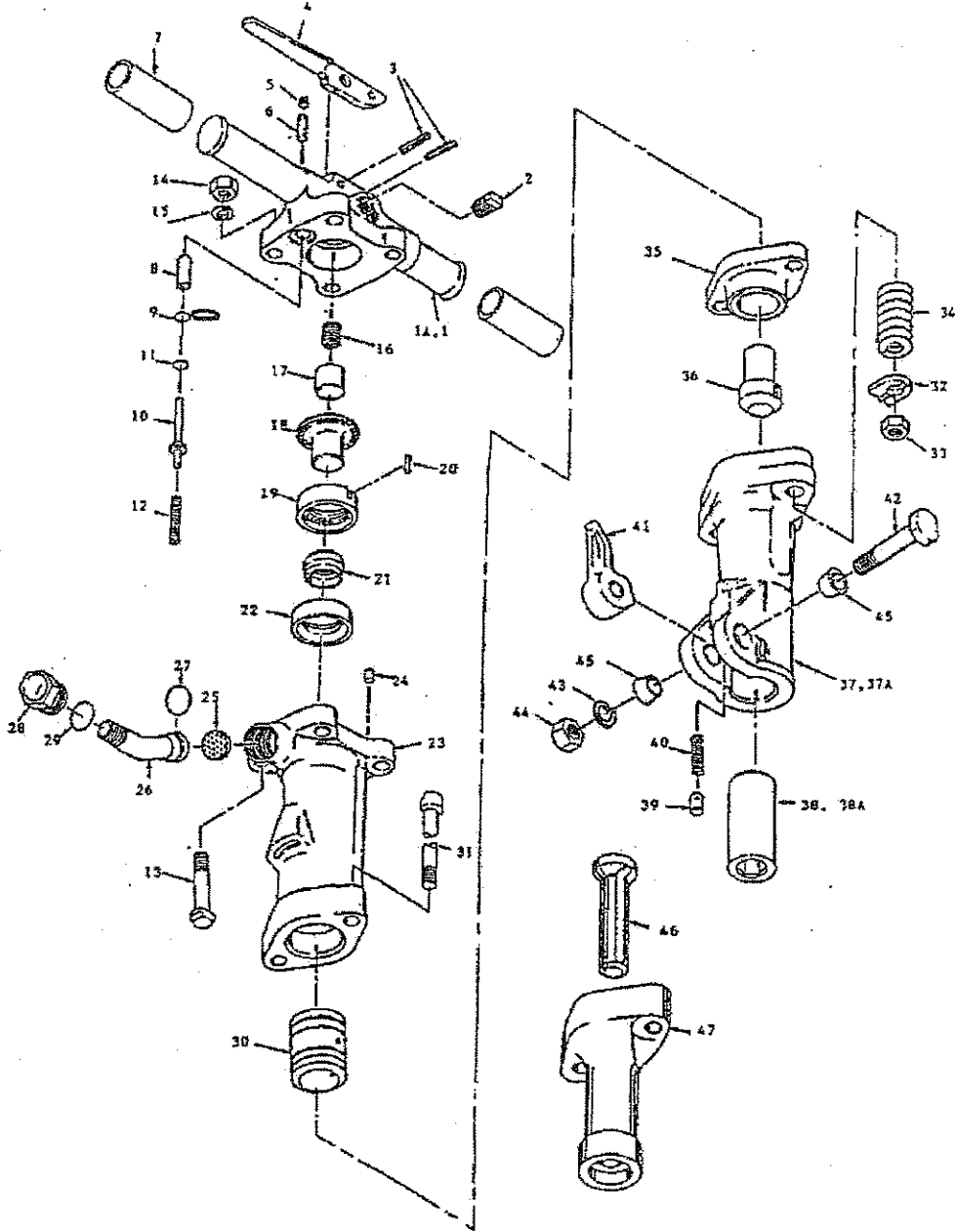


ATSCO PB90 PAVING BREAKER



ATSCO PB90 PAVING BREAKER

ITEM #	PART #	DESCRIPTION
1A	87A-25	BACKHEAD ASSEMBLY
1	87-25	BACKHEAD (BARE)
2	33-25	PLUG
3	2312-1250	LEVER PINS
4	31-23	LEVER
5	33-J10	PLUG
6	57-23	FELT
7	85-23	GRIPS (2)
8	27-23	BUSHING
9	66-PB90	SEAL
10	25-23	THROTTLE VALVE
11	93-111	O RING
12	26-23	SPRING
13	22-25	BOLT (4)
14	23-PB8	NUT (4)
15	24-25	LOCK WASHER (4)
16	59-23	SPRING
17	58-23	PLUNGER
18	55-25	GUIDE
19	52-25	VALVE CHEST (REAR)
20	56-23	PIN
21	54-23	VALVE
22	53-125	VALVE CHEST (FRONT)
23	90A-25	CYLINDER
24	92-125	PLUGS (5)
25	68-25	SCREEN
26	60-25	SWIVEL
27	93-24	O RING
28	45-25	BUSHING
29	93-124	O RING
30	2-25	PISTON
31	19-23	F.H. BOLT ASSEMBLY (2)
32	21-125	WASHER (2)
33	20-23	NUT (2)
34	18-23	SPRING (2)
35	62-125H	TAPPET SEAT
36	51-125H	TAPPET
37	100-25-8	1-1/8" X 6" FRONTHEAD
38	1H-117-8	1-1/8" X 6" BUSHING
37A	100-25-4	1-1/4" X 6" FRONTHEAD
38A	1H-117-4	1-1/4" X 6" BUSHING
39	16-23	PLUNGER
40	17-23	SPRING
41	12-23	RETAINER
42	13-117	BOLT
43	24-25	LOCK WASHER
44	15-PB8	NUT
45	14-25	BOLT BUSHING (2)
46	2-CC3B	SPIKE DRIVER RAM
47	100-PB90S	SPIKE DRIVER FRONTHEAD