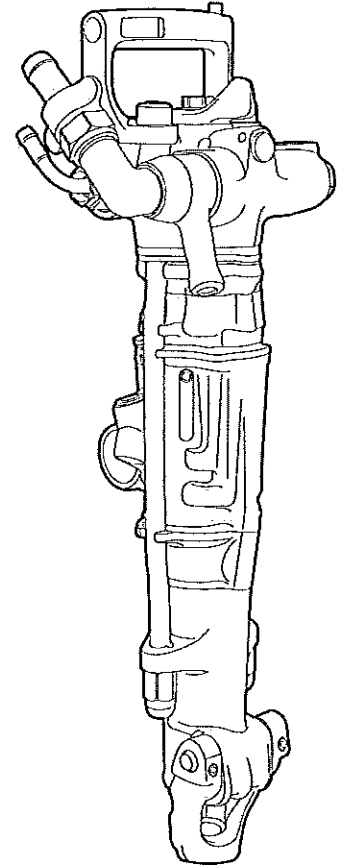
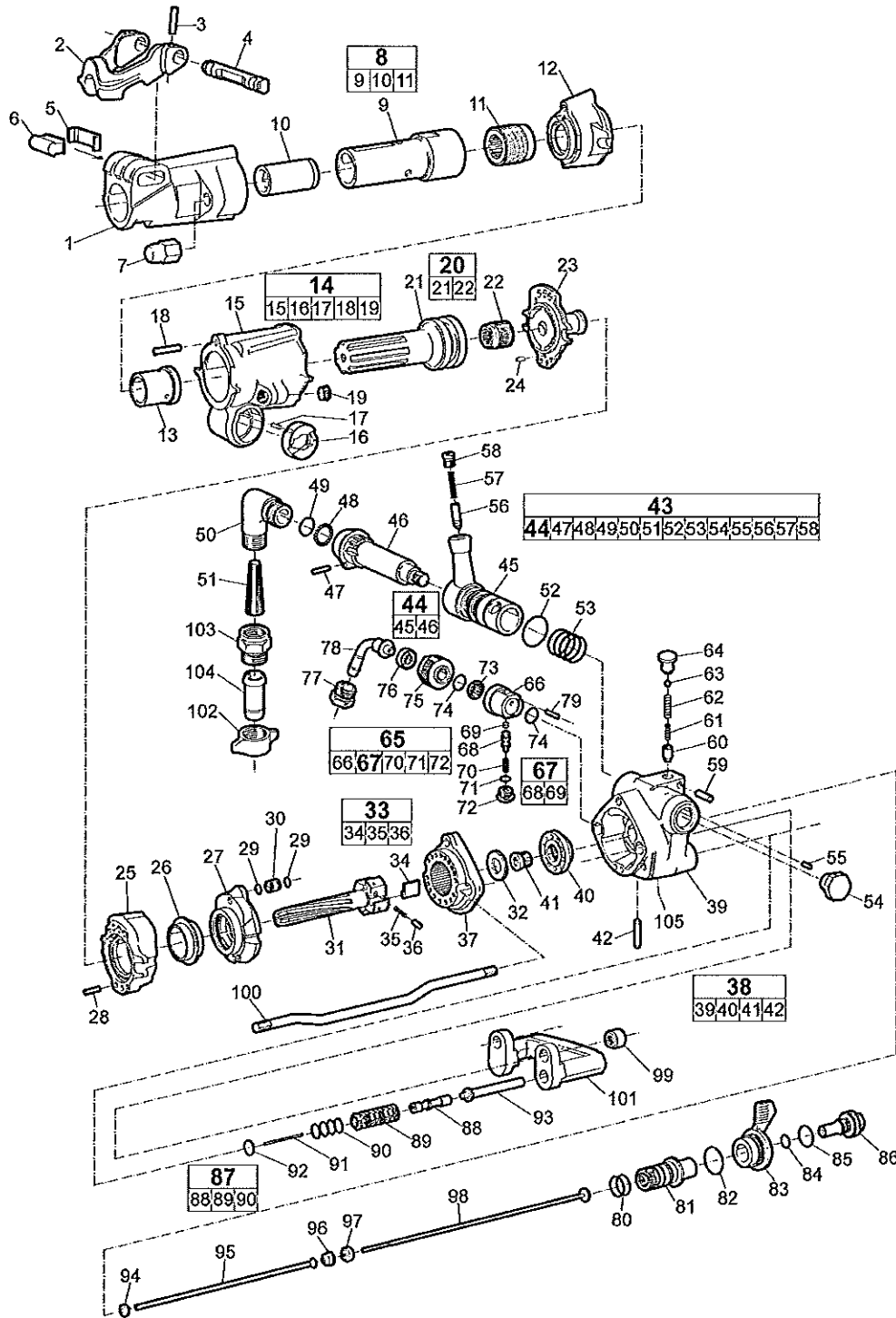


## Spare parts list Pusher leg rockdrills



# Spare parts list

**BBC 34W/WS - 8311 0408 05/8311 0303 47**



CROWDER SUPPLY CO INC \* 8495 Roslyn St., Commerce City, CO 80022 \* 303.433.5144 FAX: 303.433.3928 TOLL FREE: 888.883.5144 \* WWW.CROWDERSUPPLY.COM

No.	Description	Remark	Quantity	Part Number
1	Front head		1	3121 0154 00
2	Drill steel retainer		1	3121 0851 00
3	Spring pin		2	0108 3392 00
4	Retainer pin		1	3121 0852 00
5	Buffer plate		1	3121 0029 00
6	Buffer		1	3121 0030 00
7	Side bolt nut		2	3121 0872 00
8(9-11)	Rotation chuck set		1	
9	Rotation chuck		1	3121 0826 00
10	Rotation chuck bushing		1	3121 0824 00
11	Chuck nut		1	3115 1220 00
12	Intermediate part		1	3121 0751 00
13	Bushing		1	3121 0752 00
14(15-19)	Cylinder set		1	3121 0755 80
15	Cylinder		1	-
16	Washer		1	3121 0599 00
17	Pin		1	0101 1274 00
18	Spring pin		1	3115 1417 00
19	Plug		2	3121 0707 00
20(21-22)	Piston set		1	
21	Piston		1	3212 0767 00
22	Rifle nut		1	3121 0754 00
23	Bearing		1	3121 0756 00
24	Spring pin		1	0108 1319 00
25	Valve casing		1	3121 0757 00
26	Main valve		1	3121 0758 00
27	Valve cover		1	3121 0759 00
28	Spring pin		1	0108 1322 00
29	O-ring		2	0663 6120 00
30	Pipe		1	3121 0673 00
31	Rifle bar		1	3121 0626 00
32	Washer		1	3121 0627 00
33(34-36)	Pawl set		1	3115 9200 90
34	Pawl		4	3101 3159 00
35	Preassure spring		4	3100 9140 02
36	Pawl pin		4	3100 9641 01
37	Ratchet box		1	3121 0898 00
38(39-42)	Back head set		1	3121 0597 83
39	Back head		1	-
40	Guide ring		1	3121 0592 00
41	Stop screw		1	3121 0604 00
42	Valve pin		1	3121 0586 00
43(44-58)	Throttle valve set		1	3121 0489 81
44(45-46)	Throttle valve with Inlet plug		1	3121 0489 80
45	Throttle valve		1	-
46	Inlet plug		1	-
47	Pin		1	3121 0595 00
48	Ball		20	0517 1108 00
49	O-ring		1	0663 2128 00
50	Inlet nipple for air	25 mm (1")	1	3121 0521 00
51	Air strainer		1	3121 0513 00
52	O-ring		1	0663 2135 00
53	O-ring		3	0663 2132 00

No.	Description	Remark	Quantity	Part Number
54	Plug		1	3121 0493 00
55	Pin		1	0101 1274 00
56	Ratchet pin		1	3121 0490 00
57	Spring		1	3121 0491 00
58	Plug		1	3121 0492 00
59	Pin		1	3121 0595 00
60	Pin		1	3121 0558 00
61	Spring		1	3121 0564 00
62	Spring		1	3121 0737 00
63	Ball		1	0517 1414 00
64	Valve seat		1	3121 0736 00
65(66-72)	Valve housing set		1	3121 0495 81
66	Valve housing		1	-
67(68-69)	Valve body set		1	3121 0713 80
68	Valve body		1	-
69	O-ring		2	0663 2112 00
70	Preassure spring		1	3121 0497 00
71	O-ring		1	0663 2122 00
72	Plug		1	3121 0714 00
73	Water strainer		1	3121 0501 00
74	O-ring		2	0663 2125 00
75	Adapter		1	3121 0716 00
76	Packing		1	3100 9653 00
77	Adapter		1	3121 0857 00
78	Inlet nipple for water	12.5 mm (½")	1	3121 0854 00
79	Spring pin		1	0108 1298 00
80	O-ring		2	0663 6129 00
81	Flushing tube bushing		1	3121 0731 00
82	O-ring		1	0663 2132 00
83	Lever		1	3121 0557 00
84	O-ring		1	0663 2122 00
85	O-ring		1	0663 9184 00
86	Plug		1	3121 0585 00
87(88-90)	Valve set		1	3121 0726 80
88	Valve		1	-
89	Valve liner		1	-
90	O-ring		4	0663 2124 00
91	Spring		1	3121 0725 00
92	Washer		1	3121 0724 00
93	Valve pin		1	3121 0675 00
94	Packing		1	3000 0121 00
95	Air flushing tube		1	3121 0768 00
96	Guide ring		1	3121 0776 00
97	Packing		1	3100 9646 00
98	Water flushing tube		1	3121 0460 00
99	Nut		2	3121 0894 00
100	Side bolt		2	3121 0760 00
101	Handle		1	3121 0674 00
102	Wing nut		1	9000 0339 00
103	Adapter		1	3000 5825 03
104	Hose nipple	25 mm (1")	1	9000 0326 00
105	Data plate		1	3115 2718 00

# Accessories

## Accessories

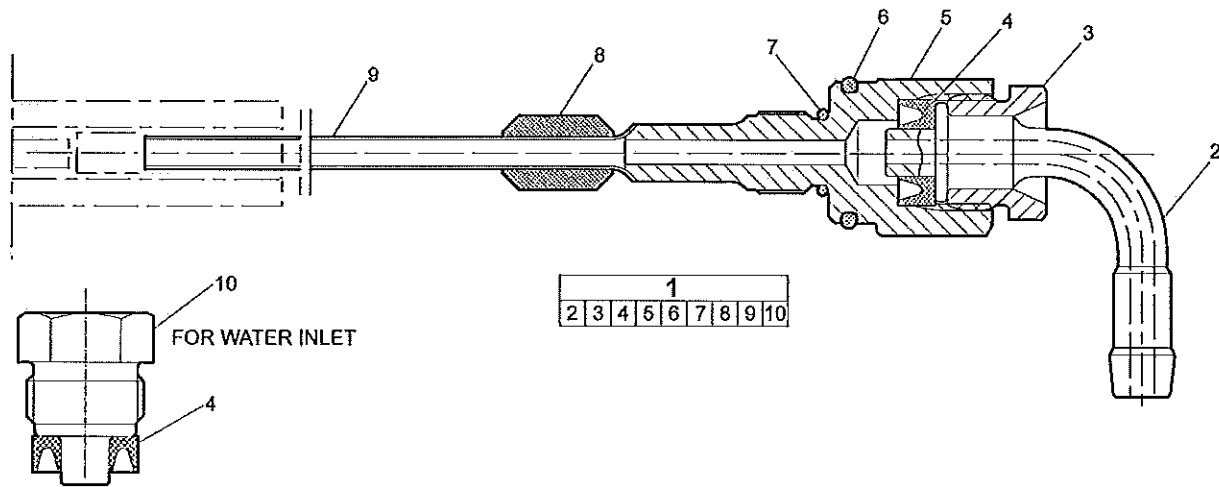
Description	Dimensions	Quantity	Part number
<b>Compressed air hose, fitted with couplings</b>	25 mm (1")	1	9030 2051 00
<b>Water flushing hose fitted with couplings</b>	12.5 mm (½")	1	9030 2069 00
<b>Lubricator</b>			
BLG 30, for mineral oil		1	8202 5102 05
CLG 30, for both mineral and synthetic oil		1	3128 2560 20
<b>Water separator</b>			
VAM 5A	airflow <120 l/s (254 cfm)	1	8092 0110 83
<b>Air line accessories for 25 mm (1")</b>			
Rubber hose	30 m	1	9030 2041 00
Claw coupling		1	9000 0313 00
Two-piece hose clamp		1	9000 0197 00
<b>Pressure gauge for compressed air and water pressure</b>			
Gauge		1	9090 0550 80
Extra needle set		1	9090 0678 90
<b>Chuck bushing gauge</b>	22 mm (¾") hexagon shank	1	9238 2707 90
<b>Anti vibration gloves</b>			
Size L		1	
Size XL		1	9800 0435 01

# Kits

## Seal kit - 3121 5000 91

Description	Dimensions	Quantity	Part number
Seal kit		1	3121 5000 91
O-ring		2	0663 2112 00
O-ring		2	0663 2122 00
O-ring		4	0663 2124 00
O-ring		2	0663 2125 00
O-ring		1	0663 2128 00
O-ring		7	0663 2132 00
O-ring		1	0663 2135 00
O-ring		2	0663 6120 00
O-ring		2	0663 6129 00
O-ring		1	0663 6140 00
O-ring		1	0663 9184 00
Rubber packing		1	3000 0121 00
Rubber packing		1	3100 9646 00
Gasket		1	3100 9653 00

## Conversion to air flushing kit - 3115 2785 90



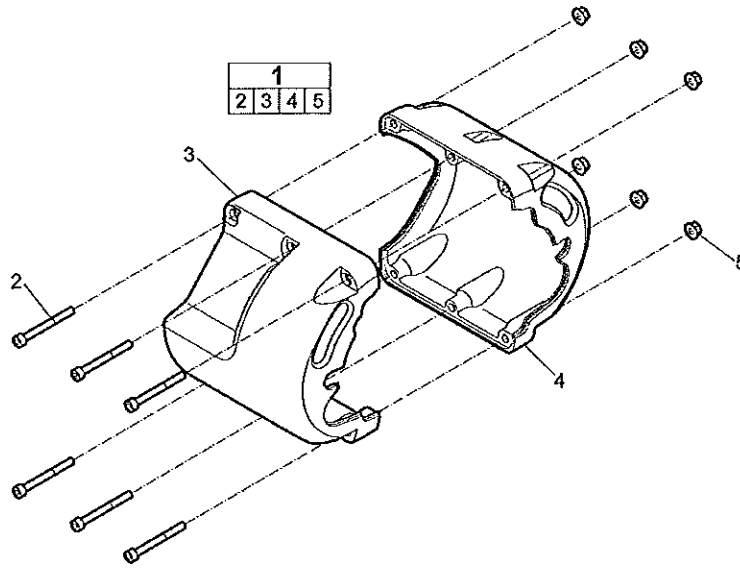
No.	Description	Remark	Quantity	Part Number
1(2-10)	Conversion to air flushing kit		1	3115 2785 90
2	Nipple		1	3121 0854 00
3	Adapter		1	3121 0857 00
4	Gasket		2	3100 9653 00
5	Adapter		1	3115 2785 00
6	O-ring		1	0663 9184 00
7	O-ring		1	0663 2122 00
8	Gasket		1	3121 0043 00
9	Flushing tube		1	3115 2784 00
10	Plug		1	3115 2786 00

## Side bolt kit - 3121 5000 27

Description	Dimensions	Quantity	Part number
Side bolt kit		1	3121 5000 27
Nut		2	3121 0872 00
Side bolt		2	3121 0760 00
Nut		2	3121 0894 00

CROWDER SUPPLY CO INC \* 8495 Roslyn St., Commerce City, CO 80022 \* 303.433.5144 FAX: 303.433.3928 TOLL FREE: 888.883.5144 \* WWW.CROWDERSUPPLY.COM

# Silencer kit - 3121 5000 41



No.	Description	Remark	Quantity	Part Number
1(2-5)	Silencer kit		1	3121 5000 41
2	Screw		6	0211 1256 00
3	Silencer half, right		1	3121 5000 39
4	Silencer half, left		1	3121 5000 38
5	Flange nut		6	9232 0207 50

CROWDER SUPPLY CO INC \* 8495 Roslyn St., Commerce City, CO 80022 \* 303.433.5144 FAX: 303.433.3928 TOLL FREE: 888.883.5144 \* WWW.CROWDERSUPPLY.COM