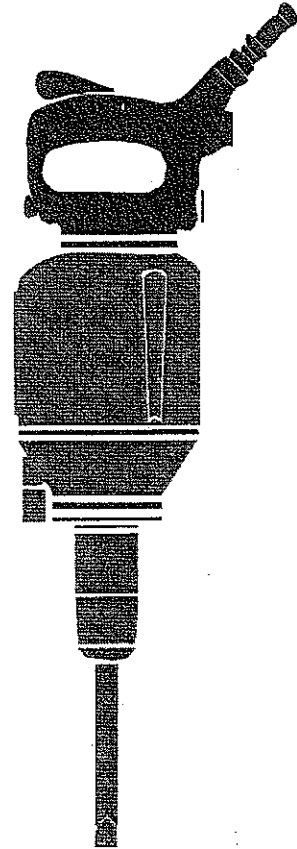


BBD

12D, 12DS, 12DCS

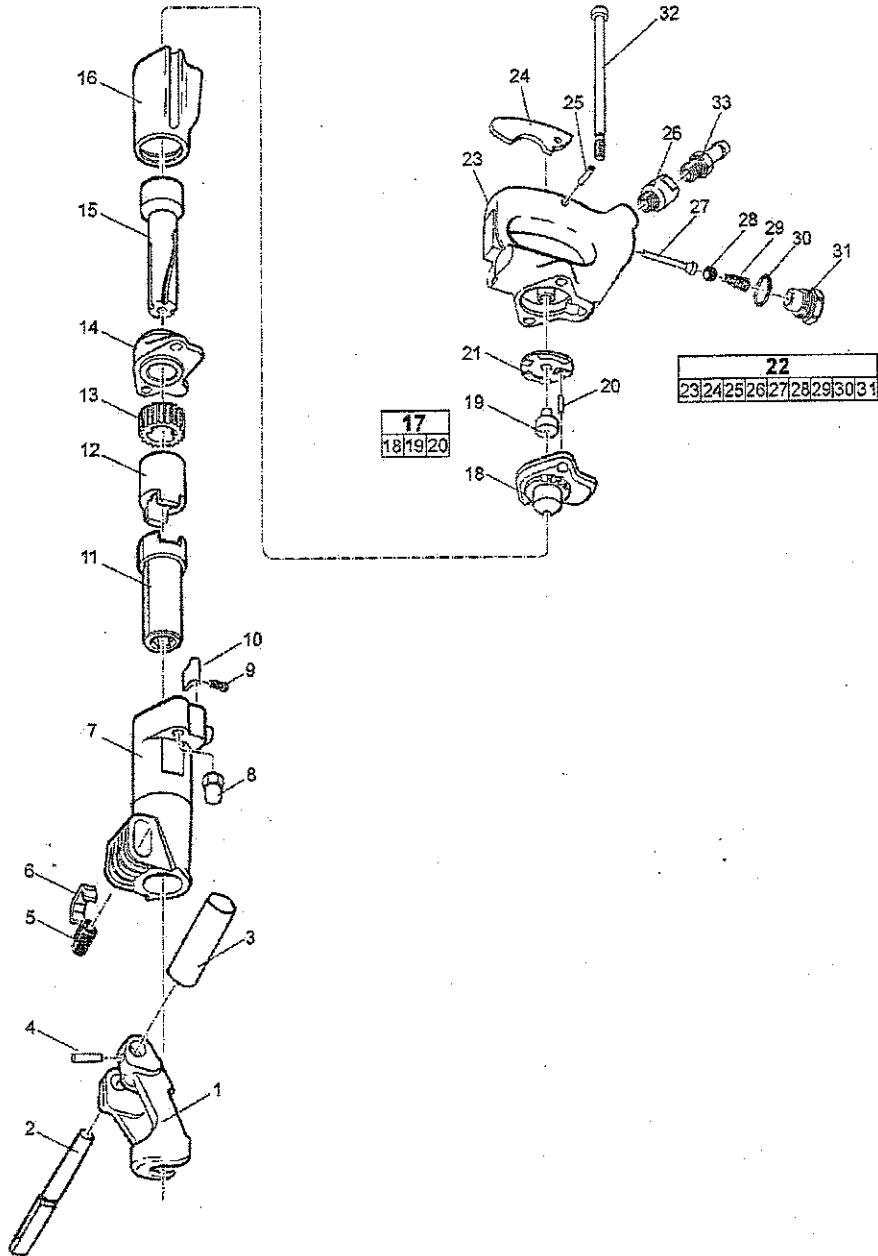
Spare parts list Handheld pneumatic drills



CROWDER SUPPLY COMPANY 8495 ROSLYN ST, COMMERCE CITY, COLORADO 80022 TOLL FREE 888-883-5144 WWW.CROWDERSUPPLY.COM

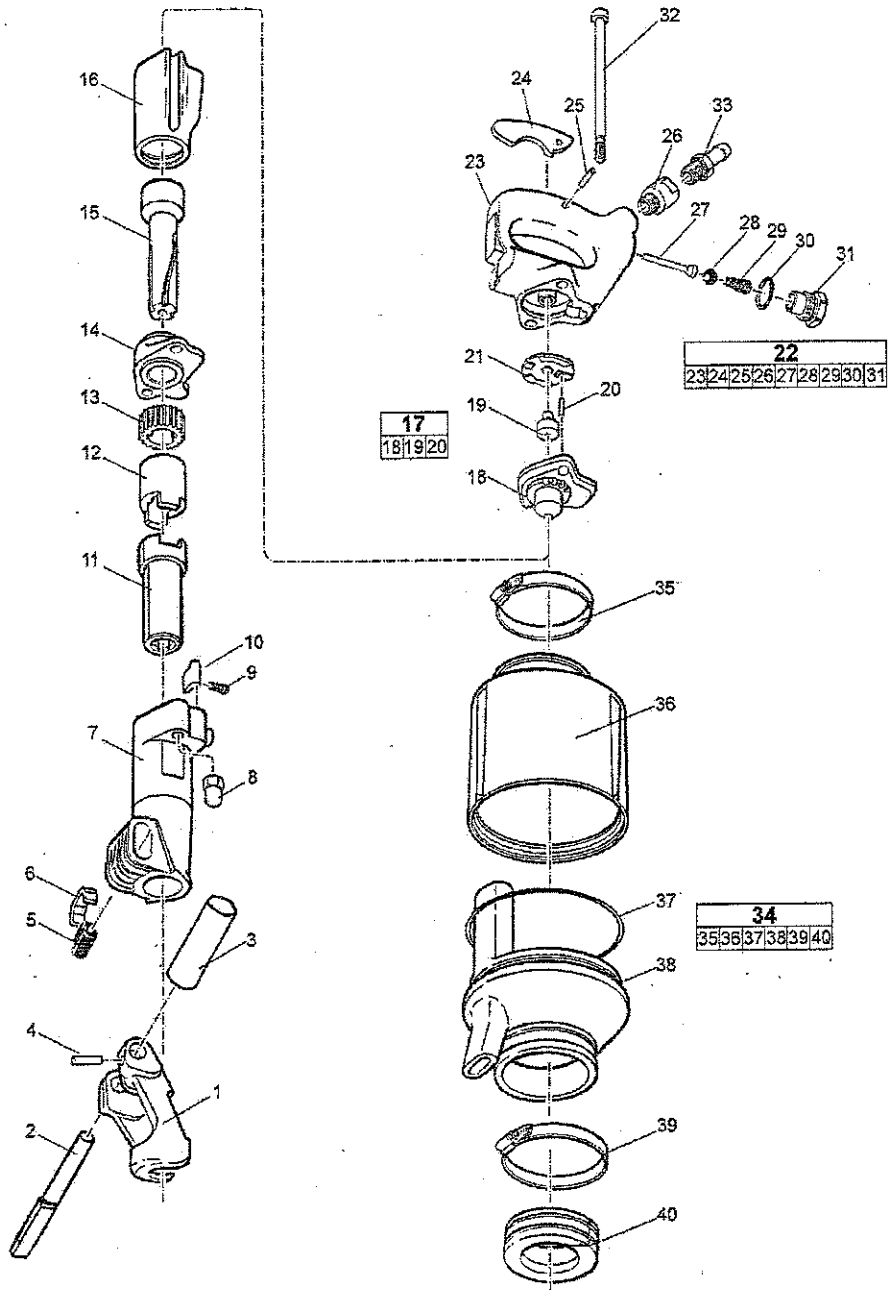
Spare parts list

BBD 12D



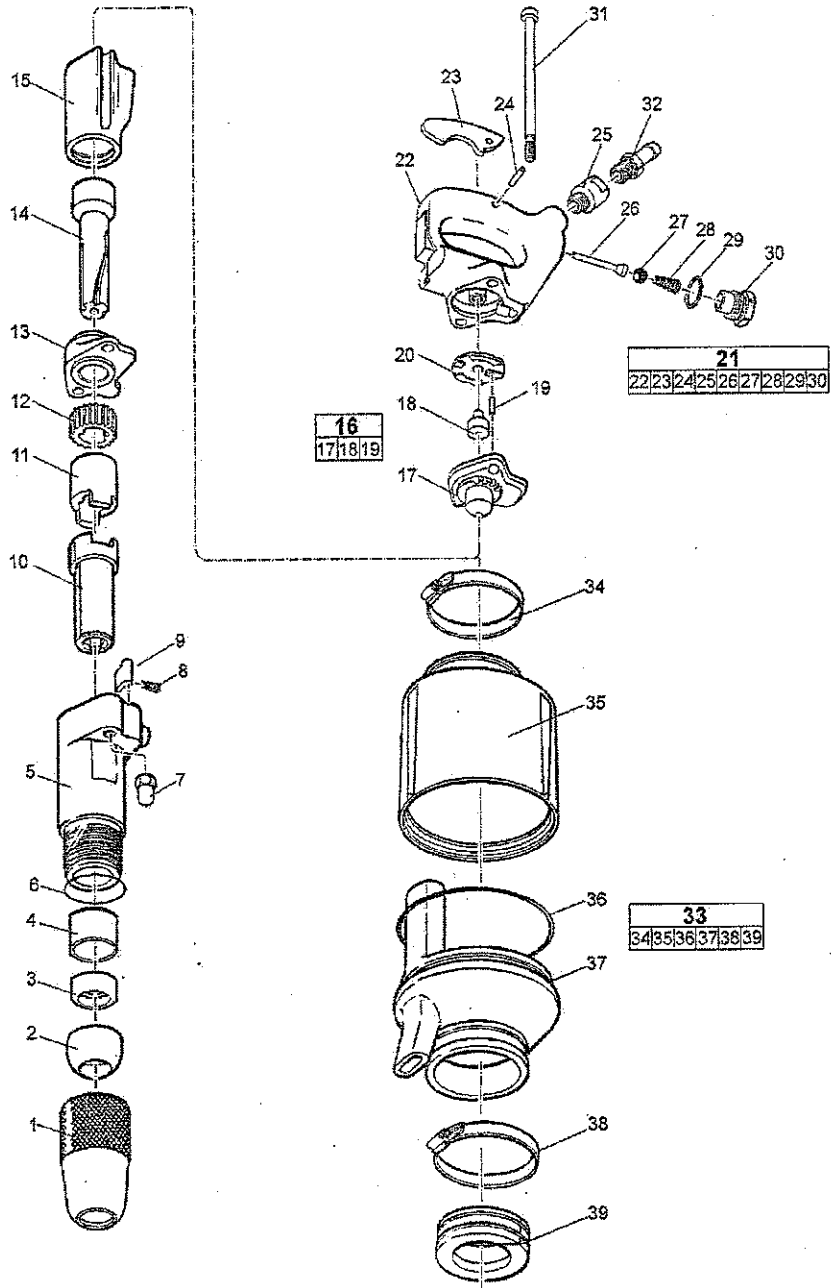
No.	Description	Remark	Quantity	Part number
1	Drill retainer		1	3115 2475 00
2	Retainer pin		1	3115 2480 00
3	Sleeve		1	3115 2481 00
4	Slotted spring pin		1	0108 1359 00
5	Rubber buffer		1	3111 0057 00
6	Buffer plate		1	3111 0056 00
7	Front head		1	3111 0053 00
8	Cap nut		2	3111 0031 00
9	Conical spring		2	3111 0023 00
10	Pawl		2	3111 0020 00
11	Drill chuck	19 x 108 mm (¾" x 4¼")	1	3111 0051 00
12	Driver		1	3111 0024 00
13	Ratchet wheel		1	3111 0019 00
14	Intermediate part		1	3111 0017 00
15	Piston		1	3111 0016 00
16	Cylinder		1	3111 0015 00
17(18-20)	Cover, complete		1	3111 0013 80
18	Cover		1	
19	Guide pin		1	3111 0014 00
20	Pin		1	0108 3244 00
21	Main valve		1	3111 0012 00
22(23-31)	Handle, complete		1	3115 2483 80
23	Handle		1	-
24	Trigger		1	3111 0002 00
25	Pin		1	0108 1327 00
26	Nut		1	6510 0143 00
27	Valve pin		1	3111 0003 00
28	Rubber ball		1	3111 0196 00
29	Conical spring		1	3111 0004 00
30	Washer		1	3111 0010 00
31	Ball retainer		1	3111 0005 00
32	Side bolt		2	3111 0197 00
33	Hose nipple	12.5 mm (½")	1	9000 0243 00

BBD 12DS



No.	Description	Remark	Quantity	Part number
1	Drill retainer		1	3115 2475 00
2	Retainer pin		1	3115 2480 00
3	Sleeve		1	3115 2481 00
4	Slotted spring pin		1	0108 1359 00
5	Rubber buffer		1	3111 0057 00
6	Buffer plate		1	3111 0056 00
7	Front head		1	3111 0053 00
8	Cap nut		2	3111 0031 00
9	Conical spring		2	3111 0023 00
10	Pawl		2	3111 0020 00
11	Drill chuck	19 x 108 mm (¾" x 4¼")	1	3111 0051 00
12	Driver		1	3111 0024 00
13	Ratchet wheel		1	3111 0019 00
14	Intermediate part		1	3111 0017 00
15	Piston		1	3111 0016 00
16	Cylinder		1	3111 0015 00
17(18-20)	Cover, complete		1	3111 0013 80
18	Cover		1	-
19	Guide pin		1	3111 0014 00
20	Pin		1	0108 3241 00
21	Main valve		1	3111 0012 00
22(23-31)	Handle, complete		1	3115 2483 80
23	Handle		1	-
24	Trigger		1	3111 0002 00
25	Pin		1	0108 1327 00
26	Nut		1	3510 0143 00
27	Valve pin		1	3111 0003 00
28	Rubber ball		1	3111 0196 00
29	Conical spring		1	3111 0004 00
30	Washer		1	3111 0010 00
31	Ball retainer		1	3111 0005 00
32	Side bolt		2	3111 0197 00
33	Hose nipple	12.5 mm (½")	1	9000 0243 00
34(35-40)	Silencer, complete		1	3115 2487 80
35	Hose clamp		1	0347 6117 00
36	Silencer	Upper part	1	3115 2487 00
37	O-ring		1	0663 6151 00
38	Silencer	Lower part	1	3115 0772 00
39	Hose clamp		1	0347 6116 00
40	Bushing		1	3115 0773 00

BBD 12DCS



No.	Description	Remark	Quantity	Part number
1	Drill retainer		1	3121 5000 33
2	Buffer		1	3115 1250 00
3	Stop ring		1	3111 0028 00
4	Sleeve		1	3115 1249 00
5	Front head		1	3121 5000 34
6	O-ring		1	0663 2134 00
7	Cap nut		2	3111 0031 00
8	Conical spring		2	3111 0023 00
9	Pawl		2	3111 0020 00
10	Drill chuck	19 x 108 mm (3/4" x 4 1/4")	1	3111 0051 00
11	Driver		1	3111 0024 00
12	Ratchet wheel		1	3111 0019 00
13	Intermediate part		1	3111 0017 00
14	Piston		1	3111 0016 00
15	Cylinder		1	3111 0015 00
16(17-19)	Cover, complete		1	3111 0013 80
17	Cover		1	-
18	Guide pin		1	3111 0014 00
19	Pin		1	0108 3241 00
20	Main valve		1	3111 0012 00
21(22-30)	Handle, complete		1	3115 2483 80
22	Handle		1	-
23	Trigger		1	3111 0002 00
24	Pin		1	0108 3327 00
25	Nut		1	3510 0143 00
26	Valve pin		1	3111 0003 00
27	Rubber ball		1	3111 0196 00
28	Conical spring		1	3111 0004 00
29	Washer		1	3111 0010 00
30	Ball retainer		1	3111 0005 00
31	Side bolt		2	3111 0197 00
32	Hose nipple	12.5 mm (1/2")	1	9000 0243 00
33(34-39)	Silencer, complete		1	3115 2487 80
34	Hose clamp		1	0347 6117 00
35	Silencer	Upper part	1	3115 2487 00
36	O-ring		1	0663 6151 00
37	Silencer	Lower part	1	3115 0772 00
38	Hose clamp		1	0347 6116 00
39	Bushing		1	3115 0773 00

Accessories

Accessories

Description	Remark	Quantity	Part number
Round rubber hoses			
Pre-mounted hose fitted with coupling and hose clamp	European type, 12.5 mm (½")	1	9030 2066 00
Pre-mounted hose fitted with coupling and hose clamp	US type, 12.5 mm (½")	1	9030 2064 00
Pre-mounted hose fitted with coupling and hose clamp	16 mm (¾")	1	9030 2046 00
Lubricator			
CLG 30, for both mineral and synthetic oil	European type	1	8202 5102 40
CLG 30, for both mineral and synthetic oil	US type	1	8202 5102 40
Water separator			
VAM 01 - European type	airflow <50% (106 cfm)	1	8092 0110 58
VAM 01 - US type	airflow <50% (106 cfm)	1	8092 0110 59

Optional equipment

Description	Remark	Quantity	Part number
Drill chuck	22 x 108 mm (⅞" x 4¼")	1	3111 0066 00
Hose nipple	16 mm (¾")	1	9000 0244 00

Rock drill AIR-OIL

Description	Remark	Quantity	Part number
Rock drill AIR-OIL	1 l (0.22 gallon)	1	8099 0201 01
Rock drill AIR-OIL	1 l (0.22 gallon)	12	8099 0201 81
Rock drill AIR-OIL	4 l (0.88 gallon)	1	8099 0201 04
Rock drill AIR-OIL	4 l (0.88 gallon)	4	8099 0201 84
Rock drill AIR-OIL	10 l (2.2 gallon)	1	8099 0201 10
Rock drill AIR-OIL	208 l Drum (48 gallon)	1	8099 0201 28

Kits

Pawl kit - 3115 9202 90

Description	Remark	Quantity	Part number
Pawl kit		1	3115 9202 90
Pawl		2	3111 0020 00
Conical spring		2	3111 0023 00

CROWDER SUPPLY COMPANY 8495 ROSLYN ST, COMMERCE CITY, COLORADO 80022 TOLL FREE 888-883-5144 WWW.CROWDERSUPPLY.COM