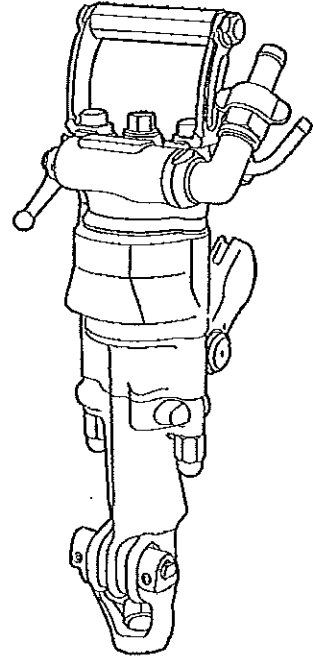


BBD

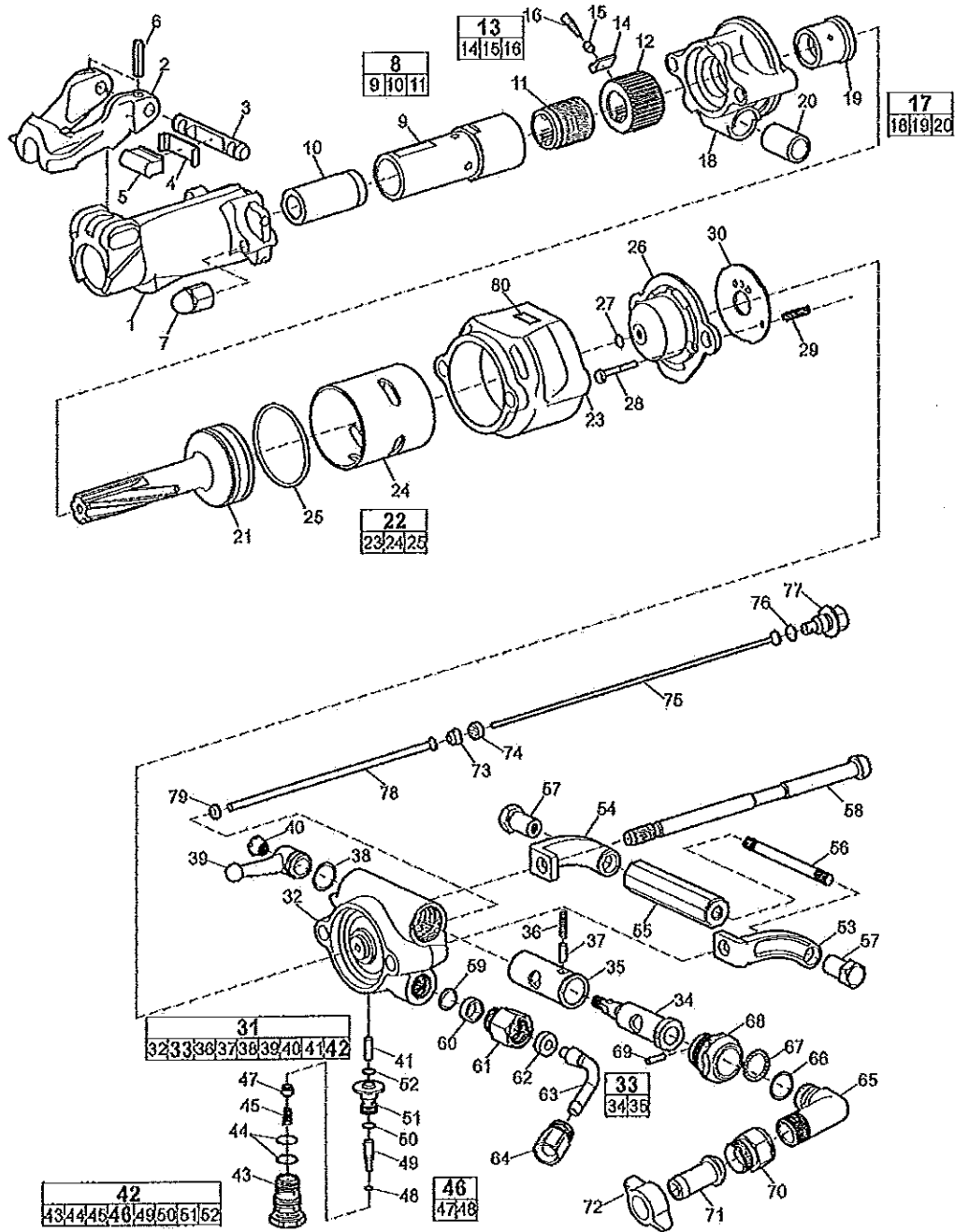
94W, 94WS, 94WE

Spare parts list Pusher leg rockdrills



Spare parts list

BBD 94W



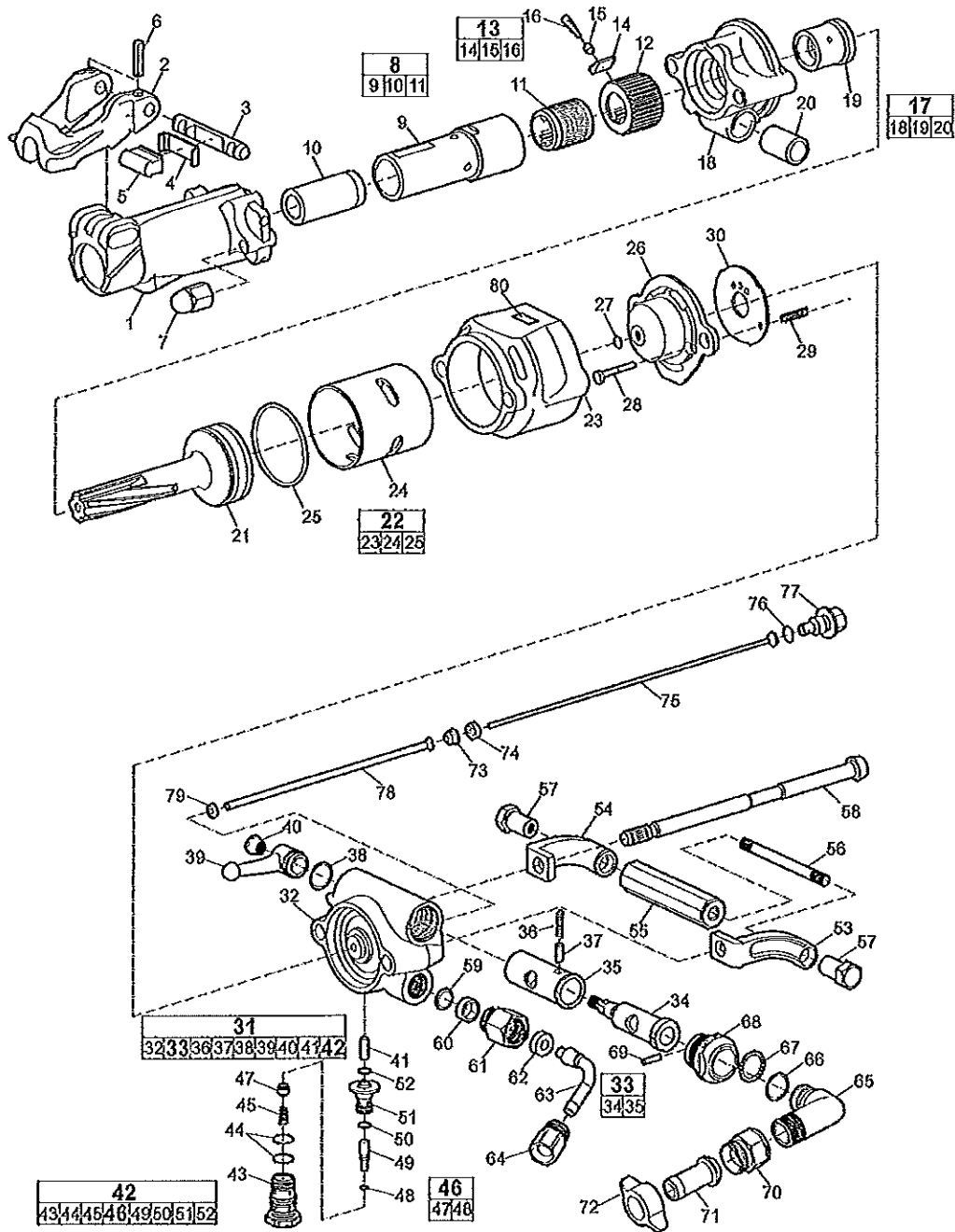
No.	Description	Remark	Quantity	Part number
1	Front head		1	3121 0583 00
2	Drill steel retainer		1	3121 0851 00
3	Retainer pin		1	3121 0852 00
4	Buffer plate		1	3121 0029 00
5	Buffer		1	3121 0030 00
6	Spring pin		2	0108 3392 00
7	Side bolt nut		2	3121 0872 00
8(9-11)	Rotation chuck, complete		1	3121 0892 80
9	Rotation chuck	22 mm (7/8")	1	-
10	Rotation chuck bushing	22 x 108 mm (7/8" x 4 1/4")	1	3121 0846 00
11	Chuck nut	22 mm (7/8")	1	3115 1313 00
12	Ratchet wheel		1	3115 3160 00
13(14-16)	Pawl, complete		1	3115 9201 80
14	Pawl		4	3101 3169 00
15	Pawl pin		4	3121 0021 00
16	Pawl spring		4	3121 0020 00
17(18-20)	Intermediate part, complete		1	3121 0580 80
18	Intermediate part		1	-
19	Bushing		1	3121 0581 00
20	Bushing		1	3121 0582 00
21	Piston		1	3115 1684 00
22(23-26)	Cylinder, complete		1	3121 0577 80
23	Cylinder		1	-
24	Cylinder liner		1	3121 0620 00
25	O-ring		1	0663 6142 00
26	Cover		1	3121 0576 01
27	O-ring		1	0663 2114 00
28	Guide pin		1	3121 0900 00
29	Pressure spring		1	3121 0901 00
30	Main valve		1	3121 0689 00
31(32-52)	Back head, complete		1	3121 0571 81
32	Back head		1	-
33(34-35)	Throttle valve, complete		1	3121 0572 80
34	Throttle valve		1	-
35	Valve liner		1	3121 0573 00
36	Coil spring		1	3131 0107 00
37	Pawl pin		1	3121 0127 00
38	O-ring		1	0663 2128 00
39	Lever		1	3141 0001 00
40	Conical nut		1	3006 8734 00
41	Valve pin		1	3121 0574 00
42(43-52)	Valve housing, complete		1	3121 0551 80
43	Valve housing		1	-
44	O-ring		2	0663 2126 00
45	Conical spring		1	3100 9240 21
46(47-48)	Valve body, complete		1	3115 0982 80
47	Valve body		1	-
48	O-ring		1	0663 2112 00
49	Valve pin		1	3121 0553 00
50	O-ring		1	0663 2120 00
51	Valve seat		1	3121 0552 00
52	O-ring		1	0663 2120 00
53	Handle bracket	Left	1	3121 0884 00

Spare parts list

BBD 94W, 94WS, 94WE

No.	Description	Remark	Quantity	Part number
54	Handle bracket	Right	1	3121 0885 00
55	Handle grp		1	3121 0887 00
56	Stud		1	0246 1302 00
57	Nut		2	3121 0883 00
58	Side bolt		2	3121 0679 00
59	Strainer		1	3121 0501 00
60	Packing		1	3121 0546 00
61	Adapter		1	3121 0010 00
62	Rubber packing		1	3100 9653 00
63	Hose nipple	12.5 mm (1/2")	1	3100 9654 00
64	Adapter		1	3100 9652 00
65	Inlet nipple		1	3121 0521 00
66	O-ring		1	0663 2128 00
67	Ball		20	0517 1108 00
68	Adapter		1	3121 0550 00
69	Pin		1	3121 0595 00
70	Adapter		1	3000 5825 03
71	Hose nipple	25 mm (1")	1	8000 0326 00
72	Wing nut		1	8000 0339 00
73	Guide ring		1	3121 0776 00
74	Washer		1	3100 9646 00
75	Water flushing tube		1	3121 0433 00
76	O-ring		1	0663 2125 00
77	Adapter		1	3121 0575 00
78	Air flushing tube		1	3121 0106 00
79	Packing		1	3000 0121 00
80	Data plate		1	

BBD 94WS



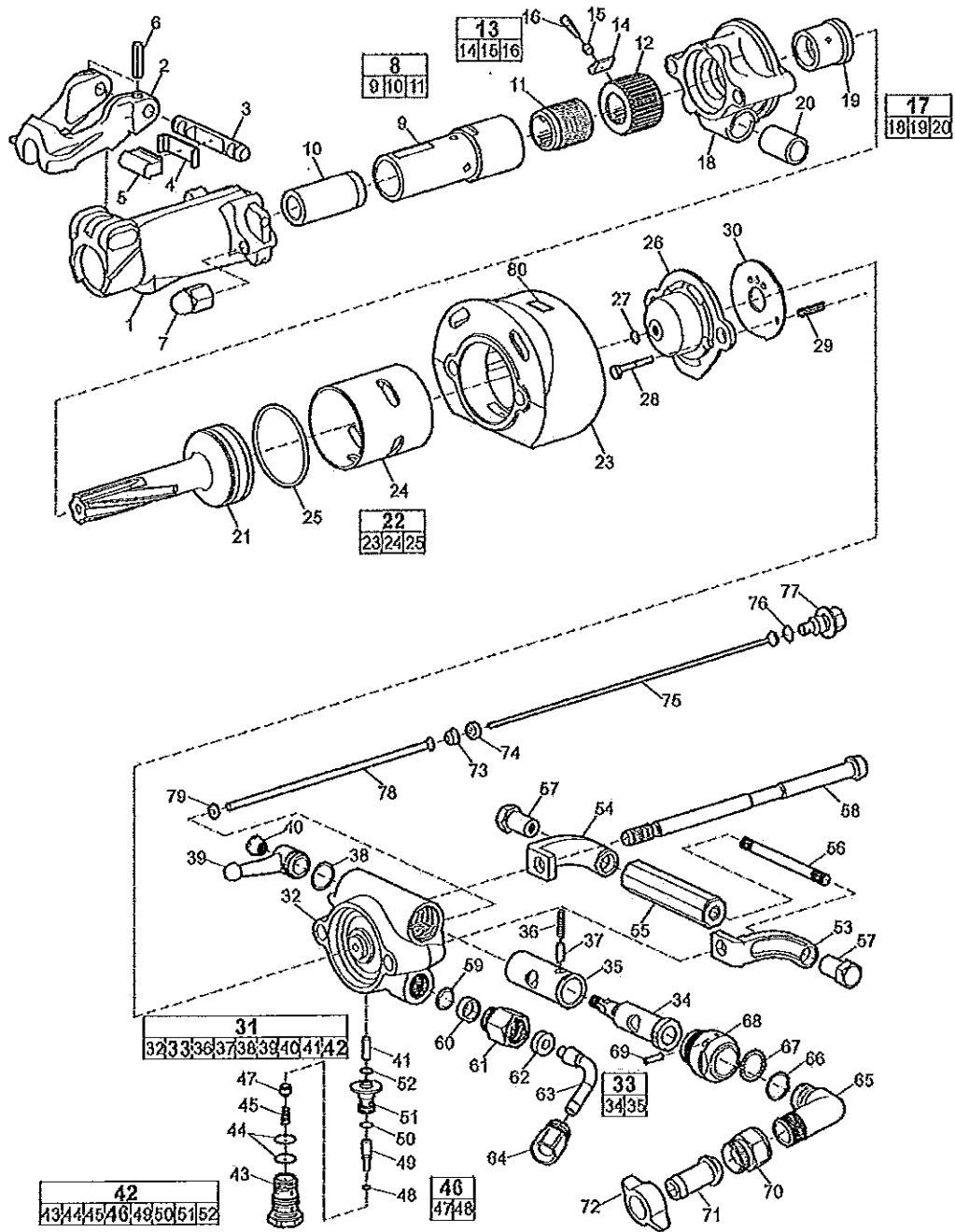
No.	Description	Remark	Quantity	Part number
1	Front head		1	3121 0583 00
2	Drill steel retainer		1	3121 0851 00
3	Retainer pin		1	3121 0852 00
4	Buffer plate		1	3121 0029 00
5	Buffer		1	3121 0030 00
6	Spring pin		2	0108 3392 00
7	Side bolt nut		2	3121 0872 00
8(9-11)	Rotation chuck, complete		1	3121 0882 80
9	Rotation chuck	22 mm (7/8")	1	-
10	Rotation chuck bushing	22 x 108 mm (7/8" x 4 1/4")	1	3121 0846 00
11	Chuck nut	22 mm (7/8")	1	3115 1313 00
12	Ratchet wheel		1	3115 3160 00
13(14-16)	Pawl, complete		1	3115 9201 80
14	Pawl		4	3101 3159 00
15	Pawl pin		4	3121 0021 00
16	Pawl spring		4	3121 0020 00
17(18-20)	Intermediate part, complete		1	3121 0580 80
18	Intermediate part		1	-
19	Bushing		1	3121 0581 00
20	Bushing		1	3121 0582 00
21	Piston		1	3115 1694 00
22(23-25)	Cylinder, complete		1	3115 3130 80
23	Cylinder		1	-
24	Cylinder liner		1	3121 0620 00
25	O-ring		1	0663 6142 00
26	O-ring		1	0663 6142 00
28	Cover		1	3121 0576 01
27	O-ring		1	0663 2114 00
28	Guide pin		1	3121 0800 00
29	Pressure spring		1	3121 0901 00
30	Main valve		1	3121 0689 00
31(32-52)	Back head, complete		1	3121 0571 82
32	Back head		1	-
33(34-36)	Throttle valve, complete		1	3121 0572 81
34	Throttle valve		1	-
35	Valve liner		1	3121 0573 00
36	Coil spring		1	3131 0107 00
37	Pawl pin		1	3121 0127 00
38	O-ring		1	0663 2128 00
39	Lever		1	3141 0001 00
40	Conical nut		1	3008 8734 00
41	Valve pin		1	3121 0574 00
42(43-52)	Valve housing, complete		1	3121 0551 80
43	Valve housing		1	-
44	O-ring		2	0663 2126 00
45	Conical spring		1	3100 9240 21
46(47-48)	Valve body, complete		1	3115 0982 80
47	Valve body		1	-
48	O-ring		1	0663 2112 00
49	Valve pin		1	3121 0553 00
50	O-ring		1	0663 2120 00
51	Valve seat		1	3121 0552 00
52	O-ring		1	0663 2120 00
53	Handle bracket	Left	1	3121 0884 00

Spare parts list

BBD 94W, 94WS, 94WE

No.	Description	Remark	Quantity	Part number
54	Handle bracket	Right	1	3121 0885 00
55	Handle grip		1	3121 0887 00
56	Slud		1	0246 1302 00
57	Nut		2	3121 0883 00
58	Side bolt		2	3121 0879 00
59	Strainer		1	3121 0501 00
60	Packing		1	3121 0545 00
61	Adapter		1	3121 0010 00
62	Rubber packing		1	3100 9653 00
63	Hose nipple	12.5 mm (1/2")	1	3100 9654 00
64	Adapter		1	3100 9652 00
65	Inlet nipple		1	3121 0521 00
66	O-ring		1	0663 2128 00
67	Ball		20	0517 1108 00
68	Adapter		1	3121 0550 00
69	Pin		1	3121 0598 00
70	Adapter		1	3000 6826 03
71	Hose nipple	25 mm (1")	1	9000 0326 00
72	Wing nut		1	9000 0339 00
73	Guide ring		1	3121 0776 00
74	Washer		1	3100 9646 00
75	Water flushing tube		1	3121 0433 00
76	O-ring		1	0663 2125 00
77	Adapter		1	3121 0575 00
78	Air flushing tube		1	3121 0106 00
79	Packing		1	3000 0121 00
80	Data plate		1	

BBD 94WE



No.	Description	Remark	Quantity	Part number
1	Front head		1	3121 0583 00
2	Drill steel retainer		1	3121 0851 00
3	Retainer pin		1	3121 0852 00
4	Buffer plate		1	3121 0029 00
5	Buffer		1	3121 0030 00
6	Spring pin		2	0108 3392 00
7	Side bolt nut		2	3121 0872 00
8(9-11)	Rotation chuck, complete		1	3121 0882 80
9	Rotation chuck	22 mm (7/8")	1	-
10	Rotation chuck bushing	22 x 108 mm (7/8" x 4 1/4")	1	3121 0846 00
11	Chuck nut	22 mm (7/8")	1	3115 1313 00
12	Ratchet wheel		1	3115 3160 00
13(14-16)	Pawl, complete		1	3115 9201 90
14	Pawl		4	3101 3159 00
15	Pawl pin		4	3121 0021 00
16	Pawl spring		4	3121 0020 00
17(18-20)	Intermediate part, complete		1	3121 0580 80
18	Intermediate part		1	-
19	Bushing		1	3121 0581 00
20	Bushing		1	3121 0582 00
21	Piston		1	3115 1694 00
22(23-25)	Cylinder, complete		1	3121 5000 36
23	Cylinder		1	-
24	Cylinder liner		1	3121 0620 00
25	O-ring		1	0663 6142 00
26	Cover		1	3121 0576 01
27	O-ring		1	0663 2114 00
28	Guide pin		1	3121 0900 00
29	Pressure spring		1	3121 0901 00
30	Main valve		1	3121 0699 00
31(32-52)	Back head, complete		1	3121 0571 81
32	Back head		1	-
33(34-35)	Throttle valve, complete		1	3121 0572 80
34	Throttle valve		1	-
35	Valve liner		1	3121 0573 00
36	Coil spring		1	3131 0107 00
37	Pawl pin		1	3121 0127 00
38	O-ring		1	0663 2128 00
39	Lever		1	3141 0001 00
40	Conical nut		1	3006 8734 00
41	Valve pin		1	3121 0574 00
42(43-52)	Valve housing, complete		1	3121 0551 80
43	Valve housing		1	-
44	O-ring		2	0663 2128 00
45	Conical spring		1	3100 9240 21
46(47-48)	Valve body, complete		1	3115 0982 80
47	Valve body		1	-
48	O-ring		1	0663 2112 00
49	Valve pin		1	3121 0553 00
50	O-ring		1	0663 2120 00
51	Valve seat		1	3121 0552 00
52	O-ring		1	0663 2120 00
53	Handle bracket	Left	1	3121 0884 00

Spare parts list

BBD 94W, 94WS, 94WE

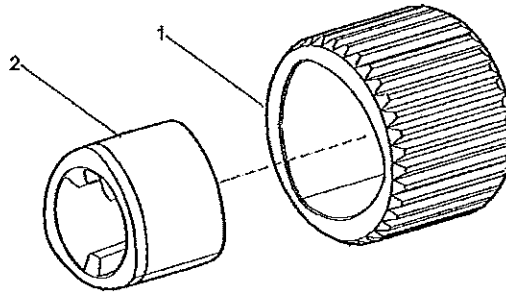
No.	Description	Remark	Quantity	Part number
54	Handle bracket	Right	1	3121 0885 00
55	Handle grip		1	3121 0887 00
56	Stud		1	0246 1302 00
57	Nut		2	3121 0883 00
58	Side bolt		2	3121 0679 00
59	Strainer		1	3121 0501 00
60	Packing		1	3121 0545 00
61	Adapter		1	3121 0010 00
62	Rubber packing		1	3100 9653 00
63	Hose nipple	12.5 mm (1/2")	1	3100 9654 00
64	Adapter		1	3100 9662 00
65	Inlet nipple		1	3121 0521 00
66	O-ring		1	0663 2128 00
67	Ball		20	0517 1108 00
68	Adapter		1	3121 0550 01
69	Pin		1	3121 0595 00
70	Adapter		1	3000 5825 03
71	Hose nipple	25 mm (1")	1	9000 0326 00
72	Wing nut		1	9000 0339 00
73	Guldo ring		1	3121 0776 00
74	Washer		1	3100 9646 00
75	Water flushing tube		1	3121 0433 00
76	O-ring		1	0663 2125 00
77	Adapter		1	3121 0575 00
78	Air flushing tube		1	3121 0106 00
79	Packing		1	3000 0121 00
80	Data plate		1	

Accessories

Accessories

Description	Remark	Quantity	Part number
Compressed air hose for rock drill feed, fitted with couplings	25 mm (1") x 3 m (10 ft)	1	9030 2068 00
Water flushing hose fitted with couplings	12.5 mm (1/2")	1	9030 2069 00
Lubricator			
BLG 30, for mineral oil		1	8202 5102 05
CLG 30, for both mineral and synthetic oil		1	8202 5102 39
Water separator			
VAM 5A	airflow ≤120 l/s (254 cfm)	1	8092 0110 82
Air line accessories for 25 mm (1")			
Rubber hose	30 m	1	9030 2041 00
Claw coupling		1	9000 0313 00
Two-piece hose clamp		1	9000 0187 00
Pressure gauge for compressed air and water pressure			
Gauge		1	9090 0550 80
Extra needle set		1	9090 0678 90
Gluck bushing gauge	22 mm (7/8") hexagon shank	1	3091 0038 00

Optional equipment



No.	Description	Remark	Quantity	Part number
1	Ratchet wheel		1	3115 1837 00
2	Rife nut		1	3115 1838 00

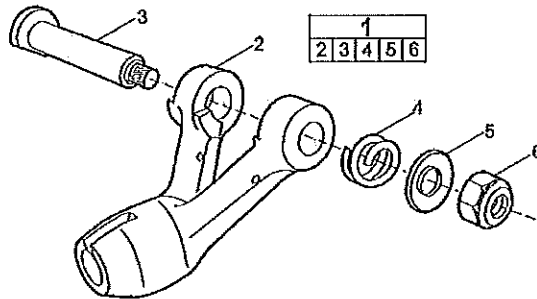
Kits

Seal kit - 3121 5000 92

Description	Remark	Quantity	Part number
Seal kit		1	3121 5000 92
O-ring		1	0663 2112 00
O-ring		1	0663 2114 00
O-ring		2	0663 2120 00
O-ring		1	0663 2125 00
O-ring		2	0663 2126 00
O-ring		2	0663 2128 00
O-ring		1	0663 6142 00
Rubber packing		1	3000 0121 00
Rubber packing		1	3100 9646 00
Gasket		1	3100 9653 00
Valve kit		1	3115 0982 80
Valve		1	-
O-ring		1	0663 2112 00
Gasket		1	3121 0545 00

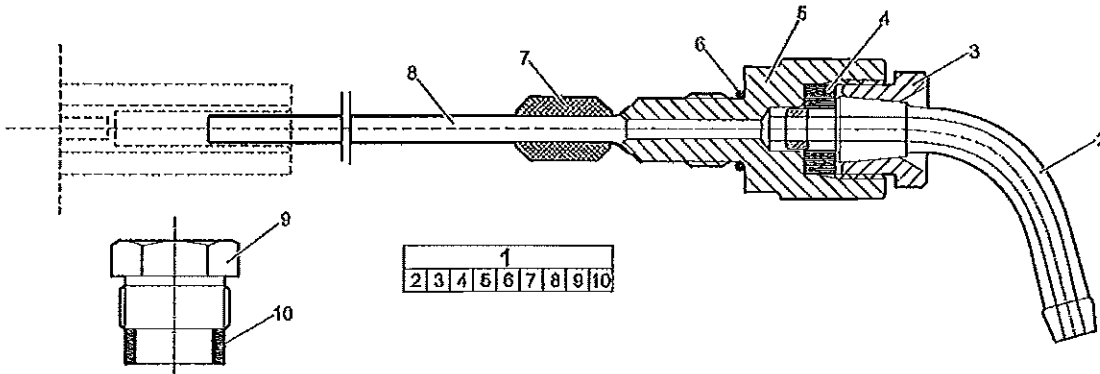
Machine attachment kit - 3122 0391 80

For: ALF 72D
 ALF 72D-1
 ALF 67/80D



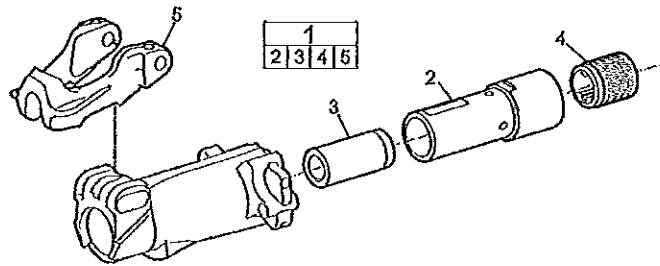
No.	Description	Remark	Quantity	Part number
1(2-6)	Machine attachment kit		1	3122 0391 80
2	Machine attachment		1	-
3	Bolt		1	3122 0392 00
4	Spring		1	3111 0136 00
5	Washer		1	0301 2378 00
6	Lock nut		1	0291 1128 25

Conversion to air flushing kit - 3115 2878 90



No.	Description	Remark	Quantity	Part number
1(2-10)	Conversion to air flushing kit		1	3115 2878 90
2	Nipple		1	3100 9654 00
3	Adapter		1	3100 9652 00
4	Gasket		1	3100 9653 00
5	Adapter		1	3121 0805 00
6	O-ring		1	0663 2125 00
7	Gasket		1	3121 0043 00
8	Flushing tube		1	3115 2878 00
9	Plug		1	3100 9496 00
10	Gasket		1	3121 0545 00

25 x 108 conversion kit - 3121 0882 83



No.	Description	Remark	Quantity	Part number
1(2-5)	25 x 108 conversion kit		1	3121 0882 83
2	Rotation chuck	7/8"	1	3121 0882 00
3	Rotation chuck bushing	1"	1	3131 0026 00
4	Chuck nut	7/8"	1	3115 1313 00
5	Drill steel retainer	1"	1	3121 0888 00

Side bolt kit - 3121 5000 29

Description	Remark	Quantity	Part number
Side bolt kit		1	3121 5000 29
Nut		2	3121 0872 00
Side bolt		2	3121 0679 00