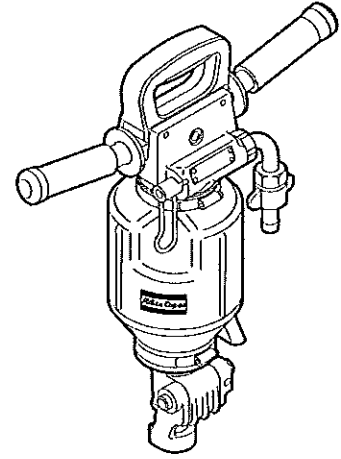


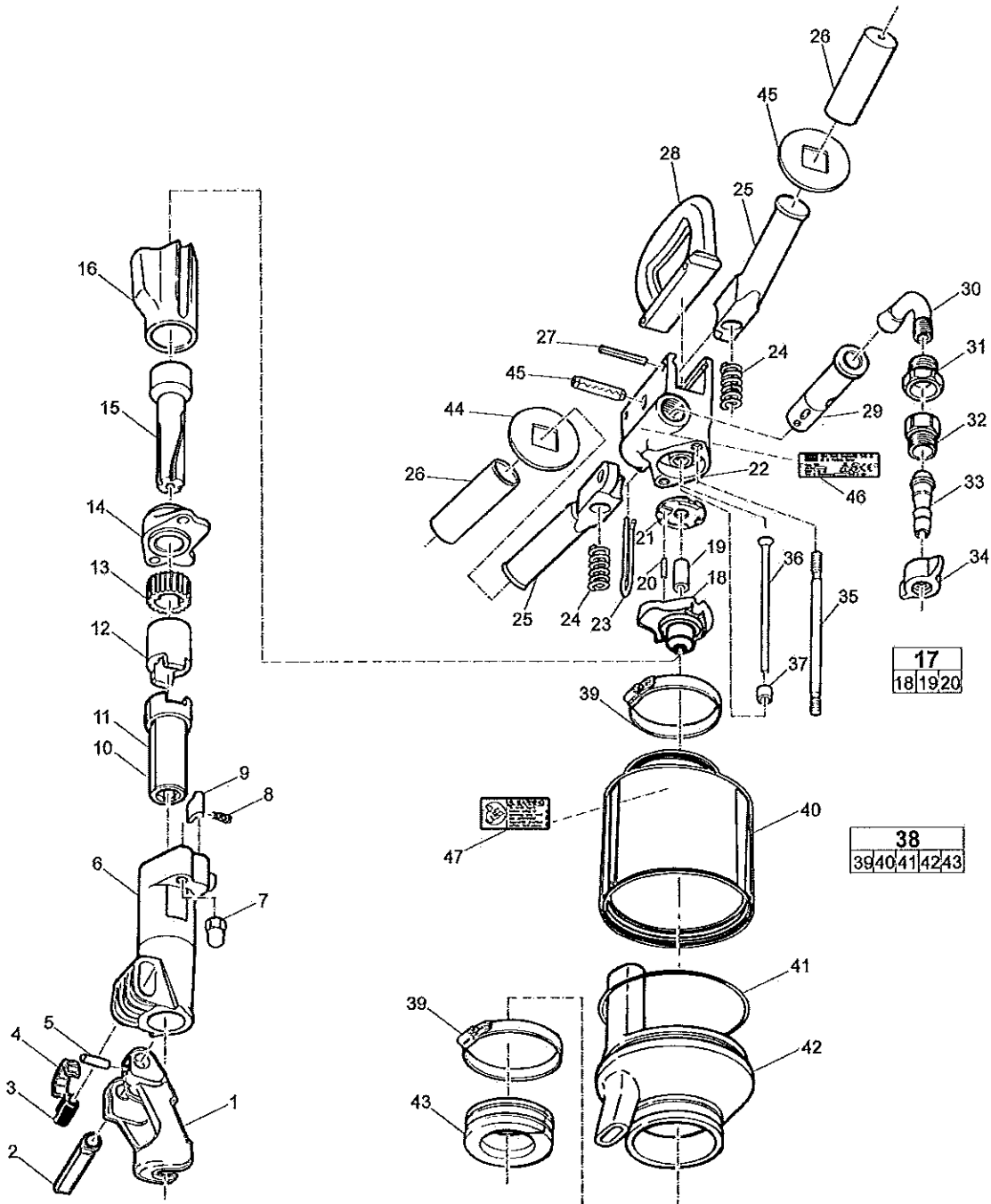
Spare parts list

Rock drills



Spare parts list

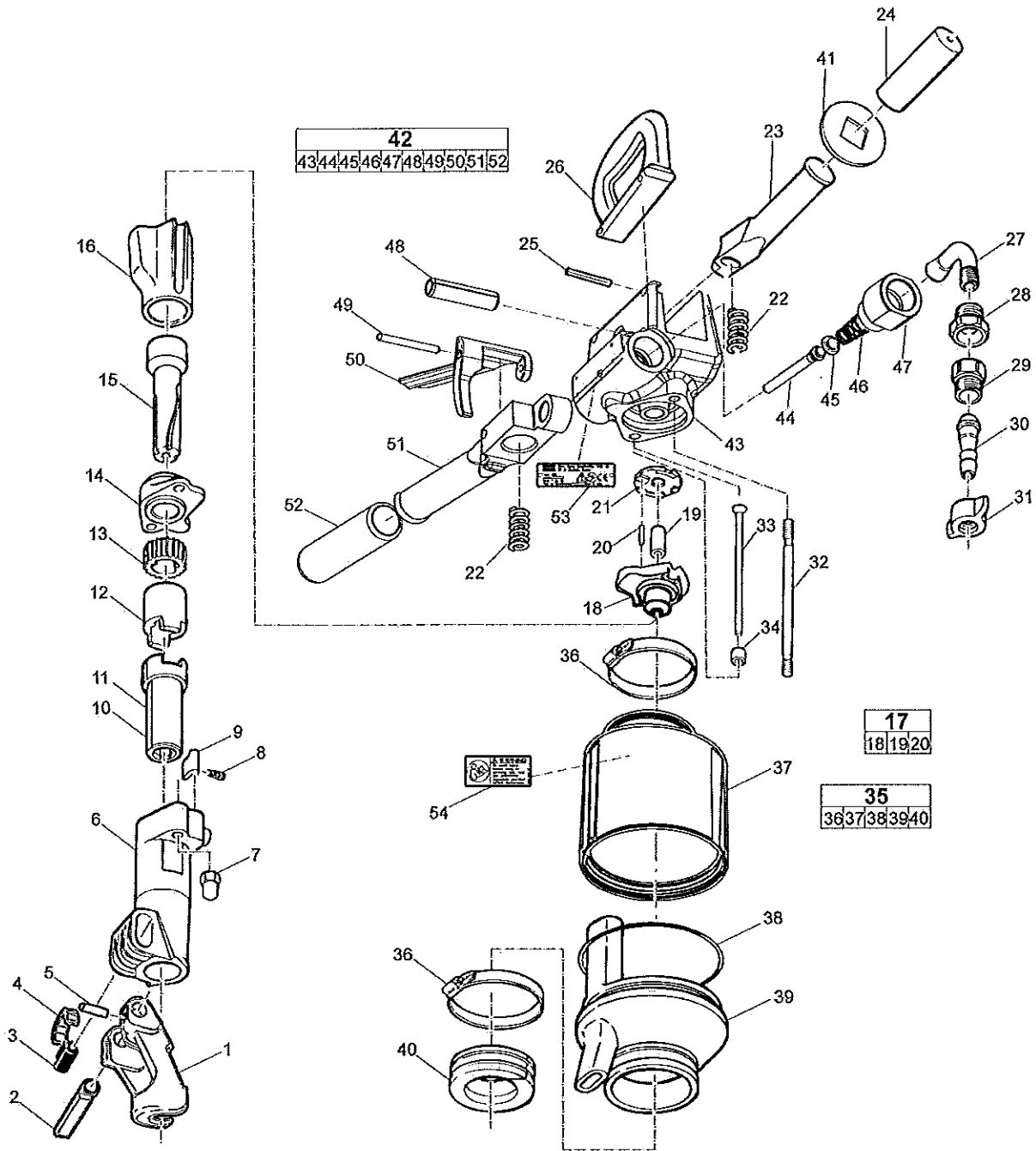
BBD 15E



No.	Description	Remark	Quantity	Part number
1	Drill steel retainer		1	3115 2475 00
2	Retainer pin		1	3115 2068 00
3	Rubber buffer		1	3111 0057 00
4	Buffer plate		1	3111 0056 00
5	Slotted spring pin	Ø 8 x 32 mm Ø 0.31 x 1.26 in.	1	0108 1359 00
6	Front head		1	3111 0053 00
7	Cap nut		2	3111 0062 00
8	Conical spring		2	3111 0023 00
9	Pawl		2	3111 0020 00
10	Rotation chuck	19 x 108 mm ¾ x 4¼ in.	1	3111 0051 00
11	Rotation chuck	22 x 108 mm ¾ x 4¼ in.	1	3111 0066 00
12	Driver		1	3111 0024 00
13	Ratchet wheel		1	3111 0019 00
14	Intermediate part		1	3111 0017 00
15	Piston		1	3111 0050 00
16	Cylinder		1	3111 0015 00
17(18-20)	Cover, complete		1	3111 0047 80
18	Cover		1	-
19	Bushing		1	3111 0048 00
20	Spiral spring pin	Ø 4 x 22 mm Ø 0.16 x 0.87 in.	1	0108 3241 00
21	Main valve		1	3111 0049 00
22	Throttle housing		1	3115 1966 00
23	Lever		1	3115 2086 00
24	Spring		2	3115 1889 00
25	Handle		2	3115 1886 00
26	Rubber sleeve		2	3310 0852 00
27	Slotted spring pin	Ø 8 x 60 mm Ø 0.31 x 2.36 in.	2	0108 1365 00
28	Handle		1	3115 2070 00
29	Valve		1	3115 1967 00
30	Inlet nipple		1	3111 0044 00
31	Adapter		1	3111 0043 00
32	Adapter		1	3000 5825 02
33	Hose nipple	Ø 19 mm Ø ¾ in.	1	3115 1543 00
34	Wing nut		1	9000 0338 00
35	Side bolt		2	3115 1969 00
36	Flushing tube		1	3111 0045 00
37	Gasket		1	3111 0095 00
38(39-43)	Silencer, complete		1	3115 2488 80
39	Hose clamp	Ø 77-89 mm Ø 3.03-3.50 in.	2	0347 6116 00
40	Silencer, upper part		1	3115 2488 00
41	O-ring		1	0663 6151 00
42	Silencer, lower part		1	3115 0772 00
43	Bushing		1	3115 0773 00
45	Rubber washer		2	3115 2478 00
45	Spring pin	Ø 16 x 65 mm Ø 0.63 x 2.56 in.	1	0108 1690 32
46	Data plate		1	-
47	Safety label		1	3310 1602 00

BBD 15ET

CROWDER SUPPLY CO INC * 8495 Roslyn St., Commerce City, CO 80022 * 303.433.3928 TOLL FREE: 888.883.5144 * WWW.CROWDERSUPPLY.COM



No.	Description	Remark	Quantity	Part number
1	Drill steel retainer		1	3115 2475 00
2	Retainer pin		1	3115 2068 00
3	Rubber buffer		1	3111 0057 00
4	Buffer plate		1	3111 0056 00
5	Slotted spring pin	Ø 8 x 32 mm Ø 0.31 x 1.26 in.	1	0108 1359 00
6	Front head		1	3111 0053 00
7	Cap nut		2	3111 0062 00
8	Conical spring		2	3111 0023 00
9	Pawl		2	3111 0020 00
10	Rotation chuck	19 x 108 mm ¾ x 4¼ in.	1	3111 0051 00
11	Rotation chuck	22 x 108 mm ¾ x 4¼ in.	1	3111 0086 00
12	Driver		1	3111 0024 00
13	Ratchet wheel		1	3111 0019 00
14	Intermediate part		1	3111 0017 00
15	Piston		1	3111 0050 00
16	Cylinder		1	3111 0015 00
17(18-20)	Cover, complete		1	3111 0047 80
18	Cover		1	-
19	Bushing		1	3111 0048 00
20	Spiral spring pin	Ø 4 x 22 mm Ø 0.16 x 0.87 in.	1	0108 3241 00
21	Main valve		1	3111 0049 00
22	Spring		2	3115 1889 00
23	Handle		1	3115 1886 00
24	Rubber sleeve		1	3310 0852 00
25	Slotted spring pin	Ø 8 x 60 mm Ø 0.31 x 2.36 in.	2	0108 1365 00
26	Handle		1	3115 2070 00
27	Inlet nipple		1	3111 0044 00
28	Adapter		1	3111 0043 00
29	Adapter		1	3000 5825 02
30	Hose nipple	Ø 16 mm Ø ¾ in.	1	9000 0101 00
31	Wing nut		1	9000 0338 00
32	Side bolt		2	3115 1969 00
33	Flushing tube		1	3111 0045 00
34	Gasket		1	3111 0095 00
35(36-40)	Silencer, complete		1	3115 2488 80
36	Hose clamp	Ø 77-89 mm Ø 3.03-3.50 in.	2	0347 6116 00
37	Silencer, upper part		1	3115 2488 00
38	O-ring		1	0663 6151 00
39	Silencer, lower part		1	3115 0772 00
40	Bushing		1	3115 0773 00
41	Rubber washer		1	3115 2478 00
42(43-52)	Handle, complete		1	8311 0104 95
43	Back head		1	3115 2490 00
44	Valve stem		1	3115 2493 00
45	Valve cone		1	3310 0288 00
46	Conical spring		1	3310 0326 00
47	Adapter		1	3115 2494 00

No.	Description	Remark	Quantity	Part number
48	Spring pin	Ø 16 x 65 mm Ø 0.63 x 2.56 in.	1	0108 1690 32
49	Spring pin	Ø 6 x 60 mm Ø 0.24 x 2.36 in.	1	0108 1336 00
50	Trigger		1	3115 2492 00
51	Handle right		1	3115 2491 00
52	Sleeve		1	3115 2495 00
53	Data plate		1	-
54	Safety label		1	3310 1602 00

Accessories

Optional equipment

Description	Dimensions	Quantity	Part number
Lubricator CLG 30, European type claw couplings	For mineral & synthetic oil	1	3128 2560 20
Lubricator CLG 30, US type claw couplings	For mineral & synthetic oil	1	8202 5102 40
Lubricator BLG 30, European type claw couplings	For mineral oil	1	8202 5102 05
Lubricator BLG 30, US type claw couplings	For mineral oil	1	8202 5102 14
Water separator VAM 01, European type claw couplings	Airflow < 50 l/s Airflow < 106 ft ³ /min	1	8092 0110 58
Water separator VAM 01, US type claw couplings	Airflow < 50 l/s Airflow < 106 ft ³ /min	1	8092 0110 59
Water separator VAM 5A, European type claw couplings	Airflow < 120 l/s Airflow < 254 ft ³ /min	1	80920 0110 83
Water separator VAM 5A, US type claw couplings	Airflow < 120 l/s Airflow < 254 ft ³ /min	1	8092 0110 83
Hose nipple (Standard on BBD 15E)	Ø ¾ in. Ø 19 mm	1	3115 1543 00
Rubber hose, pre-mounted with European type claw couplings (3 m)	Ø ¾ in. Ø 19 mm	1	9030 2047 00
Rubber hose, pre-mounted with US type claw couplings (3m)	Ø ¾ in. Ø 19 mm	1	9030 2065 00
X-LITE flat hose, pre-mounted with European type claw couplings (3 m)	Ø ¾ in. Ø 19 mm	1	9030 2163 00
Hose nipple (Standard on BBD 15ET)	Ø ¾ in. Ø 16 mm	1	9000 0101 00
Rubber hose, pre-mounted with European type claw couplings (3 m)	Ø ¾ in. Ø 16 mm	1	9030 2046 00

Rock drill AIR-OIL

Description	Remark	Quantity	Part number
Rock drill AIR-OIL	1 l 0.22 US gal	1	8099 0201 01
Rock drill AIR-OIL	1 l 0.22 US gal	12	8099 0201 81
Rock drill AIR-OIL	4 l 0.88 US gal	1	8099 0201 04
Rock drill AIR-OIL	4 l 0.88 US gal	4	8099 0201 84
Rock drill AIR-OIL	10 l 2.2 US gal	1	8099 0201 10