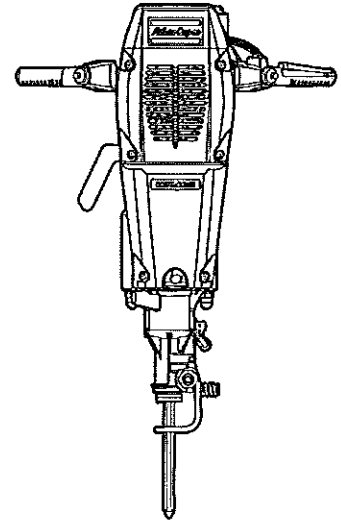


Spare parts list

Petrol drills and breakers



CROWDER SUPPLY CO INC * 8495 Roslyn St., Commerce City, CO 80022 * 303.433.5144 FAX: 303.433.3928 TOLL FREE: 888.883.5144 * WWW.CROWDERSUPPLY.COM

Contents

- General information..... 5
- Spare parts list..... 6
 - Top cover, front cover and back cover..... 6
 - Hammer piston and drill housing..... 8
 - Cylinder..... 12
 - Crank case..... 14
 - Crank case cover..... 16
 - Starter cover and fuel tank..... 18
 - Filter cassett..... 20
 - Handle..... 22
 - Tightening torque..... 24
- Working tools..... 25
 - Hexagon 22 x 108 mm (7/8 x 4¼ in.)..... 25
 - Hexagon 7/8 x 4¼ in. (22 x 108 mm)..... 26
- Accessories..... 28
 - Optional equipment..... 28
 - Accessories..... 29
 - Motor oil..... 30
- Kits..... 31
 - Service kit..... 31
 - Gasket kit..... 31
 - Carburettor repair kit..... 31

General information

This spare parts list applies to the following:

Part number	Description
8318 0800 08	Petrol drill and breaker Cobra Combi Hexagon 22 x 108 mm (7/8 x 4 1/4 in.)

Use only authorized parts. Any damage or malfunction caused by the use of unauthorized parts is not covered by Warranty or Product Liability. Any unauthorized use or copying of the contents or any part thereof is prohibited. This applies in particular to trademarks, model denominations, part numbers, and drawings.

Instructions for use

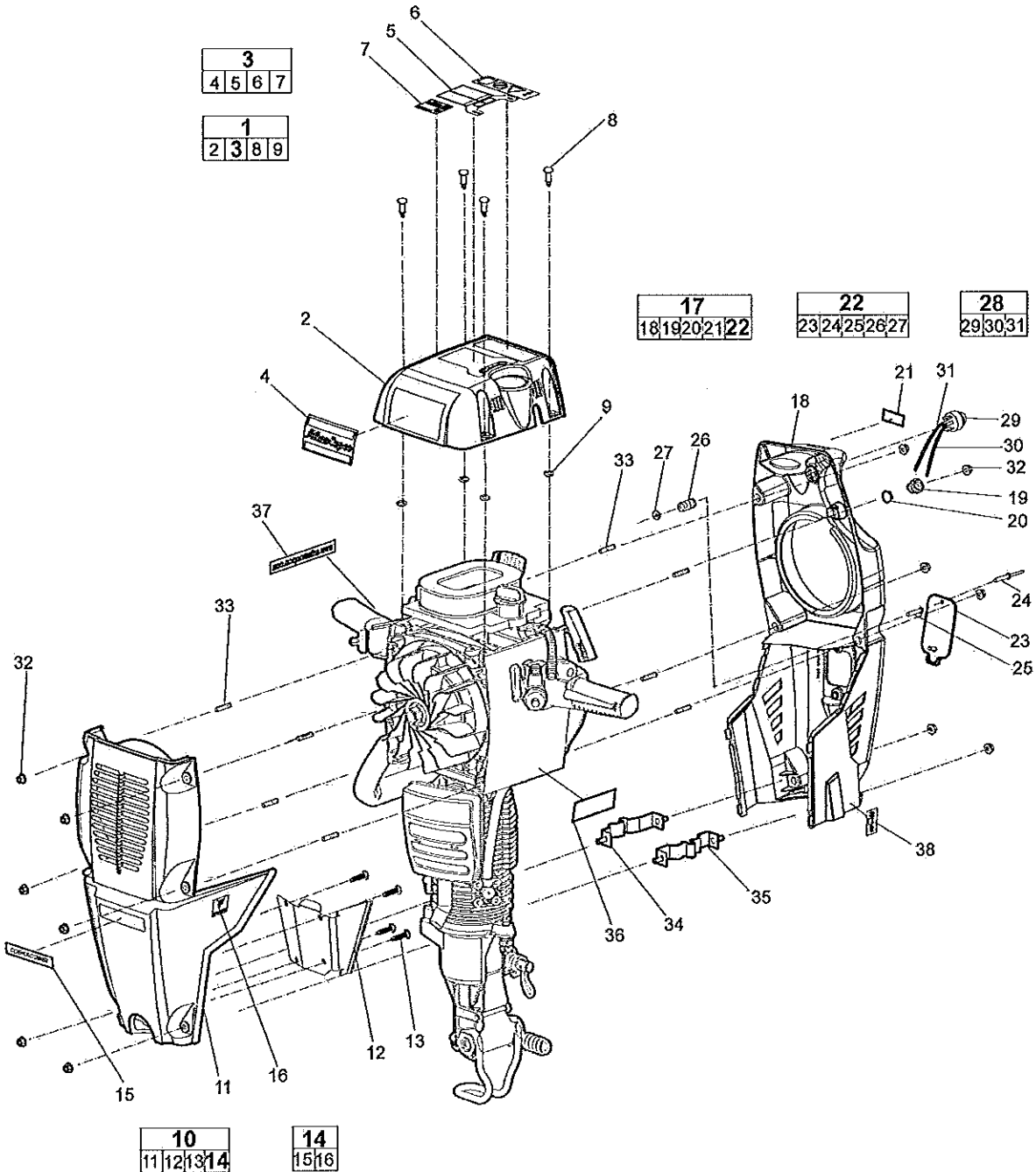
This spare parts list contains no safety regulations and is merely intended to assist in the ordering of spare parts.

For information about operating, servicing, or repairing, the relevant Safety and operating instructions must be consulted at all costs.

Please observe the safety instructions listed in the relevant Safety and operating instructions!

Spare parts list

Top cover, front cover and back cover

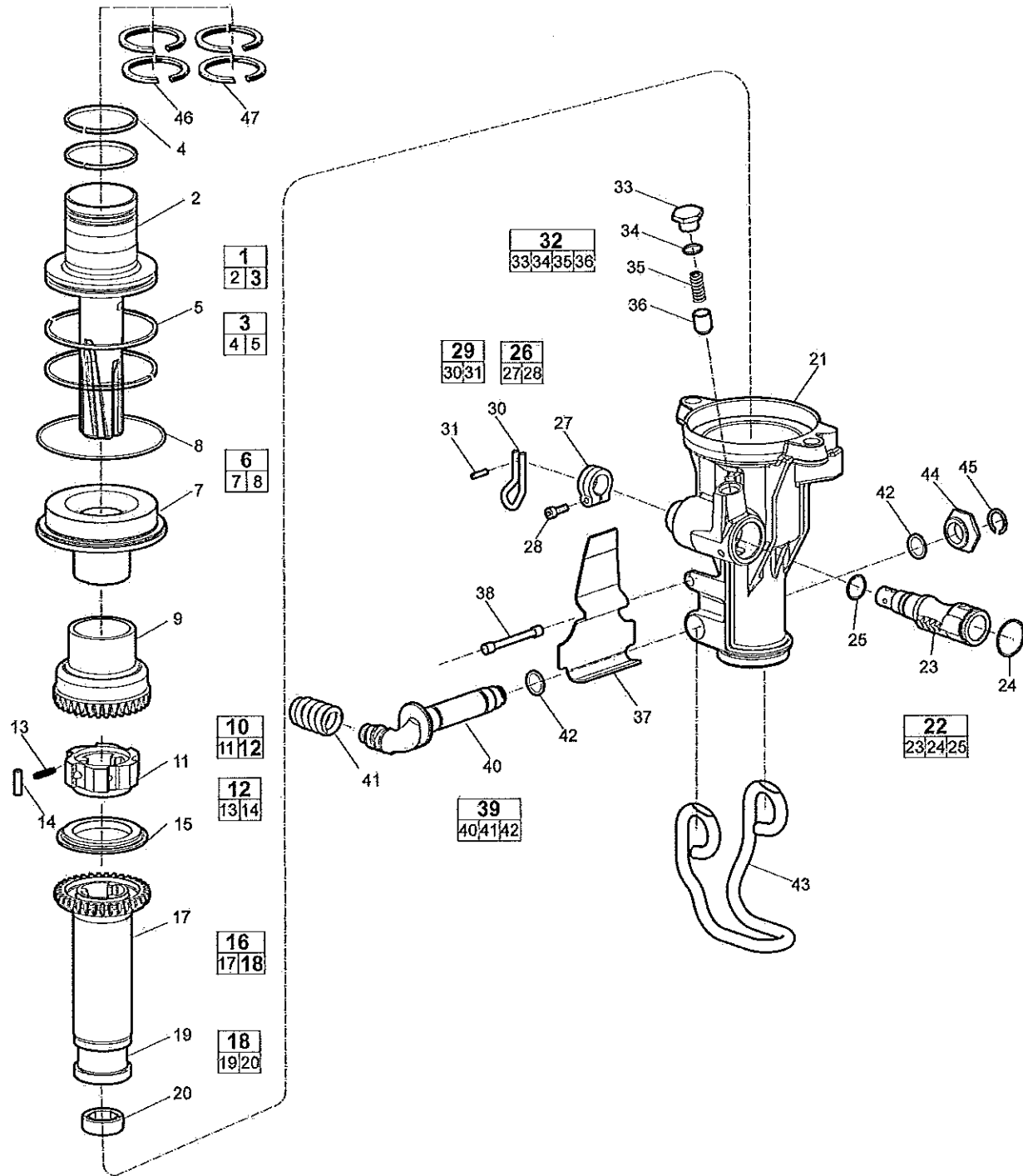


CROWDER SUPPLY CO INC * 8495 Roslyn St., Commerce City, CO 80022 * 303.433.5144 FAX: 303.433.3928 TOLL FREE: 888.883.5144 * WWW.CROWDERSUPPLY.COM

CROWDER SUPPLY CO INC * 8495 Roslyn St., Commerce City, CO 80022 * 303.433.5144 FAX: 303.433.3928 TOLL FREE: 888.883.5144 * WWW.CROWDERSUPPLY.COM

No.	Description	Remark	Quantity	Part number
1(2,3,8-9)	Top cover, complete		1	9234 0015 03
2	Top cover		1	-
3(4-7)	Labels, complete		1	9234 0015 05
4	Product label	"Atlas Copco"	1	9234 0008 13
5	Start instruction label		1	9234 0015 04
6	Safety label		1	9234 0008 10
7	Warning label		1	9234 0009 23
8	Stud fastner		4	9234 0014 99
9	Holder		4	9234 0015 01
10(11-13,14)	Front cover, complete		1	9234 0014 22
11	Front cover		1	-
12	Heat shield		1	9234 0014 10
13	Tapping screw		4	0226 3300 19
14(15-16)	Labels, complete		1	9234 0011 22
15	Product label	"Cobra Combi"	1	9234 0008 12
16	Electronic gap label		1	9232 2216 80
17(18-21,22,28)	Back cover, complete		1	9234 0015 02
18	Back cover		1	-
19	Rope guide		1	9232 0905 30
20	Circlip		1	0335 1117 00
21	Label		1	9234 0009 09
22(23-27)	Hatch cover, complete		1	9234 0009 14
23	Hatch cover		1	-
24	Popnit		1	9232 0802 40
25	Rivet		1	9232 0802 30
26	Spring		1	9232 0406 30
27	Washer		1	9232 0309 80
28(29-31)	Prime pump, complete		1	9234 0014 18
29	Prime pump		1	-
30	Tube		1	-
31	Tube		1	-
32	Nut	M6	12	9232 0207 50
33	Stud		8	9232 0116 60
34	Bracket		1	9234 0007 81
35	Bracket		1	9234 0007 79
36	Label	"EPA"	1	-
37	Label	"www.atlascopco.com"	1	9234 0008 93
38	Label	breaking/drilling	1	9234 0010 25

Hammer piston and drill housing



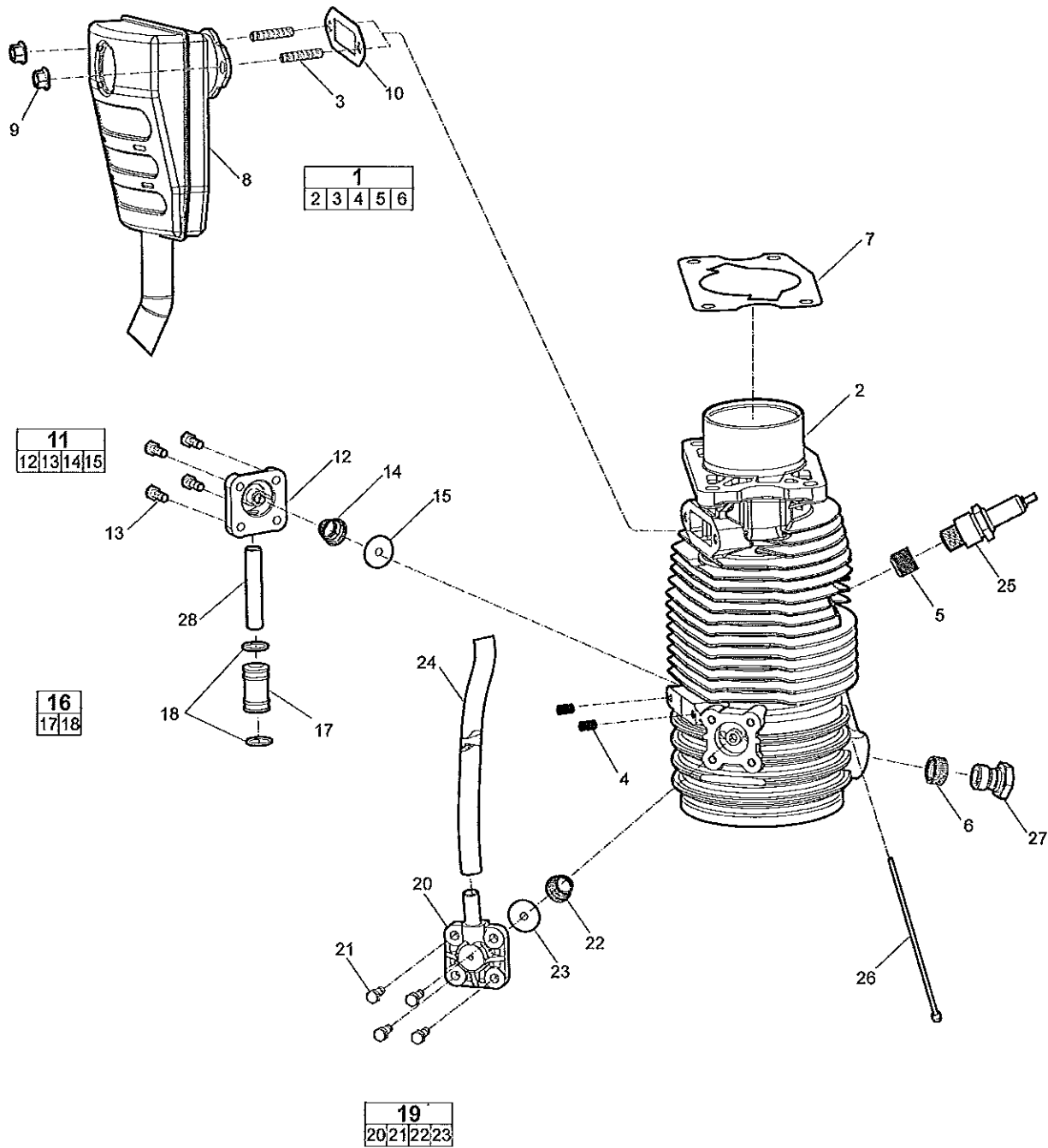
CROWDER SUPPLY CO INC * 8495 Roslyn St., Commerce City, CO 80022 * 303.433.5144 FAX: 303.433.3928 TOLL FREE: 888.883.5144 * WWW.CROWDERSUPPLY.COM

No.	Description	Remark	Quantity	Part number
1(2,3)	Hammer piston, complete		1	9234 0015 15
2	Hammer piston		1	-
3(4-5)	Piston ring, complete		1	9234 0015 16
4	Piston ring	58.00 x 3.15 mm 2.28 x 0.12 in.	2	9234 0014 15
5	Piston ring	90.00 x 1.57 mm 3.54 x 0.06 in.	2	9234 0014 16
6(7-8)	Piston guide, complete		1	9232 2106 41
7	Piston guide		1	-
8	O-ring	99.1 x 2.4 mm 3.9 x 0.09 in.	1	9232 1205 00
9	Ratchet housing		1	9232 1604 70
10(11,12)	Swing wheel, complete		1	9232 2106 21
11	Swing wheel		1	-
12(13-14)	Retainer roller, complete		1	9232 2102 91
13	Spring		6	9232 0406 50
14	Roller		6	-
15	Support washer		1	9232 1604 80
16(17,18)	Drill chuck, complete		1	9232 1604 61
17	Drill chuck	22 x 108 mm 7/8 x 4 1/4 in.	1	-
18(19-20)	Collet, complete		1	9232 1604 51
19	Collet	22 x 108 mm 7/8 x 4 1/4 in.	1	-
20	Gasket	22 mm 7/8 in.	1	9232 1207 90
21	Drill housing		1	9232 1604 40
22(23-25)	Operating shaft, complete		1	9232 1604 92
23	Operating shaft		1	-
24	O-ring	27.1 x 1.6 mm 1.07 x 0.06 in.	1	9232 1208 20
25	O-ring	27.1 x 1.6 mm 1.07 x 0.06 in.	1	9232 1208 40
26(27-28)	Lock nut, complete		1	9232 0206 61
27	Lock nut		1	-
28	Screw	M5 x 20 mm	1	9232 0113 00
29(30-31)	Palm grip, complete		1	9232 1605 11
30	Palm grip		1	-
31	Pin	S4 x 16 mm	1	9232 0604 60
32(33-36)	Spring housing, complete		1	9232 1605 41
33	Spring housing		1	-
34	O-ring	12.1 x 1.6 mm 0.48 x 0.06 in.	1	9232 1208 30
35	Spring		1	9232 0404 40
36	Plunger		1	9232 1300 40
37	Yoke spring		1	9232 0402 80
38	Lock pin		1	9232 0601 90
39(40-42)	Yoke bolt, complete		1	9232 1605 72
40	Yoke bolt		1	-
41	Spring		1	9232 0402 60
42	O-ring	15.3 x 2.4 mm 0.60 x 0.09 in.	2	9232 1201 80
43	Drill yoke		1	9232 1605 50
44	Drill yoke nut		1	9232 1605 60
45	Lock ring		1	9232 0503 50

CROWDER SUPPLY CO INC * 8495 Roslyn St., Commerce City, CO 80022 * 303.433.5144 FAX: 303.433.3928 TOLL FREE: 888.883.5144 * WWW.CROWDERSUPPLY.COM

No.	Description	Remark	Quantity	Part number
46	Piston ring, optional	58 x 3.25 mm 2.28 x 0.13 in.	2	9232 2106 90
47	Piston ring, optional	58 x 3.45 mm 2.28 x 0.14 in.	2	9232 2107 00

Cylinder

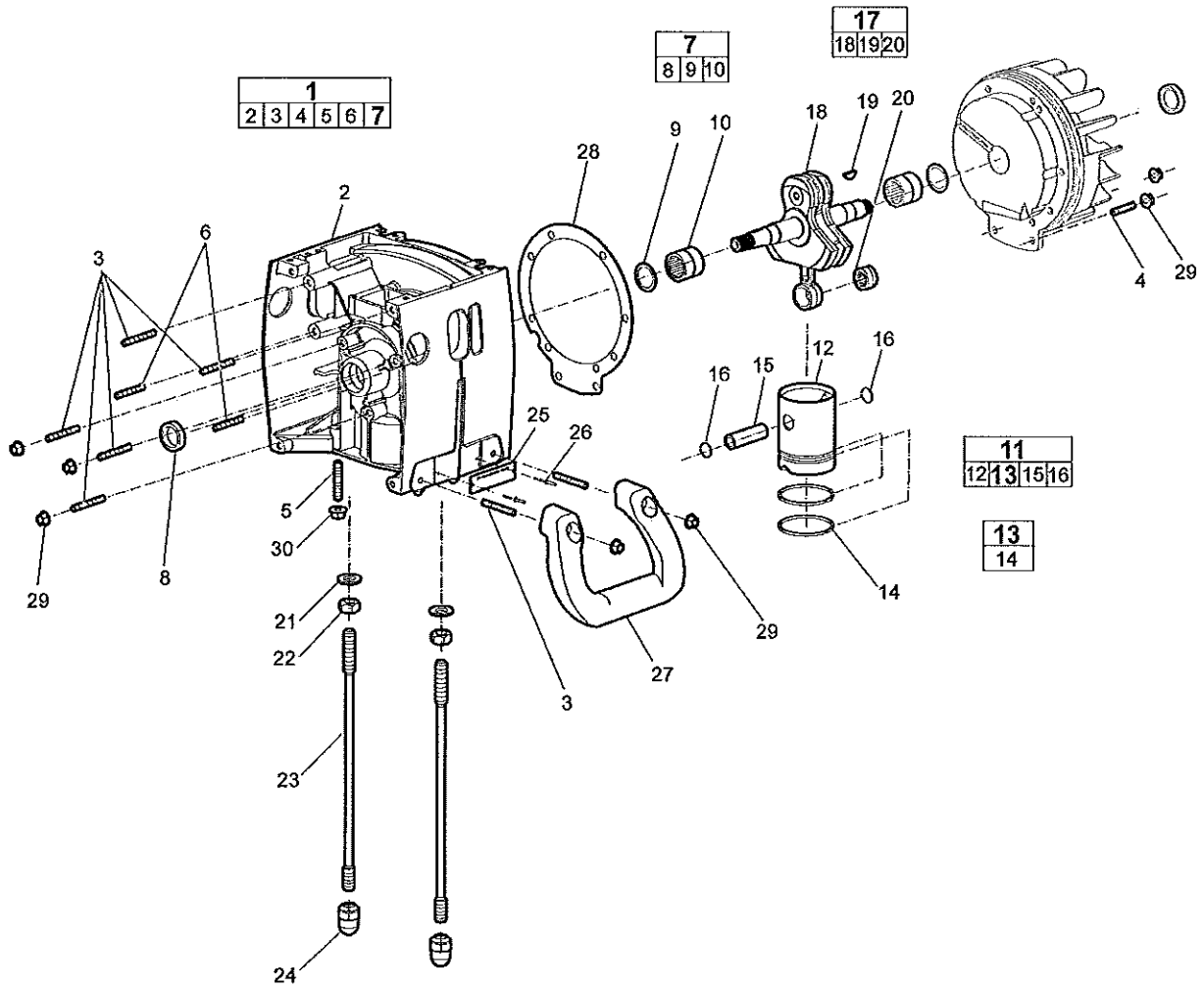


CROWDER SUPPLY CO INC * 8495 Roslyn St., Commerce City, CO 80022 * 303.433.5144 FAX: 303.433.3928 TOLL FREE: 888.883.5144 * WWW.CROWDERSUPPLY.COM

No.	Description	Remark	Quantity	Part number
1(2-6)	Cylinder, complete		1	9234 0010 32
2	Cylinder		1	-
3	Stud bolt	M6 x 25 mm	2	9232 0116 50
4	Thread insert	HELICOL® M5 x 0.8 x 10 mm	2	9232 1808 70
5	Thread insert	HELICOL® M14 x 1.25 x 12 mm	1	9232 1802 40
6	Thread insert	HELICOL® M16 x 1.25 x 8 mm	1	9232 1808 80
7	Gasket		1	9232 1202 50
8	Silencer		1	9234 0015 41
9	Nut	M6, DIN 6927	2	9232 0207 50
10	Gasket		1	9232 1214 20
11(12-15)	Valve body, complete		1	9232 1902 52
12	Valve body		1	-
13	Screw	M5 x 14 mm	4	9232 0116 40
14	Spring		1	9232 0401 90
15	Valve washer		1	9232 1900 40
16(17-18)	Rubber hose, complete		1	9232 1401 31
17	Rubber hose		1	-
18	Lock ring		2	9232 0503 50
19(20-23)	Valve body, complete		1	9232 1902 92
20	Valve body		1	-
21	Screw	M5 x 14 mm	4	9232 0116 40
22	Spring		1	9232 0401 90
23	Valve washer		1	9232 1900 40
24	Rubber hose		1	9232 1408 20
25	Spark plug	Bosch WR7ACY	1	9234 0009 04
26	Cleaning needle		1	9232 1802 11
27	Gas duct valve		1	9232 1900 51
28	Tube		1	9232 1401 40

HELICOL is a registered trademark of Paragon Consultancy Incorporated in Europe.

Crank case

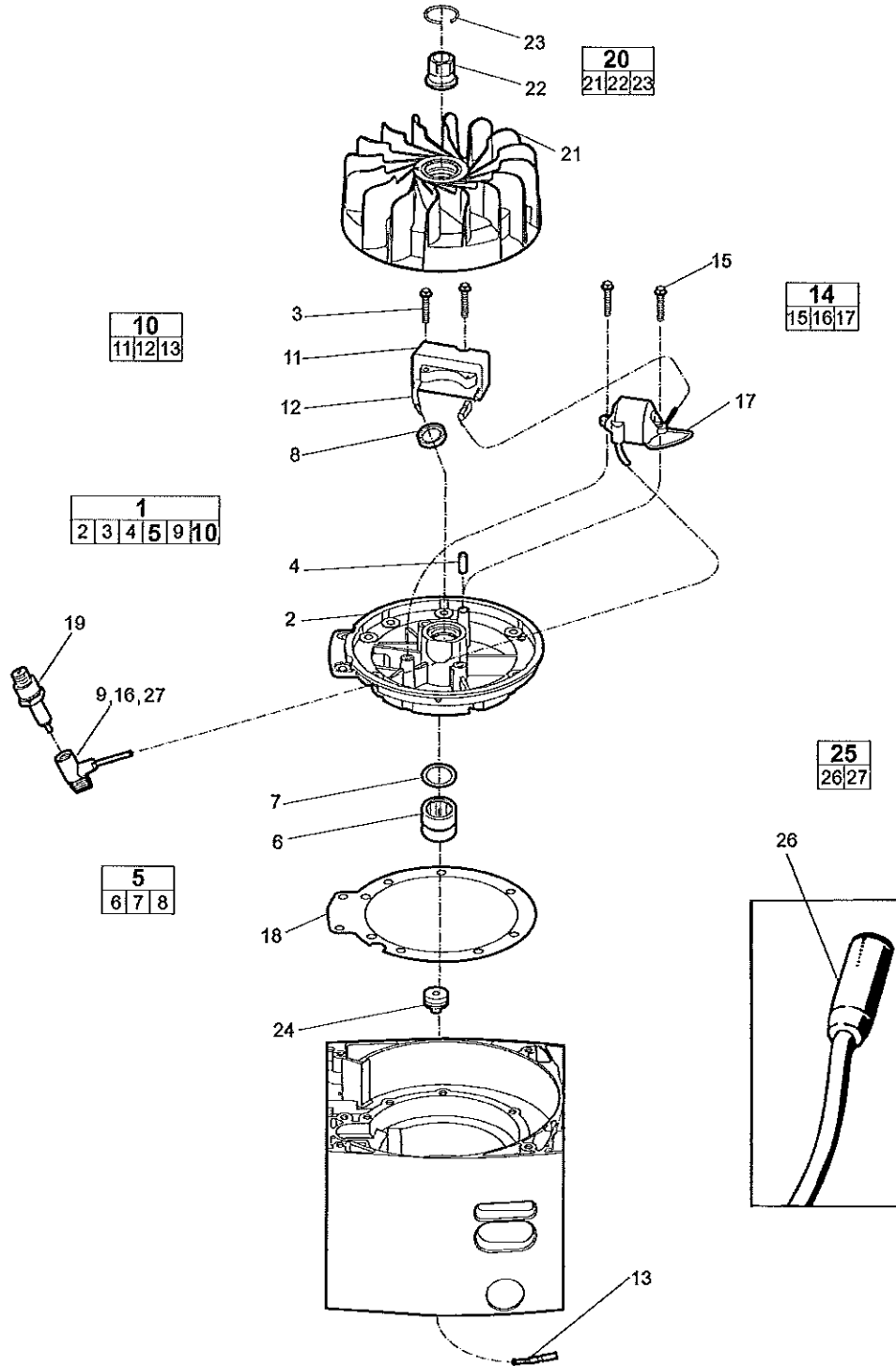


CROWDER SUPPLY CO INC * 8495 Roslyn St., Commerce City, CO 80022 * 303.433.5144 FAX: 303.433.3928 TOLL FREE: 888.883.5144 * WWW.CROWDERSUPPLY.COM

No.	Description	Remark	Quantity	Part number
1(2-6,7)	Crank case, complete		1	9234 0015 50
2	Crank case		1	-
3	Stud	M6 x 45 mm	7	9232 0116 80
4	Stud	M6 x 28 mm	18	9232 0116 60
5	Stud	M8 x 42 mm	4	9232 0116 20
6	Stud	M6 x 35 mm	2	9232 0116 70
7(8-10)	Needle bearing, complete		1	9232 1003 02
8	Seal ring	20 x 30 x 7 mm 0.79 x 1.8 x 0.28 in.	1	9232 1200 70
9	Needle bearing		1	-
10	Disk		1	-
11(12,13,15-16)	Engine piston, complete		1	9234 0014 11
12	Piston		1	-
13(14)	Piston ring, complete	Complete set of 2 piston rings.	1	9234 0015 54
14	Piston ring		2	-
15	Gudgeon pin		1	9232 2204 10
16	Lock ring		2	9232 0501 10
17(18-20)	Crank shaft, complete		1	9234 0014 90
18	Crank shaft		1	-
19	Key		1	9232 2214 20
20	Needle bearing		1	9232 1000 70
21	Spring washer		2	9232 0308 40
22	Nut	M12 x 1.5 mm	2	9232 0206 10
23	Draw bolt		2	9232 0111 60
24	Cap nut	M12 x 1.5 mm	2	9232 0206 00
25	Data plate		1	-
26	Rivet		2	-
27	Side handle		1	9234 0007 98
28	Gasket		1	9232 1202 60
29	Nut	M6	17	9232 0207 50
30	Nut	M8	4	9232 0208 00

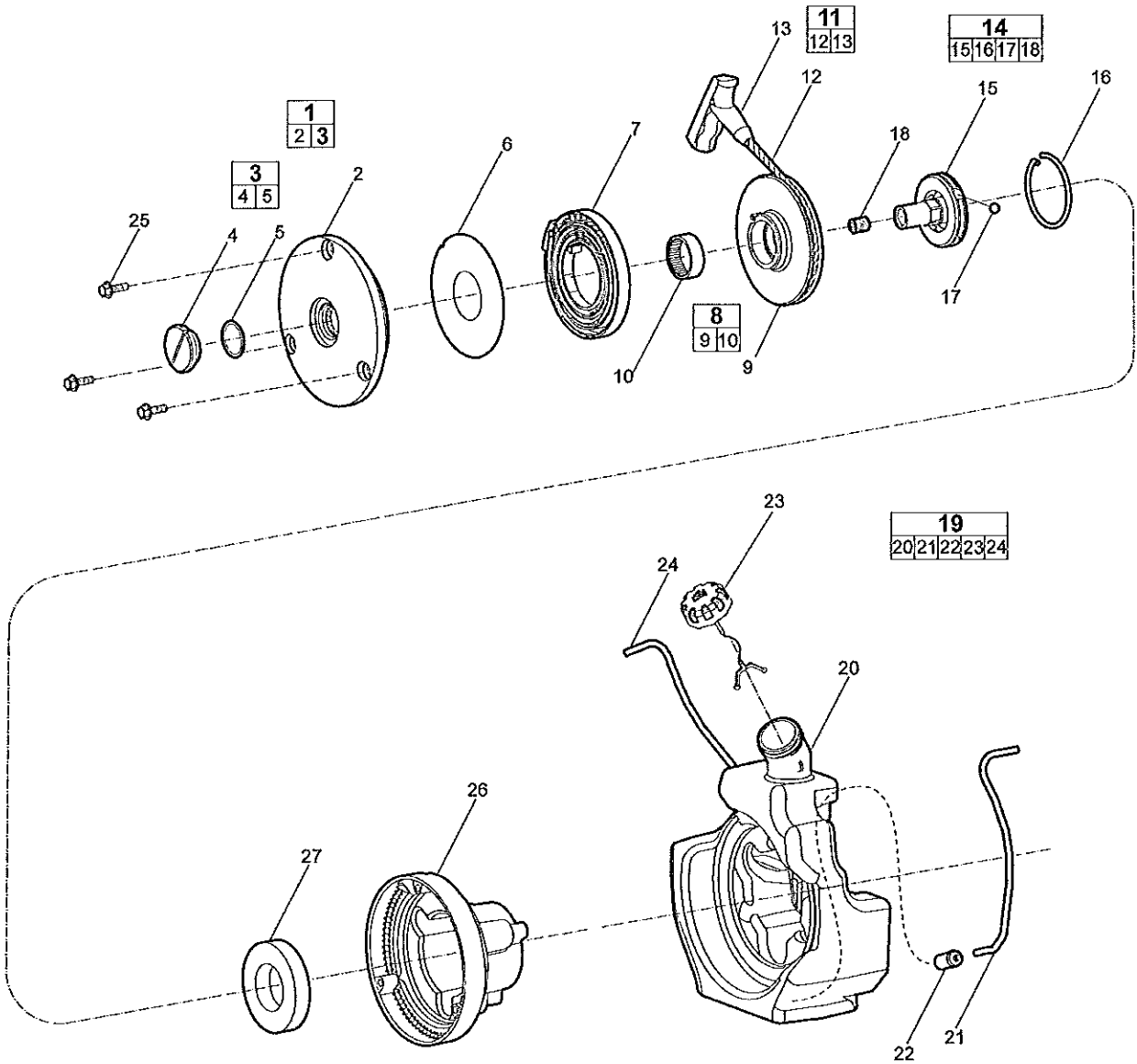
CROWDER SUPPLY CO INC * 8495 Roslyn St., Commerce City, CO 80022 * 303.433.5144 FAX: 303.433.3928 TOLL FREE: 888.883.5144 * WWW.CROWDERSUPPLY.COM

Crank case cover



CROWDER SUPPLY CO INC * 8495 Roslyn St., Commerce City, CO 80022 * 303.433.5144 FAX: 303.433.3928 TOLL FREE: 888.883.5144 * WWW.CROWDERSUPPLY.COM

Starter cover and fuel tank

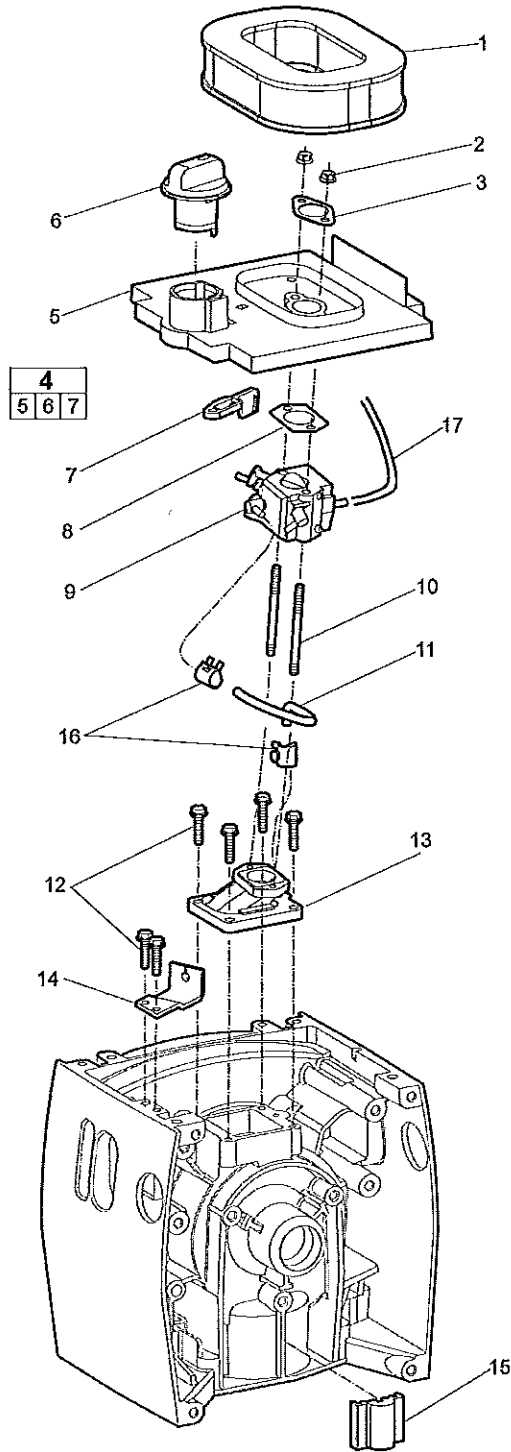


CROWDER SUPPLY CO INC * 8495 Roslyn St., Commerce City, CO 80022 * 303.433.5144 FAX: 303.433.3928 TOLL FREE: 888.883.5144 * WWW.CROWDERSUPPLY.COM

No.	Description	Remark	Quantity	Part number
1(2,3)	Starter cover, complete		1	9234 0008 42
2	Starter cover		1	-
3(4-5)	Screw cap, complete		1	9234 0008 52
4	Screw cap		1	-
5	O-ring	27.3 x 2.4 mm 1.07 x 0.09 in.	1	9232 1213 90
6	Wearing washer		1	9232 2406 40
7	Starter spring		1	9232 2407 71
8(9-10)	Starter pulley, complete		1	9232 2405 01
9	Starter pulley		1	-
10	Needle bearing		1	9232 1003 80
11(12-13)	Starter rope, complete		1	9234 0009 00
12	Starter rope		1	9232 2405 10
13	Starter handle		1	9234 0000 45
14(15-18)	One-way clutch, complete		1	9232 2401 01
15	One-way clutch		1	-
16	Snap ring		1	9232 0501 20
17	Ball		4	9232 1300 20
18	Stop screw	M12 x 16 mm	1	9232 0104 30
19(20-24)	Fuel tank, complete		1	9234 0014 30
20	Fuel tank		1	-
21	Fuel tube		1	9234 0008 92
22	Fuel filter		1	9234 0008 89
23	Fuel tank cap		1	9234 0015 19
24	Tube		1	9234 0014 28
25	Screw	M6 x 20 mm	3	9232 0115 30
26	Center tube		1	9232 2406 10
27	Retainer ring		1	9232 1202 90

CROWDER SUPPLY CO INC * 8495 Roslyn St., Commerce City, CO 80022 * 303.433.5144 FAX: 303.433.3928 TOLL FREE: 888.883.5144 * WWW.CROWDERSUPPLY.COM

Filter cassette

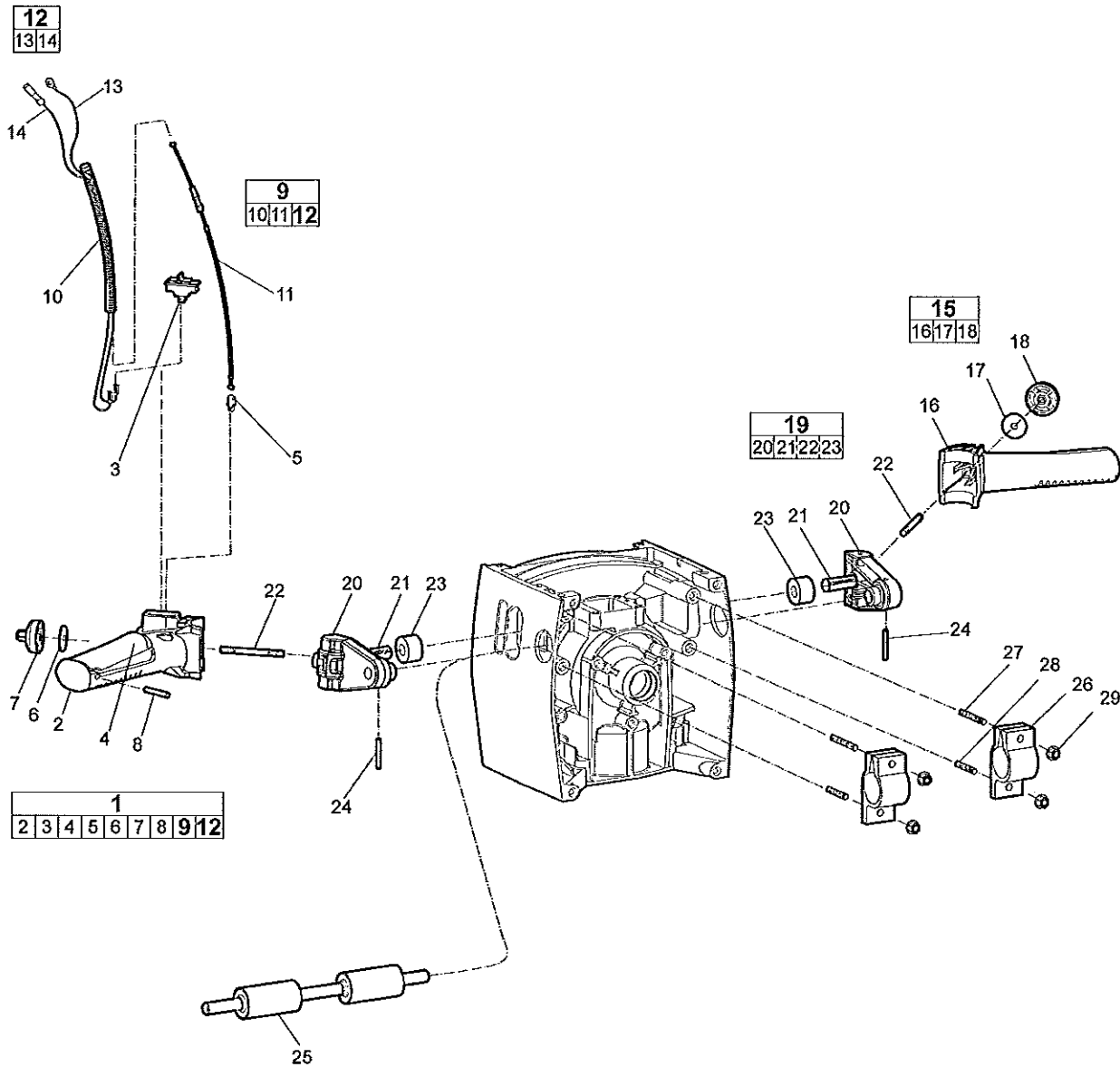


CROWDER SUPPLY CO INC * 8495 Roslyn St., Commerce City, CO 80022 * 303.433.5144 FAX: 303.433.3928 TOLL FREE: 888.883.5144 * WWW.CROWDERSUPPLY.COM

CROWDER SUPPLY CO INC * 8495 Roslyn St., Commerce City, CO 80022 * 303.433.5144 FAX: 303.433.3928 TOLL FREE: 888.883.5144 * WWW.CROWDERSUPPLY.COM

No.	Description	Remark	Quantity	Part number
1	Air filter		1	9234 0001 36
2	Nut	M5	2	9232 0208 80
3	Plate		1	9234 0000 63
4(5-7)	Filter cassette, complete		1	9234 0014 21
5	Filter cassette		1	-
6	Choke handle		1	9234 0014 91
7	Choke arm		1	9234 0010 30
8	Gasket		1	9234 0001 37
9	Carburettor		1	-
10	Stud		2	9234 0001 80
11	Hose		1	9234 0008 87
12	Screw	M5 x 20 mm	6	9232 0118 80
13	Reed valve		1	9234 0007 65
14	Wire attachment		1	9234 0008 04
15	Distans		1	9234 0009 17
16	Hose clamp		2	9234 0009 21
17	Hose	Cobra Comb: From serial number KAL 02295	1	9234 0014 03

Handle



CROWDER SUPPLY CO INC * 8495 Roslyn St., Commerce City, CO 80022 * 303.433.5144 FAX: 303.433.3928 TOLL FREE: 888.883.5144 * WWW.CROWDERSUPPLY.COM

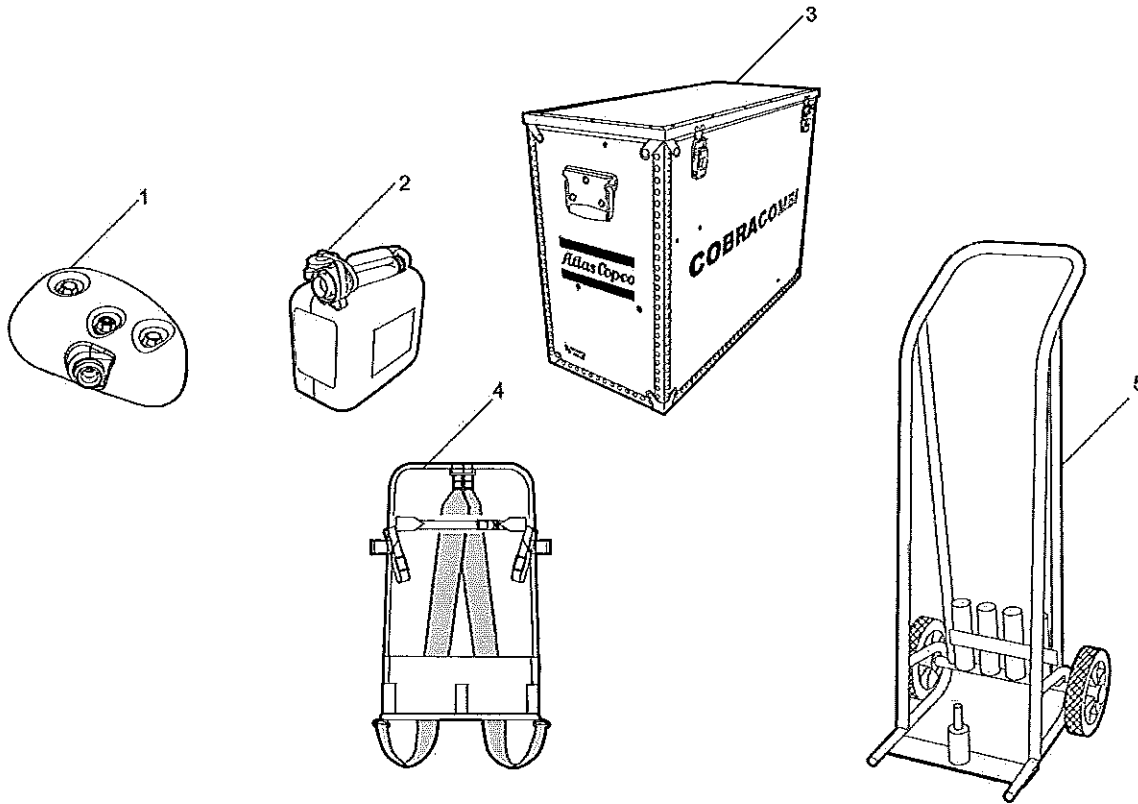
No.	Description	Remark	Quantity	Part number
1(2-8,9)	Handle left, complete		1	9234 0008 05
2	Handle		1	-
3	Stop switch		1	9234 0001 11
4	Throttle control		1	9234 0005 25
5	Nipple		1	9234 0004 90
6	Washer	6.4 x 25 x 1.5 mm 0.25 x 0.98 x 0.06 in.	1	9234 0005 84
7	Steering wheel		1	9234 0002 18
8	Parallel pin	CP 5 x 32 mm	1	9234 0005 65
9(10-11,12)	Tube cover, complete		1	9234 0008 95
10	Protection cover		1	-
11	Wire		1	-
12(13-14)	Protection, complete		1	-
13	Cable		1	-
14	Cable		1	-
15(16-18)	Handle right, complete		1	9234 0008 07
16	Handle		1	-
17	Washer	6.4 x 25 x 1.5 mm 0.25 x 0.98 x 0.06 in.	1	9234 0005 84
18	Steering wheel		1	9234 0002 18
19(20-23)	Handle bar, complete		1	9234 0014 78
20	Handle bar		1	-
21	Connex pin		1	-
22	Stud		1	9234 0010 40
23	Damper		1	9234 0009 10
24	Spring pin		2	9232 0606 60
25	Handle spring		1	9234 0007 61
26	Clamp		2	9234 0008 50
27	Stud	M6 x 45 mm	2	9232 0116 80
28	Stud	M6 x 35 mm	2	9232 0116 70
29	Nut	M6	4	9232 0207 50

Tightening torque

Description	Tightening torque	Remark
M5 Screw	8 Nm	
M6 Screw	10 Nm	
M12 Stop screw	30 Nm	
M6 Nut	10 Nm	
M8 Nut	22 Nm	
M12 Nut and Cap nut	20 Nm	
Spark plug to cylinder	25 Nm	
Gas duct valve to cylinder	42 Nm	
Flywheel nut	60 Nm	

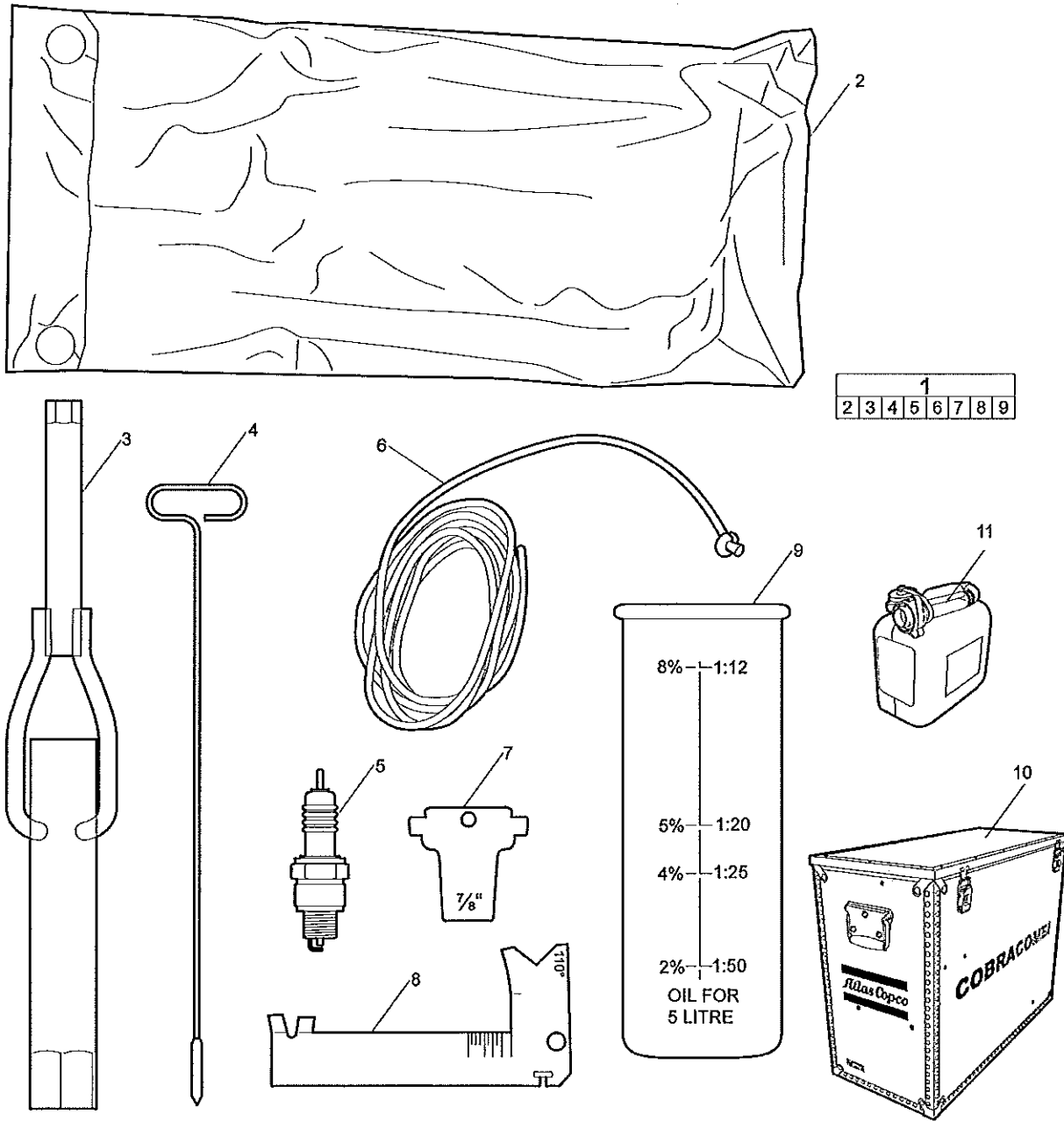
Accessories

Optional equipment



No.	Description	Remark	Quantity	Part number
1	Guide roller		1	9234 0009 38
2	Petrol can		1	9234 0008 97
3	Machine box	"Cobra combi"	1	9234 0008 72
4	Carrying harness		1	9238 2814 10
5	Trolley		1	9234 0006 54

Accessories



No.	Description	Remark	Quantity	Part number
1(2-9)	Tool bag kit		1	9234 0009 05
2	Tool bag		1	9238 2710 20
3	Socket wrench	10/21 mm 0.4/0.8 in.	1	9238 2714 00
4	Cleaning needle		1	9238 2701 00
5	Spark plug	Bosch WR7ACY	1	9234 0009 04
6	Starter rope	Ø4.0 x 1350 mm Ø0.2 x 53 in.	1	9232 2405 10
7	Chuck template	22 mm 0.9 in.	1	9238 2707 90
8	Grinding template		1	9238 2708 10

CROWDER SUPPLY CO INC * 8495 Roslyn St., Commerce City, CO 80022 * 303.433.5144 FAX: 303.433.3928 TOLL FREE: 888.883.5144 * WWW.CROWDERSUPPLY.COM

No.	Description	Remark	Quantity	Part number
9	Oil measure		1	9238 2718 40
10	Machine box	"Cobra combi"	1	9234 0008 72
11	Petrol can		1	9234 0008 97

Motor oil

Description	Remark	Quantity	Part number
Two stroke oil (motor oil)	1 l (0,22 gal) Fully synthetic and biodegradable	1	9238 2743 50
Two stroke oil (motor oil)	1 l (0,22 gal) Fully synthetic and biodegradable	12	9234 0014 06

Kits

Service kit

Part No: 9234 0015 52

Description	Remark	Quantity	Part number
Rubber hose		1	-
Spark plug	M14 x 1.25 mm	1	-
O-ring	99.10 x 2.40 mm 3.90 x 0.09 in.	1	-
Piston ring, complete		1	-
Piston ring, complete		1	9234 0015 54
Starter rope		1	9232 2405 10
Gasket		1	-
Gasket		1	-
Flange nut	M6	4	-
Air filter		1	-

Gasket kit

Description	Remark	Quantity	Part number
Gasket kit		1	9234 0009 22
O-ring	15.3 x 2.4 mm 0.6 x 0.09 in.	2	9232 1201 80
O-ring	99.1 x 2.4 mm 3.9 x 0.09 in.	1	9232 1205 00
O-ring	27.1 x 1.6 mm 1.1 x 0.06 in.	1	9232 1208 20
O-ring	12.1 x 1.6 mm 0.5 x 0.06 in.	1	9232 1208 30
O-ring	17.1 x 1.6 mm 0.7 x 0.06 in.	1	9232 1208 40
O-ring		1	9232 1213 90
Gasket		1	9232 1214 20
Gasket		1	9232 1202 50
Gasket		1	9232 1202 60
Seal tube		1	9232 1401 30
Lock ring		2	9232 0503 50

Carburettor repair kit

Description	Remark	Quantity	Part number
Carburettor repair kit		1	9234 0009 12
Gasket		1	-
Gasket		1	-
Diaphragm		1	-
Diaphragm		1	-

CROWDER SUPPLY CO INC * 8495 Roslyn St., Commerce City, CO 80022 * 303.433.5144 FAX: 303.433.3928 TOLL FREE: 888.883.5144 * WWW.CROWDERSUPPLY.COM

Part number	Page	No.
0226 3300 19	7	13
0335 1117 00	7	20
175-5076,39-20	26	14
	26	14
3083 3228 00	25	1
	26	1
3083 3229 00	25	1
	26	1
3083 3230 00	25	2
	26	2
3083 3231 00	25	2
	26	2
3083 3232 00	25	3
	26	3
3083 3233 00	25	5
	26	5
3083 3234 00	25	6
	26	6
3083 3235 00	25	7
	26	7
3083 3236 00	25	8
	26	8
3083 3237 00	25	9
	26	9
3083 3238 00	26	11
	26	11
3083 3239 00	26	17
	26	17
3083 3240 00	26	21
	27	21
3083 3241 00	26	10
	26	10
3083 3252 10	26	16
	26	16
3083 4071 00	25	2
	26	2
3083 4072 00	25	3
	26	3
575-3108,11-17	26	13
	26	13
714-0434,05-02	26	12
	26	12
714-0833,05-02	26	12
	26	12
714-1232,05-02	26	12
	26	12
9232 0104 30	19	18
9232 0111 60	15	23
9232 0113 00	9	28
9232 0115 30	19	25
9232 0115 40	17	3
	17	15
9232 0116 20	15	5
9232 0116 40	13	13
	13	21
9232 0116 50	13	3
9232 0116 60	7	33
	15	4
9232 0116 70	15	6
	23	28

Part number	Page	No.
9232 0116 80	15	3
	23	27
9232 0118 80	21	12
9232 0206 00	15	24
9232 0206 10	15	22
9232 0206 61	9	26
9232 0207 50	7	32
	13	9
	15	29
	23	29
9232 0208 00	15	30
9232 0208 10	17	22
9232 0208 80	21	2
9232 0308 40	15	21
9232 0309 80	7	27
9232 0401 90	13	14
	13	22
9232 0402 60	9	41
9232 0402 80	9	37
9232 0404 40	9	35
9232 0406 30	7	26
9232 0406 50	9	13
9232 0501 10	15	16
9232 0501 20	19	16
9232 0503 60	9	45
	13	18
	31	
9232 0504 20	17	23
9232 0601 90	9	38
9232 0604 60	9	31
9232 0606 60	23	24
9232 0802 30	7	25
9232 0802 40	7	24
9232 0903 40	17	4
9232 0905 30	7	19
9232 1000 70	15	20
9232 1003 02	15	7
	17	5
9232 1003 80	19	10
9232 1200 70	15	8
	17	8
9232 1201 80	9	42
	31	
9232 1202 50	13	7
	31	
9232 1202 60	15	28
	17	18
	31	
9232 1202 90	19	27
9232 1205 00	9	8
	31	
9232 1207 90	9	20
9232 1208 20	9	24
	31	
9232 1208 30	9	34
	31	
9232 1208 40	9	25
	31	

Part number	Page	No.
9232 1213 90	19	5
	31	
9232 1214 20	13	10
	31	
9232 1214 90	17	24
9232 1300 20	19	17
9232 1300 40	9	36
9232 1401 30	31	
9232 1401 31	13	16
9232 1401 40	13	28
9232 1408 20	13	24
9232 1604 40	9	21
9232 1604 51	9	18
9232 1604 61	9	16
9232 1604 70	9	9
9232 1604 80	9	15
9232 1604 92	9	22
9232 1605 11	9	29
9232 1605 41	9	32
9232 1605 50	9	43
9232 1605 60	9	44
9232 1605 72	9	39
9232 1802 11	13	26
9232 1802 40	13	5
9232 1808 70	13	4
9232 1808 80	13	6
9232 1900 40	13	15
	13	23
9232 1900 51	13	27
9232 1902 52	13	11
9232 1902 92	13	19
9232 2102 91	9	12
9232 2106 21	9	10
9232 2106 41	9	6
9232 2106 90	10	46
9232 2107 00	10	47
9232 2204 10	15	15
9232 2213 51	17	20
9232 2214 20	15	19
9232 2216 80	7	16
9232 2304 60	17	12
9232 2401 01	19	14
9232 2405 01	19	8
9232 2405 10	19	12
	29	6
	31	
9232 2406 10	19	26
9232 2406 40	19	6
9232 2407 71	19	7
9232 2609 01	17	14
9234 0000 45	19	13
9234 0000 63	21	3
9234 0001 11	23	3
9234 0001 36	21	1
9234 0001 37	21	8

CROWDER SUPPLY CO INC * 8495 Roslyn St., Commerce City, CO 80022 * 303.433.5144 FAX: 303.433.3928 TOLL FREE: 888.883.5144 * WWW.CROWDERSUPPLY.COM

Part number	Page	No.
9234 0001 80	21	10
9234 0002 18	23	7
	23	18
9234 0004 90	23	5
9234 0005 25	23	4
9234 0005 65	23	8
9234 0005 84	23	6
	23	17
9234 0006 54	28	5
9234 0007 61	23	25
9234 0007 65	21	13
9234 0007 79	7	35
9234 0007 81	7	34
9234 0007 98	15	27
9234 0008 04	21	14
9234 0008 05	23	1
9234 0008 07	23	15
9234 0008 10	7	6
9234 0008 12	7	15
9234 0008 13	7	4
9234 0008 42	19	1
9234 0008 47	23	12
9234 0008 50	23	26
9234 0008 52	19	3
9234 0008 53	17	1
9234 0008 71	17	10
9234 0008 72	28	3
	30	10
9234 0008 87	21	11
9234 0008 89	19	22
9234 0008 92	19	21
9234 0008 93	7	37
9234 0008 95	23	9
9234 0008 97	28	2
	30	11
9234 0009 00	19	11
9234 0009 04	13	25
	17	19
	29	5
9234 0009 05	29	1
9234 0009 09	7	21
9234 0009 10	23	23
9234 0009 12	31	
9234 0009 14	7	22
9234 0009 17	21	15
9234 0009 21	21	16
9234 0009 22	31	
9234 0009 23	7	7
9234 0009 38	28	1
9234 0010 25	7	38
9234 0010 30	21	7
9234 0010 32	13	1
9234 0010 40	23	22
9234 0011 22	7	14
9234 0014 03	21	17

Part number	Page	No.
9234 0014 06	30	
9234 0014 10	7	12
9234 0014 11	15	11
9234 0014 15	9	4
9234 0014 16	9	5
9234 0014 18	7	28
9234 0014 21	21	4
9234 0014 22	7	10
9234 0014 28	19	24
9234 0014 30	19	19
9234 0014 35	13	8
9234 0014 78	23	19
9234 0014 90	15	17
9234 0014 91	21	6
9234 0014 99	7	8
9234 0015 01	7	9
9234 0015 02	7	17
9234 0015 03	7	1
9234 0015 04	7	5
9234 0015 05	7	3
9234 0015 15	9	1
9234 0015 16	9	3
9234 0015 19	19	23
9234 0015 50	15	1
9234 0015 54	15	13
	31	
9234 0015 55	17	25
9238 2701 00	29	4
9238 2707 90	29	7
9238 2708 10	29	8
9238 2710 20	29	2
9238 2714 00	29	3
9238 2718 40	30	9
9238 2743 50	30	
9238 2814 10	28	4
9245 2812 90	25	4
	26	4
9245 2813 51	26	15
	26	15
9245 2813 81	26	15
	26	15
9245 2817 90	26	20
	26	20
9245 2822 31	26	19
	26	19
9245 2822 40	25	9
	26	9
9245 2822 80	26	18
	26	18
9245 2823 30	25	9
	26	9