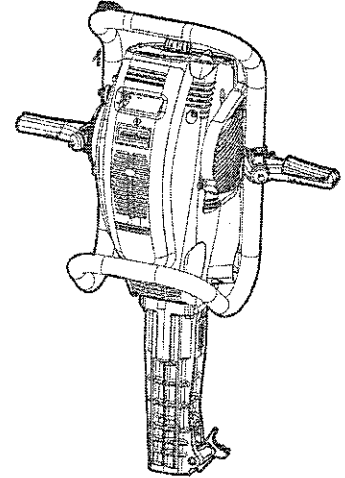


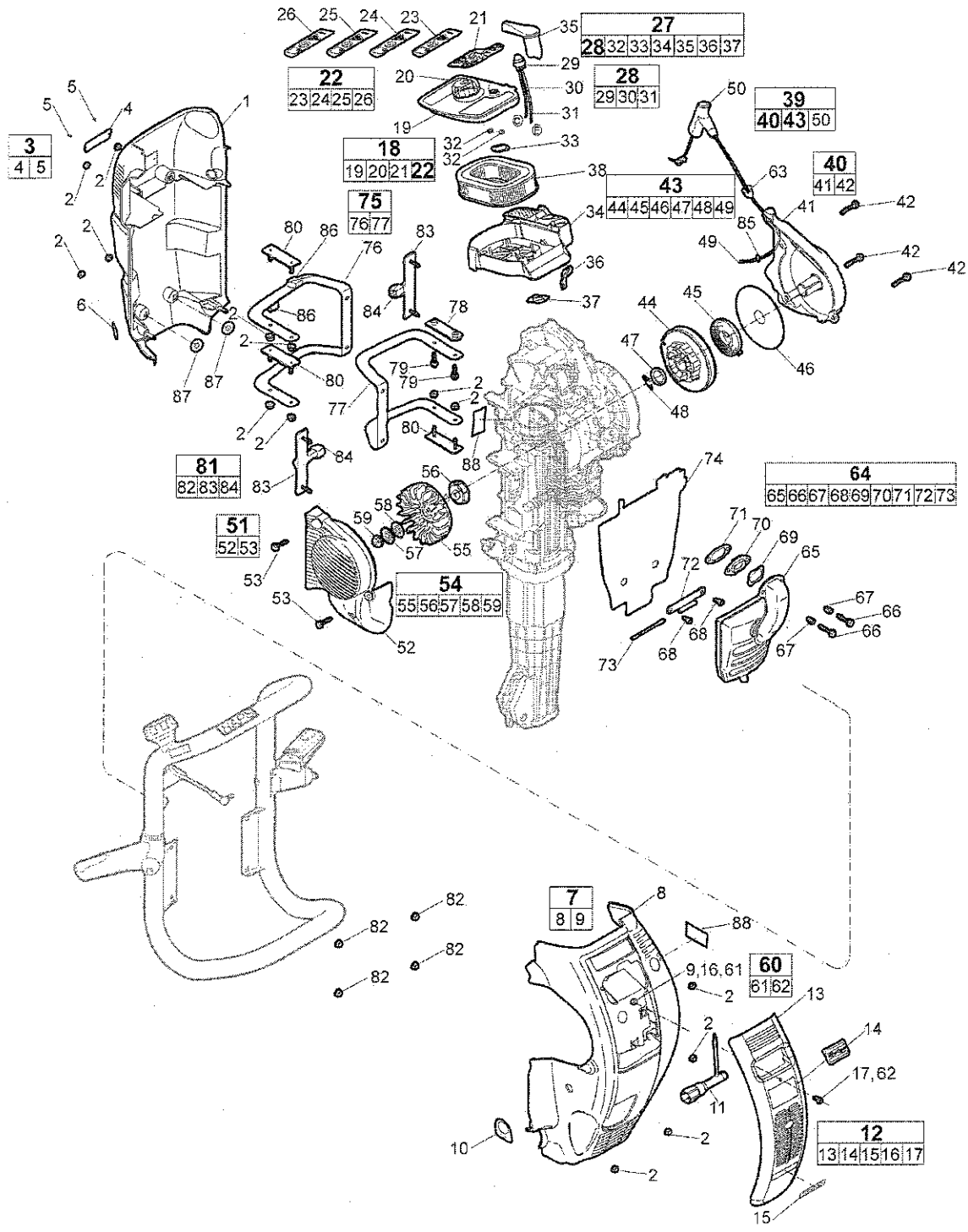
## Spare parts list Petrol breakers



Crowder Supply Co, Inc. 8495 Roslyn St Commerce City, CO 80022 (303) 433-3928 FAX: (303) 433-5144 (888) 883-5144 www.crowdersupply.com

# Spare parts list

## COBRA MK1 Hex 28x160, 32x160, 28x152, 32x152 (Body)



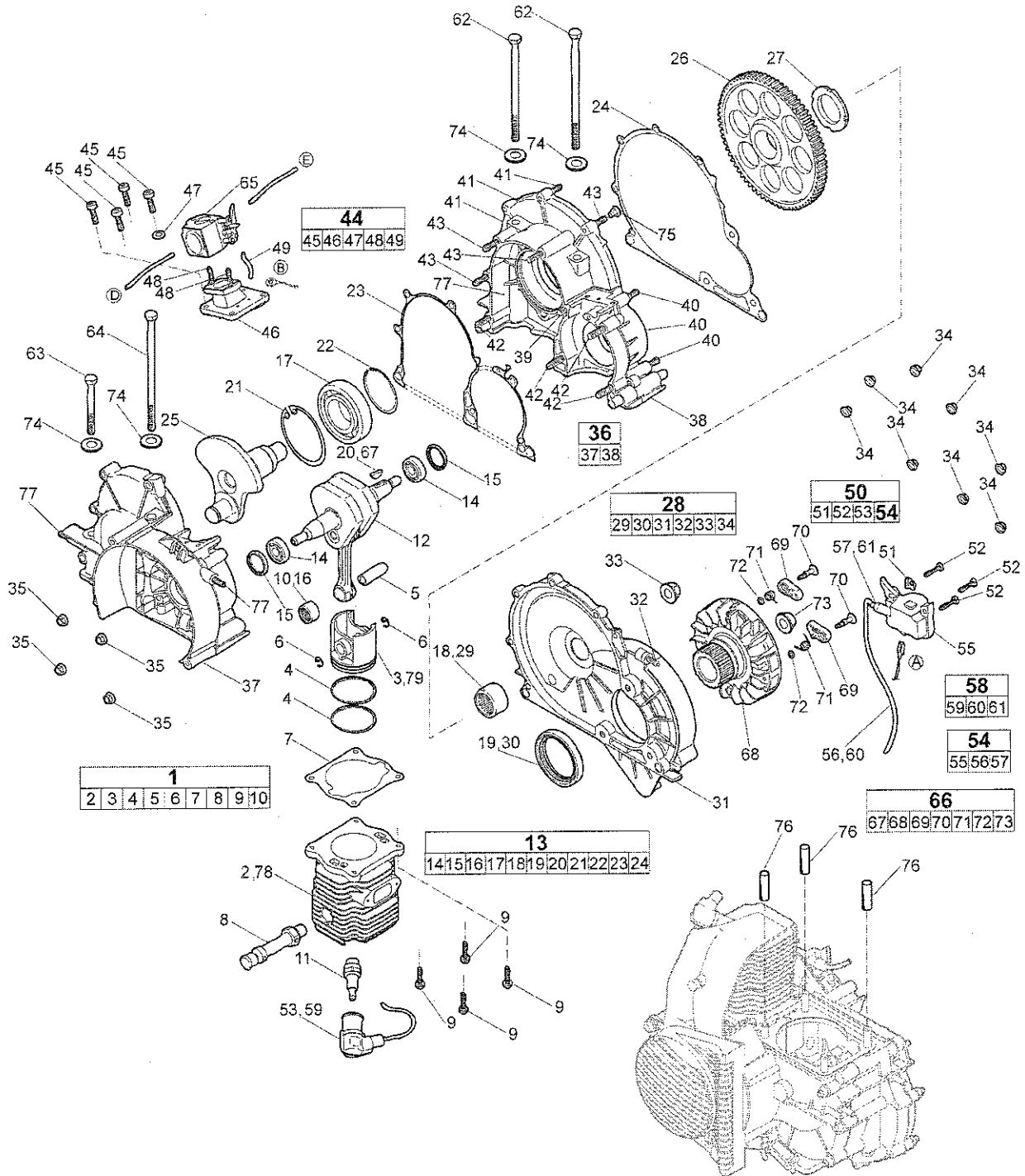
Crowder Supply Co., Inc. 8495 Roslyn St Commerce City, CO 80022 (303) 433-5144 FAX: (303) 433-3928 Toll Free: (888) 883-5144 www.crowdersupply.com

No.	Description	Remark	Quantity	Part Number
1	Back cover		1	9234 0000 20
2	Nut	M6	14	9232 0207 50
3(4-5)	CE machine data plate kit		1	9232 2237 91
4	CE machine data plate		1	-
5	Rivets		2	-
6	Oil level decal		1	9234 0003 54
7(8-9)	Front cover kit		1	9234 0000 19
8	Front cover		1	-
9	Rubber insert		1	-
10	Decal	De-compression valve	1	9234 0003 45
11	Spark plug key		1	9234 0000 56
12(13-17)	Service cover kit		1	9234 0001 25
13	Service cover		1	-
14	Decal	Atlas Copco	1	9234 0009 95
15	Decal	MK1	1	9234 0009 96
16	Rubber insert		1	-
17	Screw	M5x25 mm	1	9234 0005 33
18(19 -26)	Filter cover kit		1	9234 0010 08
19	Filter cover		1	-
20	Filter cover knob		1	-
21	Decal	Start instruction	1	9234 0003 43
22(23-26)	Decal, set		1	9234 0010 09
23	Decal, sound/shank/warnings triangle	32x160 mm/1¼"x6¼"	1	-
24	Decal, sound/shank/warnings triangle	32x160 mm/1¼"x6¼"	1	-
25	Decal, sound/shank/warnings triangle	32x160 mm/1¼"x6¼"	1	-
26	Decal, sound/shank/warnings triangle	32x160 mm/1¼"x6¼"	1	-
27(28-37)	Filter housing kit		1	9234 0002 65
28(29-31)	Prime pump kit		1	9234 0001 24
29	Prime pump		1	-
30	Pipe, tank connection (E)	L=340 mm	1	9234 0002 97
31	Pipe, carburettor connection (C)	L=169 mm	1	9234 0002 98
32	Nut	M5	2	9232 0208 80
33	Plate		1	9234 0000 63
34	Filter housing		1	-
35	Choke handle		1	9234 0000 26
36	Choke arm		1	9234 0010 30
37	Gasket		1	9234 0001 37
38	Air filter		1	9234 0001 36
39(40-50)	Starter cover kit		1	9234 0001 14
40(41-42)	Starter cover kit		1	9234 0006 86
41	Starter cover		1	-
42	Screw	M6SF 6x20 mm	3	9232 0115 30
43(44-49)	Pulley wheel kit		1	9234 0001 15
44	Pulley wheel		1	-
45	Starter spring		1	9234 0004 91
46	Fiber washer	Inner	1	9234 0000 40
47	Washer		1	9234 0000 41
48	Locking spring		1	9234 0000 54
49	Robe		1	9234 0000 59
50	Handle		1	9234 0000 45
51(52-53)	Fan cover kit		1	9234 0002 01
52	Fan cover		1	-
53	Screw	M6SF 6x20 mm	2	9232 0115 30

Crowder Supply Co., Inc. 8495 Roslyn St Commerce City, CO 80022 (303) 433-5144 FAX: (303) 433-3928 Toll Free: (888) 883-5144 www.crowdersupply.com

No.	Description	Remark	Quantity	Part Number
<b>54(55-59)</b>	<b>Fan kit</b>		1	9234 0000 81
55	Fan		1	-
56	Hub		1	9234 0000 81
57	Cup spring		1	0384 3310 00
58	Washer		1	9234 0000 85
59	Nut		1	9232 0209 00
<b>60(61-62)</b>	<b>Rubber insert kit</b>		1	9234 0010 29
61	Rubber insert		1	-
62	Screw	M5x25 mm	1	9234 0005 33
63	Robe guide		1	9232 0905 30
<b>64(65-73)</b>	<b>Muffler kit</b>		1	9234 0001 20
65	Muffler		1	-
66	Screw	M6SF 6x45 mm	2	9232 0122 00
67	Spring		2	9234 0004 86
68	Screw	M6S 6x128.8 mm	2	9232 0124 00
69	Gasket		1	9234 0004 13
70	Muffler insert		1	9234 0004 02
71	Gasket		1	9234 0002 67
72	Hinge		1	9234 0006 74
73	Hinge pin	FRP Ø5x80 mm	1	9234 0004 10
74	Heat shield		1	9234 0002 43
<b>75(76-77)</b>	<b>Leaf spring kit</b>		1	9234 0005 81
76	Leaf spring	Right	1	9234 0005 81
77	Leaf spring	Left	1	9234 0001 44
78	Pressure plate	Top left	1	9234 0003 32
79	Screw	M6SF 6x16 mm 8.8 FZB	2	9234 0002 99
80	Pressure plate		3	9234 0003 36
<b>81(82-84)</b>	<b>End stop bracket kit</b>		1	9234 0001 43
82	Nut	M6	4	9232 0207 50
83	End stop bracket		2	-
84	Plastic bush		2	9234 0003 35
85	Lock ring		1	9232 0503 50
86	Dampening cushion		2	-
87	Washer		2	0301 2321 00
88	Decal	EPA	2	-

# COBRA MK1 Hex 28x160, 32x160, 28x152, 32x152 (Motor)

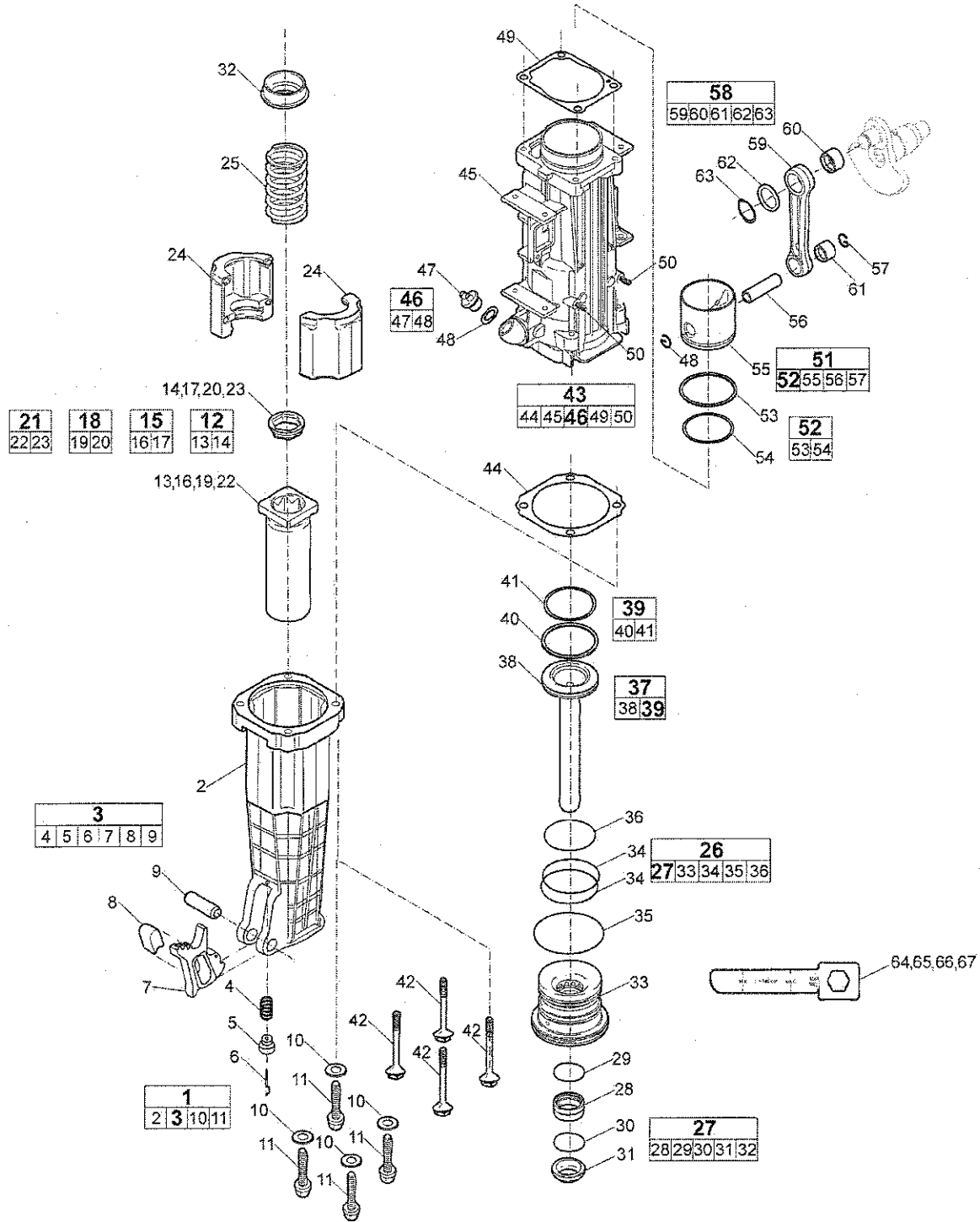


Crowder Supply Co, Inc. 8495 Roslyn St Commerce City, CO 80022 (303) 433-5144 FAX: (303) 433-3928 Toll Free: (888) 883-5144 www.crowdersupply.com

No.	Description	Remark	Quantity	Part Number
1(2-10)	Motor cylinder kit		1	9234 0001 06
2	Cylinder		1	-
3	Piston		1	-
4	Piston ring		2	9234 0000 07
5	Gudgeon pin		1	9234 0000 08
6	Lock ring		2	9234 0000 09
7	Gasket		1	9234 0001 26
8	De-compression valve		1	9234 0003 40
9	Screw		4	9232 0118 80
10	Needle bearing		1	-
11	Spark plug kit	Champion RCJ8	1	9234 0004 48
12	Motor crankshaft		1	9234 0000 36
13(14-24)	Bearing and Seal kit		1	9234 0003 18
14	Ball bearing		2	-
15	Seal		2	9234 0006 06
16	Needle bearing		1	-
17	Ball bearing		1	-
18	Needle bearing		1	9234 0003 96
19	Seal		1	9234 0000 74
20	Woodruff key		1	9232 2228 40
21	Lock ring		1	9234 0000 72
22	Lock ring		1	9234 0000 75
23	Gasket	Crankcase	1	9234 0004 14
24	Gasket	Transmission cover	1	9234 0004 15
25	Transmission axle		1	9234 0001 86
26	Transmission cog wheel		1	9234 0002 79
27	Nut	KML-6 left	1	9234 0000 76
28(29-34)	Transmission cover kit		1	9234 0003 20
29	Needle bearing		1	9234 0003 96
30	Seal		1	9234 0000 74
31	Transmission cover		1	-
32	Stud	M6x18 mm, L=28 mm	1	9234 0004 23
33	Oil level plug	R $\frac{1}{4}$ "	1	9234 0005 27
34	Nut	M6	8	9232 0207 50
35	Nut	M6	4	9232 0207 50
36(37-38)	Crankcase kit		1	9234 0002 82
37	Crankcase	Fan side	1	-
38	Crankcase	Transmission side	1	-
39	Stud	M6x70 mm, L=85 mm	1	9234 0001 58
40	Stud	M6x20 mm, L=32 mm	3	9234 0000 71
41	Stud	M6x25 mm, L=40 mm	3	9234 0001 57
42	Stud	M6x50 mm, L=65 mm	4	9234 0000 69
43	Stud	M6x30 mm, L=45 mm	5	9234 0000 67
44(45-49)	Crankcase valve kit		1	9234 0001 74
45	Screw		4	9232 0118 80
46	Crankcase valve		1	-
47	Washer	BRB 5.3x10x1 mm	1	0301 2318 00
48	Stud		2	9234 0001 80
49	Pipe	L=36 mm	1	9234 0003 24

No.	Description	Remark	Quantity	Part Number
50(51-57)	Electronic unit kit		1	9234 0002 81
51	Protective washer		1	9234 0002 05
52	Screw		3	9232 0120 00
53	Spark plug cap		1	-
54(55-57)	Electronic unit kit		1	-
55	Electronic unit		1	-
56	Ignition cable		1	-
57	Grommet		1	-
58(59-61)	Spark plug cable kit		1	9234 0006 01
59	Spark plug cap		1	-
60	Ignition cable		1	-
61	Grommet		1	-
62	Screw	M6S 8x160 mm 8.8 FZB	2	0147 1347 03
63	Screw	M6S 8x75 mm 8.8 FZB	1	0147 1335 03
64	Screw	M6S 8x140 mm 8.8 FZB	1	0147 1345 03
65	Carburettor		1	9234 0006 82
66(67-73)	Flywheel kit		1	9234 0003 04
67	Woodruff key		1	9232 2228 40
68	Flywheel		1	-
69	Carrier		2	9234 0000 32
70	Screw		2	9234 0001 54
71	Carrier spring		2	9234 0001 55
72	Support washer		2	9234 0002 00
73	Locking nut	M6MF M10 8.8	1	9232 0209 00
74	Washer	BRB 8.4x16x1.5 mm	4	0300 0274 74
75	Bushing		1	9232 0905 20
76	Plastic bushing		3	9234 0005 75
77	Stud	M6x18 mm, L=28 mm	3	9234 0004 23
78	Cylinder		1	9234 0014 19
79	Piston		1	9234 0014 20

# COBRA MK1 Hex 28x152 - 32x160 (Percussion unit)



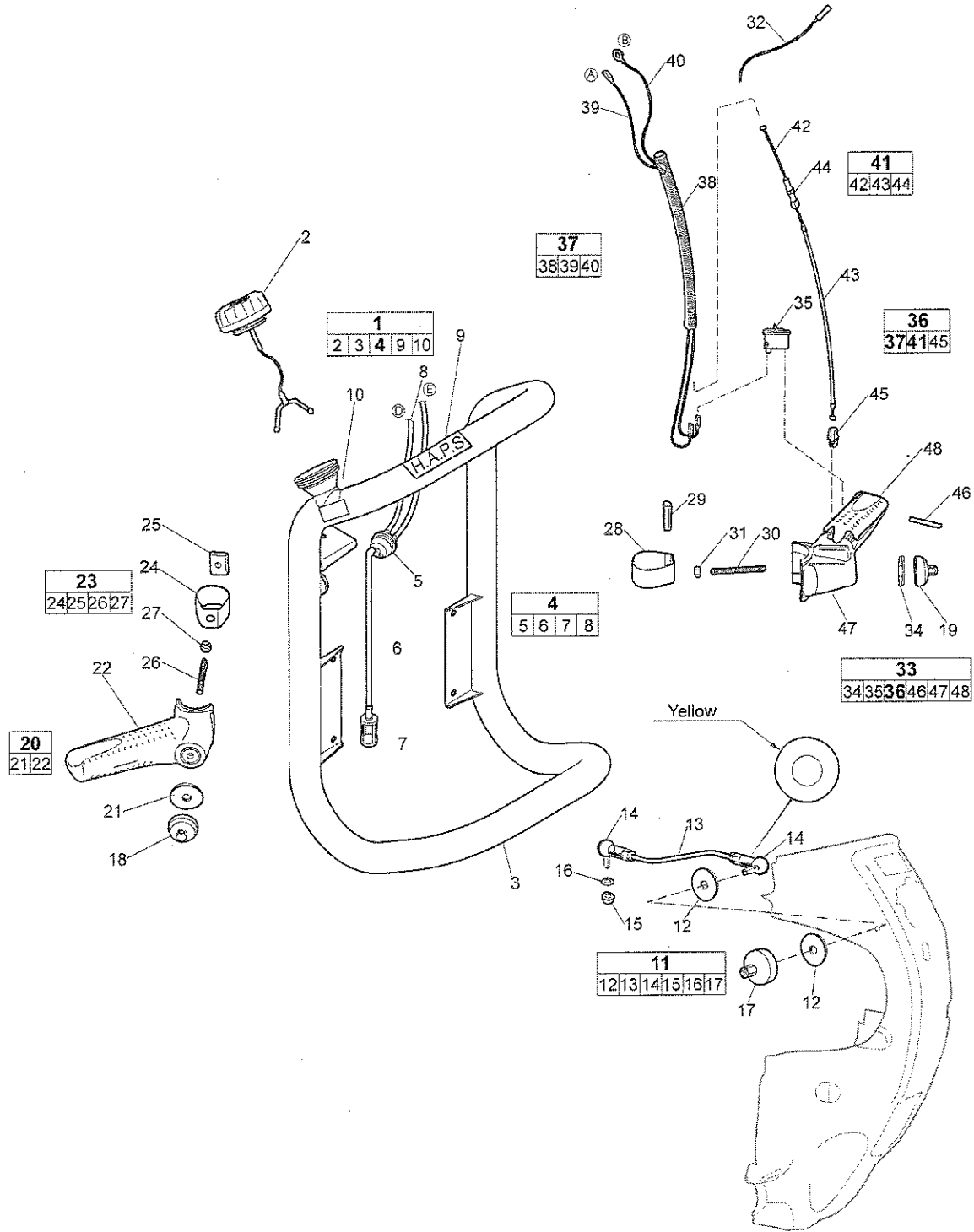
Crowder Supply Co, Inc. 8495 Roslyn St Commerce City, CO 80022 (303) 433-5144 FAX: (303) 433-3928 Toll Free: (888) 883-5144 www.crowdersupply.com

No.	Description	Remark	Quantity	Part Number
1(2-11)	Breaker housing kit		1	9234 0005 97
2	Breaker housing		1	-
3(4-9)	Tool latch kit		1	9234 0006 37
4	Spring		1	-
5	Guide		1	-
6	Guide pin		1	-
7	Tool latch		1	-
8	Tool latch insert		1	-
9	Spring pin		1	-
10	Washer	From 19000	4	0300 0274 74
11	Screw	From 19000, 25 Nm	4	9234 0010 04
12(13-14)	Tool chuck kit		1	9234 0005 50
13	Tool chuck	28x152 mm, 1 1/4"x6"	1	-
14	Seal	1 1/4"	1	9234 0005 24
15(16-17)	Tool chuck kit		1	9234 0005 49
16	Tool chuck	28x160 mm, 1 1/4"x6 1/4"	1	-
17	Seal	1 1/4"	1	9234 0005 24
18(19-20)	Tool chuck kit		1	9234 0005 48
19	Tool chuck	32x152 mm, 1 1/4"x6"	1	-
20	Seal	1 1/4"	1	9234 0005 17
21(22-23)	Tool chuck kit		1	9234 0005 44
22	Tool chuck	32x160 mm, 1 1/4"x6 1/4"	1	-
23	Seal	1 1/4"	1	9234 0005 17
24	Feed stop		2	9234 0005 35
25	Recoil spring		1	9234 0001 79
26(27-36)	Piston guide kit		1	9234 0005 47
27(28-32)	Scraper ring kit		1	9234 0005 54
28	Speed seal		1	-
29	O-ring		1	-
30	Lock ring		1	-
31	Scraper ring		1	-
32	Support ring		1	9234 0005 36
33	Piston guide		1	-
34	O-ring		2	9234 0002 28
35	O-ring		1	9234 0002 29
36	O-ring		1	9234 0002 30
37(38-41)	Hammer piston kit		1	9234 0003 00
38	Hammer piston		1	-
39(40-41)	Piston ring kit		1	9234 0002 71
40	Piston ring		1	-
41	O-ring		1	-
42	Screw		4	9234 0005 80
43(44-50)	Hammer cylinder kit		1	9234 0004 08
44	Gasket		1	9234 0001 28
45	Hammer cylinder		1	-
46(47-48)	Oil plug kit		1	9232 0123 51
47	Oil plug		1	-
48	O-ring		1	9232 0310 90
49	Gasket		1	9234 0001 27
50	Stud	M6x18 mm, L=28 mm	2	9234 0004 23

Crowder Supply Co, Inc. 8495 Roslyn St Commerce City, CO 80022 (303) 433-3928 FAX: (303) 433-5144 (888) 883-5144 www.crowdersupply.com

No.	Description	Remark	Quantity	Part Number
51(52-57)	Drive piston kit		1	9234 0003 01
52(53-54)	Piston ring kit		1	9234 0002 71
53	Piston ring		1	-
54	O-ring		1	-
55	Drive piston		1	-
56	Gudgeon pin		1	9234 0002 45
57	Circlip		2	9232 0505 60
58(59-63)	Connection rod kit		1	9234 0002 49
59	Connection rod		1	-
60	Needle bearing		1	9234 0003 96
61	Needle bearing		1	4090 0369 00
62	Shim		1	9234 0004 12
63	Lock ring		1	9234 0002 84
64	Template	28x152 mm, 1¼"x6"	1	9238 2743 00
65	Template	28x160 mm, 1¼"x6¼"	1	9238 2743 10
66	Template	32x152 mm, 1¼"x6"	1	9238 2738 70
67	Template	32x160 mm, 1¼"x6¼"	1	9238 2738 80

# COBRA MK1 Hex 28x160, 32x160, 28x152, 32x152 (Fuel tank)

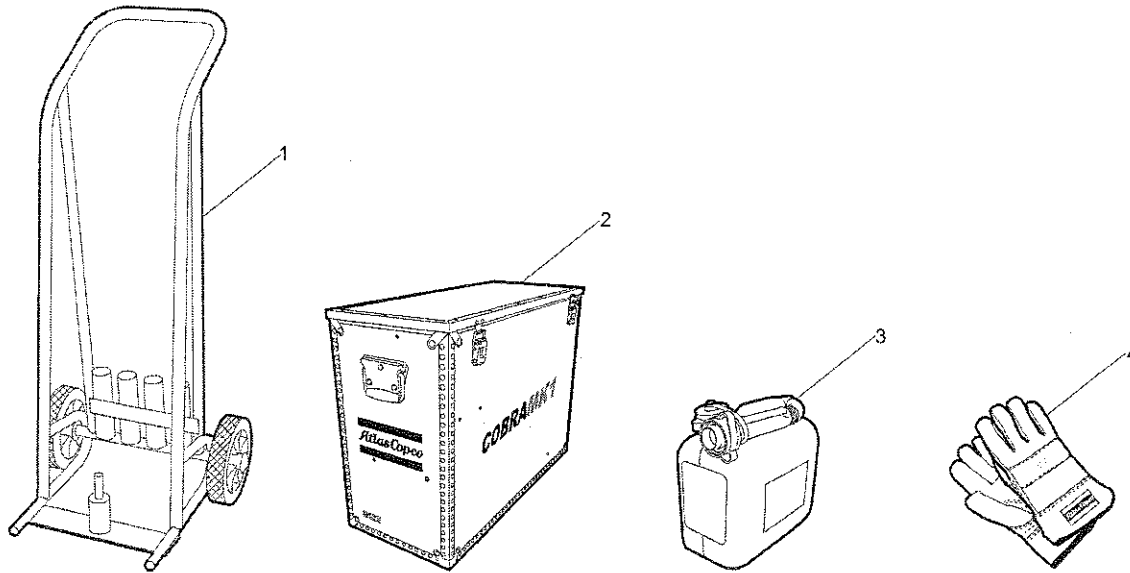


Crowder Supply Co, Inc. 8495 Roslyn St Commerce City, CO 80022 (303) 433-5144 FAX: (303) 433-3928 Toll Free: (888) 883-5144 www.crowdersupply.com

No.	Description	Remark	Quantity	Part Number
1(2-10)	Handle frame, Fuel tank kit		1	9234 0006 47
2	Tank cap		1	9234 0015 19
3	Handle frame		1	-
4(5-8)	Tank grommet kit		1	9234 0004 84
5	Tank grommet		1	-
6	Pipe, fuel filter	L=625 mm	1	9234 0004 85
7	Filter		1	9232 2306 00
8	Pipe, tank connection	L=340 mm	1	9234 0002 97
9	Decal	H.A.P.S	1	9234 0006 05
10	Decal	Oil mix 2%	1	9234 0009 09
11(12-17)	Stabilization arm kit		1	9234 0007 50
12	Washer		2	9234 0005 84
13	Stabilization arm		1	-
14	Toggle joint		2	-
15	Nut	M6, DIN 6927	1	9232 0207 50
16	Washer	6.4x12 mm, T=1.5	1	0301 2321 00
17	Handle locking nut		1	9234 0002 18
18	Handle locking nut		1	9234 0002 18
19	Handle locking nut		1	9234 0002 18
20(21-22)	Handle kit	Right	1	9234 0005 68
21	Washer		1	9234 0005 84
22	Handle	Right	1	-
23(24-27)	Handle strap kit		1	9234 0002 78
24	Strap		1	-
25	Nut		1	-
26	Stud		1	-
27	Nut	M6MF M6	1	9234 0005 10
28	Strap		1	-
29	Nut		1	-
30	Stud		1	-
31	Nut	M6MF M6	1	9234 0005 10
32	Plastic tie band		1	9234 0004 69
33(34-48)	Handle kit	Left	1	9234 0005 69
34	Washer		1	9234 0005 84
35	Stop switch		1	9234 0001 11
36(37-45)	Protection pipe kit		1	9234 0005 32
37(38-40)	Protection pipe kit		1	9234 0002 55
38	Protection pipe		1	-
39	Cable, induction coil	L=690 mm	1	-
40	Cable, earth connection	L=395 mm	1	-
41(42-44)	Throttle cable kit		1	9234 0002 12
42	Wire		1	-
43	Outer cable		1	-
44	Adjustment screw with nut		1	-
45	Nipple		1	9234 0004 90
46	Cylindrical pin	CP 5x32 mm	1	9234 0005 65
47	Handle	Left	1	9234 0004 87
48	Throttle control		1	9234 0005 25

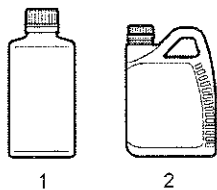
# Accessories

## Accessories



No.	Description	Remark	Quantity	Part Number
1	Trolley		1	9234 0006 54
2	Transport box		1	9234 0009 91
3	Fuel can	5.0 litres	1	9234 0008 97
4	Gloves, gel-filled, general	XL	1	
4	Gloves, gel-filled, general	XXL	1	9800 0098 01
4	Gloves, gel-filled, summer	L	1	
4	Gloves, gel-filled, summer	XL	1	9800 0435 01
4	Gloves, gel-filled, winter	L	1	9800 0290 01
4	Gloves, gel-filled, winter	XL	1	9800 0291 01

## Motor oil



No.	Description	Remark	Quantity	Part Number
1	2-stroke oil (motor oil)	1l (fully synthetic and biodegradable)	1	9238 2743 50
1	2-stroke oil (motor oil)	1l (fully synthetic and biodegradable)	12	9234 0014 06
2	Cobra & compactor impact-oil (transmission oil)	1l (for impact and transmission unit)	1	9234 0012 03
2	Cobra & compactor impact-oil (transmission oil)	1l (for impact and transmission unit)	20	9234 0014 05

Crowder Supply Co, Inc. 8495 Roslyn St Commerce City, CO 80022 (303) 433-5144 FAX: (303) 433-3928 Toll Free: (888) 883-5144 www.crowdersupply.com

## Kits

### Service kit

#### One month service kit

Part number 9234 0006 87

Description	Remark	Quantity	Part number
Spark plug		1	9234 0004 48
Air filter		1	9234 0001 36

#### Three months service kit

Part number 9234 0006 88

Description	Remark	Quantity	Part number
One month service kit		1	9234 0006 87
Scraper ring assembly		1	9234 0005 54
Gasket		1	9234 0001 28

#### Six months service kit

Part number 9234 0006 89

Description	Remark	Quantity	Part number
Three months service kit		1	9234 0006 88
O-ring		2	9234 0002 28
O-ring		1	9234 0002 29
O-ring		1	9234 0002 30
Filter		1	9234 2306 00
Piston ring assembly		2	9234 0002 71
Gasket		1	9234 0001 27
Gasket		1	9234 0001 37
Plastic bushing		2	9234 0003 35
Plastic bushing		3	9234 0005 75
Gasket		1	9234 0004 13
Gasket		1	9234 0002 67

#### Twelve months service kit

Part number 9234 0006 90

Description	Remark	Quantity	Part number
Six months service kit		1	9234 0006 89
Bearing and seal kit		1	9234 0003 18
Piston ring		2	9234 0000 07
Gasket		1	9234 0001 26

## Seal kit - 9234 0006 91

Description	Remark	Quantity	Part Number
<b>Complete seal kit</b>	Includes all seals for an overhaul	1	9234 0006 91
Gasket		1	9234 0001 37
Gasket		1	9234 0004 13
Gasket		1	9234 0002 67
Gasket		1	9234 0001 26
Seal		2	9234 0006 06
Seal		1	9234 0000 74
Gasket, crankcase		1	9234 0004 14
Gasket, transmission		1	9234 0004 15
Seal	1-1/4"	1	9234 0005 17
Seal	1-1/8"	1	9234 0005 24
<b>Scraper ring assembly</b>		1	9234 0005 54
Speed seal		1	-
O-ring		1	-
Lock ring		1	-
Scraper ring		1	-
Support ring		1	9234 0005 36
O-ring		2	9234 0002 28
O-ring		1	9234 0002 29
O-ring		1	9234 0002 30
<b>Piston ring assembly</b>		1	9234 0002 71
Piston ring		2	-
O-ring		2	-
Gasket		1	9234 0001 28
O-ring		1	9234 0310 90
Gasket		1	9234 0001 27

## Carburettor repair kit - 9234 0009 12

Description	Remark	Quantity	Part Number
<b>Carburettor repair kit</b>		1	9234 0009 12
Gasket		1	-
Gasket		1	-
Diaphragm		1	-
Diaphragm		1	-

Crowder Supply Co, Inc. 8495 Roslyn St Commerce City, CO 80022 (303) 433-5144 FAX: (303) 433-3928 Toll Free: (888) 883-5144 www.crowdersupply.com

Crowder Supply Co. Inc. 8495 Roslyn St Commerce City, CO 80022 (303) 433-5144 FAX: (303) 433-3928 Toll Free: (888) 863-5144 www.crowdersupply.com

Part number	Page	No.
0147 1335 03	10	63
0147 1345 03	10	64
0147 1347 03	10	62
0300 0274 74	10	74
	13	10
0301 2318 00	9	47
0301 2321 00	6	87
	17	16
0384 3310 00	6	57
3083 3197 00	18	13
	19	13
	19	13
	20	13
3083 3205 00	19	1
	20	1
3083 3206 00	19	1
	20	1
3083 3207 00	19	1
	20	1
3083 3208 00	19	2
	20	2
3083 3209 00	19	2
	20	2
3083 3210 00	19	2
	20	2
3083 3211 00	19	3
	20	3
3083 3212 00	19	4
	20	3
3083 3213 00	19	5
	20	4
3083 3214 00	19	6
	20	4
3083 3215 00	19	7
	20	5
3083 3216 00	19	8
	20	6
3083 3217 00	19	9
	20	7
3083 3217 10	19	9
	20	8
3083 3218 01	19	11
	20	11
3083 3267 00	19	1
3083 3268 00	19	2
3083 3269 00	19	11
3083 3271 00	18	1
3083 3272 00	18	1
3083 3273 00	18	1
3083 3274 00	18	2
3083 3275 00	18	2
3083 3276 00	18	2
3083 3277 00	18	3
3083 3278 00	18	4
3083 3279 00	18	5
3083 3280 00	18	6
3083 3281 00	18	7
3083 3282 00	18	8
3083 3283 01	18	11

Part number	Page	No.
3083 3289 00	19	3
3083 3290 00	19	4
3083 3291 00	19	5
3083 3292 00	19	6
3083 3293 00	19	7
3083 3294 00	19	8
3083 3301 00	18	12
	19	12
	19	12
	20	12
3083 3302 00	18	13
	19	13
	19	13
	20	13
3083 3319 00	18	9
3083 4015 10	19	1
3083 4015 20	19	1
3083 4016 10	19	2
3083 4016 20	19	2
3083 4017 00	19	3
3083 4019 00	19	4
4090 0369 00	14	61
9232 0115 30	5	42
	5	53
9232 0118 80	9	9
	9	45
9232 0120 00	10	52
9232 0122 00	6	66
9232 0123 51	13	46
9232 0124 00	6	68
9232 0207 50	5	2
	6	82
	9	34
	9	35
	17	15
9232 0208 80	5	32
9232 0209 00	6	59
	10	73
9232 0310 90	13	48
9232 0503 50	6	85
9232 0505 60	14	57
9232 0905 20	10	75
9232 0905 30	6	63
9232 2228 40	9	20
	10	67
9232 2237 91	5	3
9232 2306 00	17	7
9234 0000 07	9	4
	22	
9234 0000 08	9	5
9234 0000 09	9	6
9234 0000 19	5	7
9234 0000 20	5	1
9234 0000 26	5	35
9234 0000 32	10	69
9234 0000 38	9	12
9234 0000 40	5	46

Part number	Page	No.
9234 0000 41	5	47
9234 0000 45	5	50
9234 0000 54	5	48
9234 0000 56	5	11
9234 0000 59	5	49
9234 0000 63	5	33
9234 0000 67	9	43
9234 0000 69	9	42
9234 0000 71	9	40
9234 0000 72	9	21
9234 0000 74	9	19
	9	30
	23	
9234 0000 75	9	22
9234 0000 76	9	27
9234 0000 81	6	54
9234 0000 81	6	56
9234 0000 85	6	58
9234 0001 06	9	1
9234 0001 11	17	35
9234 0001 14	5	39
9234 0001 15	5	43
9234 0001 20	6	64
9234 0001 24	5	28
9234 0001 25	5	12
9234 0001 26	9	7
	22	
	23	
9234 0001 27	13	49
	22	
	23	
9234 0001 28	13	44
	22	
	23	
9234 0001 36	5	38
	22	
9234 0001 37	5	37
	22	
	23	
9234 0001 43	6	81
9234 0001 44	6	77
9234 0005 81	6	76
9234 0001 54	10	70
9234 0001 55	10	71
9234 0001 57	9	41
9234 0001 58	9	39
9234 0001 74	9	44
9234 0001 79	13	25
9234 0001 80	9	48
9234 0001 86	9	25
9234 0002 00	10	72
9234 0002 01	5	51
9234 0002 05	10	51
9234 0002 12	17	41
9234 0002 18	17	17
	17	18
	17	19

Crowder Supply Co, Inc. 8495 Roslyn St Commerce City, CO 80022 (303) 433-5144 FAX: (303) 433-3928 Toll Free: (888) 883-5144 www.crowdersupply.com

Part number	Page	No.	Part number	Page	No.	Part number	Page	No.
9234 0002 28	13	34	9234 0004 23	9	32	9234 0006 87	22	
	22			10	77	9234 0006 88	22	
	23			13	50	9234 0006 89	22	
9234 0002 29	13	35	9234 0004 48	9	11	9234 0006 91	23	
	22			22		9234 0007 50	17	11
	23		9234 0004 69	17	32	9234 0008 97	21	3
9234 0002 30	13	36	9234 0004 84	17	4	9234 0009 09	17	10
	22		9234 0004 85	17	6	9234 0009 12	23	
	23		9234 0004 86	6	87	9234 0009 91	21	2
9234 0002 43	6	74	9234 0004 87	17	47	9234 0009 95	5	14
9234 0002 45	14	56	9234 0004 90	17	45	9234 0009 96	5	15
9234 0002 49	14	58	9234 0004 91	5	45	9234 0010 04	13	11
9234 0002 55	17	37	9234 0005 10	17	27	9234 0010 08	5	18
9234 0002 65	5	27		17	31	9234 0010 09	5	22
9234 0002 67	6	71	9234 0005 17	13	20	9234 0010 29	6	60
	22			13	23	9234 0010 30	5	36
	23			23		9234 0012 03	21	2
9234 0002 71	13	39	9234 0005 24	13	14	9234 0014 05	21	2
	14	52		13	17	9234 0014 06	21	1
	22			23		9234 0014 19	10	78
	23		9234 0005 25	17	48	9234 0014 20	10	79
9234 0002 78	17	23	9234 0005 27	9	33	9234 0310 90	23	
9234 0002 79	9	26	9234 0005 32	17	36	9234 2306 00	22	
9234 0002 81	10	50	9234 0005 33	5	17	9238 2738 70	14	66
9234 0002 82	9	36		6	62	9238 2738 80	14	67
9234 0002 84	14	63	9234 0005 35	13	24	9238 2743 00	14	64
9234 0002 97	5	30	9234 0005 36	13	32	9238 2743 10	14	65
	17	8		23		9238 2743 50	21	1
9234 0002 98	5	31	9234 0005 44	13	21	9245 2826 81	19	10
9234 0002 99	6	79	9234 0005 47	13	26		20	9
9234 0003 00	13	37	9234 0005 48	13	18	9245 2827 10	18	14
9234 0003 01	14	51	9234 0005 49	13	15		19	14
9234 0003 04	10	66	9234 0005 50	13	12		19	14
9234 0003 18	9	13	9234 0005 54	13	27		19	14
	22			22			20	14
9234 0003 20	9	28		23			21	4
9234 0003 24	9	49	9234 0005 97	13	1	9800 0098 01	21	4
9234 0003 32	6	78	9234 0005 65	17	46	9800 0290 01	21	4
9234 0003 35	6	84	9234 0005 68	17	20	9800 0291 01	21	4
	22		9234 0005 69	17	33		21	4
9234 0003 36	6	80	9234 0005 75	10	76	9800 0435 01	21	4
9234 0003 40	9	8		22				
9234 0003 43	5	21	9234 0005 80	13	42			
9234 0003 45	5	10	9234 0005 81	6	75			
9234 0003 54	5	6	9234 0005 84	17	12			
9234 0003 96	9	18		17	21			
	9	29		17	34			
	14	60	9234 0006 01	10	58			
9234 0004 02	6	70	9234 0006 05	17	9			
9234 0004 08	13	43	9234 0006 06	9	15			
9234 0004 10	6	73		23				
9234 0004 12	14	62	9234 0006 37	13	3			
9234 0004 13	6	69	9234 0015 19	17	2			
	22		9234 0006 47	17	1			
	23		9234 0006 54	21	1			
9234 0004 14	9	23	9234 0006 74	6	72			
	23		9234 0006 82	10	65			
9234 0004 15	9	24	9234 0006 86	5	40			
	23							