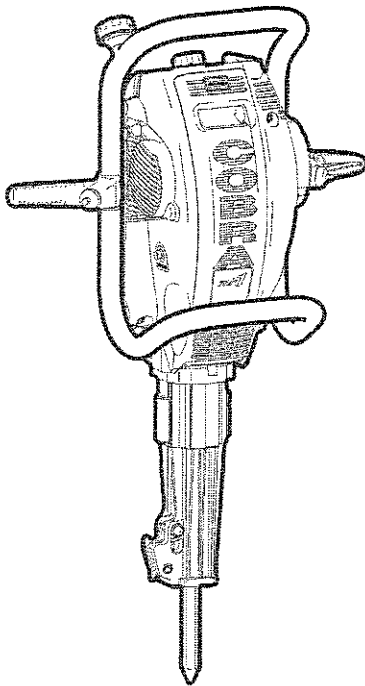


Spare parts list  
Liste de pièces de rechange  
Ersatzteilliste  
Lista de piezas de repuesto  
Lista de peças  
Listino ricambi  
Onderdelenlijst  
Καταλογος ανταλλακτικῶν  
Varaosu luettelo  
Reservdelsliste  
Reservdelfortegnelse  
Reservdelsförteckning

Motor breaker  
Marteaux-piqueurs autonome  
Motorhammer  
Rompedor autónomo  
Martelo demolidor  
Demolitore a motore  
Autonome sloophamer  
Κρουστική σκύρα  
Moottorikanki  
Motorafbryder  
Maiselmaskin  
Motorspett

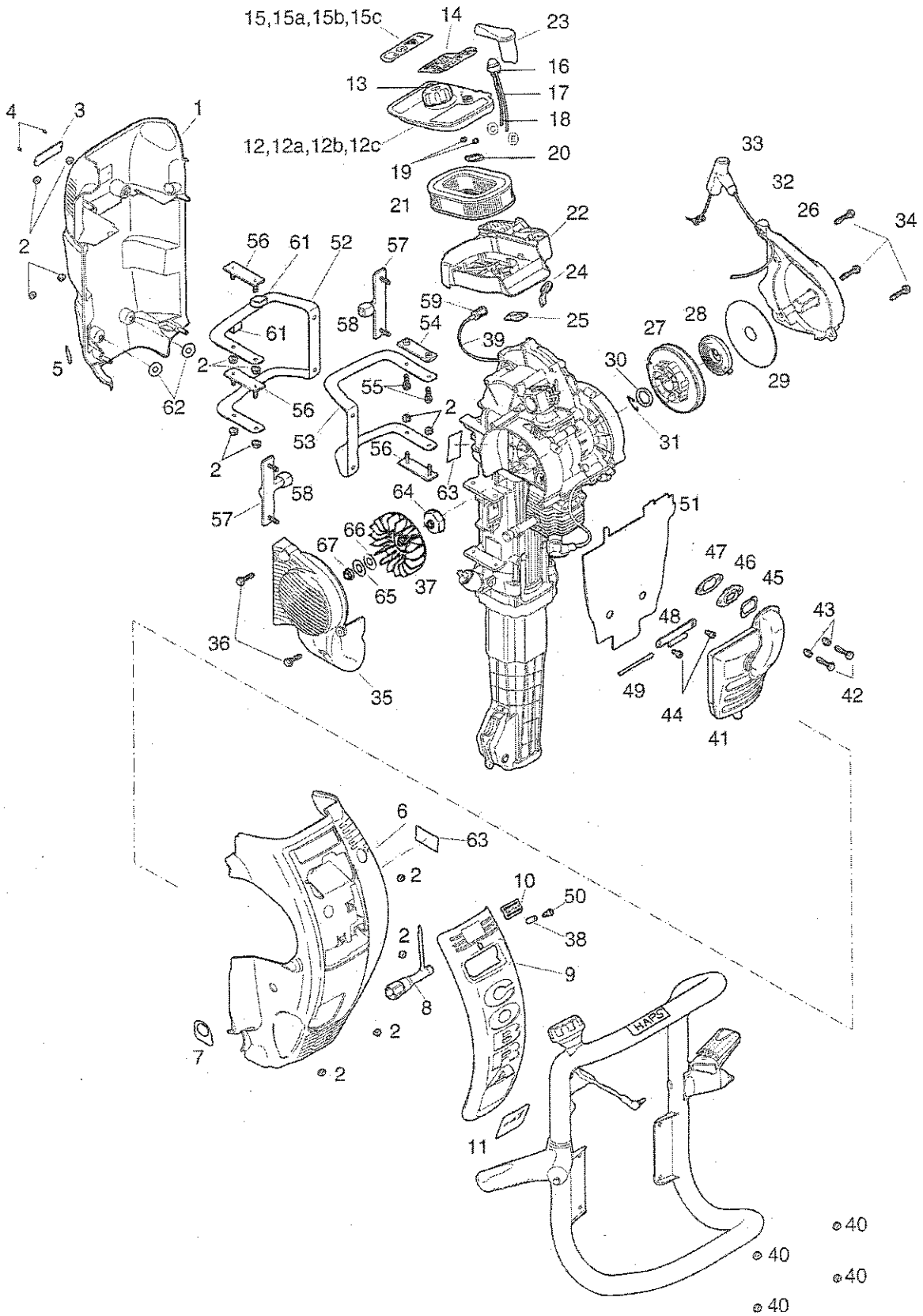


**COBRA<sup>®</sup>mk1**

From serial number KAL 003300

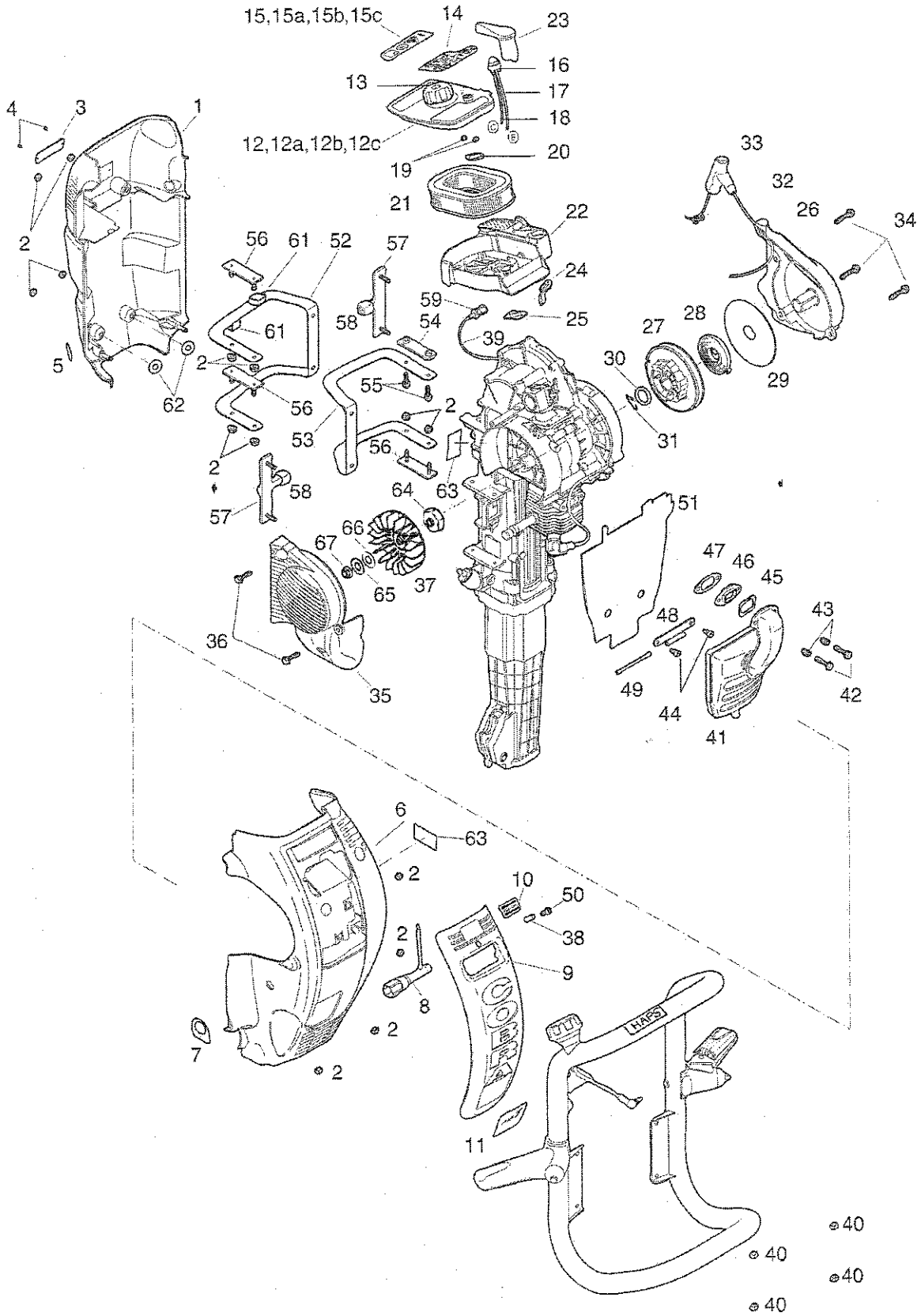
ASL  
2001-08

A



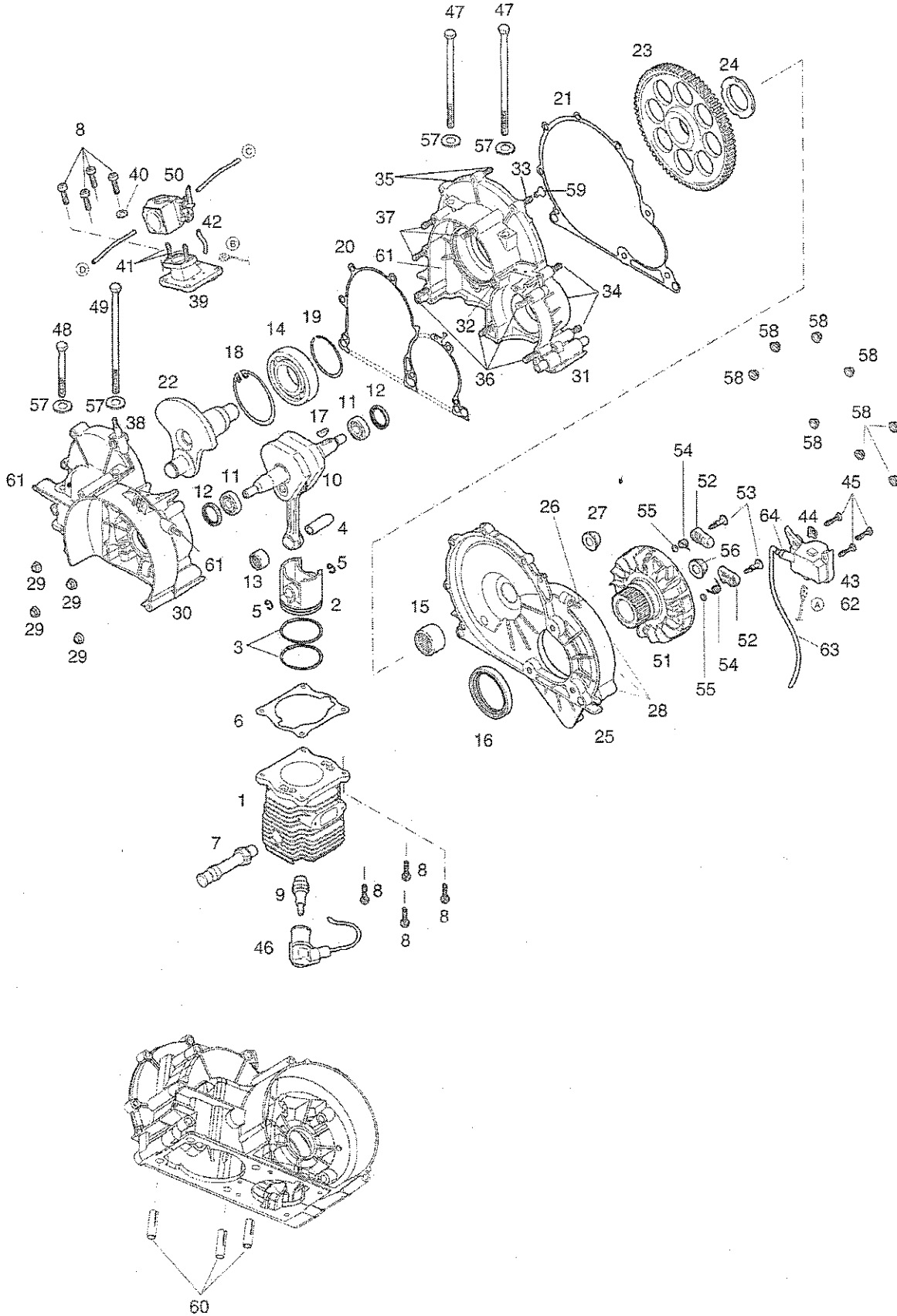
| Fig. No.<br>No. de fig.<br>Abb. Nr.<br>Núm. de fig.<br>Fig. No<br>No rif.<br>Fig. Nr<br>Αριθ. Σχ.<br>Kuva nr.<br>Fig. nr.<br>Fig. nr.<br>Fig. nr. | Ordering No<br>Référence<br>Bestellnummer<br>Núm. pedido<br>Encomenda No<br>No Cat.<br>Bestel nr.<br>Αριθ. Παραγγελίας<br>Tilaus nro.<br>Bestillingsnummer<br>Bestillingsnummer<br>Best. nummer. | Quantity<br>Quantité<br>Anzahl<br>Cantidad<br>Quantidade<br>Quantität<br>Aantal<br>Ποσότητα<br>Lukumäärä<br>Antal<br>Antall<br>Antal | Description<br>Description<br>Beschreibung<br>Descripción<br>Descrição<br>Descripción<br>Omskrivning<br>Περιγραφή<br>Nimitys<br>Beskrivelse<br>Beskrivelse<br>Beskrivning | Contents<br>Sommaire<br>Inhalt<br>Indice<br>Conteúdo<br>Contenuto<br>Inhoud<br>Περιεχόμενα<br>Sisältö<br>Inndhold<br>Innhold<br>Innehåll | Dimensions<br>Dimensions<br>Abmessungen<br>Dimensiones<br>Dimensões<br>Dimensioni<br>Afmetingen<br>Μετρήσεις<br>Dimensioner<br>Dimensioner<br>Dimensioner |
|---|--|--|---|--|---|
| 1   | 9234 0000 20   | 1  | Back Cover  |  |   |
| 2   | 9232 0207 50   | 14   | Nut   |  | M6  |
| [3]   | 9232 2237 91   | 1  | CE Machine Data Plate   | 3-4  |   |
| 3   | -  | 1  | CE Machine Data Plate   | *)   |   |
| 4   | -  | 2  | Rivets  | *)   |   |
| 5   | 9234 0003 54   | 1  | Oil Level Decal   |  |   |
| 6   | 9234 0000 19   | 1  | Front Cover   |  |   |
| 7   | 9234 0003 45   | 1  | Decal, De-Compression, Valve  |  |   |
| 8   | 9234 0000 56   | 1  | Spark Plug Key  |  |   |
| [9]   | 9234 0001 25   | 1  | Service Cover Assy  | 9 -11, 38, 50  |   |
| 9   | -  | 1  | Service Cover   | *)   |   |
| 10  | 9234 0003 98   | 1  | Decal, Atlas Copco  |  |   |
| 11  | 9234 0003 55   | 1  | Decal, mk1  |  |   |
| [12]  | 9234 0010 08   | 1  | Filter Cover Assy   | 12-15  | 32X160 / 1 1/4"X6 1/4"  |
| [12a]   | 9234 0004 76   | 1  | Filter Cover Assy   | 12-14, 15a   | 28X160 / 1 1/8"X6 1/4"  |
| [12b]   | 9234 0004 80   | 1  | Filter Cover Assy   | 12-14, 15b   | 32X152 / 1 1/4"X6"  |
| [12c]   | 9234 0010 08   | 1  | Filter Cover Assy   | 12-14, 15c   | 28X152 / 1 1/8"X6"  |
| 12  | -  | 1  | Filter Cover  | *)   |   |
| 13  | -  | 1  | Filter Cover Knob   | *)   |   |
| 14  | 9234 0003 43   | 1  | Decal, start instruction  |  |   |
| 15  | 9234 0003 44   | 1  | Decal, sound/shank/warnings triangle  |  | 32X160 / 1 1/4"X6 1/4"  |
| 15a   | 9234 0004 73   | 1  | Decal, sound/shank/warnings triangle  |  | 28X160 / 1 1/8"X6 1/4"  |
| 15b   | 9234 0004 74   | 1  | Decal, sound/shank/warnings triangle  |  | 32X152 / 1 1/4"X6"  |
| 15c   | 9234 0004 75   | 1  | Decal, sound/shank/warnings triangle  |  | 28X152 / 1 1/8"X6"  |
| [16]  | 9234 0001 24   | 1  | Prime Pump Assy   | 16-18  |   |
| 16  | -  | 1  | Prime Pump  | *)   |   |
| 17  | 9234 0002 97   | 1  | Pipe, tank connection (E)   |  | L=340   |
| 18  | 9234 0002 98   | 1  | Pipe, carburettor connection (C)  |  | L=169   |
| 19  | 9232 0208 80   | 2  | Nut   |  | M5  |
| 20  | 9234 0000 63   | 1  | Plate   |  |   |
| 21  | 9234 0001 36   | 1  | Air Filter  |  |   |
| [22]  | 9234 0002 65   | 1  | Filter Housing Assy   | [16] 19, 20, 22-25   |   |
| 22  | -  | 1  | Filter Housing  | *)   |   |
| 23  | 9234 0000 26   | 1  | Choke Handle  |  |   |
| 24  | 9234 0000 27   | 1  | Choke Arm   |  |   |
| 25  | 9234 0001 37   | 1  | Gasket  |  |   |
| [26]  | 9234 0001 14   | 1  | Starter Cover Assy  | [26] [27] 33   |   |
| [26]  | 9234 0006 86   | 1  | Starter Cover Assy  | 34, 26   |   |
| 26  | -  | 1  | Starter Cover   | *)   |   |
| [27]  | 9234 0001 15   | 1  | Pulley Wheel Assy   | 27-32  |   |
| 27  | -  | 1  | Pulley Wheel  | *)   |   |
| 28  | 9234 0004 91   | 1  | Starter Spring  |  |   |
| 29  | 9234 0000 40   | 1  | Fiber Washer, inner   |  |   |
| 30  | 9234 0000 41   | 1  | Washer  |  |   |

A



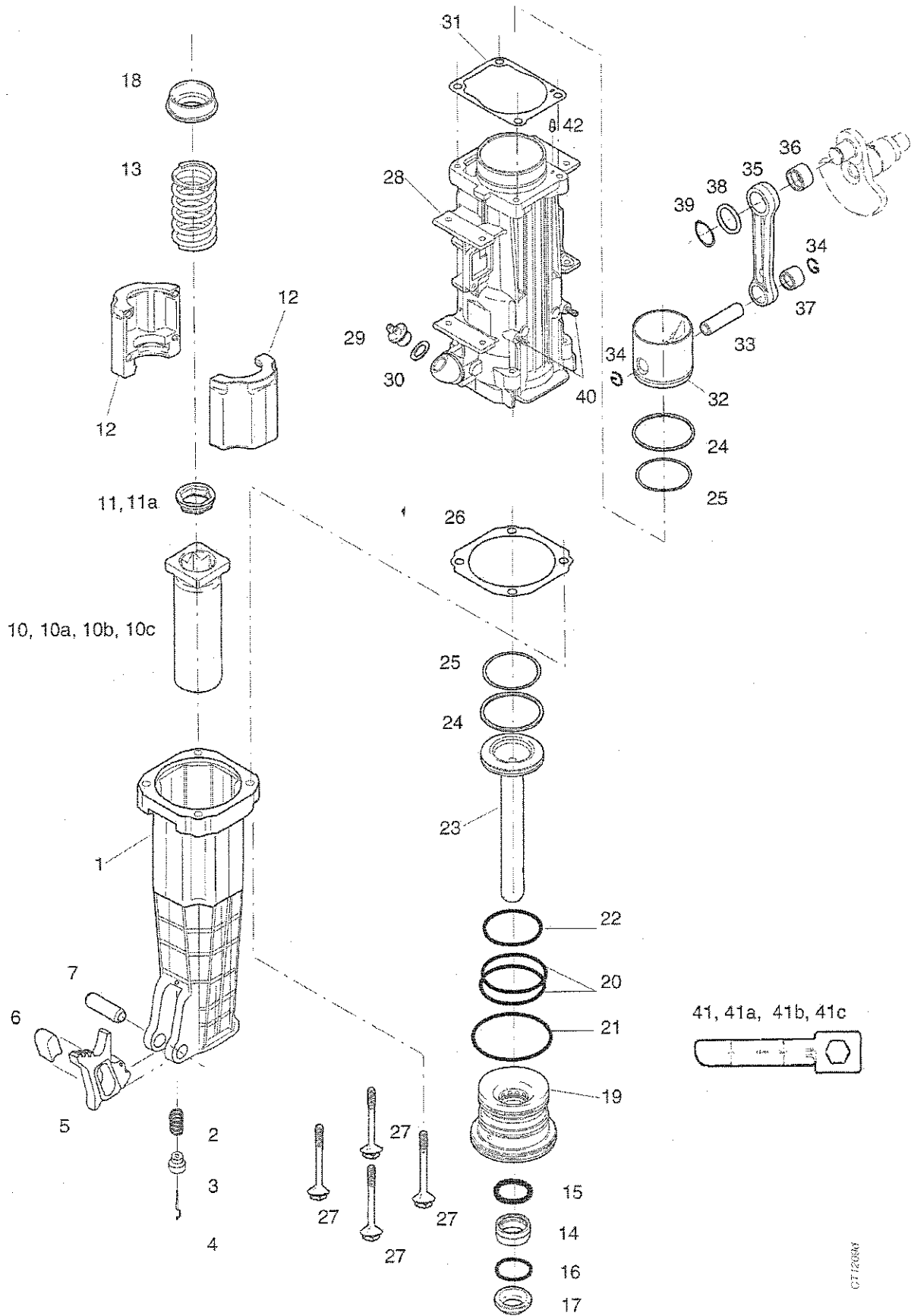
| Fig. No.<br>No. de fig.<br>Abb. Nr.<br>Núm de fig.<br>Fig. No<br>No rif.<br>Fig. Nr<br>Αριθ Σχ.<br>Kuva nr.<br>Fig. nr.<br>Fig. nr.<br>Fig. nr. | Ordering No<br>Référéncé<br>Bestellnummer<br>Núm. pedido<br>Encomenda No<br>No Cat.<br>Bestel nr.<br>Αριθ. Παραγγελίας<br>Tilaus nro.<br>Bestillingsnummer<br>Bestillingsnummer<br>Best. nummer | Quantity<br>Quantité<br>Anzahl<br>Cantidad<br>Quantidade<br>Quantità<br>Aantal<br>Ποσότητα<br>Lukumäärä<br>Antal<br>Antal<br>Antal | Description<br>Description<br>Beschreibung<br>Descripción<br>Descrição<br>Description<br>Omschrijving<br>Περιγραφή<br>Nimitys<br>Beskrivelse<br>Beskrivelse<br>Beskrivning | Contents<br>Sommaire<br>Inhalt<br>Indice<br>Conteúdo<br>Contenuto<br>Inhoud<br>Περιεχόμενα<br>Sisältö<br>Innhold<br>Innhold<br>Innehåll | Dimensions<br>Dimensions<br>Abmessungen<br>Dimensiones<br>Dimensões<br>Dimensioni<br>Afmetingen<br>Διαστάσεις<br>Mitat<br>Dimensioner<br>Dimensioner<br>Dimensioner |
|---|---|--|--|---|---|
| 31  | 9234 0000 54  | 1  | Locking Spring   |   |   |
| 32  | 9234 0000 59  | 1  | Rope   |   |   |
| 33  | 9234 0000 45  | 1  | Handle   |   |   |
| 34  | 9232 0115 30  | 3  | Screw  |   | M6SF 6x20   |
| [35]  | 9234 0002 01  | 1  | Fan cover assy   | 35-36   |   |
| 35  | -   | 1  | Fan cover  | *)  |   |
| 36  | 9232 0115 30  | 2  | Screw  |   | M6SF 6x20   |
| [37]  | 9234 0000 81  | 1  | Fan Assy   | 37, 64-67   |   |
| 37  | -   | 1  | Fan  | *)  |   |
| 38  | 9234 0010 29  | 1  | Rubber insert  |   |   |
| 39  | 9234 0002 73  | 1  | Pipe   |   | L=142   |
| 40  | 9232 0207 50  | 2  | Nut  |   | M6  |
| [41]  | 9234 0001 20  | 1  | Muffler Assy   | 41-49   |   |
| 41  | -   | 1  | Muffler  | *)  |   |
| 42  | 9232 0122 00  | 2  | Screw  |   | M6SF 6x45   |
| 43  | 9234 0004 86  | 2  | Spring   |   |   |
| 44  | 9232 0124 00  | 2  | Screw  |   | M6S 6X12 8.8  |
| 45  | 9234 0004 13  | 1  | Gasket   |   |   |
| 46  | 9234 0004 02  | 1  | Muffler insert   |   |   |
| 47  | 9234 0002 67  | 1  | Gasket   |   |   |
| 48  | 9234 0006 74  | 1  | Hinge  |   |   |
| 49  | 9234 0004 10  | 1  | Hinge pin  |   | FRP Ø5x80   |
| 50  | 9234 0005 33  | 1  | Screw  |   |   |
| 51  | 9234 0002 43  | 1  | Heat Shield  |   |   |
| [52]  | 9234 0005 81  | 1  | Leaf Spring Assy   | 52, 53  |   |
| 52  | -   | 1  | Leaf Spring, right   | *)  |   |
| 53  | -   | 1  | Leaf Spring, left  | *)  |   |
| 54  | 9234 0003 32  | 1  | Pressure plate, top left   |   |   |
| 55  | 9234 0002 99  | 2  | Screw  |   | M6SF 6x16 FZB   |
| 56  | 9234 0003 36  | 3  | Pressure Plate   |   |   |
| [57]  | 9234 0001 43  | 1  | End Stop Bracket Assy  | 40, 57, 58  |   |
| 57  | -   | 1  | End Stop Bracket   | *)  |   |
| 58  | 9234 0003 35  | 1  | Plastic Bush   |   |   |
| 59  | 9232 2306 00  | 1  | Filter   |   |   |
| 61  | 9234 0005 87  | 2  | Dampening Cushion  |   |   |
| 62  | 0301 2321 00  | 2  | Washer   |   |   |
| 63  | -   | 2  | EPA Decal  | *)  |   |
| 64  | 9234 0000 81  | 1  | Hub  |   |   |
| 65  | 0384 3310 00  | 1  | Cup Spring   |   |   |
| 66  | 9234 0000 85  | 1  | Washer   |   |   |
| 67  | 9232 0209 00  | 1  | Nut  |   |   |

**B**



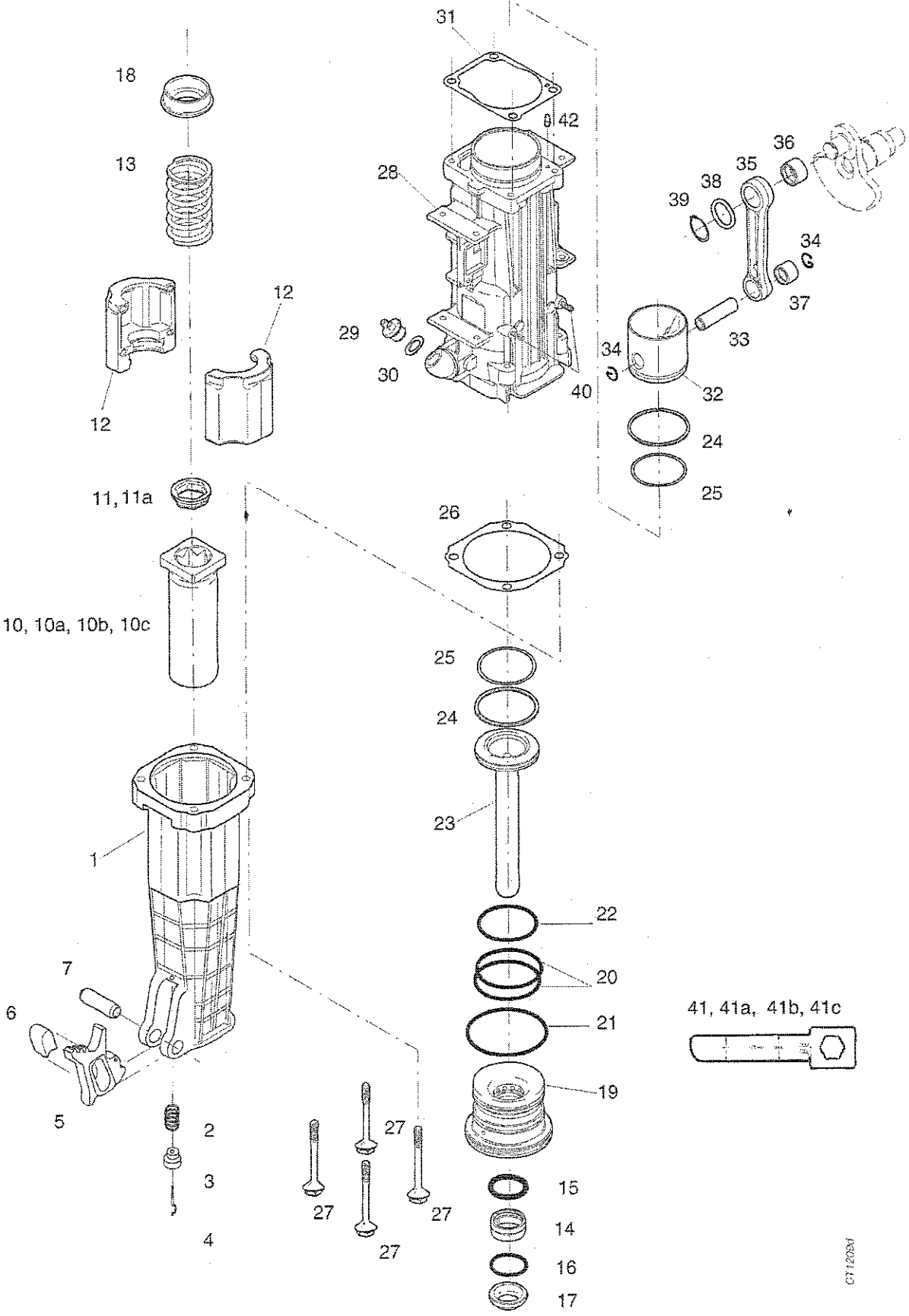
| Fig. No.<br>No. de fig.<br>Abb. Nr.<br>Núm de fig.<br>Fig. No<br>No rif.<br>Fig. Nr<br>Αριθ Σχ.<br>Kuva nr.<br>Fig. nr.<br>Fig. nr. | Ordering No<br>Référence<br>Bestellnummer<br>Núm. pedido<br>Encomenda No<br>No Cat.<br>Bestel nr.<br>Αριθ. Παραγγελίας<br>Tilaus nro.<br>Bestillingsnummer<br>Bestillingsnummer | Quantity<br>Quantité<br>Anzahl<br>Beschreibung<br>Cantidad<br>Descripción<br>Quantidade<br>Quantia<br>Aantal<br>Ποσότητα<br>Lukumäärä<br>Antal<br>Antall | Description<br>Description<br>Beschreibung<br>Descripción<br>Descrição<br>Description<br>Omskrivning<br>Περιγραφή<br>Nimitys<br>Beskrivelse<br>Beskrivelse | Contents<br>Sommaire<br>Inhalt<br>Indice<br>Conteúdo<br>Contenuto<br>Inhoud<br>Περιεχόμενα<br>Sisältö<br>Indhold<br>Innhold | Dimensions<br>Dimensions<br>Abmessungen<br>Dimensiones<br>Dimensões<br>Dimensioni<br>Afmetingen<br>Διαστάσεις<br>Mitat<br>Dimensioner<br>Dimensjoner |
|---|---|--|--|---|--|
| [1]   | 9234 0001 06  | 1  | Motor Cylinder Assy  | 1-8, 13   |  |
| 1   | -   | 1  | Cylinder   | *)  |  |
| 2   | -   | 1  | Piston   | *)  |  |
| 3   | 9234 0000 07  | 2  | Piston Ring  |   |  |
| 4   | 9234 0000 08  | 1  | Gudgeon Pin  |   |  |
| 5   | 9234 0000 09  | 2  | Lock Ring  |   |  |
| 6   | 9234 0001 26  | 1  | Gasket   |   |  |
| 7   | 9234 0003 40  | 1  | De-Compression Valve   |   |  |
| 8   | 9232 0118 80  | 4  | Screw  |   |  |
| 9   | 9234 0004 48  | 1  | Spark Plug Assy  |   | Champion RCJ8  |
| 10  | 9234 0000 38  | 1  | Motor Crankshaft   |   |  |
| [11]  | 9234 0003 18  | 1  | Bearing/Seal Kit   | 11-21   |  |
| 11  | -   | 2  | Ball Bearing   | *)  |  |
| 12  | 9234 0006 06  | 2  | Seal   |   |  |
| 13  | -   | 1  | Needle Bearing   | *)  |  |
| 14  | -   | 1  | Ball Bearing   | *)  |  |
| 15  | 9234 0003 96  | 1  | Needle Bearing   |   |  |
| 16  | 9234 0000 74  | 1  | Seal   |   |  |
| 17  | 9232 2228 40  | 1  | Woodruff Key   |   |  |
| 18  | 9234 0000 72  | 1  | Lock Ring  |   |  |
| 19  | 9234 0000 75  | 1  | Lock Ring  |   |  |
| 20  | 9234 0004 14  | 1  | Gasket, crankcase  |   |  |
| 21  | 9234 0004 15  | 1  | Gasket, transmission cover   |   |  |
| 22  | 9234 0001 86  | 1  | Transmission Axle  |   |  |
| 23  | 9234 0002 79  | 1  | Transmission Cog Wheel   |   |  |
| 24  | 9234 0000 76  | 1  | Nut  |   | KML-6 left   |
| [25]  | 9234 0003 20  | 1  | Transmission Cover Assy  | 15, 16, 25-28, 58   |  |
| 25  | -   | 1  | Transmission Cover   | *)  |  |
| 26  | 9234 0004 23  | 1  | Stud   |   | M6x18, L=28  |
| 27  | 9234 0005 27  | 1  | Oil Level plug   |   | R1/4"  |
| 28  | -   | 3  | Thread insert  | *)  |  |
| 29  | 9232 0207 50  | 16   | Nut  |   | M6   |
| [30]  | 9234 0002 82  | 1  | Crankcase Assy   | 20, 29-38, 59, 61   |  |
| 30  | -   | 1  | Crankcase, fan side  | *)  |  |
| 31  | -   | 1  | Crankcase, transmission side   | *)  |  |
| 32  | 9234 0001 58  | 1  | Stud   |   | M6x70, L=85  |
| 33  | 9234 0000 68  | 1  | Stud   |   | M6x35, L=50  |
| 34  | 9234 0000 71  | 3  | Stud   |   | M6x20, L=32  |
| 35  | 9234 0001 57  | 4  | Stud   |   | M6x25, L=40  |
| 36  | 9234 0000 69  | 4  | Stud   |   | M6x50, L=65  |
| 37  | 9234 0000 67  | 3  | Stud   |   | M6x30, L=45  |
| 38  | 9234 0003 27  | 1  | Stud   |   |  |

C



| Fig. No.<br>No. de fig.<br>Abb. Nr.<br>Núm de fig.<br>Fig. No<br>No rif.<br>Fig. Nr<br>Αριθ Σχ.<br>Kuva nr.<br>Fig. nr.<br>Fig. nr.<br>Fig. nr. | Ordering No<br>Référence<br>Bestellnummer<br>Núm. pedido<br>Encomenda No<br>No Cat.<br>Bestel nr.<br>Αριθ. Παραγγελίας<br>Tilaus nro.<br>Bestillingsnummer<br>Bestillingsnummer<br>Best. nummer | Quantity<br>Quantité<br>Anzahl<br>Cantidad<br>Quantidade<br>Quantität<br>Aantal<br>Ποσότητα<br>Lukumäärä<br>Antal<br>Antal<br>Antal | Description<br>Description<br>Beschreibung<br>Descripción<br>Descrição<br>Description<br>Omschrijving<br>Περιγραφή<br>Nimitys<br>Beskrivelse<br>Beskrivelse<br>Beskrivning | Contents<br>Sommaire<br>Inhalt<br>Índice<br>Conteúdo<br>Contenuto<br>Inhoud<br>Περιεχόμενα<br>Sisältö<br>Indhold<br>Innhold<br>Innehåll | Dimensions<br>Dimensions<br>Abmessungen<br>Dimensiones<br>Dimensões<br>Dimensioni<br>Afmetingen<br>Διαστάσεις<br>Mitat<br>Dimensioner<br>Dimensioner<br>Dimensioner |
|---|---|---|--|---|---|
| [1]   | 9234 0005 55  | 1   | Breaker Housing Assy   | 1, [5]  |   |
| 1   | -   | 1   | Breaker Housing  | *)  |   |
| 2   | -   | 1   | Spring   | *)  |   |
| 3   | -   | 1   | Guide  | *)  |   |
| 4   | -   | 1   | Guide Pin  | *)  |   |
| [5]   | 9234 0006 37  | 1   | Tool Latch Assy  | 2-7   |   |
| 5   | -   | 1   | Tool Latch   | *)  |   |
| 6   | -   | 1   | Tool Latch Insert  | *)  |   |
| 7   | -   | 1   | Spring Pin   | *   |   |
| 8   |   |   |  |   |   |
| 9   |   |   |  |   |   |
| [10]  | 9234 0005 44  | 1   | Tool Chuck Assy  | 10,11   | 32X160,1 1/4"X6 1/4"  |
| 10  | -   | 1   | Tool Chuck   | *)  | 32X160,1 1/4"X6 1/4"  |
| [10a]   | 9234 0005 48  | 1   | Tool Chuck Assy  | 10a,11  | 32X152,1 1/4"X6"  |
| 10a   | -   | 1   | Tool Chuck   | *)  | 32X152,1 1/4"X6"  |
| [10b]   | 9234 0005 49  | 1   | Tool Chuck Assy  | 10b,11a   | 28X160,1 1/8"X6 1/4"  |
| 10b   | -   | 1   | Tool Chuck   | *)  | 28X160,1 1/8"X6 1/4"  |
| [10c]   | 9234 0005 50  | 1   | Tool Chuck Assy  | 10c, 11a  | 28X152,1 1/8"X6"  |
| 10c   | -   | 1   | Tool Chuck   | *)  | 28X152,1 1/8"X6"  |
| 11  | 9234 0005 17  | 1   | Seal   |   | 1 1/4"  |
| 11a   | 9234 0005 24  | 1   | Seal   |   | 1 1/8"  |
| 12  | 9234 0005 35  | 2   | Feed stop  |   |   |
| 13  | 9234 0001 79  | 1   | Recoil Spring  |   |   |
| [14]  | 9234 0005 54  | 1   | Scraper Ring Assy  | 14-18   |   |
| 14  | -   | 1   | Speed seal   | *)  |   |
| 15  | -   | 1   | O-ring   | *)  |   |
| 16  | -   | 1   | Lock Ring  | *)  |   |
| 17  | -   | 1   | Scraper Ring   | *)  |   |
| 18  | 9234 0005 36  | 1   | Support Ring   |   |   |
| [19]  | 9234 0005 47  | 1   | Tool Guide Assy  | [14] 19-22  |   |
| 19  | -   | 1   | Tool Guide   | *)  |   |
| 20  | 9234 0002 28  | 2   | O-ring   |   |   |
| 21  | 9234 0002 29  | 1   | O-ring   |   |   |
| 22  | 9234 0002 30  | 1   | O-ring   |   |   |
| [23]  | 9234 0003 00  | 1   | Hammer Piston Assy   | 23 [24]   |   |
| 23  | -   | 1   | Hammer Piston  | *)  |   |
| [24]  | 9234 0002 71  | 1   | Piston Ring Assy   | 24-25   |   |
| 24  | -   | 2   | Piston Ring  | *)  |   |
| 25  | -   | 2   | O-ring   | *)  |   |
| 26  | 9234 0001 28  | 1   | Gasket   |   |   |
| 27  | 9234 0005 80  | 4   | Screw  |   |   |

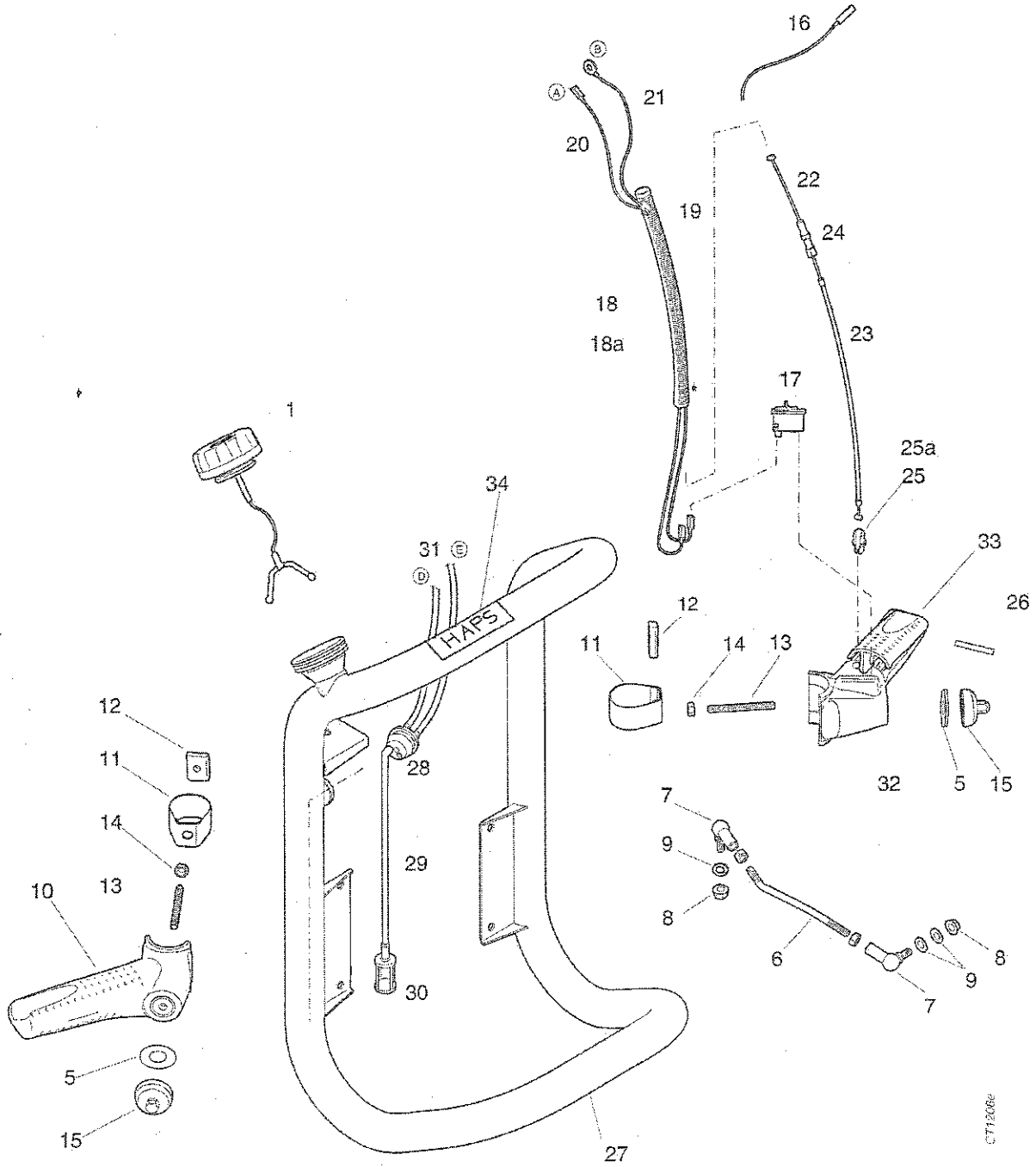
C



CT 12084

| Fig. No.<br>No. de fig.<br>Abb. Nr.<br>Núm de fig.<br>Fig. No<br>No rif.<br>Fig. Nr<br>Αριθ Σχ.<br>Kuva nr.<br>Fig. nr.<br>Fig. nr.<br>Fig. nr. | Ordering No<br>Référéce<br>Bestellnummer<br>Núm. pedido<br>Encomenda No<br>No Cat.<br>Bestel nr.<br>Αριθ. Παραγγελίας<br>Tilaus nro.<br>Bestillingsnummer<br>Bestillingsnummer<br>Best. nummer | Quantity<br>Quantité<br>Anzahl<br>Cantidad<br>Quantidade<br>Quantitá<br>Aantal<br>Ποσότητα<br>Lukumäärä<br>Antal<br>Antal<br>Antal | Description<br>Description<br>Beschreibung<br>Descripción<br>Descrição<br>Description<br>Omschrijving<br>Περιγραφή<br>Nimitys<br>Beskrivelse<br>Beskrivelse<br>Beskrivning | Contents<br>Sommaire<br>Inhalt<br>Índice<br>Conteúdo<br>Contenuto<br>Inhoud<br>Περιεχόμενα<br>Sisältö<br>Indhold<br>Innhold<br>Innehåll | Dimensions<br>Dimensions<br>Abmessungen<br>Dimensiones<br>Dimensioni<br>Afmetingen<br>Διαστάσεις<br>Mitat<br>Dimensioner<br>Dimensioner<br>Dimensioner |
|---|--|--|--|---|--|
| [28]  | 9234 0004 08   | 1  | Hammer Cylinder Assy   | 26, 28 [29] 31, 40, 42  |  |
| 28  | -  | 1  | Hammer Cylinder  | *)  |  |
| [29]  | 9232 0123 51   | 1  | Oil Plug Assy  | 29-30   |  |
| 29  | -  | 1  | Oil Plug   | *)  |  |
| 30  | 9232 0310 90   | 1  | O-ring   |   |  |
| 31  | 9234 0001 27   | 1  | Gasket   |   |  |
| [32]  | 9234 0003 01   | 1  | Drive Piston Assy  | [24] 32-34  |  |
| 32  | -  | 1  | Drive Piston   | *)  |  |
| 33  | 9234 0002 45   | 1  | Gudgeon Pin  |   |  |
| 34  | 9232 0505 60   | 2  | Circlip  |   |  |
| [35]  | 9234 0002 49   | 1  | Connection Rod Assy  | 35-39   |  |
| 35  | -  | 1  | Connection Rod   | *)  |  |
| 36  | 9234 0003 96   | 1  | Needle Bearing   |   |  |
| 37  | 4090 0369 00   | 1  | Needle Bearing   |   |  |
| 38  | 9234 0004 12   | 1  | Shim   |   |  |
| 39  | 9234 0002 84   | 1  | Lock Ring  |   |  |
| 40  | 9234 0004 23   | 2  | Stud   | M6x18 L=28 mm   |  |
| 41  | 9238 2738 80   | 1  | Template   | 32x160, 1¼"x6¼"   |  |
| 41a   | 9238 2738 70   | 1  | Template   | 32x152, 1¼"x6"  |  |
| 41b   | 9238 2743 00   | 1  | Template   | 28x152, 1½"x6"  |  |
| 41c   | 9238 2743 10   | 1  | Template   | 28x160, 1½"x6¼"   |  |
| 42  | 9234 0004 06   | 1  | Guide pin  |   |  |

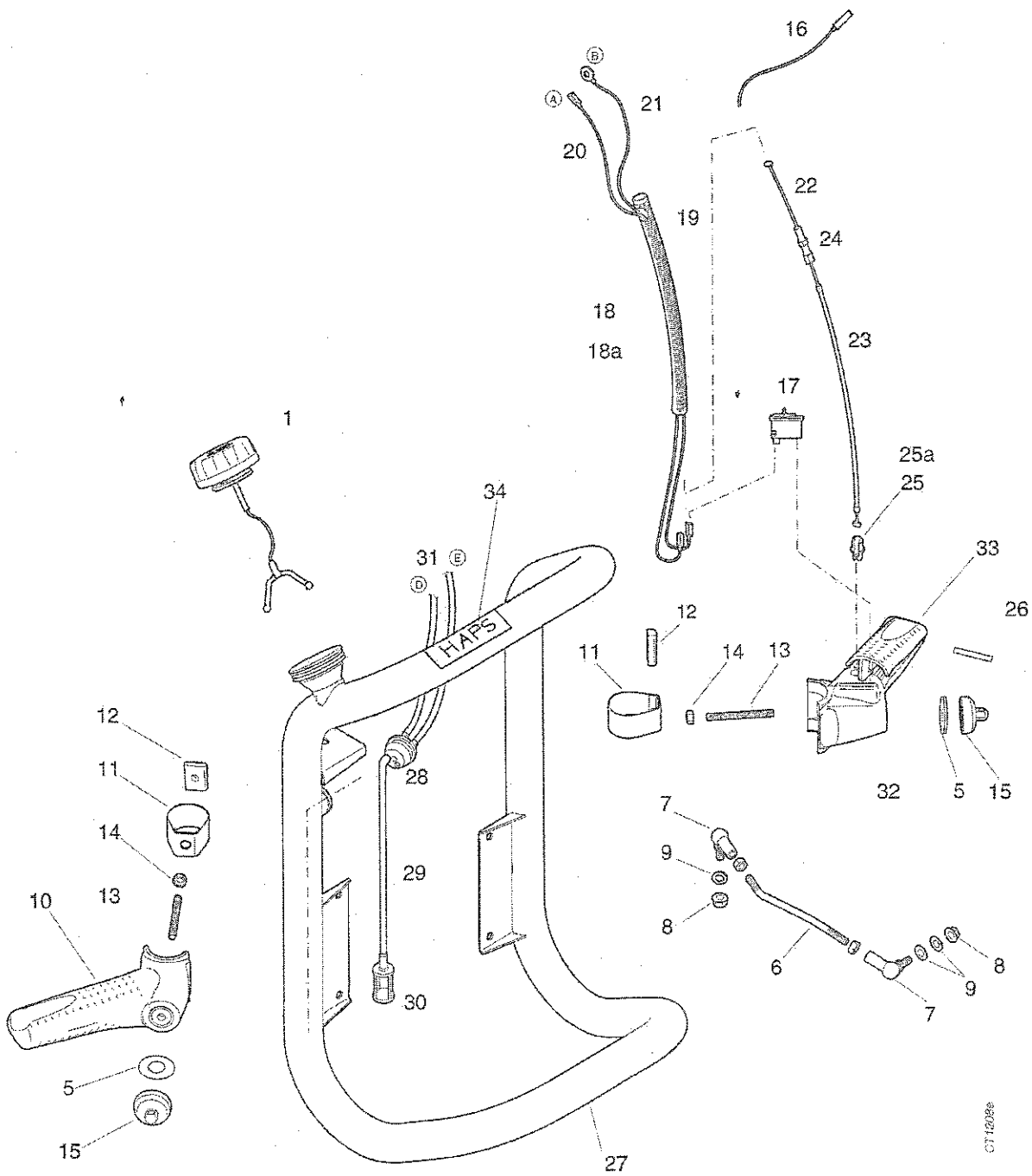
# D



CT1206c

| Fig. No.<br>No. de fig.<br>Abb. Nr.<br>Núm de fig.<br>Fig. No<br>No rif.<br>Fig. Nr<br>Αριθ. Σχ.<br>Kuva nr.<br>Fig. nr.<br>Fig. nr. | Ordering No<br>Référence<br>Bestellnummer<br>Núm. pedido<br>Encomenda No<br>No Cat.<br>Bestel nr.<br>Αριθ. Παραγγελίας<br>Tilaus nro.<br>Bestillingsnummer<br>Bestillingsnummer | Quantity<br>Quantité<br>Anzahl<br>Cantidad<br>Quantidade<br>Quantität<br>Αantal<br>Ποσότητα<br>Lukumäärä<br>Antal<br>Antall | Description<br>Description<br>Beschreibung<br>Descripción<br>Descrição<br>Περιγραφή<br>Nimitys<br>Beskrivelse<br>Beskrivelse | Contents<br>Sommaire<br>Inhalt<br>Índice<br>Conteúdo<br>Contenuto<br>Inhoud<br>Περιεχόμενα<br>Sisältö<br>Índhold<br>Innhold | Dimensions<br>Dimensions<br>Abmessungen<br>Dimensiones<br>Dimensões<br>Dimensioni<br>Åfmetingen<br>Μετρήσεις<br>Mitat<br>Dimensioner<br>Dimensjoner |
|--|---|---|--|---|---|
| [1]  | 9234 0015 19  | 1   | Tank Cap Assy  |   |   |
| 2  |   |   |  |   |   |
| 3  |   |   |  |   |   |
| 4  |   |   |  |   |   |
| 5  | 9234 0005 84  | 1   | Washer   |   |   |
| [6]  | 9234 0007 09  | 1   | Stabilization Arm Assy   | 6-9   |   |
| 6  | 9234 0007 09  | 1   | Stabilization Arm  |   |   |
| 7  | 9234 0007 09  | 2   | Toggle Joint   |   |   |
| 8  | 9232 0207 50  | 2   | Nut  |   | M6, DIN 6927  |
| 9  | 0301 2321 00  | 3   | Washer   |   | 6.4x12 T=1.5  |
| [10]   | 9234 0005 68  | 1   | Handle Assy, right   | 5, 10   |   |
| 10   | -   | 1   | Handle, right  | *)  |   |
| [11]   | 9234 0002 78  | 1   | Handle Strap Assy  | 11-14   |   |
| 11   | -   | 1   | Strap  | *)  |   |
| 12   | -   | 1   | Nut  | *)  |   |
| * 13   | -   | 1   | Stud   | *)  |   |
| 14   | 9234 0005 10  | 1   | Nut  |   | M6MF M6   |
| 15   | 9234 0002 18  | 2   | Handle Locking nut   |   |   |
| 16   | 9234 0004 69  | 1   | Plastic tie band   |   |   |
| 17   | 9234 0001 11  | 1   | Stop Switch  |   |   |
| [18]   | 9234 0005 32  | 1   | Protection Pipe Assy   | [18a] [22] 25, 25a  |   |
| [18a]  | 9234 0002 55  | 1   | Protection Pipe Assy   | 19-21   |   |
| 19   | -   | 1   | Protection Pipe  | *)  |   |
| 20   | -   | 1   | Cable, induction coil  | *)  | L=690   |
| 21   | -   | 1   | Cable, earth connection  | *)  | L=395   |
| [22]   | 9234 0002 12  | 1   | Throttle Cable Assy  | 22-24   |   |
| 22   | -   | 1   | Wire   | *)  |   |
| 23   | -   | 1   | Outer Cable  | *)  |   |
| 24   | -   | 1   | Adjustment Screw with Nut  | *)  |   |
| 25   | 9234 0005 23  | 1   | Nipple   |   | Plastic (for Al-handle)   |
| 25a  | 9234 0004 90  | 1   | Nipple   |   | Plastic (for new handle)  |
| 26   | 9234 0005 65  | 1   | Cylindrical Pin  |   | CP 5X32   |
| [27]   | 9234 0006 47  | 1   | Handle frame/Fuel Tank Assy  | [1] 27 [28] 34  |   |
| 27   | -   | 1   | Handle frame   | *)  |   |
| [28]   | 9234 0004 84  | 1   | Tank Grommet Assy  | 28-31   |   |
| 28   | -   | 1   | Tank Grommet   | *)  |   |
| 29   | 9234 0004 85  | 1   | Pipe, fuel filter  |   | L=625   |
| 30   | 9232 2306 00  | 1   | Filter   |   |   |
| 31   | 9234 0002 97  | 1   | Pipe, tank connection  |   | L=340   |

# D



CT 12/88

| Fig. No.    | Ordering No       | Quantity   | Description  | Contents    | Dimensions  |
|-------------|-------------------|------------|--------------|-------------|-------------|
| No. de fig. | Référence         | Quantité   | Déscription  | Sommaire    | Dimensions  |
| Abb. Nr.    | Bestellnummer     | Anzahl     | Beschreibung | Inhalt      | Abmessungen |
| Núm de fig. | Núm. pedido       | Cantidad   | Descripción  | Índice      | Dimensiones |
| Fig. No     | Encomenda No      | Quantidade | Descrição    | Conteúdo    | Dimensões   |
| No rif.     | No Cat.           | Quantità   | Descriction  | Contenuto   | Dimensioni  |
| Fig. Nr     | Bestel nr.        | Aantal     | Omschrijving | Inhoud      | Afmetingen  |
| Αριθ Σχ.    | Αριθ. Παραγγελίας | Ποσότητα   | Περιγραφή    | Περιεχόμενα | Διαστάσεις  |
| Kuva nr.    | Tilaus nro.       | Lukumäärä  | Nimitys      | Sisältö     | Mitat       |
| Fig. nr.    | Bestillingsnummer | Antal      | Beskrivelse  | Indhold     | Dimensioner |
| Fig. nr.    | Bestillingsnummer | Antall     | Beskrivelse  | Innhold     | Dimensjoner |

|      |              |   |                   |                                    |  |
|------|--------------|---|-------------------|------------------------------------|--|
| [32] | 9234 0005 69 | 1 | Handle Assy, left | 5, 17, [18a] [ 22] 25a, 26, 32, 33 |  |
| 32   | 9234 0004 87 | 1 | Handle Assy       |                                    |  |
| 33   | 9234 0005 25 | 1 | Throttle control  |                                    |  |
| 34   | 9234 0006 05 | 1 | H.A.P.S, Decal    |                                    |  |

**E**

| Fig. No.<br>No. de fig.<br>Abb. Nr.<br>Núm de fig.<br>Fig. No<br>No rif.<br>Fig. Nr<br>Αριθ Σχ.<br>Kuva nr.<br>Fig. nr.<br>Fig. nr. | Ordering No<br>Référéncie<br>Bestellnummer<br>Núm. pedido<br>Encomenda No<br>No Cat.<br>Bestel nr.<br>Αριθ. Παραγγελίας<br>Tilaus nro.<br>Bestillingsnummer<br>Bestillingsnummer | Quantity<br>Quantité<br>Anzahl<br>Cantidad<br>Quantidade<br>Quantitá<br>Aantal<br>Ποσότητα<br>Lukumäärä<br>Antal<br>Antall | Description<br>Description<br>Beschreibung<br>Descripción<br>Descrição<br>Description<br>Omschrijving<br>Περιγραφή<br>Nimitys<br>Beskrivelse<br>Beskrivelse | Contents<br>Sommaire<br>Inhalt<br>Indice<br>Conteúdo<br>Contenuto<br>Inhoud<br>Περιεχόμενα<br>Sisältö<br>Indhold<br>Innhold | Dimensions<br>Dimensions<br>Abmessungen<br>Dimensiones<br>Dimensões<br>Dimensioni<br>Afmetingen<br>Διαστάσεις<br>Mitat<br>Dimensioner<br>Dimensioner |
|---|--|--|---|---|--|
|---|--|--|---|---|--|

**Service kits**

|     |              |   |                              |
|-----|--------------|---|------------------------------|
| -   | 9234 0006 87 | - | <b>One month service kit</b> |
| B9  | 9234 0004 48 | 1 | - Spark plug                 |
| A21 | 9234 0001 36 | 1 | - Air filter                 |

|       |              |   |                                 |
|-------|--------------|---|---------------------------------|
| -     | 9234 0006 88 | - | <b>Three months service kit</b> |
| -     | 9234 0006 87 | 1 | - One month service kit         |
| [C14] | 9234 0005 54 | 1 | - Scraper ring assembly         |
| C26   | 9234 0001 28 | 1 | - Gasket                        |

|       |              |   |                               |
|-------|--------------|---|-------------------------------|
| -     | 9234 0006 89 | - | <b>Six months service kit</b> |
| -     | 9234 0006 88 | 1 | - Three months service kit    |
| C20   | 9234 0002 28 | 2 | - O-ring                      |
| C21   | 9234 0002 29 | 1 | - O-ring                      |
| C22   | 9234 0002 30 | 1 | - O-ring                      |
| D30   | 9232 2306 00 | 1 | - Filter                      |
| A59   | 9232 2306 00 | 1 | - Filter                      |
| [C24] | 9234 0002 71 | 2 | - Piston ring assembly        |
| C31   | 9234 0001 27 | 1 | - Gasket                      |
| A25   | 9234 0001 37 | 1 | - Gasket                      |
| A58   | 9234 0003 35 | 2 | - Plastic bushing             |
| B60   | 9234 0005 75 | 3 | - Plastic bushing             |
| A45   | 9234 0004 13 | 1 | - Gasket                      |
| A47   | 9234 0002 67 | 1 | - Gasket                      |

|       |              |   |                                  |
|-------|--------------|---|----------------------------------|
| -     | 9234 0006 90 | - | <b>Twelve months service kit</b> |
| -     | 9234 0006 89 | 1 | - Six months service kit         |
| [B11] | 9234 0003 18 | 1 | - Bearing and seal kit           |
| B3    | 9234 0000 07 | 2 | - Piston ring                    |
| B6    | 9234 0001 26 | 1 | - Gasket                         |

| Fig. No.    | Ordering No       | Quantity   | Description  | Contents    | Dimensions  |
|-------------|-------------------|------------|--------------|-------------|-------------|
| No. de fig. | Référence         | Quantité   | Description  | Sommaire    | Dimensions  |
| Abb. Nr.    | Bestellnummer     | Anzahl     | Beschreibung | Inhalt      | Abmessungen |
| Núm de fig. | Núm. pedido       | Cantidad   | Descripción  | Índice      | Dimensiones |
| Fig. No     | Encomenda No      | Quantidade | Descrição    | Conteúdo    | Dimensões   |
| No rif.     | No Cat.           | Quantità   | Descripción  | Contenuto   | Dimensioni  |
| Fig. Nr     | Bestel nr.        | Aantal     | Orschrivning | Inhoud      | Afmetingen  |
| Αριθ Σχ.    | Αριθ. Παραγγελίας | Ποσότητα   | Περιγραφή    | Περιεχόμενα | Διαστάσεις  |
| Kuva nr.    | Tilaus nro.       | Lukumäärä  | Nimitys      | Sisältö     | Mitat       |
| Fig. nr.    | Bestillingsnummer | Antal      | Beskrivelse  | Indhold     | Dimensioner |
| Fig. nr.    | Bestillingsnummer | Antall     | Beskrivelse  | Innhold     | Dimensjoner |

### Seal kit

|       |              |   |  |
|-------|--------------|---|--|
| -     | 9234 0006 91 | - | <b>Complete seal kit. (Includes all seals for an overhaul)</b> |
| A25   | 9234 0001 37 | 1 | - Gasket   |
| A45   | 9234 0004 13 | 1 | - Gasket   |
| A47   | 9234 0002 67 | 1 | - Gasket   |
| B6    | 9234 0001 26 | 1 | - Gasket   |
| B12   | 9234 0006 06 | 2 | - Seal   |
| B16   | 9234 0000 74 | 1 | - Seal   |
| B20   | 9234 0004 14 | 1 | - Gasket, crankcase  |
| B21   | 9234 0004 15 | 1 | - Gasket, transmission   |
| C11   | 9234 0005 17 | 1 | - Seal (1-1/4")  |
| C11a  | 9234 0005 24 | 1 | - Seal (1-1/8")  |
| [C14] | 9234 0005 54 | 1 | - Scraper ring assembly  |
| C14   | *)           | 1 | -- Speed seal  |
| C15   | *)           | 1 | -- O-ring  |
| C16   | *)           | 1 | -- Lock ring   |
| C17   | *)           | 1 | -- Scraper ring  |
| C18   | 9234 0005 36 | 1 | -- Support ring  |
| C20   | 9234 0002 28 | 2 | - O-ring   |
| C21   | 9234 0002 29 | 1 | - O-ring   |
| C22   | 9234 0002 30 | 1 | - O-ring   |
| [C24] | 9234 0002 71 | 1 | - Piston ring assembly   |
| C24   | *)           | 2 | -- Piston ring   |
| C25   | *)           | 2 | -- O-ring  |
| C26   | 9234 0001 28 | 1 | - Gasket   |
| C30   | 9232 0310 90 | 1 | - O-ring   |
| C31   | 9234 0001 27 | 1 | - Gasket   |



| <b>Table of signs</b>   |                             | <b>Clefs</b>              |  | <b>Zeichenerklärungen</b> |  | <b>Leyendas</b>           |  |
|-------------------------|-----------------------------|---------------------------|--|---------------------------|--|---------------------------|--|
| [ ]                     | Complete                    | Compl.                    |  | Kompl.                    |  | Compl.                    |  |
| *)                      | No spare part               | Pas pièce de rechange     |  | Kein Ersatzteil           |  | No es pieza de recambio   |  |
| <b>Tabela de avisos</b> |                             | <b>Legenda</b>            |  | <b>Verklaring</b>         |  | <b>Πίνακας πινακίδων</b>  |  |
| [ ]                     | Completo                    | Completo                  |  | Kompleet                  |  | Πλήρης                    |  |
| *)                      | Não há peças sobressalentes | Non ricambio              |  | Geen wissel st.           |  | Οχι ανταλλακτικά          |  |
| <b>Kilpitaulukko</b>    |                             | <b>Signaturforklaring</b> |  | <b>Tegnforklaring</b>     |  | <b>Teckenförklaringar</b> |  |
| [ ]                     | Täydellinen                 | Komplet                   |  | Komplett                  |  | Komplett                  |  |
| *)                      | Ei varaosa                  | Ikke reservdel            |  | Ingen reservdeler         |  | Ej reservdel              |  |

| Part Number  | Fig.    | Part Number  | Fig.    | Part Number  | Fig.    | Part Number  | Fig.  |
|--------------|---------|--------------|---------|--------------|---------|--------------|-------|
| 0147 1335 03 | B48     | 9234 0001 11 | D17     | 9234 0003 27 | B38     | 9234 0005 55 | [C1]  |
| 0147 1345 03 | B49     | 9234 0001 14 | [A26]   | 9234 0003 32 | A54     | 9234 0005 65 | D26   |
| 0147 1347 03 | B47     | 9234 0001 15 | [A27]   | 9234 0003 35 | A58     | 9234 0005 68 | [D10] |
| 0300 0274 74 | B57     | 9234 0001 20 | [A41]   | 9234 0003 36 | A56     | 9234 0005 69 | [D32] |
| 0301 2318 00 | B40     | 9234 0010 08 | [A12]   | 9234 0003 40 | B7      | 9234 0005 75 | B60   |
| 0301 2321 00 | A62,D9  | 9234 0001 24 | [A16]   | 9234 0003 43 | A14     | 9234 0005 80 | C27   |
| 0384 3310 00 | A65     | 9234 0001 25 | [A9]    | 9234 0003 44 | A15     | 9234 0005 81 | [A52] |
| 4090 0369 00 | C37     | 9234 0001 26 | B6      | 9234 0003 45 | A7      | 9234 0005 84 | D5    |
| 9232 0115 30 | A34,A36 | 9234 0001 27 | C31     | 9234 0003 54 | A5      | 9234 0005 87 | A61   |
| 9232 0118 80 | B8      | 9234 0001 28 | C26     | 9234 0003 55 | A11     | 9234 0006 01 | [B46] |
| 9232 0120 00 | B45     | 9234 0001 36 | A21     | 9234 0003 96 | B15,C36 | 9234 0006 05 | D34   |
| 9232 0122 00 | A42     | 9234 0001 37 | A25     | 9234 0003 98 | A10     | 9234 0006 06 | B12   |
| 9232 0123 51 | [C29]   | 9234 0007 09 | [D6]    | 9234 0004 02 | A46     | 9234 0006 37 | [C5]  |
| 9232 0124 00 | A44     | 9234 0001 43 | [A57]   | 9234 0006 74 | A48     | 9234 0015 19 | [D1]  |
| 9232 0207 50 | A2,A40  | 9234 0001 54 | B53     | 9234 0004 06 | C42     | 9234 0006 86 | A26   |
| 9232 0207 50 | B29,B58 | 9234 0001 55 | B54     | 9234 0004 08 | [C28]   | 9234 0006 87 | E     |
| 9232 0207 50 | D8      | 9234 0001 57 | B35     | 9234 0004 10 | A49     | 9234 0006 88 | E     |
| 9232 0208 80 | A19     | 9234 0001 58 | B32     | 9234 0004 12 | C38     | 9234 0006 89 | E     |
| 9232 0209 00 | A67,B56 | 9234 0001 74 | [B39]   | 9234 0004 13 | A45     | 9234 0006 90 | E     |
| 9232 0310 90 | C30     | 9234 0001 79 | C13     | 9234 0004 14 | B20     | 9234 0006 91 | F     |
| 9232 0505 60 | C34     | 9234 0001 80 | B41     | 9234 0004 15 | B21     | 9234 0009 12 | B     |
| 9232 0905 20 | B59     | 9234 0001 86 | B22     | 9234 0004 23 | B26,B61 | 9234 0006 47 | [D27] |
| 9232 2228 40 | B17     | 9234 0007 09 | D6      | 9234 0004 23 | C40     | 9238 2738 70 | C41a  |
| 9232 2237 91 | [A3]    | 9234 0007 09 | D7      | 9234 0004 48 | B9      | 9238 2738 80 | C41   |
| 9232 2306 00 | A59,D30 | 9234 0002 00 | B55     | 9234 0004 69 | D16     | 9238 2743 00 | C41b  |
| 9234 0000 07 | B3      | 9234 0002 01 | [A35]   | 9234 0004 73 | A15a    | 9238 2743 10 | C41c  |
| 9234 0000 08 | B4      | 9234 0002 05 | B44     | 9234 0004 74 | A15b    |              |       |
| 9234 0000 09 | B5      | 9234 0002 12 | [D22]   | 9234 0004 75 | A15c    |              |       |
| 9234 0000 19 | A6      | 9234 0002 18 | D15     | 9234 0004 76 | [A12a]  |              |       |
| 9234 0000 20 | A1      | 9234 0002 28 | C20     | 9234 0010 08 | [A12c]  |              |       |
| 9234 0000 26 | A23     | 9234 0002 29 | C21     | 9234 0004 80 | [A12b]  |              |       |
| 9234 0000 27 | A24     | 9234 0002 30 | C22     | 9234 0004 84 | [D28]   |              |       |
| 9234 0000 32 | B52     | 9234 0002 43 | A51     | 9234 0004 85 | D29     |              |       |
| 9234 0000 38 | B10     | 9234 0002 45 | C33     | 9234 0004 86 | A43     |              |       |
| 9234 0000 40 | A29     | 9234 0002 49 | [C35]   | 9234 0004 87 | D32     |              |       |
| 9234 0000 41 | A30     | 9234 0002 55 | [D18a]  | 9234 0004 90 | D25a    |              |       |
| 9234 0000 45 | A33     | 9234 0002 65 | [A22]   | 9234 0004 91 | A28     |              |       |
| 9234 0000 54 | A31     | 9234 0002 67 | A47     | 9234 0005 10 | D14     |              |       |
| 9234 0000 56 | A8      | 9234 0002 71 | [C24]   | 9234 0005 17 | C11     |              |       |
| 9234 0000 59 | A32     | 9234 0002 73 | A39     | 9234 0005 23 | D25     |              |       |
| 9234 0000 63 | A20     | 9234 0002 78 | [D11]   | 9234 0005 24 | C11a    |              |       |
| 9234 0000 67 | B37     | 9234 0002 79 | B23     | 9234 0005 25 | D33     |              |       |
| 9234 0000 68 | B33     | 9234 0002 81 | [B43]   | 9234 0005 27 | B27     |              |       |
| 9234 0000 69 | B36     | 9234 0002 82 | [B30]   | 9234 0005 32 | [D18]   |              |       |
| 9234 0000 71 | B34     | 9234 0002 84 | C39     | 9234 0005 33 | A50     |              |       |
| 9234 0000 72 | B18     | 9234 0002 97 | A17,D31 | 9234 0010 29 | A38     |              |       |
| 9234 0000 74 | B16     | 9234 0002 98 | A18     | 9234 0005 35 | C12     |              |       |
| 9234 0000 75 | B19     | 9234 0002 99 | A55     | 9234 0005 36 | C18     |              |       |
| 9234 0000 76 | B24     | 9234 0003 00 | [C23]   | 9234 0005 44 | [C10]   |              |       |
| 9234 0000 81 | [A37]   | 9234 0003 01 | [C32]   | 9234 0005 47 | [C19]   |              |       |
| 9234 0000 81 | A64     | 9234 0003 04 | [B51]   | 9234 0005 48 | [C10a]  |              |       |
| 9234 0000 85 | A66     | 9234 0003 18 | [B11]   | 9234 0005 49 | [C10b]  |              |       |
| 9234 0006 82 | B50     | 9234 0003 20 | [B25]   | 9234 0005 54 | [C14]   |              |       |
| 9234 0001 06 | B1      | 9234 0003 24 | B42     | 9234 0005 50 | [C10c]  |              |       |

*Use only authorized parts. Any damage or malfunction caused by the use of unauthorized parts is not covered by Warranty or Product Liability.*

*N'utiliser que des pièces approuvées. Tout endommagement ou fonctionnement défectueux résultant de l'utilisation de pièces non approuvées n'est pas couvert par Garantie et responsabilité du produit.*

*Nur zugelassene Teile verwenden. Schäden oder Funktionsstörungen, die auf die Verwendung nicht zugelassener Teile zurückzuführen sind, fallen nicht unter die Garantie- oder Produkthaftungsbestimmungen.*

*Sólo se pueden usar piezas autorizadas. Cualquier daño o funcionamiento defectuoso causado por el uso de piezas no autorizadas no se cubre por la Garantía o la Responsabilidad del Producto.*

*Use apenas peças autorizadas. Qualquer avaria ou mau funcionamento motivado pelo uso de peças não é coberto por garantia ou responsabilidade de riscos causados pelo produto.*

*Usare solamente parti autorizzate. I danni o disturbi del funzionamento causati dall'uso di parti non autorizzate, non sono coperti dalla Garanzia né dall'Assicurazione del prodotto.*

*Gebruik uitsluitend geautoriseerde onderdelen. Schade of gebreken veroorzaakt door het gebruik van niet-geautoriseerde onderdelen vallen niet onder de garantie of de produkt-aansprakelijkheid.*

*Χρησιμοποιείτε μόνο εγκεκριμένα εξαρτήματα. Τυχόν καταστροφή ή βλάβη η οποία προκαλείται από τη χρήση μη εγκεκριμένων εξαρτημάτων δεν καλύπτεται από την Εγγύηση ή την Ευθύνη Προϊόντος.*

*Käytä vain hyväksytyjä varaosia. Takuu ja tuotevastuu eivät korvaa hyväksymättömien varaosien käytöstä aiheutuvia vaurioita tai toimintahäiriöitä.*

*Brug kun autoriserede dele. Enhver skade eller fejlfunktion, der skyldes brugen af ikke-autoriserede dele, er ikke dækket af garantien eller produktansvarforsikringen.*

*Bruk bare godkjente deler. Enhver skade eller funksjonsfeil som skyldes bruk av ikke godkjente deler dekkes ikke av garanti eller produktansvar.*

*Använd endast godkända reservdelar. Skada eller funktionsfel som beror på användning av ej godkända reservdelar täcks inte av garantiåtaganden eller produktansvar.*

*Any unauthorized use or copying of the contents or any part thereof is prohibited. This applies in particular to trademarks, model designations, part numbers and drawings.*

*Toute utilisation ou reproduction non autorisée du contenu, ou d'une partie du contenu, est illicite. Cela s'applique particulièrement aux marques déposées, aux désignations de modèles, aux numéros de pièces et aux plans.*

*Unbefugter Gebrauch oder das Kopieren des Inhalts, auch auszugsweise, ist verboten. Dies gilt besonders für Warenzeichen, Modellbezeichnungen, Teilnummern und Zeichnungen.*

*Está prohibido cualquier uso o copia no autorizada del contenido o de cualquier parte de éste. Esto se aplica en especial a marcas registradas, denominaciones de modelos, números de piezas y dibujos.*

*Qualquer utilização não autorizada ou cópia de qualquer peça é expressamente proibida. Isto aplica-se em particular às marcas registradas, denominação dos modelos, referência de peças e desenhos.*

*E' vietata qualsiasi forma d'uso o copiatura non autorizzata del contenuto, anche parziale, con particolare riguardo ai marchi di fabbrica, alle denominazioni dei modelli, ai numeri delle parti ed ai disegni.*

*Niet-geautoriseerd gebruik of kopiëren van de inhoud of een deel daarvan is niet toegestaan. Dat geldt in het bijzonder voor handelsmerken, model-benamingen, onderdeel nummers en tekeningen.*

*Τυχόν μη εξουσιοδοτημένη χρήση ή αντιγραφή των περιχομένων οποιουδήποτε μέρους του παρόντος απαγορεύεται. Αυτό ισχύει ιδιαίτερα στα σημεία κατατεθέντα, τις ονομασίες μοντέλων, τους αριθμούς ανταλλακτικών και τα σχεδιαγράμματα.*

*Sisällön tai sen osan luvaton käyttö tai kopiointi on kielletty. Tämä koskee erityisesti tavaramerkkejä, mallien nimiä, osanumeroita ja piirustuksia.*

*Enhver ikke-autoriseret brug eller kopiering af indholdet eller nogen del deraf er forbudt. Dette gælder især varemærker, modelbetegnelser, reservedelsnumre og tegninger.*

*Enhver ikke godkjent bruk eller kopiering av innholdet eller noen del av det er forbudt. Dette gjelder i særlig grad varemærker, modellbetegnelser, delnummer og tegninger.*

*Ej i förväg godkänd användning eller kopiering av innehållet eller del av detta är förbjuden. Detta gäller speciellt varumärken, modellbetäckningar, reservedelsnummer och ritningar.*