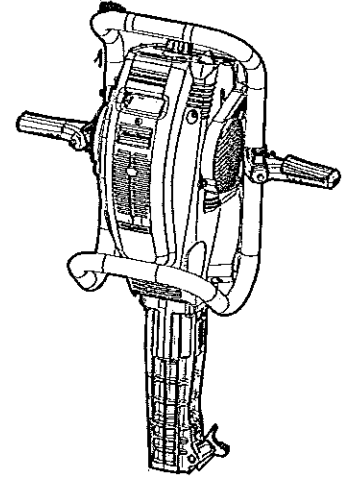
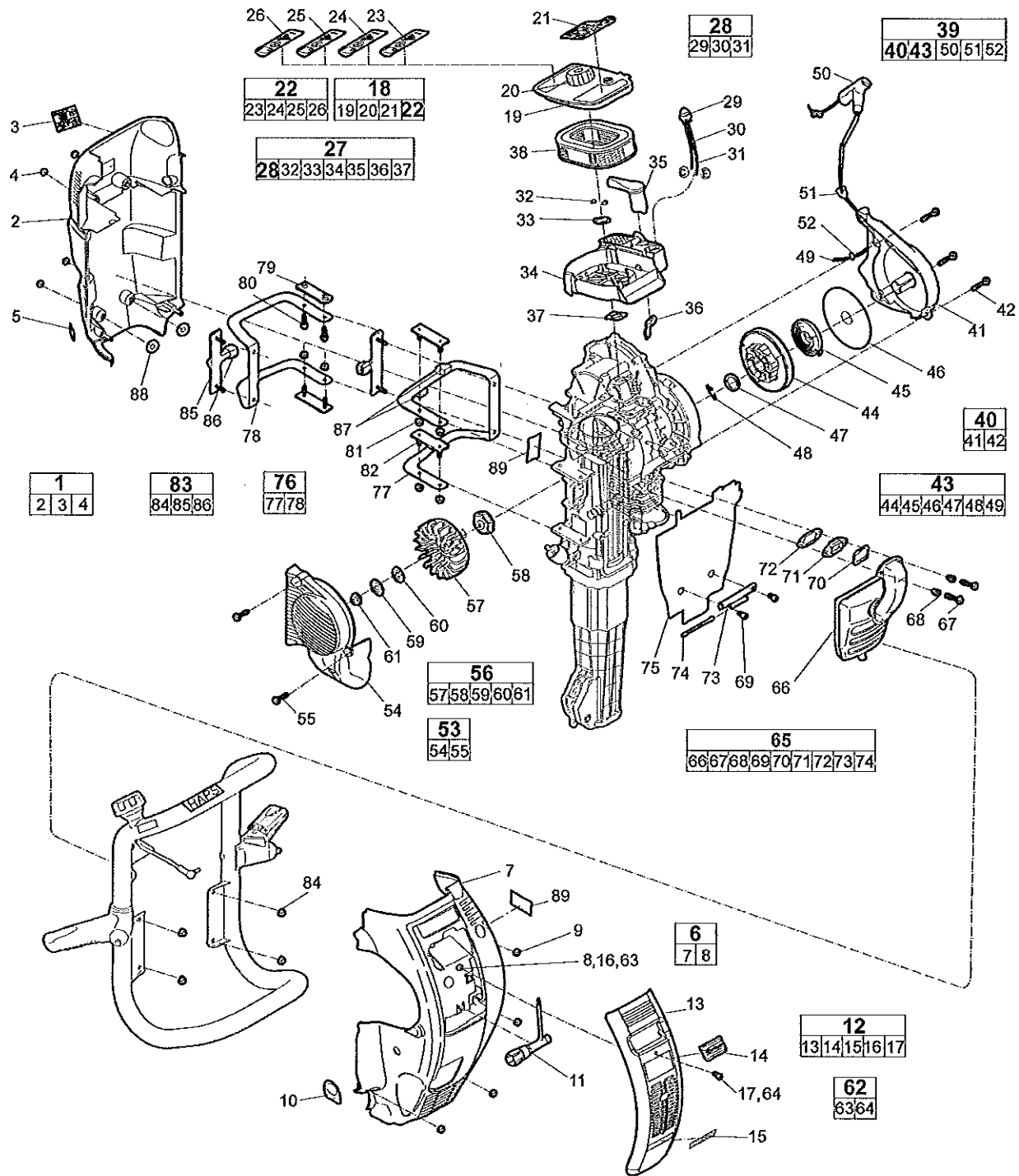


Spare parts list Petrol breakers



Spare parts list

Body, 28 x 160, 32 x 160, 28 x 152, 32 x 152 mm



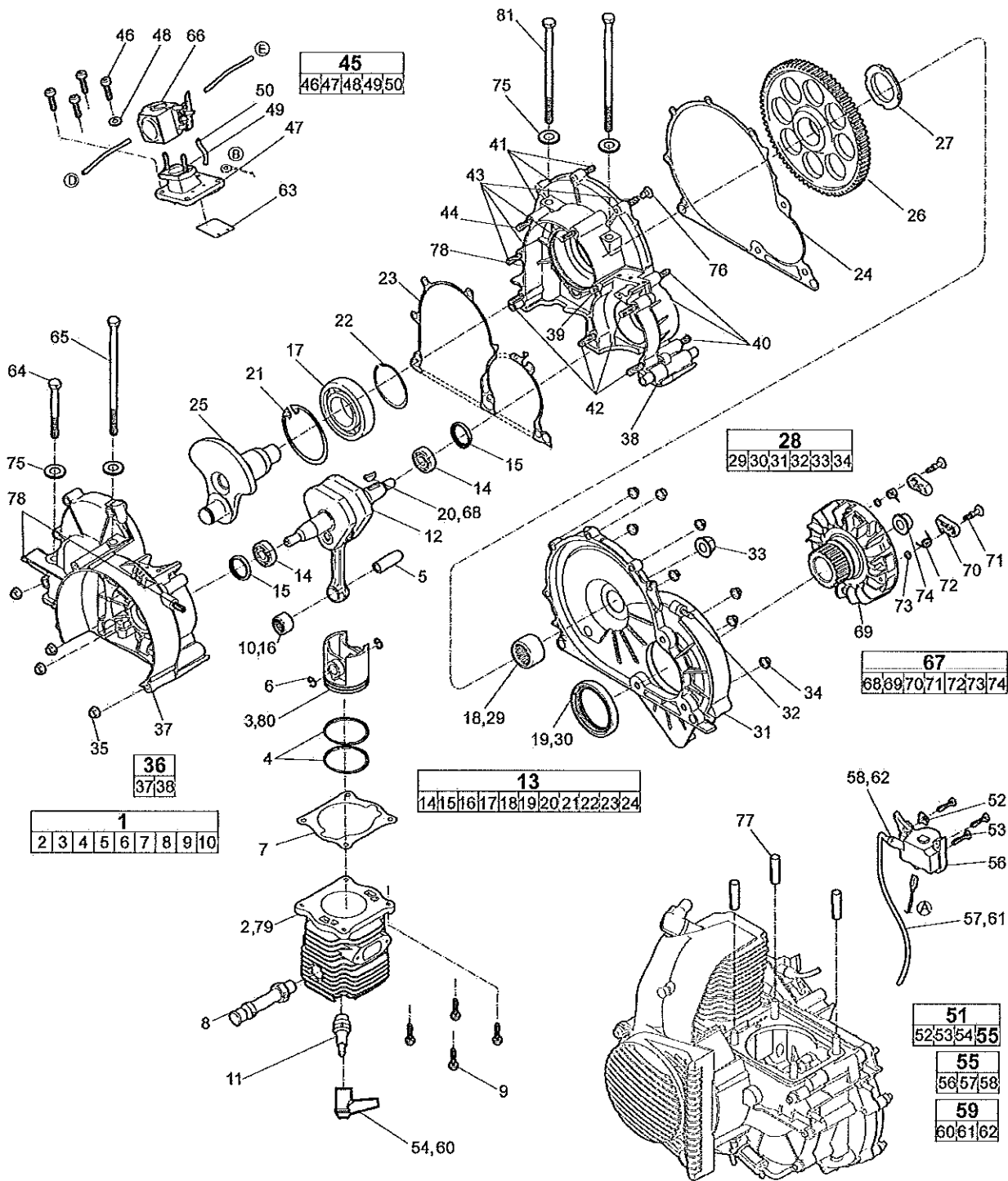
CROWDER SUPPLY CO INC * 8495 Roslyn St., Commerce City, CO 80022 * 303.433.5144 FAX: 303.433.3928 TOLL FREE: 888.883.5144 * WWW.CROWDERSUPPLY.COM

No.	Description	Remark	Quantity	Part number
1(2-4)	Back cover, complete		1	9234 0000 20
2	Back cover		1	-
3	Warning label		1	9234 0009 23
4	Nut	M6	4	9232 0207 50
5	Oil level label		1	9234 0003 54
6(7-8)	Front cover, complete		1	9234 0000 19
7	Front cover		1	-
8	Rubber insert		1	-
9	Nut	M6	4	9232 0207 50
10	Label	"De-compression valve"	1	9234 0003 45
11	Spark plug key		1	9234 0000 56
12(13-17)	Service cover, complete		1	9234 0015 46
13	Service cover		1	-
14	Label	"Atlas Copco"	1	9234 0009 95
15	Label	"Cobra Pro"	1	9234 0015 44
16	Rubber insert		1	-
17	Screw	M5 x 25 mm	1	9234 0005 33
18(19 -21 ,22)	Filter cover, complete		1	9234 0010 08
19	Filter cover		1	-
20	Filter cover knob		1	-
21	Label	"Start instruction"	1	9234 0003 43
22(23-26)	Label, complete		1	9234 0010 09
23	Label	"sound/shank/warnings triangle"	1	-
24	Label	"sound/shank/warnings triangle"	1	-
25	Label	"sound/shank/warnings triangle"	1	-
26	Label	"sound/shank/warnings triangle"	1	-
27(28,32-37)	Filter housing, complete		1	9234 0002 65
28(29-31)	Prime pump, complete		1	9234 0001 24
29	Prime pump		1	-
30	Pipe	Tank connection (E), see section "Motor" for placement. L = 340 mm L = 13.4 in.	1	9234 0002 97
31	Pipe	Carburettor connection (C), see section "Motor" for placement. L = 169 mm L = 6.7 in.	1	9234 0002 98
32	Nut	M5	2	9232 0208 80
33	Plate		1	9234 0000 63
34	Filter housing		1	-
35	Choke handle		1	9234 0000 26
36	Choke arm		1	9234 0010 30
37	Gasket		1	9234 0001 37
38	Air filter		1	9234 0001 36
39(40,43,50-52)	Starter, complete		1	9234 0001 14
40(41-42)	Starter cover, complete		1	9234 0006 86
41	Starter cover		1	-
42	Screw	M6SF 6 x 20 mm	3	9232 0115 30
43(44-49)	Pulley wheel, complete		1	9234 0001 15
44	Pulley wheel		1	-
45	Starter spring		1	9234 0004 91
46	Fiber washer	Inner	1	9234 0000 40
47	Washer		1	9234 0000 41
48	Locking spring		1	9234 0000 54

CROWDER SUPPLY CO INC * 8495 Roslyn St., Commerce City, CO 80022 * 303.433.5144 FAX: 303.433.3928 TOLL FREE: 888.883.5144 * WWW.CROWDERSUPPLY.COM

No.	Description	Remark	Quantity	Part number
49	Rope		1	9234 0000 59
50	Handle		1	9234 0000 45
51	Rope guide		1	9232 0905 30
52	Lock ring		1	9232 0503 50
53(54-55)	Fan cover, complete		1	9234 0002 01
54	Fan cover		1	-
55	Screw	M6SF 6 x 20 mm	2	9232 0115 30
56(57-61)	Fan, complete		1	9234 0000 81
57	Fan		1	-
58	Hub		1	9234 0000 84
59	Cup spring		1	0384 3310 00
60	Washer		1	9234 0000 85
61	Nut		1	9232 0209 00
62(63-64)	Rubber insert, complete		1	9234 0010 29
63	Rubber insert		1	-
64	Screw	M5 x 25 mm	1	9234 0005 33
65(66-74)	Silencer, complete	From Ser. No. KAL 25000	1	9234 0015 45
66	Silencer		1	-
67	Screw	M6SF 6 x 45 mm	2	9232 0122 00
68	Spring		2	9234 0004 86
69	Screw	M6S 6 x 128.8 mm	2	9232 0124 00
70	Gasket		1	9234 0004 13
71	Silencer insert		1	9234 0004 02
72	Gasket		1	9234 0002 67
73	Hinge		1	9234 0006 74
74	Hinge pin	FRP Ø5 x 100 mm Ø0.20 x 3.94 in.	1	9234 0004 10
75	Heat shield		1	9234 0015 11
76(77-78)	Leaf spring, complete		1	9234 0005 81
77	Leaf spring	Right	1	
78	Leaf spring	Left	1	9234 0001 44
79	Pressure plate	Top left	1	9234 0003 32
80	Screw	M6SF 6 x 16 mm 8.8 FZB	2	9234 0002 99
81	Nut	M6	6	9232 0207 50
82	Pressure plate		3	9234 0003 36
83(84-86)	End stop bracket, complete		1	9234 0001 43
84	Nut	M6	4	9232 0207 50
85	End stop bracket		2	-
86	Plastic bushing		2	9234 0003 35
87	Dampening cushion		2	-
88	Washer		2	0301 2321 00
89	Label		2	-

Motor, 28 x 160, 32 x 160, 28 x 152, 32 x 152 mm

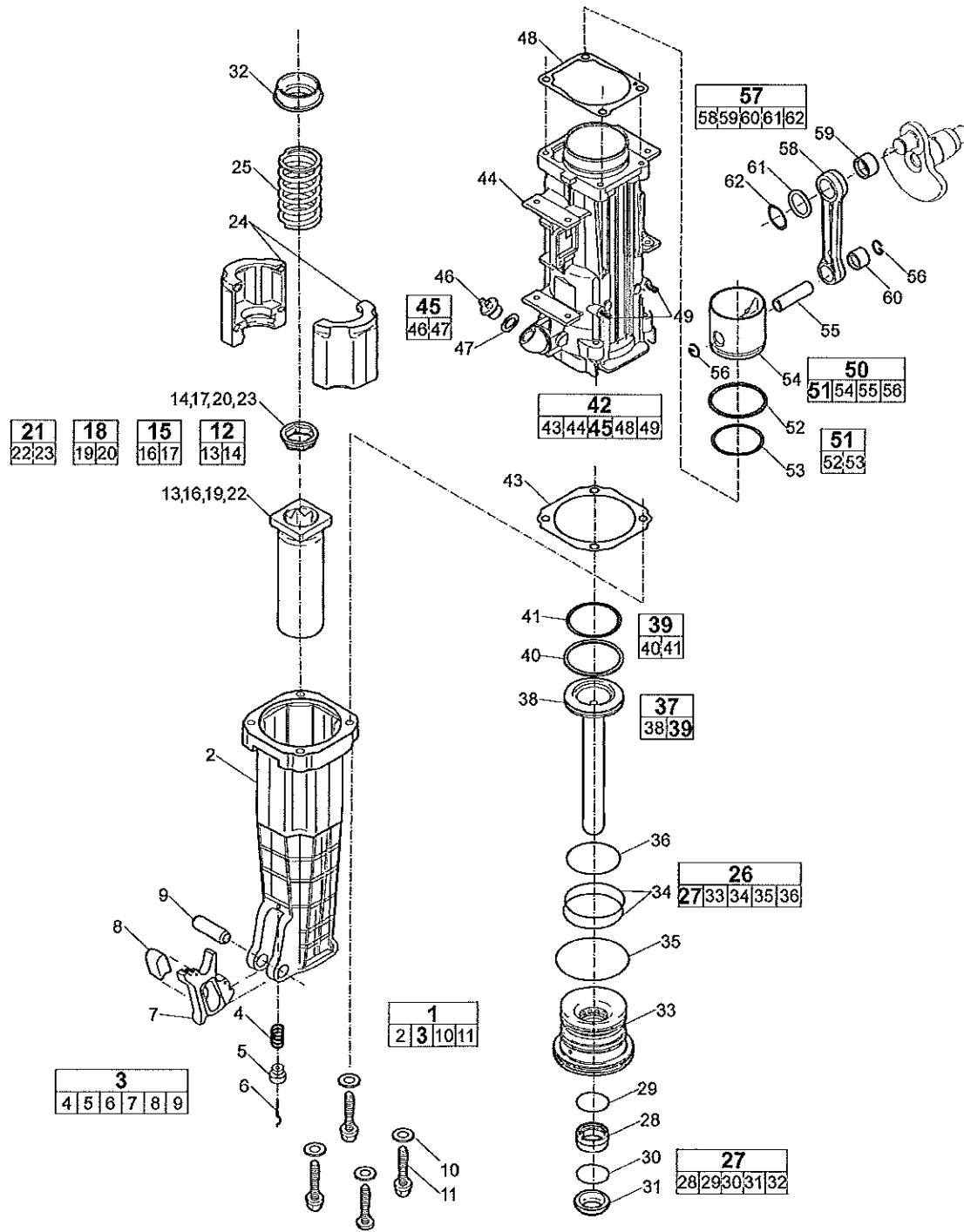


CROWDER SUPPLY CO INC * 8495 Roslyn St., Commerce City, CO 80022 * 303.433.5144 FAX: 303.433.3928 TOLL FREE: 888.883.5144 * WWW.CROWDERSUPPLY.COM

No.	Description	Remark	Quantity	Part number
1(2-10)	Motor cylinder, complete		1	9234 0001 06
2	Cylinder		1	-
3	Piston		1	-
4	Piston ring		2	9234 0000 07
5	Piston pin		1	9234 0000 08
6	Lock ring		2	9234 0000 09
7	Gasket		1	9234 0001 26
8	De-compression valve		1	9234 0003 40
9	Screw		4	9232 0118 80
10	Needle bearing		1	-
11	Spark plug	Champion RCJ8	1	9234 0004 48
12	Motor crankshaft		1	9234 0000 38
13(14-24)	Bearing and seal, complete		1	9234 0003 18
14	Ball bearing		2	-
15	Seal		2	9234 0006 06
16	Needle bearing		1	-
17	Ball bearing		1	-
18	Needle bearing		1	9234 0003 96
19	Seal		1	9234 0000 74
20	Woodruff key		1	9232 2228 40
21	Lock ring		1	9234 0000 72
22	Lock ring		1	9234 0000 75
23	Gasket	Crankcase	1	9234 0004 14
24	Gasket	Transmission cover	1	9234 0004 15
25	Transmission shaft		1	9234 0001 86
26	Transmission cog wheel		1	9234 0002 79
27	Nut	KML - 6 left	1	9234 0000 76
28(29-34)	Transmission cover, complete		1	9234 0003 20
29	Needle bearing		1	9234 0003 96
30	Seal		1	9234 0000 74
31	Transmission cover		1	-
32	Stud	M6 x 18 mm, L = 28 mm	1	9234 0004 23
33	Oil level plug	R $\frac{1}{4}$ in.	1	9234 0005 27
34	Nut	M6	8	9232 0207 50
35	Nut	M6	4	9232 0207 50
36(37-38)	Crankcase, complete		1	9234 0002 82
37	Crankcase	Fan side	1	-
38	Crankcase	Transmission side	1	-
39	Stud	M6 x 70 mm, L = 85 mm	1	9234 0001 58
40	Stud	M6 x 20 mm, L = 32 mm	3	9234 0000 71
41	Stud	M6 x 25 mm, L = 40 mm	3	9234 0001 57
42	Stud	M6 x 50 mm, L = 65 mm	4	9234 0000 69
43	Stud	M6 x 30 mm, L = 45 mm	4	9234 0000 67
44	Stud	M6 x 35 mm, L = 50 mm	1	9234 0000 68
45(46-50)	Crankcase valve, complete		1	9234 0015 48
46	Screw		4	9232 0118 80
47	Crankcase valve	Including reed (No. 63)	1	
48	Washer	BRB 5.3 x 10 x 1 mm	1	0301 2318 00
49	Stud		2	9234 0001 80
50	Pipe	L = 36 mm L = 1.4 in.	1	9234 0003 24

No.	Description	Remark	Quantity	Part number
51(52-54,55)	Electronic unit, complete		1	9234 0002 81
52	Protective washer		1	9234 0002 05
53	Screw		3	9232 0120 00
54	Spark plug cap		1	-
55(56-58)	Electronic unit, complete		1	-
56	Electronic unit		1	-
57	Ignition cable		1	-
58	Grommet		1	-
59(60-62)	Spark plug cable, complete		1	9234 0006 01
60	Spark plug cap		1	-
61	Ignition cable		1	-
62	Grommet		1	-
63	Reed		1	
64	Screw	M6S 8 x 75 mm 8.8 FZB	1	0147 1335 03
65	Screw	M6S 8 x 140 mm 8.8 FZB	1	0147 1345 03
66	Carburettor		1	-
67(68-74)	Flywheel, complete		1	9234 0003 04
68	Woodruff key		1	9232 2228 40
69	Flywheel		1	-
70	Carrier		2	9234 0000 32
71	Screw		2	9234 0001 54
72	Carrier spring		2	9234 0001 55
73	Support washer		2	9234 0002 00
74	Locking nut	M6MF M10 8.8	1	9232 0209 00
75	Washer	BRB 8.4 x 16 x 1.5 mm	4	0300 0274 74
76	Bushing		1	9232 0905 20
77	Plastic bushing		3	9234 0005 75
78	Stud	M6 x 18 mm, L = 28 mm	3	9234 0004 23
79	Cylinder		1	9234 0014 19
80	Piston		1	9234 0014 20
81	Screw	M6S 8 x 160 mm 8.8 FZB	2	0147 1347 03

Percussion unit, 28 x 152, 32 x 160 mm



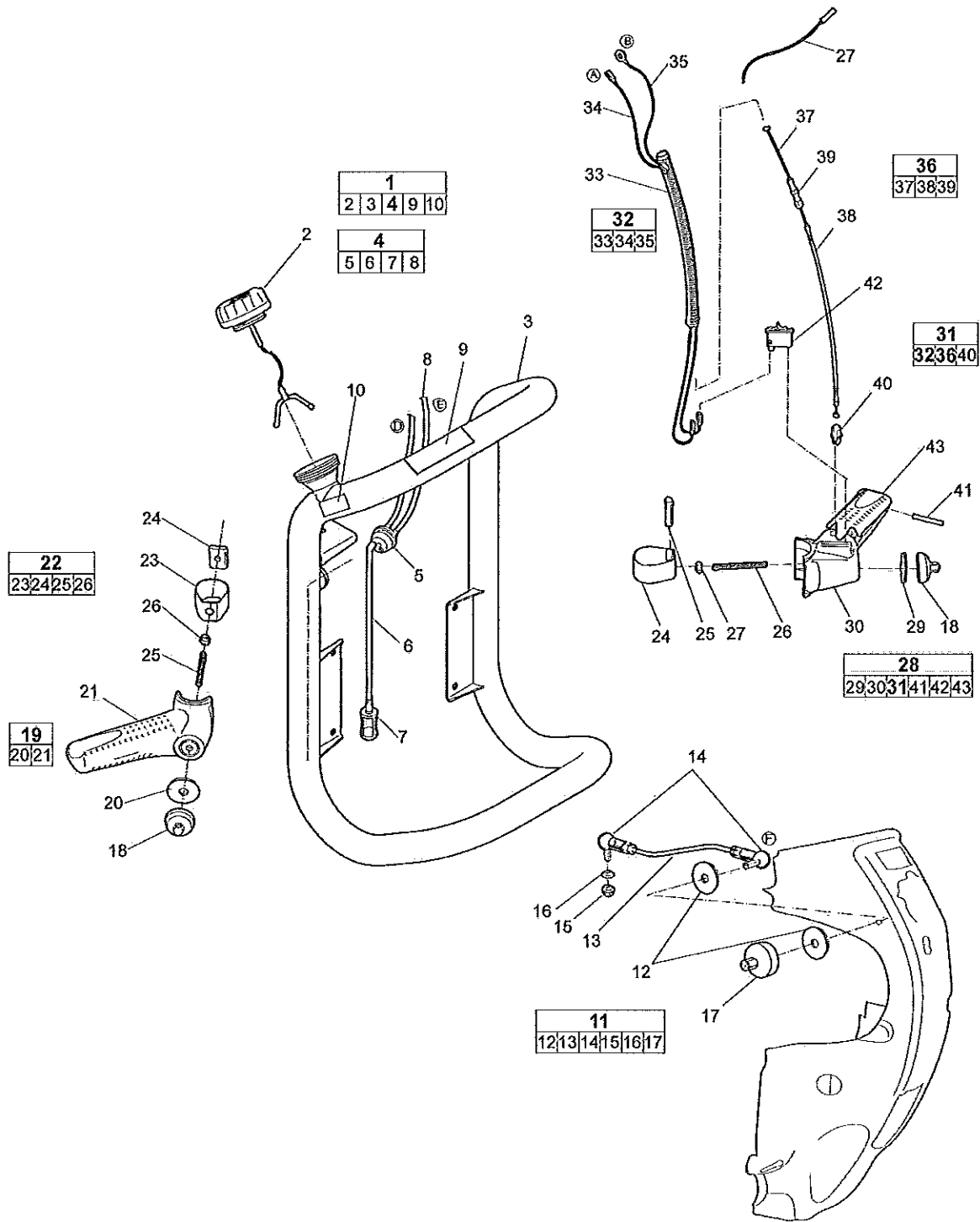
CROWDER SUPPLY CO INC * 8495 Roslyn St., Commerce City, CO 80022 * 303.433.5144 FAX: 303.433.3928 TOLL FREE: 888.883.5144 * WWW.CROWDERSUPPLY.COM

No.	Description	Remark	Quantity	Part number
1(2,3,10-11)	Breaker housing, complete		1	9234 0005 55
2	Breaker housing		1	-
3(4-9)	Tool latch, complete		1	9234 0006 37
4	Spring		1	-
5	Guide		1	-
6	Guide pin		1	-
7	Tool latch		1	-
8	Tool latch insert		1	-
9	Spring pin		1	-
10	Washer	From Ser. No. KAL 19000	4	0300 0274 74
11	Screw	From Ser. No. KAL 19000, 25 Nm	4	9234 0010 04
12(13-14)	Tool chuck, complete		1	9234 0005 50
13	Tool chuck	28 x 152 mm 1 1/8 x 6 in.	1	-
14	Seal	28 mm 1 1/8 in.	1	9234 0005 24
15(16-17)	Tool chuck, complete		1	9234 0005 49
16	Tool chuck	28 x 160 mm 1 1/8 x 6 1/4 in.	1	-
17	Seal	28 mm 1 1/8 in.	1	9234 0005 24
18(19-20)	Tool chuck, complete		1	9234 0005 48
19	Tool chuck	32 x 152 mm 1 1/4 x 6 in.	1	-
20	Seal	32 mm 1 1/4 in.	1	9234 0005 17
21(22-23)	Tool chuck, complete		1	9234 0005 44
22	Tool chuck	32 x 160 mm 1 1/4 x 6 1/4 in.	1	-
23	Seal	32 mm 1 1/4 in.	1	9234 0005 17
24	Feed stop		2	9234 0005 35
25	Recoil spring		1	9234 0001 79
26(27,33-36)	Piston guide, complete		1	9234 0005 47
27(28-32)	Scraper ring, complete		1	9234 0005 54
28	Speed seal		1	-
29	O-ring		1	-
30	Lock ring		1	-
31	Scraper ring		1	-
32	Support ring		1	9234 0005 36
33	Piston guide		1	-
34	O-ring		2	9234 0002 28
35	O-ring		1	9234 0002 29
36	O-ring		1	9234 0002 30
37(38,39)	Hammer piston, complete		1	9234 0003 00
38	Hammer piston		1	-
39(40-41)	Piston ring, complete		1	9234 0002 71
40	Piston ring		1	-
41	O-ring		1	-

CROWDER SUPPLY CO INC * 8495 Roslyn St., Commerce City, CO 80022 * 303.433.5144 FAX: 303.433.3928 TOLL FREE: 888.883.5144 * WWW.CROWDERSUPPLY.COM

No.	Description	Remark	Quantity	Part number
42(43-44,45,48-49)	Hammer cylinder, complete		1	9234 0004 08
43	Gasket		1	9234 0001 28
44	Hammer cylinder		1	-
45(46-47)	Oil plug, complete		1	9232 0123 51
46	Oil plug		1	-
47	O-ring		1	9232 0310 90
48	Gasket		1	9234 0001 27
49	Stud	M6 x 18 mm, L = 28 mm	2	9234 0004 23
50(51,54-56)	Drive piston, complete		1	9234 0003 01
51(52-53)	Piston ring, complete		1	9234 0002 71
52	Piston ring		1	-
53	O-ring		1	-
54	Drive piston		1	-
55	Piston pin		1	9234 0002 45
56	Circlip		2	9232 0505 60
57(58-62)	Connection rod, complete		1	9234 0002 49
58	Connection rod		1	-
59	Needle bearing		1	9234 0003 96
60	Needle bearing		1	4090 0369 00
61	Shim		1	9234 0004 12
62	Lock ring		1	9234 0002 84

Fuel tank, 28 x 160, 32 x 160, 28 x 152, 32 x 152 mm



CROWDER SUPPLY CO INC * 8495 Roslyn St., Commerce City, CO 80022 * 303.433.5144 FAX: 303.433.3928 TOLL FREE: 888.883.5144 * WWW.CROWDERSUPPLY.COM

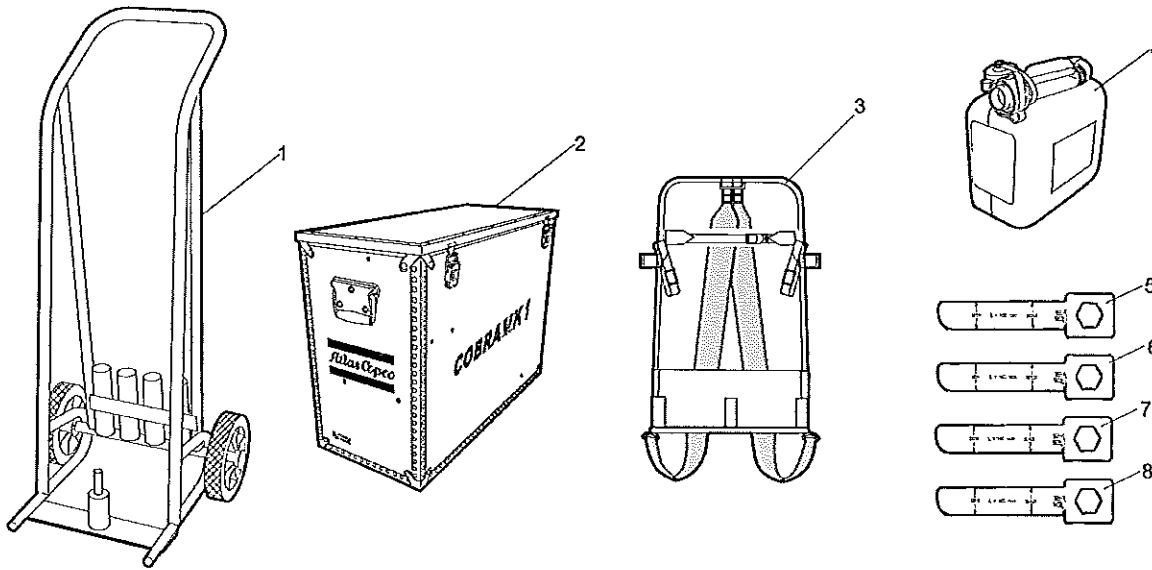
No.	Description	Remark	Quantity	Part number
1(2-3,4,9-10)	Handle frame and fuel tank, complete		1	9234 0006 47
2	Tank cap		1	9234 0015 19
3	Handle frame		1	-
4(5-8)	Tank grommet, complete		1	9234 0004 84
5	Tank grommet		1	-
6	Pipe	Fuel filter (D), see section "Motor" for placement. L = 625 mm L = 24.6 in.	1	9234 0004 85
7	Filter		1	9232 2306 00
8	Pipe	Tank connection (E), see section "Motor" for placement. L = 340 mm L = 13.4 in.	1	9234 0002 97
9	Label	"H.A.P.S"	1	9234 0006 05
10	Label	"Oil mix 2%"	1	9234 0009 09
11(12-17)	Stabilization arm, complete		1	9234 0007 50
12	Washer		2	9234 0005 84
13	Stabilization arm		1	-
14	Toggle joint	The toggle joint (E) is marked with a yellow dot.	2	-
15	Nut	M6, DIN 6927	1	9232 0207 50
16	Washer	6.4 x 12 mm, T = 1.5	1	0301 2321 00
17	Handle locking nut		1	9234 0002 18
18	Handle locking nut		1	9234 0002 18
19(20-21)	Handle, complete	Right	1	9234 0005 68
20	Washer		1	9234 0005 84
21	Handle	Right	1	-
22(23-26)	Handle strap, complete	There are two "Handle strap, complete" on the machine.	1	9234 0002 78
23	Strap		1	-
24	Nut	M6MF M6	1	-
25	Stud		1	-
26	Nut		1	9234 0005 10
27	Plastic tie band		1	9234 0004 69
28(29-30,31,41-43)	Handle, complete	Left	1	9234 0005 69
29	Washer		1	9234 0005 84
30	Handle	Left	1	-
31(32,36,40)	Protection pipe and throttle cable, complete		1	9234 0005 32
32(33-35)	Protection pipe, complete		1	9234 0002 55
33	Protection pipe		1	-
34	Cable	Induction coil (A), see section "Motor" for placement. L = 690 mm L = 27.2 in.	1	-
35	Cable	Earth connection (B), see section "Motor" for placement. L = 395 mm L = 15.6 in.	1	-
36(37-39)	Throttle cable, complete		1	9234 0002 12
37	Wire		1	-
38	Outer cable		1	-
39	Adjustment screw with nut		1	-
40	Nipple		1	9234 0004 90
41	Cylindrical pin		1	9234 0005 65
42	Stop switch		1	9234 0001 11

CROWDER SUPPLY CO INC * 8495 Roslyn St., Commerce City, CO 80022 * 303.433.5144 FAX: 303.433.3928 TOLL FREE: 888.883.5144 * WWW.CROWDERSUPPLY.COM

No.	Description	Remark	Quantity	Part number
43	Throttle control		1	9234 0005 25

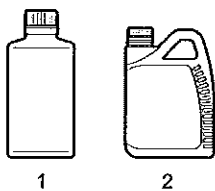
Accessories

Accessories



No.	Description	Remark	Quantity	Part number
1	Trolley		1	9234 0006 54
2	Transport box		1	9234 0009 91
3	Carrying harness		1	9238 2814 10
4	Fuel can	5.0 litres 1.1 gal Not approved in the U.S according to EPA regulations.	1	9234 0008 97
5	Template	28 x 152 mm 1 1/8 x 6 in.	1	9238 2743 00
6	Template	28 x 160 mm 1 1/8 x 6 1/4 in.	1	9238 2743 10
7	Template	32 x 152 mm 1 1/4 x 6 in.	1	9238 2738 70
8	Template	32 x 160 mm 1 1/4 x 6 1/4 in.	1	9238 2738 80

Motor oil



No.	Description	Remark	Quantity	Part number
1	2-stroke oil (motor oil)	1l (fully synthetic and biodegradeble)	1	9238 2743 50

CROWDER SUPPLY CO INC * 8495 Roslyn St., Commerce City, CO 80022 * 303.433.5144 FAX: 303.433.3928 TOLL FREE: 888.883.5144 * WWW.CROWDERSUPPLY.COM

No.	Description	Remark	Quantity	Part number
1	2-stroke oil (motor oil)	1l (fully synthetic and biodegradeble)	12	9234 0014 06
2	Cobra & compactor impact-oil (transmission oil)	1l (for impact and transmission unit)	1	9234 0012 03
2	Cobra & compactor impact-oil (transmission oil)	1l (for Impact and transmission unit)	20	9234 0014 05

Kits

Service kit

One month service kit

Part number 9234 0006 87

Description	Remark	Quantity	Part number
Spark plug		1	9234 0004 48
Air filter		1	9234 0001 36

Three months service kit

Part number 9234 0006 88

Description	Remark	Quantity	Part number
One month service kit		1	9234 0006 87
Scraper ring, complete		1	9234 0005 54
Gasket		1	9234 0001 28

Six months service kit

Part number 9234 0006 89

Description	Remark	Quantity	Part number
Three months service kit		1	9234 0006 88
O-ring		2	9234 0002 28
O-ring		1	9234 0002 29
O-ring		1	9234 0002 30
Filter		1	9232 2306 00
Piston ring, complete		2	9234 0002 71
Gasket		1	9234 0001 27
Gasket		1	9234 0001 37
Plastic bushing		2	9234 0003 35
Plastic bushing		3	9234 0005 75
Gasket		1	9234 0004 13
Gasket		1	9234 0002 67

Twelve months service kit

Part number 9234 0006 90

Description	Remark	Quantity	Part number
Six months service kit		1	9234 0006 89
Bearing and seal, complete		1	9234 0003 18
Piston ring		2	9234 0000 07
Gasket		1	9234 0001 26

Seal kit

Description	Remark	Quantity	Part number
Complete seal kit	Includes all seals for an overhaul.	1	9234 0006 91
Gasket		1	9234 0001 37
Gasket		1	9234 0004 13
Gasket		1	9234 0002 67
Gasket		1	9234 0001 26
Seal		2	9234 0006 06
Seal		1	9234 0000 74
Gasket, crankcase		1	9234 0004 14
Gasket, transmission		1	9234 0004 15
Seal	1 - ¼ in.	1	9234 0005 17
Seal	1 - ½ in.	1	9234 0005 24
Scraper ring, complete		1	9234 0005 54
Speed seal		1	-
O-ring		1	-
Lock ring		1	-
Scraper ring		1	-
Support ring		1	9234 0005 36
O-ring		2	9234 0002 28
O-ring		1	9234 0002 29
O-ring		1	9234 0002 30
Piston ring, complete		1	9234 0002 71
Piston ring		2	-
O-ring		2	-
Gasket		1	9234 0001 28
O-ring		1	9232 0310 90
Gasket		1	9234 0001 27

Carburettor repair kit

Description	Remark	Quantity	Part number
Carburettor repair kit		1	9234 0009 12
Gasket		1	-
Gasket		1	-
Diaphragm		1	-
Diaphragm		1	-

CROWDER SUPPLY CO INC * 8495 Roslyn St., Commerce City, CO 80022 * 303.433.5144 FAX: 303.433.3928 TOLL FREE: 888.883.5144 * WWW.CROWDERSUPPLY.COM

Part number	Page	No.
0147 1335 03	12	64
0147 1345 03	12	65
0147 1347 03	12	81
0300 0274 74	12	75
	15	10
0301 2318 00	11	48
0301 2321 00	8	88
	19	16
0384 3310 00	8	59
3083 3197 00	21	13
	22	13
	23	13
	24	13
3083 3205 00	22	1
3083 3206 00	22	1
3083 3207 00	22	1
3083 3208 00	22	2
3083 3209 00	22	2
3083 3210 00	22	2
3083 3211 00	22	3
3083 3212 00	22	4
3083 3213 00	22	5
3083 3214 00	22	6
3083 3215 00	22	7
3083 3216 00	22	8
3083 3217 00	22	9
3083 3217 10	22	9
3083 3218 01	22	11
3083 3267 00	23	1
3083 3268 00	23	2
3083 3269 00	23	11
3083 3271 00	21	1
3083 3272 00	21	1
3083 3273 00	21	1
3083 3274 00	21	2
3083 3275 00	21	2
3083 3276 00	21	2
3083 3277 00	21	3
3083 3278 00	21	4
3083 3279 00	21	5
3083 3280 00	21	6
3083 3281 00	21	7
3083 3282 00	21	8
3083 3283 01	21	11
3083 3285 00	24	1
3083 3286 00	24	2
3083 3287 00	24	11
3083 3289 00	23	3
3083 3290 00	23	4
3083 3291 00	23	5
3083 3292 00	23	6
3083 3293 00	23	7
3083 3294 00	23	8
3083 3295 00	24	3
3083 3296 00	24	4

Part number	Page	No.
3083 3297 00	24	5
3083 3298 00	24	6
3083 3299 00	24	7
3083 3300 00	24	8
3083 3301 00	21	12
	22	12
	23	12
	24	12
3083 3302 00	21	13
	22	13
	23	13
	24	13
3083 3314 00	24	9
3083 3319 00	21	9
3083 4000 10	24	1
3083 4000 20	24	1
3083 4001 10	24	2
3083 4001 20	24	2
3083 4002 00	24	3
3083 4004 00	24	4
3083 4015 10	23	1
3083 4015 20	23	1
3083 4016 10	23	2
3083 4016 20	23	2
3083 4017 00	23	3
3083 4019 00	23	4
3376 1120 77	21	15
	22	15
	23	15
	24	15
3376 1120 79	21	15
	22	15
	23	15
	24	15
4090 0369 00	16	60
9232 0115 30	7	42
	8	55
9232 0118 80	11	9
	11	46
9232 0120 00	12	53
9232 0122 00	8	67
9232 0123 51	16	45
9232 0124 00	8	69
9232 0207 50	7	4
	7	9
	8	81
	8	84
	11	34
	11	35
	19	15
9232 0208 80	7	32
9232 0209 00	8	61
	12	74
9232 0310 90	16	47
	28	
9232 0503 50	8	52
9232 0505 60	16	56
9232 0905 20	12	76
9232 0905 30	8	51

Part number	Page	No.
9232 2228 40	11	20
	12	68
9232 2306 00	19	7
	27	
9234 0000 07	11	4
	27	
9234 0000 08	11	5
9234 0000 09	11	6
9234 0000 19	7	6
9234 0000 20	7	1
9234 0000 26	7	35
9234 0000 32	12	70
9234 0000 38	11	12
9234 0000 40	7	46
9234 0000 41	7	47
9234 0000 45	8	50
9234 0000 54	7	48
9234 0000 56	7	11
9234 0000 59	8	49
9234 0000 63	7	33
9234 0000 67	11	43
9234 0000 68	11	44
9234 0000 69	11	42
9234 0000 71	11	40
9234 0000 72	11	21
9234 0000 74	11	19
	11	30
	28	
9234 0000 75	11	22
9234 0000 76	11	27
9234 0000 81	8	56
9234 0000 84	8	58
9234 0000 85	8	60
9234 0001 06	11	1
9234 0001 11	19	42
9234 0001 14	7	39
9234 0001 15	7	43
9234 0001 24	7	28
9234 0001 26	11	7
	27	
	28	
9234 0001 27	16	48
	27	
	28	
9234 0001 28	16	43
	27	
	28	
9234 0001 36	7	38
	27	
9234 0001 37	7	37
	27	
	28	
9234 0001 43	8	83
9234 0001 44	8	78
9234 0001 45	8	77
9234 0001 54	12	71
9234 0001 55	12	72

CROWDER SUPPLY CO INC * 8495 Roslyn St., Commerce City, CO 80022 * 303.433.5144 FAX: 303.433.3928 TOLL FREE: 888.883.5144 * WWW.CROWDERSUPPLY.COM

Part number	Page	No.
9234 0001 57	11	41
9234 0001 58	11	39
9234 0001 64	12	63
9234 0001 79	15	25
9234 0001 80	11	49
9234 0001 86	11	26
9234 0002 00	12	73
9234 0002 01	8	53
9234 0002 05	12	52
9234 0002 12	19	36
9234 0002 18	19	17
	19	18
9234 0002 28	15	34
	27	
	28	
9234 0002 29	15	35
	27	
	28	
9234 0002 30	15	36
	27	
	28	
9234 0002 45	16	55
9234 0002 49	16	57
9234 0002 55	19	32
9234 0002 65	7	27
9234 0002 67	8	72
	27	
	28	
9234 0002 71	15	39
	16	51
	27	
	28	
9234 0002 78	19	22
9234 0002 79	11	26
9234 0002 81	12	51
9234 0002 82	11	36
9234 0002 84	16	62
9234 0002 97	7	30
	19	8
9234 0002 98	7	31
9234 0002 99	8	80
9234 0003 00	15	37
9234 0003 01	16	50
9234 0003 04	12	67
9234 0003 18	11	13
	27	
9234 0003 20	11	28
9234 0003 24	11	50
9234 0003 32	8	79
9234 0003 35	8	86
	27	
9234 0003 36	8	82
9234 0003 40	11	8
9234 0003 43	7	21
9234 0003 45	7	10
9234 0003 54	7	5

Part number	Page	No.
9234 0003 96	11	18
	11	29
	16	59
9234 0004 02	8	71
9234 0004 08	16	42
9234 0004 10	8	74
9234 0004 12	16	61
9234 0004 13	8	70
	27	
	28	
9234 0004 14	11	23
	28	
9234 0004 15	11	24
	28	
9234 0004 23	11	32
	12	78
	16	49
9234 0004 48	11	11
	27	
9234 0004 69	19	27
9234 0004 84	19	4
9234 0004 85	19	6
9234 0004 86	8	68
9234 0004 90	19	40
9234 0004 91	7	45
9234 0005 10	19	26
9234 0005 17	15	20
	15	23
	28	
9234 0005 24	15	14
	15	17
	28	
9234 0005 25	20	43
9234 0005 27	11	33
9234 0005 32	19	31
9234 0005 33	7	17
	8	64
9234 0005 35	15	24
9234 0005 36	15	32
	28	
9234 0005 44	15	21
9234 0005 47	15	26
9234 0005 48	15	18
9234 0005 49	15	15
9234 0005 50	15	12
9234 0005 54	15	27
	27	
	28	
9234 0005 55	15	1
9234 0005 65	19	41
9234 0005 68	19	19
9234 0005 69	19	28
9234 0005 75	12	77
	27	
9234 0005 81	8	76
9234 0005 84	19	12
	19	20
	19	29
9234 0006 01	12	59

Part number	Page	No.
9234 0006 05	19	9
9234 0006 06	11	15
	28	
9234 0006 37	15	3
9234 0006 47	19	1
9234 0006 54	25	1
9234 0006 74	8	73
9234 0006 86	7	40
9234 0006 87	27	
9234 0006 88	27	
9234 0006 89	27	
9234 0006 91	28	
9234 0007 50	19	11
9234 0008 97	25	4
9234 0009 09	19	10
9234 0009 12	28	
9234 0009 23	7	3
9234 0009 91	25	2
9234 0009 95	7	14
9234 0010 04	15	11
9234 0010 08	7	18
9234 0010 09	7	22
9234 0010 29	8	62
9234 0010 30	7	36
9234 0012 03	26	2
9234 0014 05	26	2
9234 0014 06	26	1
9234 0014 19	12	79
9234 0014 20	12	80
9234 0015 11	8	75
9234 0015 19	19	2
9234 0015 22	11	47
9234 0015 44	7	15
9234 0015 45	8	65
9234 0015 46	7	12
9234 0015 48	11	45
9238 2738 70	25	7
9238 2738 80	25	8
9238 2743 00	25	5
9238 2743 10	25	6
9238 2743 50	25	1
9238 2814 10	25	3
9245 2826 81	22	10
9245 2827 10	21	14
	22	14
	23	14
	24	14