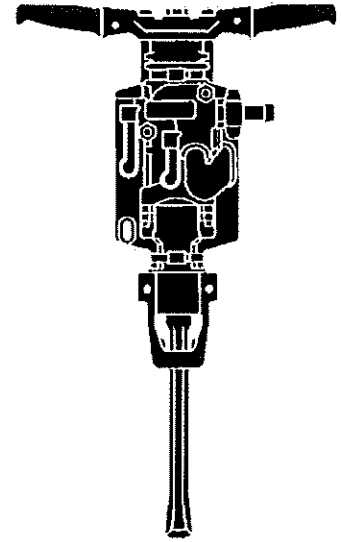


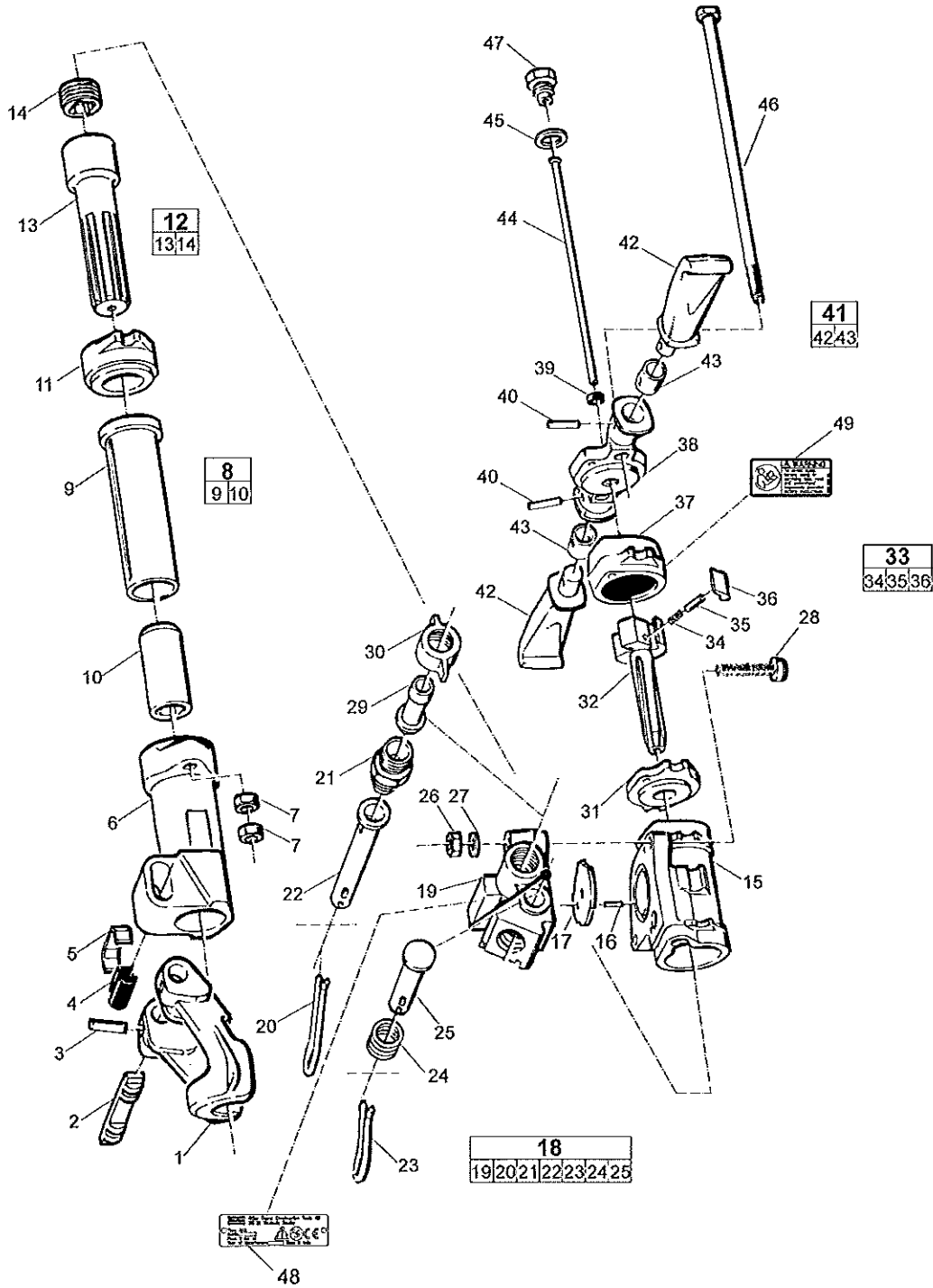
## Spare parts list

### Rock drills



# Spare parts list

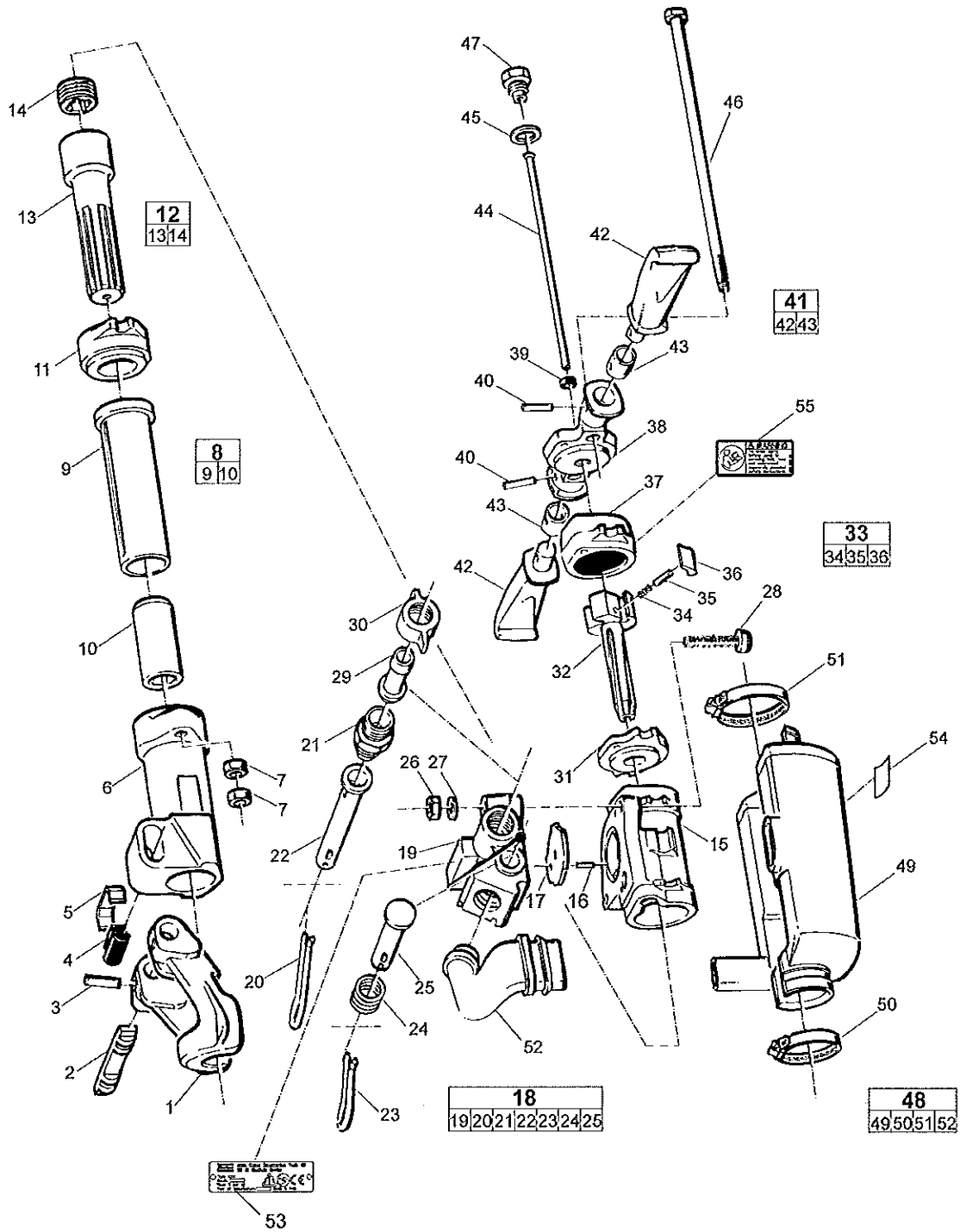
## RH 571-5L



CROWDER SUPPLY CO INC \* 8495 Roslyn St., Commerce City, CO 80022 \* 303.433.5144 FAX: 303.433.3928 TOLL FREE: 888.883.5144 \* WWW.CROWDERSUPPLY.COM

No.	Description	Remark	Quantity	Part number
1	Drill steel retainer		1	3121 0851 00
2	Retainer pin		1	3115 2925 00
3	Tension pin	Ø 10 x 40 mm Ø 0.39 x 1.57 in.	2	0108 3392 00
4	Rubber buffer		1	3121 0030 00
5	Buffer plate		1	3121 0029 00
6	Front head		1	3111 0141 00
7	Nut		4	0266 1208 00
8(9-10)	Rotation chuck, complete		1	3111 0185 80
9	Rotation chuck		1	-
10	Chuck bushing	Hexagon 22 x 108 mm Hexagon ¾ x 4¼ in.	1	3111 0186 00
11	Intermediate part		1	3111 0143 00
12(13-14)	Piston, complete		1	3111 0162 80
13	Piston		1	-
14	Rifle nut		1	3100 9299 08
15	Cylinder		1	3106 0825 00
16	Spring pin	Ø 4 x 16 mm Ø 0.16 x 0.63 in.	1	0108 1238 00
17	Main valve		1	3101 1586 01
18(19-25)	Throttle housing, complete		1	3115 1163 80
19	Throttle housing		1	-
20	Lever		1	3115 2635 00
21	Hexagon nipple		1	9000 0345 00
22	Throttle valve		1	3115 1190 00
23	Lever		1	3101 3664 00
24	Coil spring		1	3001 3957 01
25	Exhaust valve		1	3101 4988 00
26	Nut		2	3000 1345 00
27	Lock washer		2	0333 3139 00
28	Bolt		2	3100 0194 06
29	Hose nipple	¾ in.	1	3115 1543 00
30	Wing nut		1	9000 0338 00
31	Cover		1	3106 0827 00
32	Rifle bar		1	3111 0145 00
33(34-36)	Pawl, complete		1	3115 9200 90
34	Pressure spring		4	3100 9140 02
35	Pawl pin		4	3100 9641 01
36	Pawl		4	3101 3159 00
37	Ratchet ring		1	3115 1167 00
38	Back head		1	3115 1166 00
39	Rubber packing		1	3000 0121 00
40	Spring pin	Ø 8 x 36 mm Ø 0.31 x 1.42 in.	2	0108 1360 00
41(42-43)	Handle, complete		1	3310 0569 80
42	Handle		2	-
43	Bushing		2	3310 0572 00
44	Air flushing tube		1	3111 0140 00
45	Seal washer		1	3100 9341 00
46	Side bolt		2	3111 0144 00
47	Plug		1	3100 0120 00
48	Data plate		1	-
49	Safety label		1	3310 1602 00

# RH 571-5LS



CROWDER SUPPLY CO INC \* 8495 Roslyn St., Commerce City, CO 80022 \* 303.433.5144 FAX: 303.433.3928 TOLL FREE: 888.883.5144 \* WWW.CROWDERSUPPLY.COM

No.	Description	Remark	Quantity	Part number
1	Drill steel retainer		1	3121 0851 00
2	Retainer pin		1	3115 2925 00
3	Tension pin	Ø 10 x 40 mm Ø 0.39 x 1.57 in.	2	0108 3392 00
4	Rubber buffer		1	3121 0030 00
5	Buffer plate		1	3121 0029 00
6	Front head		1	3111 0141 00
7	Nut		4	0266 1208 00
8(9-10)	Rotation chuck, complete		1	3111 0185 80
9	Rotation chuck		1	-
10	Chuck bushing	Hexagon 22 x 108 mm Hexagon ¾ x 4¼ in.	1	3111 0186 00
11	Intermediate part		1	3111 0143 00
12(13-14)	Piston, complete		1	3111 0162 80
13	Piston		1	-
14	Rifle nut		1	3100 9299 08
15	Cylinder		1	3106 0825 00
16	Spring pin	Ø 4 x 16 mm Ø 0.16 x 0.63 in.	1	0108 1238 00
17	Main valve		1	3101 1586 01
18(19-25)	Throttle housing, complete		1	3115 1163 80
19	Throttle housing		1	-
20	Lever		1	3115 2635 00
21	Hexagon nipple		1	9000 0345 00
22	Throttle valve		1	3115 1190 00
23	Lever		1	3101 3664 00
24	Coil spring		1	3001 3957 01
25	Exhaust valve		1	3101 4988 00
26	Nut		2	3000 1345 00
27	Lock washer		2	0333 3139 00
28	Bolt		2	3100 0194 06
29	Hose nipple	¾ in.	1	3115 1543 00
30	Wing nut		1	9000 0338 00
31	Cover		1	3106 0827 00
32	Rifle bar		1	3111 0145 00
33(34-36)	Pawl, complete		1	3115 9200 90
34	Pressure spring		4	3100 9140 02
35	Pawl pin		4	3100 9641 01
36	Pawl		4	3101 3159 00
37	Ratchet ring		1	3115 1167 00
38	Back head		1	3115 1166 00
39	Rubber packing		1	3000 0121 00
40	Spring pin	Ø 8 x 36 mm Ø 0.31 x 1.42 in.	2	0108 1360 00
41(42-43)	Handle, complete		1	3310 0569 80
42	Handle		2	-
43	Bushing		2	3310 0572 00
44	Air flushing tube		1	3111 0140 00
45	Seal washer		1	3100 9341 00
46	Side bolt		2	3111 0144 00
47	Plug		1	3100 0120 00

No.	Description	Remark	Quantity	Part number
48(49-52)	Silencer, complete		1	3115 2485 81
49	Silencer		1	3115 2485 80
50	Hose clamp	Ø 62-79 mm Ø 2.44-3.11 in.	1	0347 6114 00
51	Hose clamp	Ø 77-87 mm Ø 3.03-3.43 in.	1	0347 6116 00
52	Connecting pipe		1	3115 1141 00
53	Data plate		1	-
54	Product label	"Atlas Copco"	1	0690 1356 00
55	Safety label		1	3310 1602 00

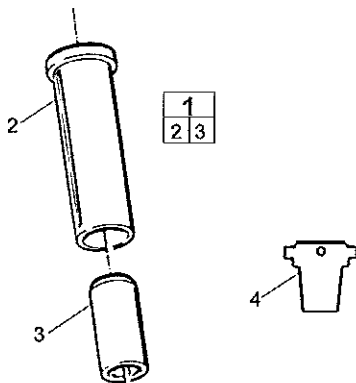
## Accessories

### Accessories

Description	Remark	Quantity	Part number
Lubricator CLG 30, European type claw couplings	For mineral & synthetic oil	1	3128 2560 20
Lubricator CLG 30, US type claw couplings	For mineral & synthetic oil	1	8202 5102 40
Lubricator BLG 30, European type claw couplings	For mineral oil	1	8202 5102 05
Lubricator BLG 30, US type claw couplings	For mineral oil	1	8202 5102 14
Water separator VAM 01, European type claw couplings	Airflow < 50 l/s Airflow < 106 ft <sup>3</sup> /min	1	8092 0110 58
Water separator VAM 01, US type claw couplings	Airflow < 50 l/s Airflow < 106 ft <sup>3</sup> /min	1	8092 0110 59
Water separator VAM 5A, European type claw couplings	Airflow < 120 l/s Airflow < 254 ft <sup>3</sup> /min	1	8092 0110 83
Water separator VAM 5A, US type claw couplings	Airflow < 120 l/s Airflow < 254 ft <sup>3</sup> /min	1	8092 0110 83
Hose nipple (Standard on RH 571-5L & RH 571-5LS)	ø 19 mm ø ¾ in.	1	3115 1543 00
Rubber hose, pre-mounted with European type claw couplings, 3 m (118 in.)	ø 19 mm ø ¾ in.	1	9030 2047 00
Rubber hose, pre-mounted with US type claw couplings, 3 m (118 in.)	ø 19 mm ø ¾ in.	1	9030 2065 00
X-LITE flat hose, pre-mounted with European type claw couplings, 3 m (118 in.)	ø 19 mm ø ¾ in.	1	9030 2163 00

## Optional equipment

### RH 571-5L, RH 571-5LS



No.	Description	Remark	Quantity	Part number
1(2-3)	Rotation chuck, complete	Hexagon 19 x 108 mm Hexagon ¾ x 4¼ in.	1	3111 0185 81
2	Rotation chuck		1	-
3	Chuck bushing	Hexagon 19 x 108 mm Hexagon ¾ x 4¼ in.	1	3111 0192 00
4	Gauge	Hexagon 22 mm Hexagon ⅞ in.	1	9238 2707 90