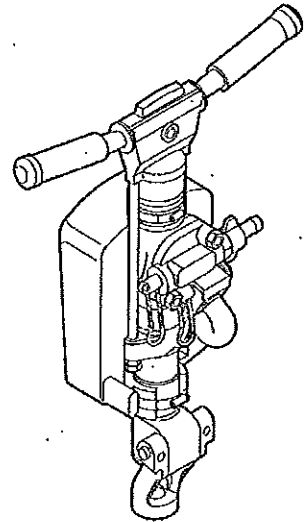
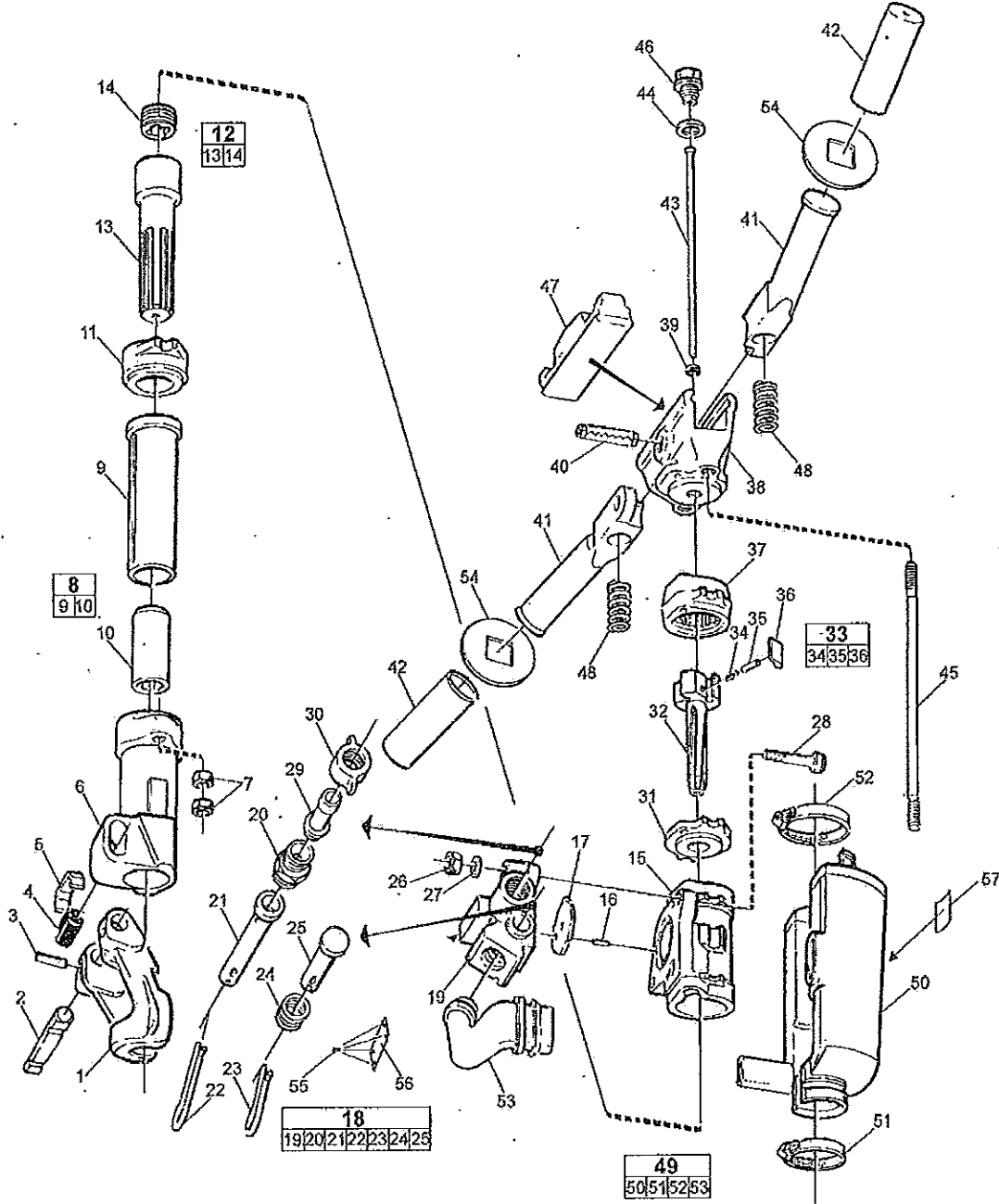


Spare parts list Handheld pneumatic drills



Spare parts list

RH 572E



No.	Description	Remark	Quantity	Part number
1	Drill steel retainer		1	3121 0851 00
2	Retainer pin		1	3115 2925 00
3	Tension pin	Ø10 x 40 mm	2	0108 3392 00
4	Rubber buffer		1	3121 0030 00
5	Buffer plate		1	3121 0029 00
6	Front head		1	3111 0141 00
7	Nut		4	0266 1208 00
8(9-10)	Rotation chuck, complete		1	3111 0185 80
9	Rotation chuck	Hexagon 22 x 108 mm	1	-
10	Tool bushing	Hexagon 22 x 108 mm	1	3111 0186 00
11	Intermediate part		1	3111 0143 00
12(13-14)	Piston, complete		1	3111 0162 80
13	Piston		1	-
14	Rifle nut		1	3100 9299 08
15	Cylinder		1	3106 0825 00
16	Spring pin	Ø4 x 16 mm	1	0108 1238 00
17	Main valve		1	3101 1586 01
18(19-20)	Throttle housing, complete		1	3115 1163 81
19	Throttle housing		1	-
20	Hexagon nipple		1	3115 1924 01
21	Throttle valve		1	3115 1190 00
22	Lever		1	3115 2635 00
23	Lever		1	3101 3664 00
24	Coil spring		1	3001 3957 01
25	Exhaust valve		1	3101 4988 00
26	Nut		2	3000 1345 00
27	Lock washer		2	0333 3139 00
28	Bolt		2	3100 0194 06
29	Hose nipple	½"	1	3115 1543 00
30	Wing nut		1	3000 0338 00
31	Cover		1	3106 0827 00
32	Rifle bar		1	3111 0145 00
33(34-36)	Pawl, complete		1	3115 9200 90
34	Pressure spring		4	3100 9140 02
35	Pawl pin		4	3100 9641 01
36	Pawl		4	3101 3159 00
37	Ratchet ring		1	3115 1167 00
38	Back head		1	3115 1885 00
39	Rubber packing		1	3000 0121 00
40	Spring pin	Ø16 x 70 mm	1	0108 1690 37
41	Handle		2	3115 1886 00
42	Rubber sleeve		2	3310 0852 00
43	Air flushing tube		1	3111 0140 00
44	Seal washer		1	3100 9341 00
45	Side bolt		2	3115 1890 00
46	Plug		1	3115 1888 00
47	Buffer		1	3115 2479 00
48	Spring		2	3115 1889 00
49(50-53)	Silencer, complete		1	3115 2485 81
50	Silencer		1	-
51	Hose clamp	Ø62 - 79 mm	1	0347 6114 00
52	Hose clamp	Ø77 - 87 mm	1	0347 6116 00
53	Connecting pipe		1	3115 1141 00

Spare parts list

RH 572E

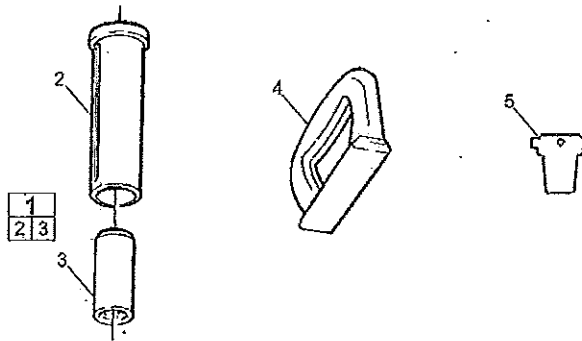
No.	Description	Remark	Quantity	Part number
54	Rubber washer		2	3115 2478 00
55	Screw		4	0244 4144 00
56	Data plate		1	
57	Label	Atlas Copco	1	0690 1356 00

Accessories

Accessories

Description	Remark	Quantity	Part number
Round rubber hoses			
Pre-mounted hose fitted with coupling and hose clamp	European type, 20 mm (¾")	1	9036 2047 00
Pre-mounted hose fitted with coupling and hose clamp	US type, 20 mm (¾")	1	9030 2065 00
Lubricator			
CLG 30, for both mineral and synthetic oil	European type	1	3128 2560 20
CLG 30, for both mineral and synthetic oil	US type	1	8202 5102 40
Water separator			
VAM 01 - European type	airflow <50 % (106 cfm)	1	8092 0110 58
VAM 01 - US type	airflow <50 % (106 cfm)	1	8092 0110 59

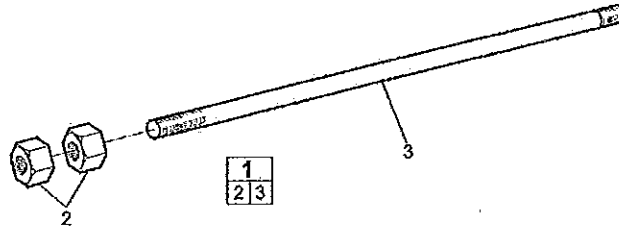
Optional equipment



No.	Description	Remark	Quantity	Part number
1(2-3)	Rotation chuck, complete		1	3111 0185 81
2	Rotation chuck	Hexagon 19 x 108 mm	1	3115 1914 00
3	Tool bushing	Hexagon 19 x 108 mm	1	3111 0192 00
4	Lifting handle		1	3115 1914 00
5	Gauge	Hexagon 22 mm	1	9238 2707 90

Kits

Side bolt kit



No.	Description	Remark	Quantity	Part number
1(2-3)	Side bolt kit		1	3121 5000 31
2	Nut		4	0266 1208 00
3	Side bolt		2	3115 1890 00