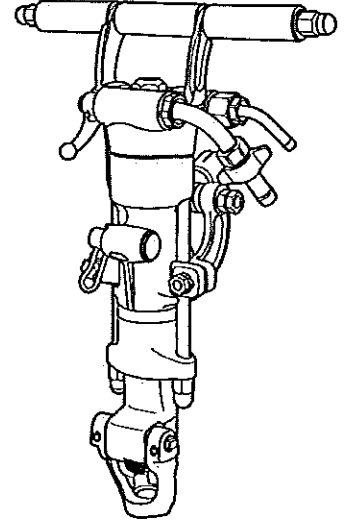
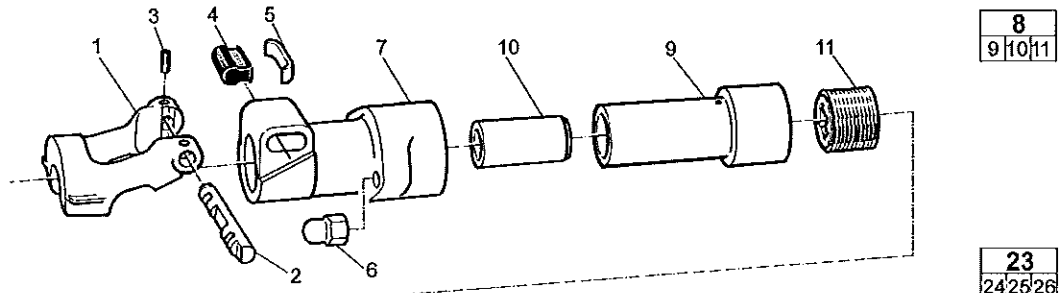


Spare parts list Pusher leg rockdrills

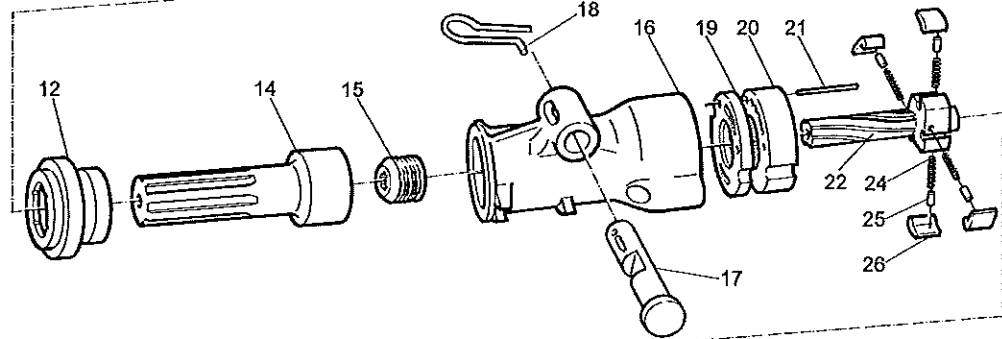


Spare parts list



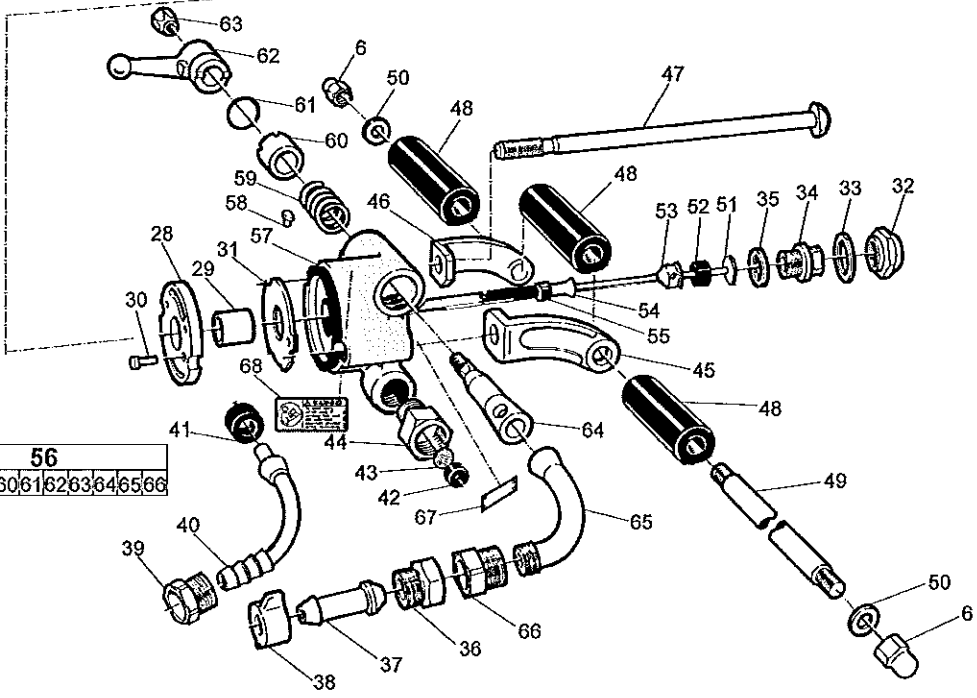
8
9 10 11

13
14 15



23
24 25 26

27
28 29



56
57 58 59 60 61 62 63 64 65 66

CROWDER SUPPLY CO INC * 8495 Roslyn St., Commerce City, CO 80022 * 303.433.5144 FAX: 303.433.3928 TOLL FREE: 888.883.5144 * WWW.CROWDERSUPPLY.COM

No.	Description	Remark	Quantity	Part number
1	Drill steel retainer	22 mm ¾ in.	1	3121 0851 00
2	Retainer pin		1	3121 0852 00
3	Tension pin		2	0108 3392 00
4	Buffer		1	3121 0030 00
5	Buffer plate		1	3121 0029 00
6	Side bolt nut		4	3121 0292 00
7	Front head		1	3121 0342 00
8(9-11)	Rotation chuck, complete		1	3121 0769 80
9	Rotation chuck		1	-
10	Rotation chuck bushing	22 x 108 mm ¾ in. x 4¼ in.	1	3121 0023 00
11	Chuck nut		1	3115 1221 00
12	Intermediate part		1	3121 0339 00
13(14-15)	Piston, complete		1	3100 8478 80
14	Piston		1	-
15	Rifle nut		1	3100 9299 05
16	Cylinder		1	3121 0337 00
17	Outlet valve		1	3115 1778 00
18	Throttle lever		1	3115 1779 00
19	Guide disc		1	3106 8683 00
20	Ratchet box		1	3106 8682 00
21	Guide pin		1	0108 1336 00
22	Rifle bar		1	3101 3154 00
23(24-26)	Pawl, complete		1	3115 9200 90
24	Pressure spring		4	3100 9140 02
25	Pawl pin		4	3100 9641 01
26	Pawl		4	3101 3159 00
27(28-29)	Cover, complete		1	3106 8680 80
28	Cover		1	-
29	Bushing		1	3100 9894 01
30	Guide pin		1	3100 9665 00
31	Main valve		1	3106 8681 00
32	Protecting nut		1	3100 9643 01
33	Seal washer		1	3101 4146 00
34	Adapter		1	3100 9623 01
35	Seal washer		1	3000 9341 02
36	Hexagon nipple		1	9000 0350 00
37	Hose nipple, air		1	9000 0325 00
38	Wing nut		1	9000 0338 00
39	Adapter		1	3100 9652 00
40	Hose nipple, water		1	3100 9654 00
41	Rubber packing		1	3100 9653 00
42	Packing		1	3121 0012 00
43	Strainer		1	3121 0011 00
44	Adapter		1	3121 0010 00
45	Handle bracket, left		1	3121 0344 00
46	Handle bracket, right		1	3121 0345 00
47	Side bolt		2	3121 0343 00
48	Handle grip		3	3101 1372 00
49	Stud		1	3121 0360 00
50	Washer		2	3000 0119 01
51	Water flushing tube		1	3121 0588 00
52	Rubber packing		1	3100 9646 00

No.	Description	Remark	Quantity	Part number
53	Guide ring		1	3121 0776 00
54	Air flushing tube		1	3115 0028 00
55	Rubber packing		1	3000 0121 00
56(57-66)	Back head, complete		1	3115 0568 80
57	Back head		1	-
58	Pin		1	3121 0329 00
59	Spring		1	3121 5000 51
60	Pawl washer		1	3121 0332 00
61	O-ring		1	0663 2128 00
62	Control lever		1	3115 0573 00
63	Conical nut		1	3006 8734 00
64	Throttle valve		1	3121 0331 00
65	Elbow		1	3101 1371 00
66	Adapter		1	3101 1370 00
67	Data plate		1	-
68	Safety label		1	3310 1602 00

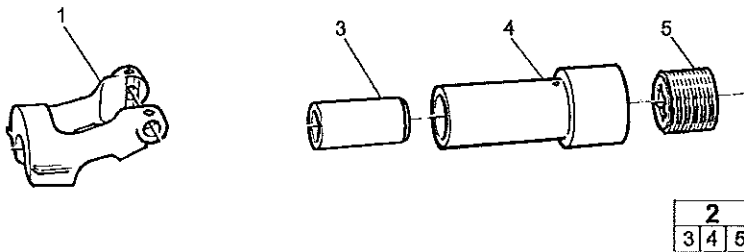
CROWDER SUPPLY CO INC * 8495 Roslyn St., Commerce City, CO 80022 * 303.433.5144 FAX: 303.433.3928 TOLL FREE: 888.883.5144 * WWW.CROWDERSUPPLY.COM

Accessories

Accessories

Description	Remark	Quantity	Part number
Lubricator			
BLG 30, European type	For mineral oil.	1	8202 5102 05
CLG 30, European type	For both mineral and synthetic oil.	1	3128 2560 20
Water separator			
VAM 01, European type	Airflow <50 l/s 106 cfm	1	8092 0110 58
VAM 5A, European type	Airflow <120 l/s 254 cfm	1	8092 0110 83
Air line accessories			
Rubber hose, pre-mounted	25 mm 1 in.	1	9030 2051 00
X-LITE flat hose, universal	25 mm 1 in.	1	9030 2111 00

Optional equipment

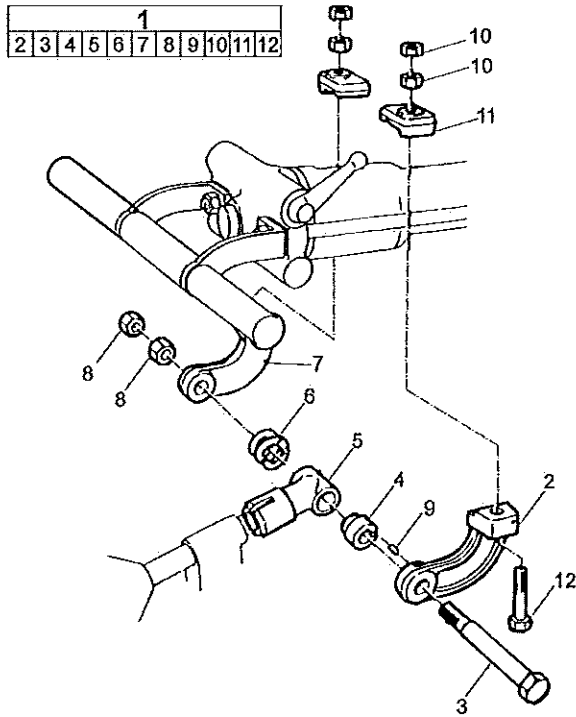


No.	Description	Remark	Quantity	Part number
1	Drill steel retainer	H25	1	3121 0888 00
2(3-5)	Rotation chuck, complete		1	3121 0769 83
3	Rotation chuck bushing	25 x 108 mm 1 in. x 4¼ in.	1	3115 1748 00
4	Rotation chuck		1	-
5	Chuck nut		1	3115 1221 00

Kits

Machine attachment kit

For pusher legs BMK 91 RS and BMK 62 S



No.	Description	Remark	Quantity	Part number
1(2-12)	Machine attachment kit		1	3001 3676 81
2	Machine attachment		1	3001 3676 01
3	Bolt		1	3001 3684 01
4	Washer		1	3001 3685 00
5	Feed mount		1	3001 3597 01
6	Spring		1	3000 9140 21
7	Machine holder		1	3001 3677 01
8	Nut		2	3000 1349 02
9	Pin		1	3000 5114 07
10	Nut		4	3000 1345 00
11	Clamp		2	3101 3680 01
12	Bolt		2	3106 9777 00

Side bolt kit

Description	Remark	Quantity	Part number
Side bolt kit		1	3121 5000 32
Dome nut		2	3121 0292 00
Side bolt		2	3121 0343 00