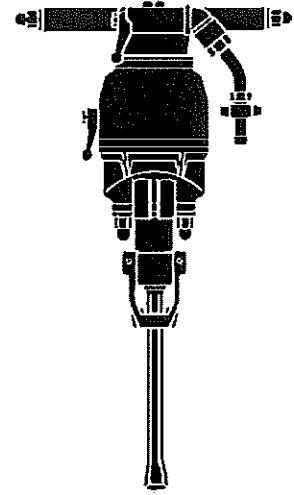


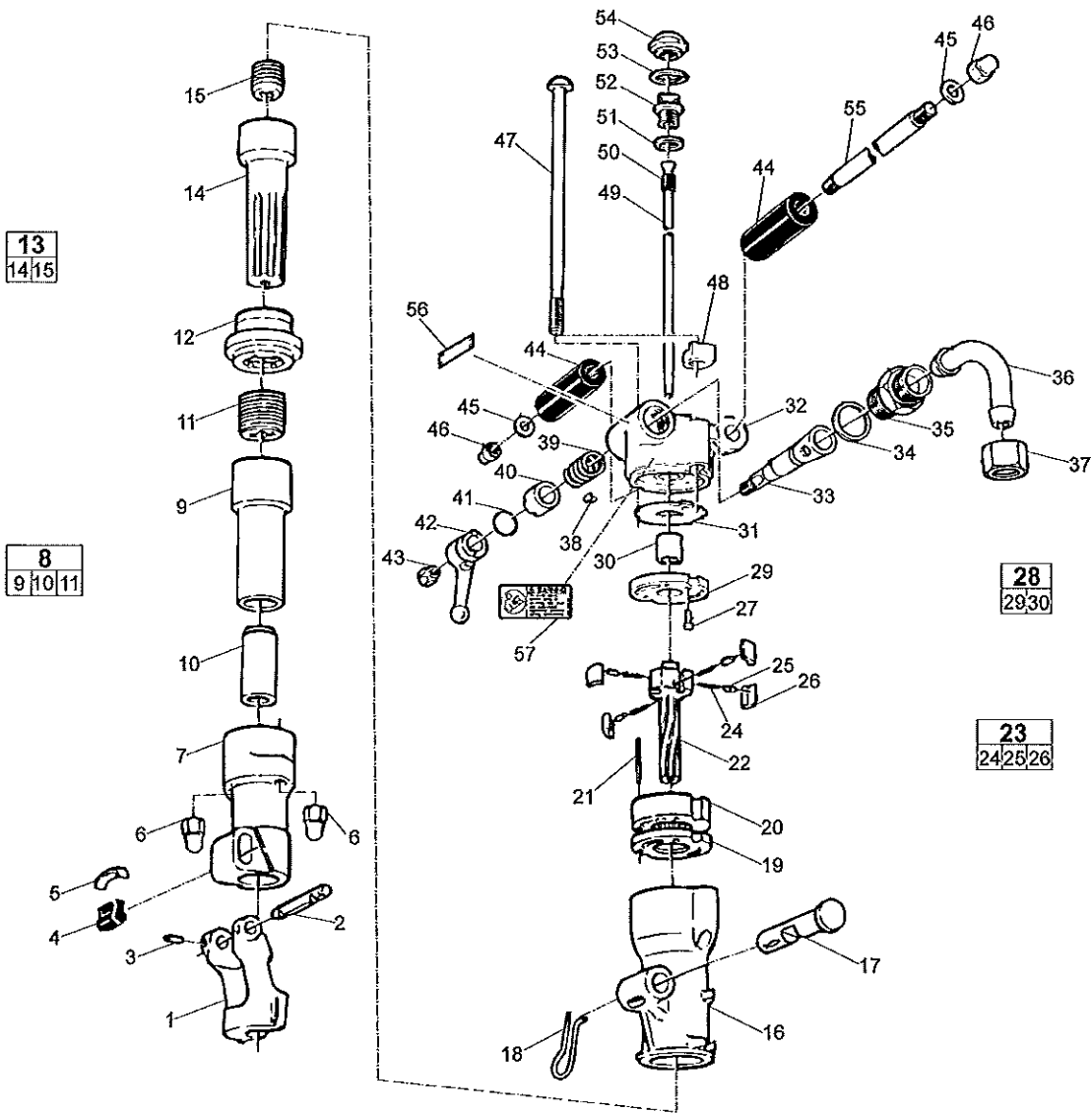
Spare parts list

Rock drills



Spare parts list

RH 658 L



CROWDER SUPPLY CO INC * 8495 Roslyn St., Commerce City, CO 80022 * 303.433.5144 FAX: 303.433.3928 TOLL FREE: 888.883.5144 * WWW.CROWDERSUPPLY.COM

No.	Description	Remark	Quantity	Part number
1	Drill steel retainer	Hexagon 22 mm Hexagon 7/8 in.	1	3121 0851 00
2	Retainer pin		1	3121 0852 00
3	Tension pin		2	0108 3392 00
4	Rubber buffer		1	3121 0030 00
5	Buffer plate		1	3121 0029 00
6	Dome nut		2	3121 0292 00
7	Front head		1	3121 0342 00
8(9-11)	Rotation chuck, complete		1	3121 0769 80
9	Rotation chuck		1	-
10	Rotation chuck bushing	Hexagon 22 x 108 mm Hexagon 7/8 x 4 1/4 in.	1	3121 0023 00
11	Chuck nut		1	3115 1221 00
12	Intermediate part		1	3121 0339 00
13(14-15)	Piston, complete		1	3100 8478 80
14	Piston		1	-
15	Rifle nut		1	3100 9299 05
16	Cylinder		1	3121 0337 00
17	Outlet valve		1	3115 1778 00
18	Lever for extra blowing		1	3115 1779 00
19	Guide disc		1	3106 8683 00
20	Ratchet box		1	3106 8682 00
21	Tension pin	Ø 6 x 60 mm Ø 0.24 x 2.36 in.	1	0108 1336 00
22	Rifle bar		1	3101 3154 00
23(24-26)	Pawl, complete		1	3115 9200 90
24	Pressure spring		4	3100 9140 02
25	Plunger		4	3100 9641 01
26	Pawl		4	3101 3159 00
27	Guide pin		1	3100 9665 00
28(29-30)	Cover, complete		1	3106 8680 80
29	Cover		1	-
30	Bushing		1	3100 9894 01
31	Main valve		1	3106 8681 00
32	Back head		1	3115 0569 00
33	Throttle valve		1	3121 0349 00
34	Washer		1	3115 1045 00
35	Adapter		1	9000 0345 00
36	Hose nipple	Ø 19 mm Ø 3/4 in.	1	3115 1170 00
37	Cap nut		1	9000 0333 00
38	Pin		1	3121 0329 00
39	Coil spring		1	3121 5000 51
40	Lock washer		1	3121 0332 00
41	O-ring		1	0663 2128 00
42	Throttle lever		1	3115 0573 00
43	Nut		1	3008 8734 00
44	Handle grip		2	3101 1372 00
45	Washer		2	3000 0119 01
46	Dome nut		2	3121 0292 00
47	Side bolt		2	3121 0343 00
48	Washer		2	3115 0574 00
49	Air flushing tube		1	3121 0352 00
50	Packing		1	3121 0336 00

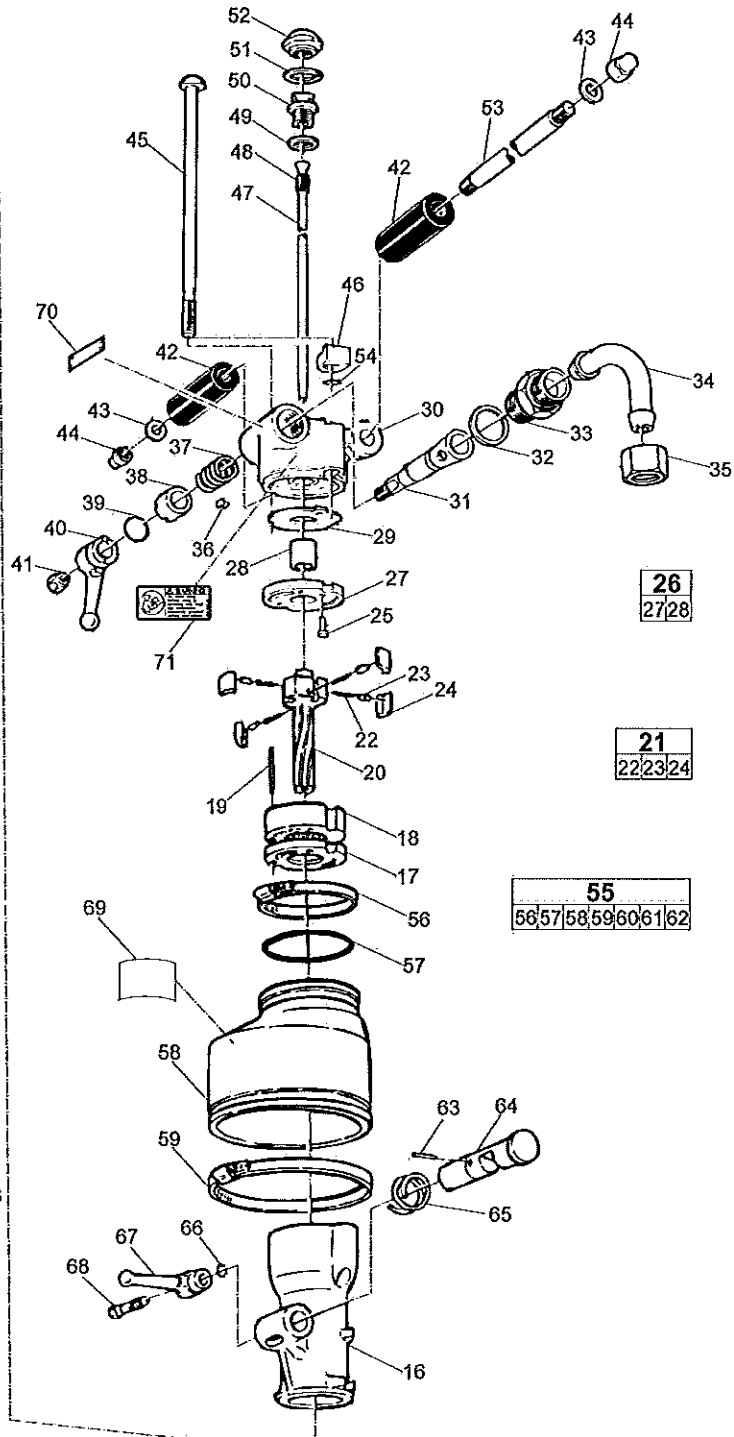
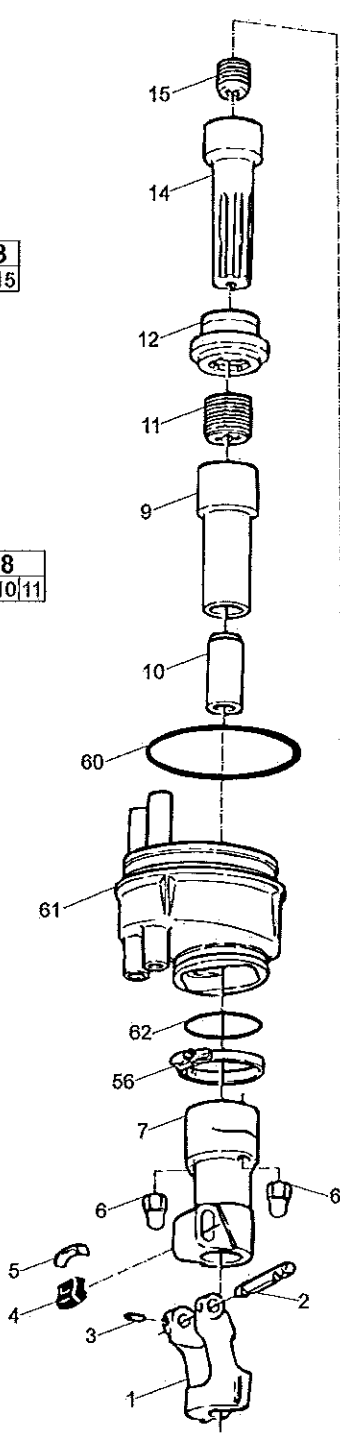
No.	Description	Remark	Quantity	Part number
51	Sealing washer		1	3000 9341 02
52	Adapter		1	3100 9623 01
53	Sealing washer		1	3101 4146 00
54	Protective nut		1	3100 9643 01
55	Handle bolt		1	3121 0360 00
56	Data plate		1	-
57	Safety label		1	3310 1602 00

RH 658 LS

CROWDER SUPPLY CO INC * 8495 Roslyn St., Commerce City, CO 80022 * 303.433.5144 FAX: 303.433.3928 TOLL FREE: 888.883.5144 * WWW.CROWDERSUPPLY.COM

13
14|15

8
9|10|11



26
27|28

21
22|23|24

55
56|57|58|59|60|61|62

No.	Description	Remark	Quantity	Part number
1	Drill steel retainer	Hexagon 22 mm Hexagon 7/8 in.	1	3121 0851 00
2	Retainer pin		1	3121 0852 00
3	Tension pin		2	0108 3392 00
4	Rubber buffer		1	3121 0030 00
5	Buffer plate		1	3121 0029 00
6	Dome nut		2	3121 0292 00
7	Front head		1	3121 0342 00
8(9-11)	Rotation chuck, complete		1	3121 0769 80
9	Rotation chuck		1	-
10	Rotation chuck bushing	Hexagon 22 x 108 mm Hexagon 7/8 x 4 1/4 in.	1	3121 0023 00
11	Chuck nut		1	3115 1221 00
12	Intermediate part		1	3121 0339 00
13(14-15)	Piston, complete		1	3100 8478 80
14	Piston		1	-
15	Rifle nut		1	3100 9299 05
16	Cylinder		1	3121 0337 00
17	Guide disc		1	3106 8683 00
18	Ratchet box		1	3106 8682 00
19	Tension pin	Ø 6 x 60 mm Ø 0.24 x 2.36 in.	1	0108 1336 00
20	Rifle bar		1	3101 3154 00
21(22-24)	Pawl, complete		1	3115 9200 90
22	Pressure spring		4	3100 9140 02
23	Plunger		4	3100 9641 01
24	Pawl		4	3101 3159 00
25	Guide pin		1	3100 9665 00
26(27-28)	Cover, complete		1	3106 8680 80
27	Cover		1	-
28	Bushing		1	3100 9894 01
29	Main valve		1	3106 8681 00
30	Back head		1	3115 0569 00
31	Throttle valve		1	3121 0349 00
32	Washer		1	3115 1045 00
33	Adapter		1	9000 0345 00
34	Hose nipple	Ø 19 mm Ø 3/4 in.	1	3115 1170 00
35	Cap nut		1	9000 0333 00
36	Pin		1	3121 0329 00
37	Coil spring		1	3121 5000 51
38	Lock washer		1	3121 0332 00
39	O-ring		1	0663 2128 00
40	Throttle lever		1	3115 0573 00
41	Nut		1	3006 8734 00
42	Handle grip		2	3101 1372 00
43	Washer		2	3000 0119 01
44	Dome nut		2	3121 0292 00
45	Side bolt		2	3121 0343 00
46	Washer		2	3115 0574 00
47	Air flushing tube		1	3121 0352 00
48	Packing		1	3121 0336 00
49	Sealing washer		1	3000 9341 02
50	Adapter		1	3100 9623 01

No.	Description	Remark	Quantity	Part number
51	Sealing washer		1	3101 4146 00
52	Protective nut		1	3100 9643 01
53	Handle bolt		1	3121 0360 00
54	O-ring		2	0663 2122 00
55(56-62)	Silencer, complete		1	3115 2486 80
56	Clamp		2	0347 6119 00
57	O-ring		1	0663 2100 36
58	Silencer, upper part		1	3115 2486 00
59	Clamp		1	0347 6122 00
60	O-ring		1	0663 2100 37
61	Silencer, lower part		1	3115 1428 00
62	O-ring		1	0663 2100 35
63	Tension pin		1	0108 3330 00
64	Outlet valve		1	3115 0576 00
65	Spring		1	3121 0338 00
66	O-ring		1	0663 2125 00
67	Lever for extra blowing		1	3115 0577 00
68	Screw		1	3115 0127 00
69	Noise level label		1	-
70	Data plate		1	-
71	Safety label		1	3310 1602 00

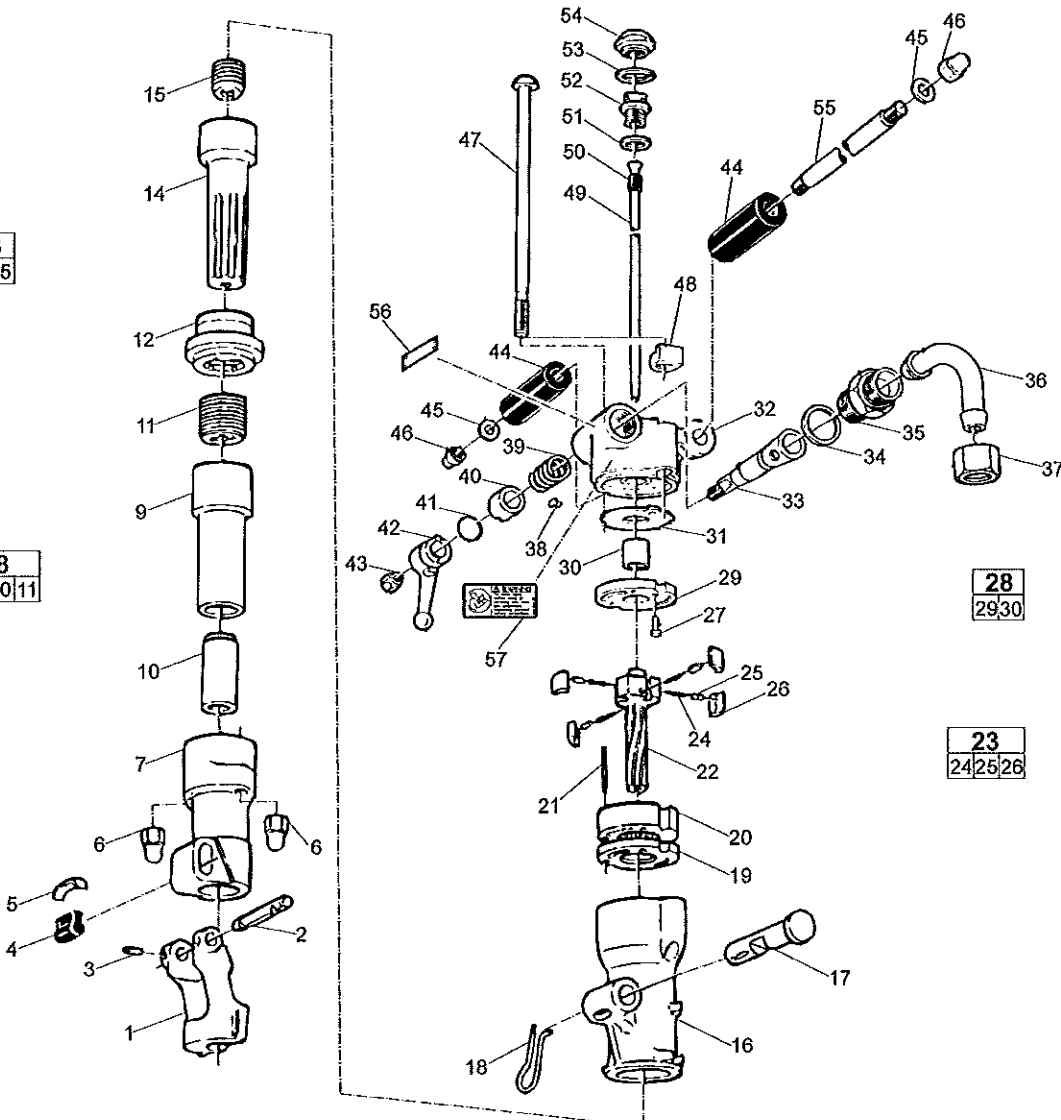
RH 658 L-01

13
14|15

8
9|10|11

28
29|30

23
24|25|26



CROWDER SUPPLY CO INC * 8495 Roslyn St., Commerce City, CO 80022 * 303.433.5144 FAX: 303.433.3928 TOLL FREE: 888.883.5144 * WWW.CROWDERSUPPLY.COM

No.	Description	Remark	Quantity	Part number
1	Drill steel retainer	Hexagon 25 mm Hexagon 1 in.	1	3121 0888 00
2	Retainer pin		1	3121 0852 00
3	Tension pin		2	0108 3392 00
4	Rubber buffer		1	3121 0030 00
5	Buffer plate		1	3121 0029 00
6	Dome nut		2	3121 0292 00
7	Front head		1	3121 0342 00
8(9-11)	Rotation chuck, complete		1	3121 0769 83
9	Rotation chuck		1	-
10	Rotation chuck bushing	Hexagon 25 x 108 mm Hexagon 1 x 4¼ in.	1	3115 1748 00
11	Chuck nut		1	3115 1221 00
12	Intermediate part		1	3121 0339 00
13(14-15)	Piston, complete		1	3100 8478 80
14	Piston		1	-
15	Rifle nut		1	3100 9299 05
16	Cylinder		1	3121 0337 00
17	Outlet valve		1	3115 1778 00
18	Lever for extra blowing		1	3115 1779 00
19	Guide disc		1	3106 8683 00
20	Ratchet box		1	3106 8682 00
21	Tension pin	Ø 6 x 60 mm Ø 0.24 x 2.36 in.	1	0108 1336 00
22	Rifle bar		1	3101 3154 00
23(24-26)	Pawl, complete		1	3115 9200 90
24	Pressure spring		4	3100 9140 02
25	Plunger		4	3100 9641 01
26	Pawl		4	3101 3159 00
27	Guide pin		1	3100 9665 00
28(29-30)	Cover, complete		1	3106 8680 80
29	Cover		1	-
30	Bushing		1	3100 9894 01
31	Main valve		1	3106 8681 00
32	Back head		1	3115 0569 00
33	Throttle valve		1	3121 0349 00
34	Washer		1	3115 1045 00
35	Adapter		1	9000 0345 00
36	Hose nipple	Ø 19 mm Ø ¾ in.	1	3115 1170 00
37	Cap nut		1	9000 0333 00
38	Pin		1	3121 0329 00
39	Coil spring		1	3121 5000 51
40	Lock washer		1	3121 0332 00
41	O-ring		1	0663 2128 00
42	Throttle lever		1	3115 0573 00
43	Nut		1	3008 8734 00
44	Handle grip		2	3101 1372 00
45	Washer		2	3000 0119 01
46	Dome nut		2	3121 0292 00
47	Side bolt		2	3121 0343 00
48	Washer		2	3115 0574 00
49	Air flushing tube		1	3121 0352 00
50	Packing		1	3121 0336 00

No.	Description	Remark	Quantity	Part number
51	Sealing washer		1	3000 9341 02
52	Adapter		1	3100 9623 01
53	Sealing washer		1	3101 4146 00
54	Protective nut		1	3100 9643 01
55	Handle bolt		1	3121 0360 00
56	Data plate		1	-
57	Safety label		1	3310 1602 00

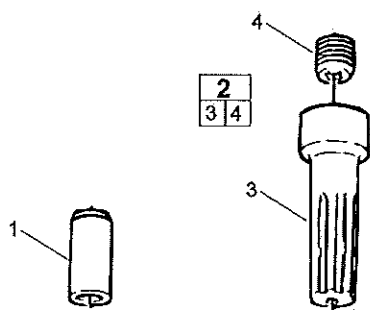
Accessories

Accessories

Description	Remark	Quantity	Part number
Gauge	Hexagon 22 mm Hexagon 7/8 in. Optional for RH 658 L and RH 658 LS.	1	9238 2707 90
Lubricator			
BLG 30, European type	For mineral oil.	1	8202 5102 05
CLG 30, European type	For both mineral and synthetic oil.	1	3128 2560 20
Water separator			
VAM 5A, European type	Airflow <120 l/s <254 cfm	1	8092 0110 83
Air line accessories			
Rubber hose, pre-mounted	20 mm 3/4 in.	1	9030 2047 00
X-LITE flat hose, universal	20 mm 3/4 in.	1	9030 2115 00

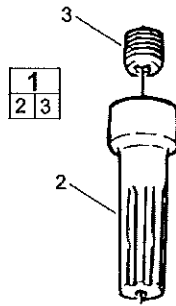
Oversize parts

RH 658 L, RH 658 LS



No.	Description	Remark	Quantity	Part number
1	Rotation chuck bushing	Hexagon 22 x 108 mm + 0.025 mm 7/8 in. x 4 1/4 in. + 0.001 in.	1	3121 0023 01
2(3-4)	Piston, complete	+ 0.03 mm + 0.001 in.	1	3100 8478 81
3	Piston		1	-
4	Rifle nut		1	3100 9299 05

RH 658 L-01



No.	Description	Remark	Quantity	Part number
1(2-3)	Piston, complete	+ 0.03 mm + 0.001 in.	1	3100 8478 81
2	Piston		1	-
3	Rifle nut		1	3100 9299 05

Rock drill AIR-OIL

Description	Remark	Quantity	Part number
Rock drill AIR-OIL	1 l 0.22 gallon	1	8099 0201 01
Rock drill AIR-OIL	1 l 0.22 gallon	12	8099 0201 81
Rock drill AIR-OIL	4 l 0.88 gallon	1	8099 0201 04
Rock drill AIR-OIL	4 l 0.88 gallon	4	8099 0201 84
Rock drill AIR-OIL	10 l 2.2 gallon	1	8099 0201 10