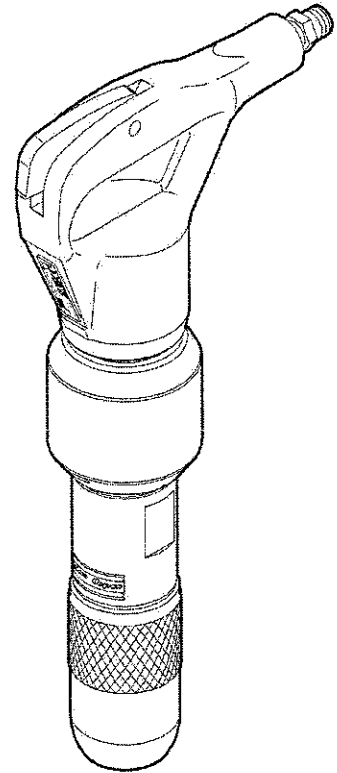


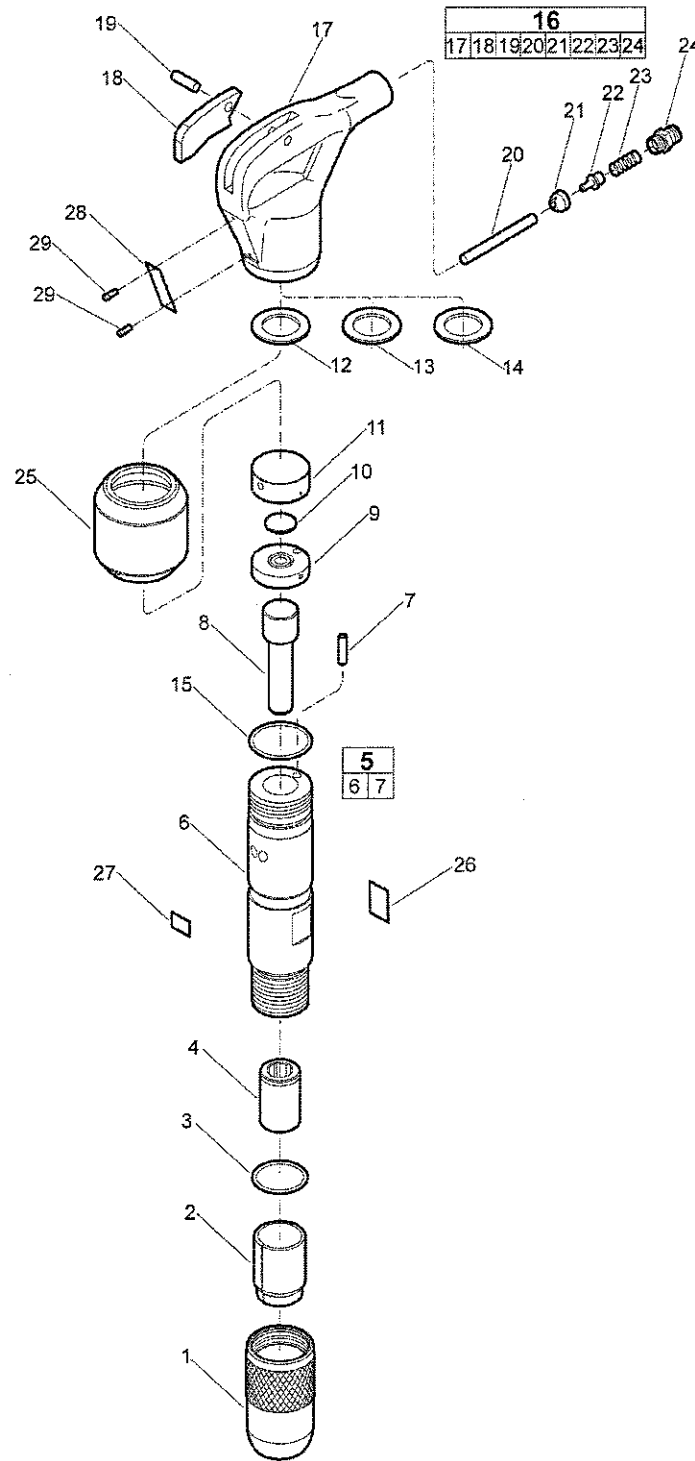
Spare parts list

Handheld pneumatic chipping hammers



Spare parts list

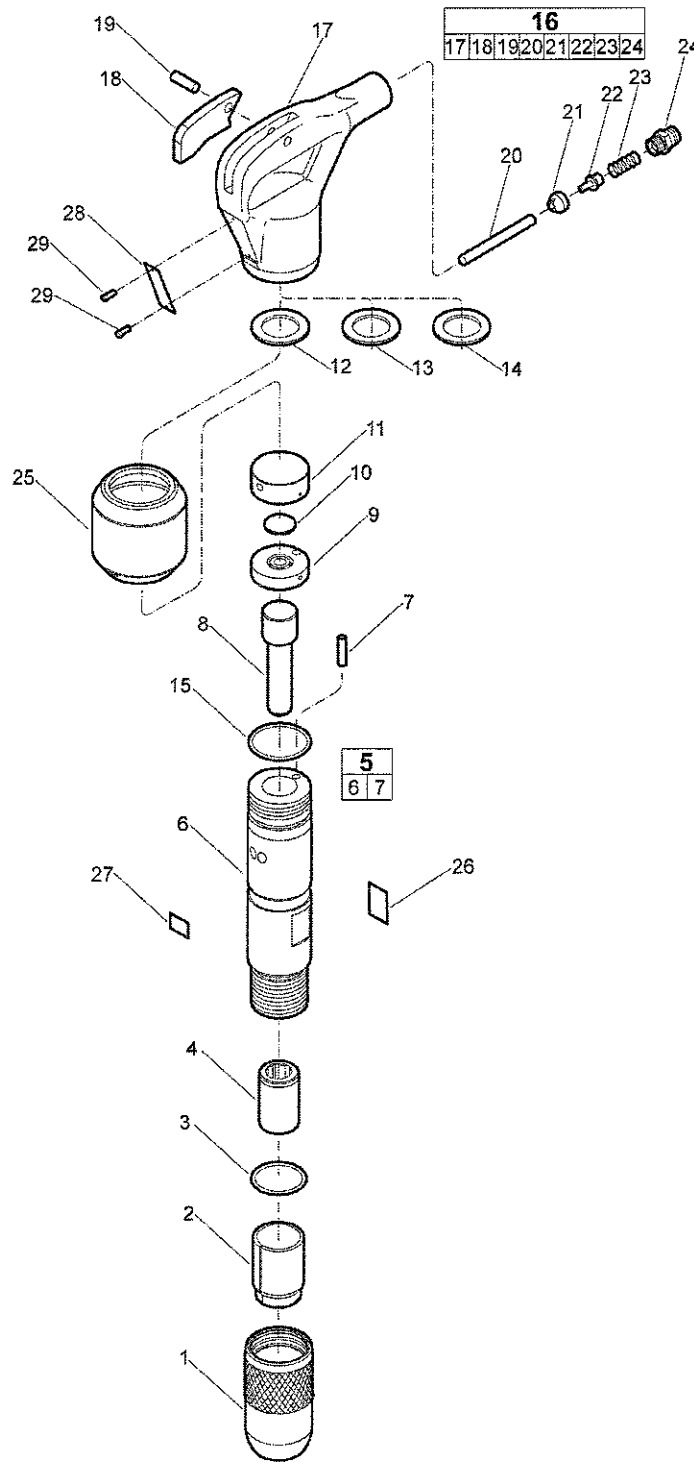
TEX 05P Hex 19x50



No.	Description	Remark	Quantity	Part Number
1	Cap		1	3310 1182 00
2	Buffer		1	3310 0936 00
3	O-ring	ø39.2x3 mm, Included in Repair kit 3310 1208 90	1	-
4	Chuck	Hex 19x50 mm	1	3310 1183 00
5(6-7)	Cylinder kit		1	3310 1177 90
6	Cylinder		1	3310 1177 00
7	Pipe	Included in Repair kit 3310 1208 90	1	-
8	Piston		1	3310 1178 00
9	Cover		1	3310 1179 00
10	Main valve		1	3310 1181 00
11	Valve housing		1	3310 1180 00
12	Washer	0.7 mm	1	3310 1189 02
13	Washer	1.0 mm	1	3310 1189 04
14	Washer	1.3 mm	1	3310 1189 06
15	O-ring	ø44.2x3 mm, Included in Repair kit 3310 1208 90	1	-
16(17-24)	Backhead complete		1	3310 1176 80
17	Backhead		1	-
18	Trigger		1	3310 1129 00
19	Spring pin	ø8x24 mm	1	0108 1355 00
20	Parallel pin	ø8x80 mm	1	0102 0382 00
21	Inlet valve	Included in Repair kit 3310 1208 90	1	-
22	Inlet valve rod		1	3310 1134 00
23	Spring	Included in Repair kit 3310 1208 90	1	-
24	Nipple		1	3310 1185 00
25	Exhaust deflector		1	3310 1204 00
26	Label	Sound power	1	-
27	Label	Atlas Copco	1	-
28	Data plate	TEX 05P	1	-
29	Drive screw	ø2.5x6 mm	2	0244 4144 00

Crowder Supply Co, Inc. 8495 Roslyn St Commerce City, CO 80022 (303) 433-5144 FAX: (303) 433-3928 Toll Free: (888) 883-5144 www.crowdersupply.com

TEX 05P H/R Hex 14.7 - Rd. 17.3x60

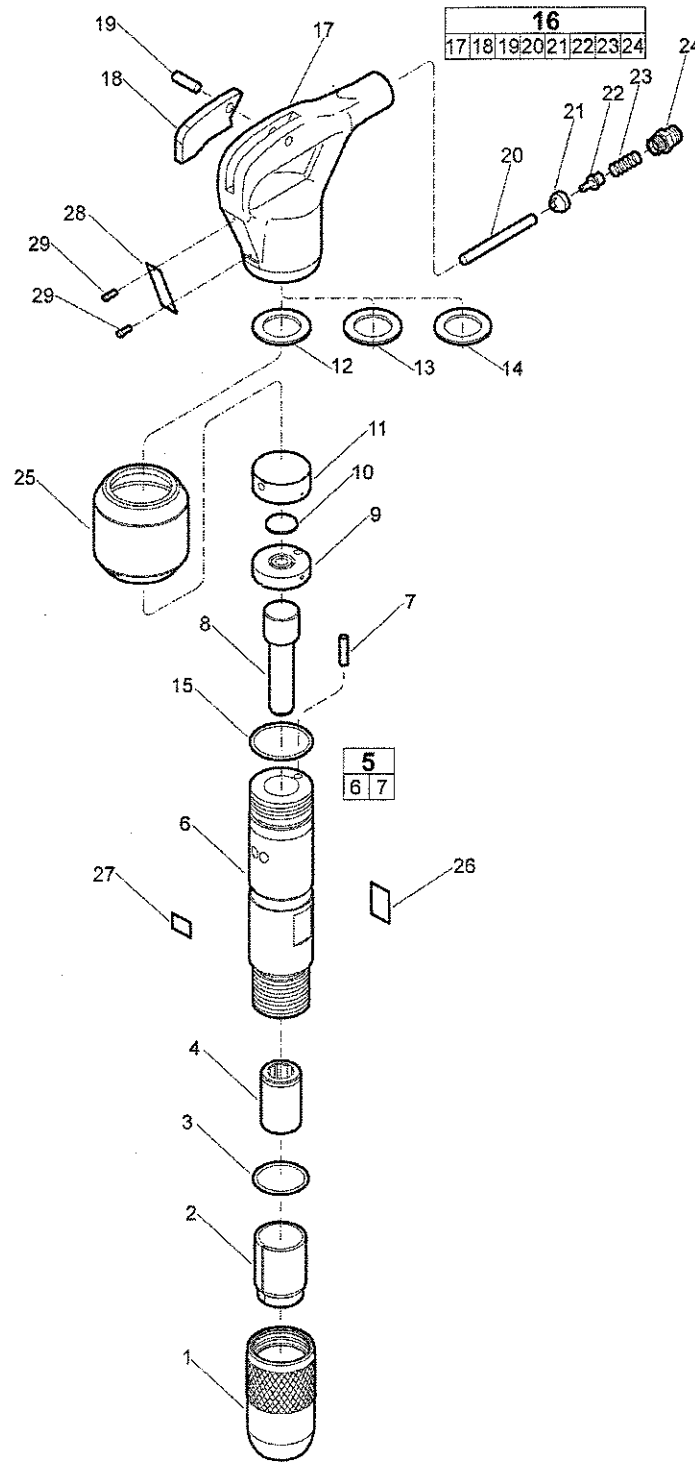


Crowder Supply Co, Inc. 8495 Roslyn St Commerce City, CO 80022 (303) 433-5144 FAX: (303) 433-3928 Toll Free: (888) 883-5144 www.crowdersupply.com

No.	Description	Remark	Quantity	Part Number
1	Cap		1	3310 1182 00
2	Buffer		1	3310 0936 00
3	O-ring	ø39.2x3 mm, Included in Repair kit 3310 1208 90	1	-
4	Chuck	Hex 14.7 - Rd. 17.3x60 mm	1	3310 1184 00
5(6-7)	Cylinder kit		1	3310 1177 90
6	Cylinder		1	3310 1177 00
7	Pipe	Included in Repair kit 3310 1208 90	1	-
8	Piston		1	3310 1178 00
9	Cover		1	3310 1179 00
10	Main valve		1	3310 1181 00
11	Valve housing		1	3310 1180 00
12	Washer	0.7 mm	1	3310 1189 02
13	Washer	1.0 mm	1	3310 1189 04
14	Washer	1.3 mm	1	3310 1189 06
15	O-ring	ø44.2x3 mm, Included in Repair kit 3310 1208 90	1	-
16(17-24)	Backhead complete		1	3310 1176 80
17	Backhead		1	-
18	Trigger		1	3310 1129 00
19	Spring pin	ø8x24 mm	1	0108 1355 00
20	Parallel pin	ø8x80 mm	1	0102 0382 00
21	Inlet valve	Included in Repair kit 3310 1208 90	1	-
22	Inlet valve rod		1	3310 1134 00
23	Spring	Included in Repair kit 3310 1208 90	1	-
24	Nipple		1	3310 1185 00
25	Exhaust deflector		1	3310 1204 00
26	Label	Sound power	1	-
27	Label	Atlas Copco	1	-
28	Data plate	TEX 05P	1	-
29	Drive screw	ø2.5x6 mm	2	0244 4144 00

Crowder Supply Co, Inc. 8495 Roslyn St Commerce City, CO 80022 (303) 433-5144 FAX: (303) 433-3928 Toll Free: (888) 883-5144 www.crowdersupply.com

TEX 05P R Rd. 17.3x60



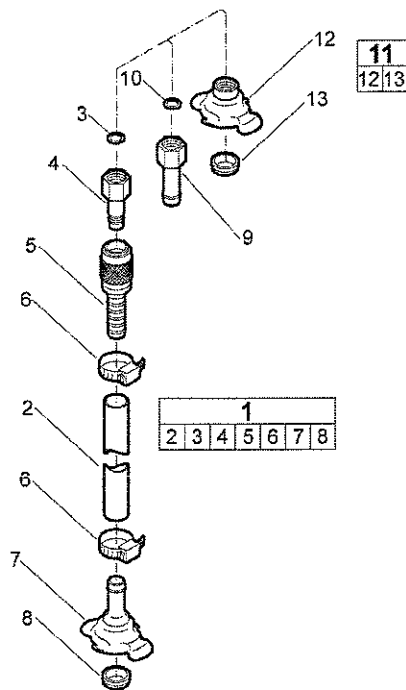
Crowder Supply Co, Inc. 8495 Roslyn St Commerce City, CO 80022 (303) 433-5144 FAX: (303) 433-3928 Toll Free: (888) 883-5144 www.crowdersupply.com

No.	Description	Remark	Quantity	Part Number
1	Cap		1	3310 1182 00
2	Buffer		1	3310 0936 00
3	O-ring	ø39.2x3 mm, Included in Repair kit 3310 1208 90	1	-
4	Chuck	Rd. 17.3x60 mm	1	3310 1225 00
5(6-7)	Cylinder kit		1	3310 1177 90
6	Cylinder		1	3310 1177 00
7	Pipe	Included in Repair kit 3310 1208 90	1	-
8	Piston		1	3310 1178 00
9	Cover		1	3310 1179 00
10	Main valve		1	3310 1181 00
11	Valve housing		1	3310 1180 00
12	Washer	0.7 mm	1	3310 1189 02
13	Washer	1.0 mm	1	3310 1189 04
14	Washer	1.3 mm	1	3310 1189 06
15	O-ring	ø44.2x3 mm, Included in Repair kit 3310 1208 90	1	-
16(17-24)	Backhead complete		1	3310 1176 80
17	Backhead		1	-
18	Trigger		1	3310 1129 00
19	Spring pin	ø8x24 mm	1	0108 1355 00
20	Parallel pin	ø8x80 mm	1	0102 0382 00
21	Inlet valve	Included in Repair kit 3310 1208 90	1	-
22	Inlet valve rod		1	3310 1134 00
23	Spring	Included in Repair kit 3310 1208 90	1	-
24	Nipple		1	3310 1185 00
25	Exhaust deflector		1	3310 1204 00
26	Label	Sound power	1	-
27	Label	Atlas Copco	1	-
28	Data plate	TEX 05P	1	-
29	Drive screw	ø2.5x6 mm	2	0244 4144 00

Crowder Supply Co, Inc. 8495 Roslyn St Commerce City, CO 80022 (303) 433-5144 FAX: (303) 433-3928 Toll Free: (888) 883-5144 www.crowdersupply.com

Accessories

Optional equipment



No.	Description	Remark	Quantity	Part Number
1(2-8)	Short length hose, complete	ø12.5x3000 mm	1	9030 2043 00
2	Hose		1	-
3	Seal washer		1	0661 1000 27
4	Nipple		1	8202 1252 10
5	Quick coupling		1	8202 1304 18
6	Hose clamp	ø16-22 mm	2	0347 6105 00
7	Claw coupling		1	9000 0310 00
8	Packing		1	9000 0000 00
9	Hose nipple		1	3310 0937 00
10	Seal washer		1	0661 1000 27
11(12-13)	Claw coupling, complete	G ½A	1	9000 0305 00
12	Claw coupling		1	-
13	Packing		1	9000 0000 00

Crowder Supply Co, Inc. 8495 Roslyn St Commerce City, CO 80022 (303) 433-5144 FAX: (303) 433-3928 Toll Free: (888) 883-5144 www.crowdersupply.com

Kits

Complete kit

Description	Dimensions	Quantity	Part number
Complete kit		1	8461 0219 02
Chipping hammer		1	8461 0219 00
Short length hose complete		1	9030 2043 00
Molt point	Hex 19x50 mm (¾"x2")	1	3083 3220 00
Narrow chisel	Hex 19x50 mm (¾"x2")	1	3083 3222 00
Air oil bottle	0.2 l	1	8099 0202 40
Storage box		1	3310 1206 00

Repair kit

Description	Dimensions	Quantity	Part number
Repair kit		1	3310 1208 90
Spring		1	-
Inlet valve		1	-
O-ring	ø39.2x3 mm	1	-
Pipe		1	-
O-ring	ø44.2x3 mm	1	-

Crowder Supply Co, Inc. 8495 Roslyn St Commerce City, CO 80022 (303) 433-3928 FAX: (303) 433-5144 (303) 433-3928 Toll Free: (888) 883-5144 www.crowdersupply.com