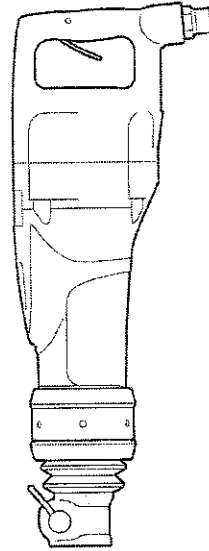


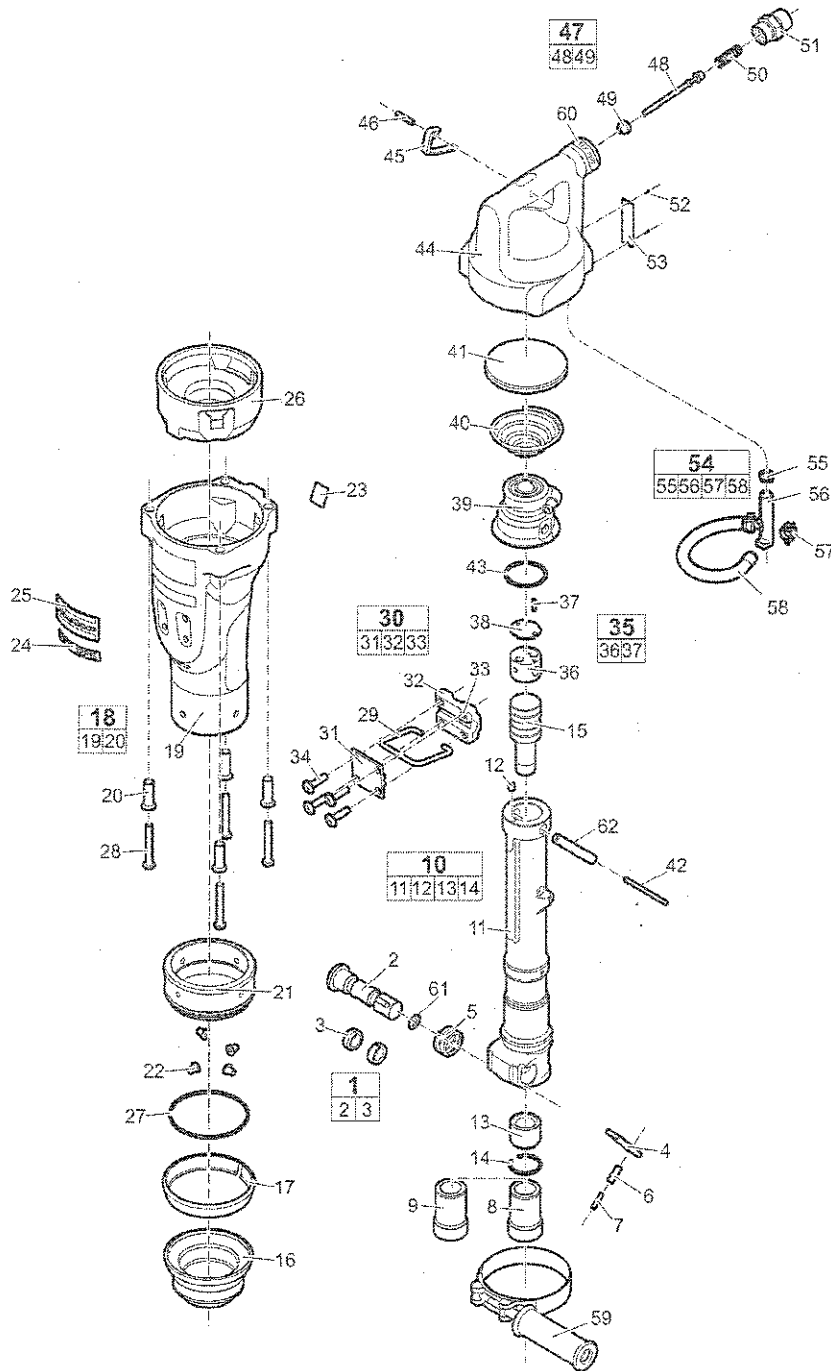
Spare parts list

Handheld pneumatic pick hammers



Spare parts list

TEX 09PE



Crowder Supply Co, Inc. 8495 Roslyn St Commerce City, CO 80022 (303) 433-5144 FAX: (303) 433-5144 Toll Free: (888) 883-5144 www.crowdersupply.com

No.	Description	Remark	Quantity	Part number
1(2-3)	Tool retainer, complete		1	3310 1413 80
2	Tool retainer		1	-
3	Bush		2	3310 1414 00
4	Lever		1	3310 1415 00
5	Spring		1	3310 1486 00
6	Spring pin		1	0108 1103 16
7	Spring pin		1	0108 1103 17
8	Chuck, hexagon	For TEX 09PE hexagon 22 x 82.5	1	3310 1316 00
9	Chuck, round	For TEX 09PE round 25 x 75	1	3310 1317 00
10(11-14)	Cylinder, complete		1	3310 1400 80
11	Cylinder		1	-
12	Plug		1	3310 1473 00
13	Intermediate part		1	3310 0870 00
14	Lock ring		1	3310 0871 00
15	Piston		1	3310 1398 00
16	Bellow		1	3310 1412 00
17	Clamping ring		1	3310 1407 00
18(19-20)	Silencer, complete		1	3310 1404 80
19	Silencer		1	-
20	Bush		4	3310 1555 00
21	Ring		1	3310 1406 00
22	Hexagon socket screw		4	0215 0006 35
23	Sound label		1	-
24	Label		1	3310 1553 01
25	Label		1	0690 1101 02
26	Buffer ring		1	3310 1592 00
27	O-ring		1	0663 6143 00
28	Hexagon socket screw	MC6S 8 x 60 8.8	4	0211 1102 24
29	Link arm		1	3310 1409 00
30(31-33)	Bearing, complete		1	3310 1410 80
31	Upper plate		1	-
32	Lower plate		1	-
33	Thread insert		4	-
34	Hexagon socket screw		4	0215 0006 36
35(36-37)	Cover, complet		1	3310 1386 80
36	Cover		1	-
37	Pin		1	0102 0242 00
38	Main valve		1	3310 1394 00
39	Valve house		1	3310 1447 80
40	Conical spring		1	3310 1445 00
41	Spring seat		1	3310 1545 00
42	Pin		1	3310 1599 00
43	O-ring		1	0663 2111 69
44	Back head		1	3310 1425 00
45	Trigger		1	3310 1421 00
46	Spiral pin		1	0108 3328 00
47(48-49)	Valve stem, complete		1	3310 1281 80
48	Valve stem		1	-
49	Inlet valve		1	3310 1135 00
50	Spring		1	3310 1130 00
51	Nipple		1	3310 1131 01
52	Screw		2	0244 4144 00
53	Data plate		1	-

Crowder Supply Co, Inc. 8495 Roslyn St Commerce City, CO 80022 (303) 433-5144 FAX: (303) 433-3928 Toll Free: (888) 883-5144 www.crowdersupply.com

No.	Description	Remark	Quantity	Part number
54(55-58)	Hose, complete		1	3310 1554 90
55	Seal		1	3310 1556 00
56	Nipple		1	-
57	Hose clip		2	0347 0102 02
58	Hose		1	-
59	Handle		1	3310 1557 80
60	Label		1	3310 1553 03
61	Label		1	8915 0021 43
62	Bushing		1	3310 1575 00