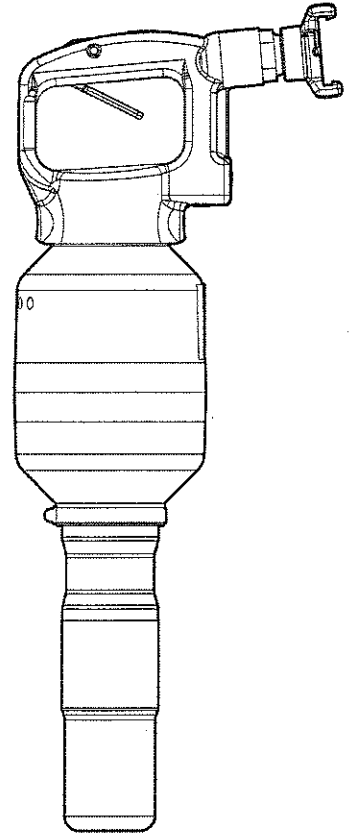


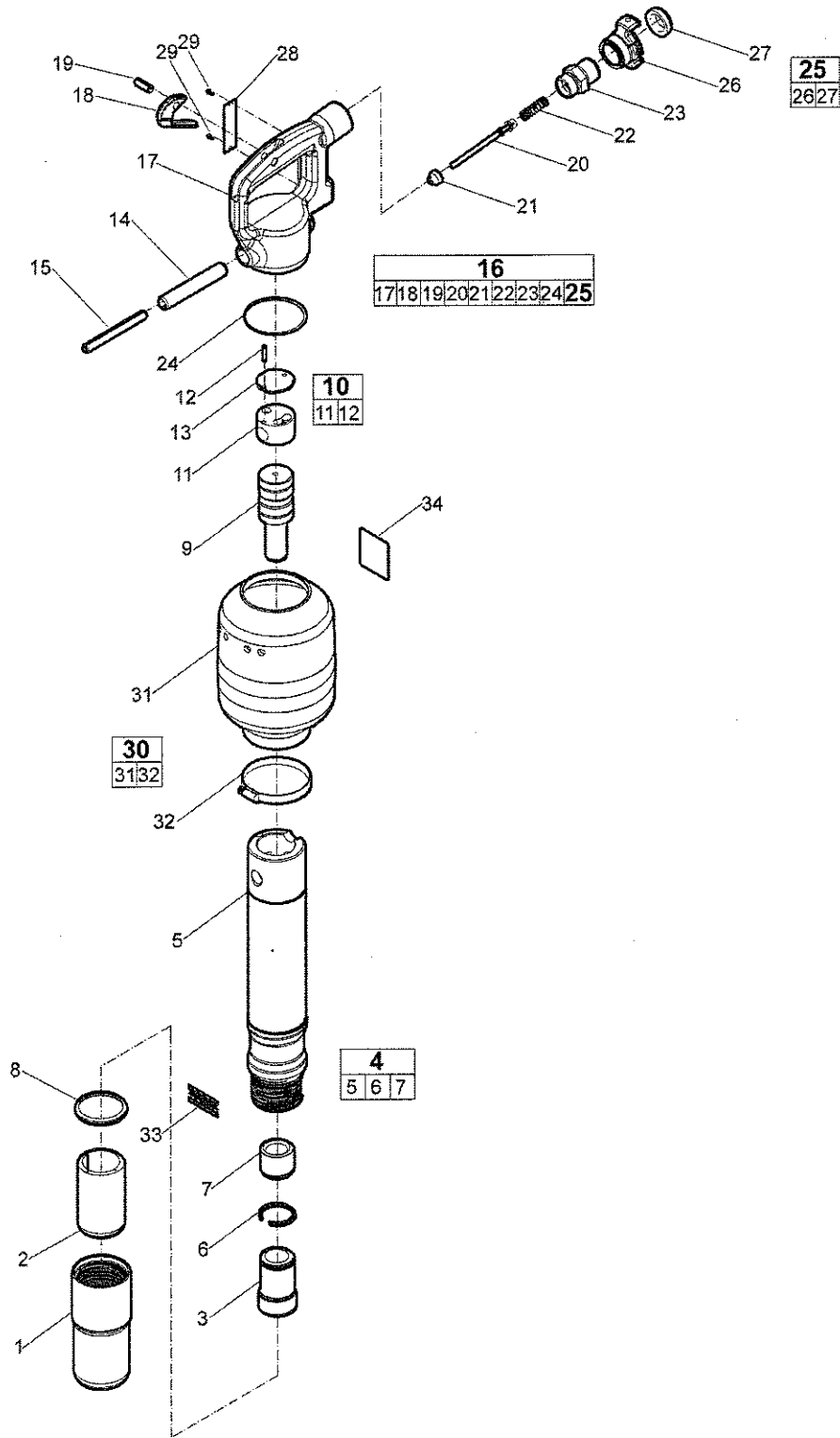
Spare parts list

Handheld pneumatic pick hammers



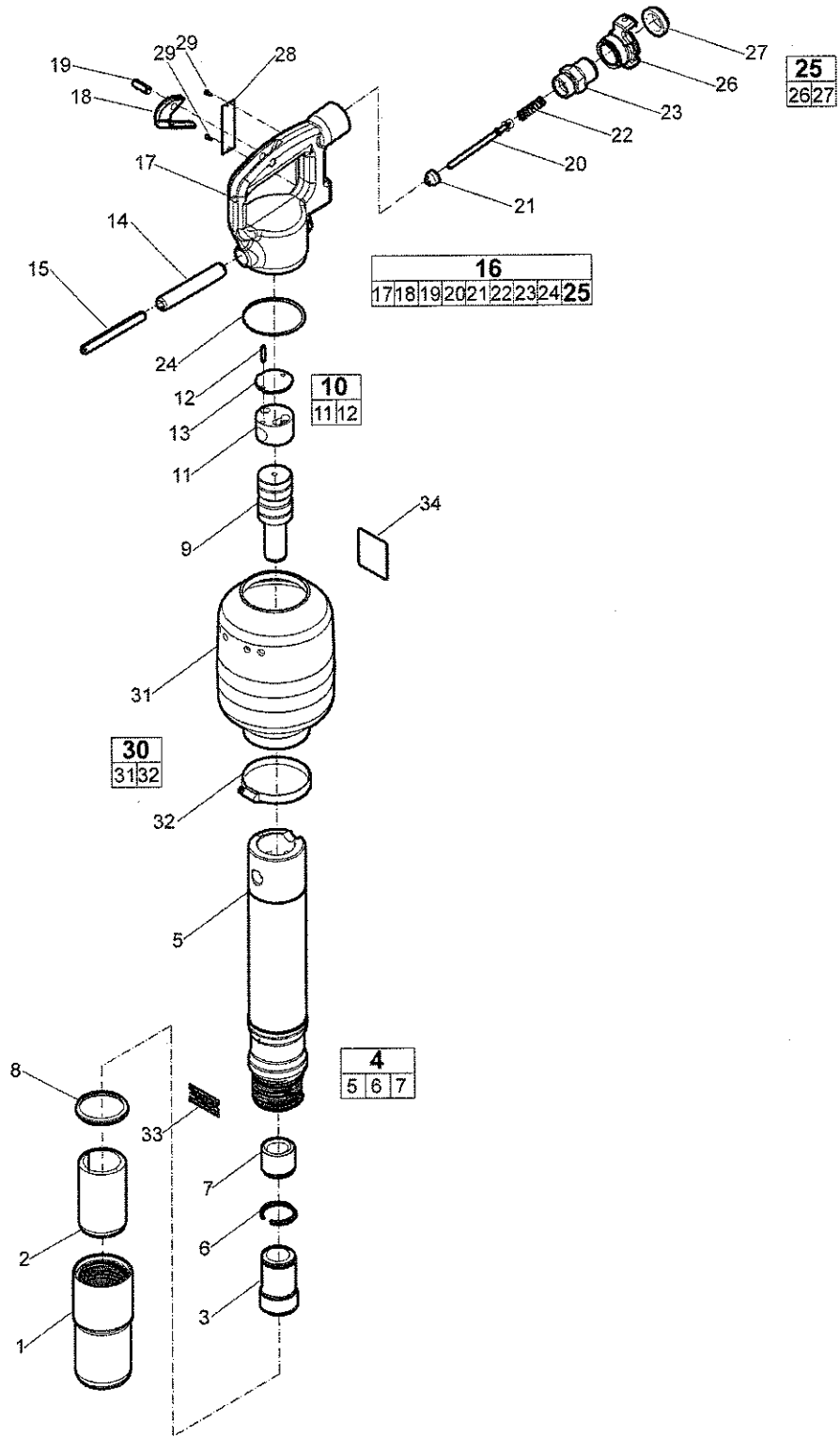
Spare parts list

TEX 12PS Hex 22x82.5



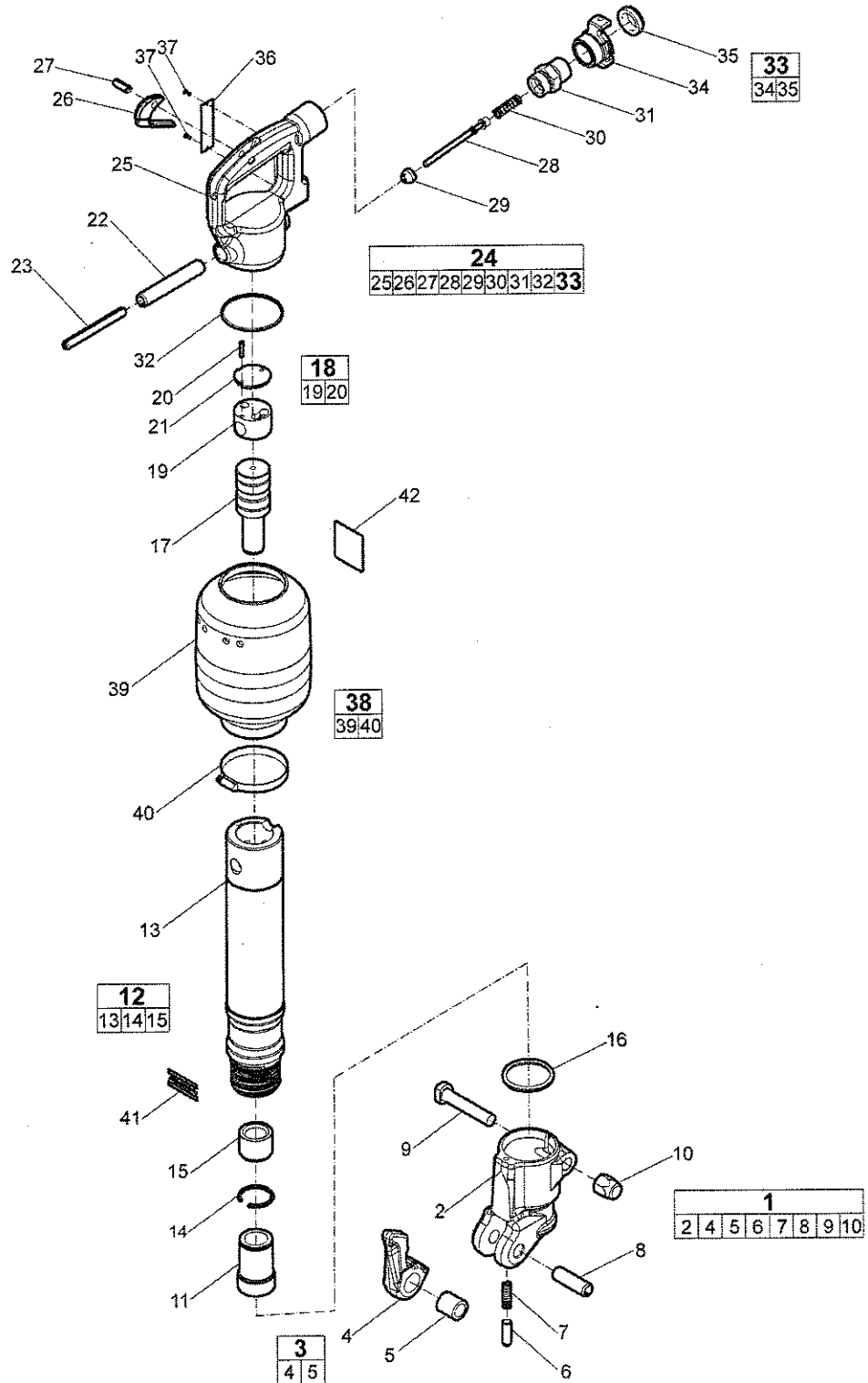
No.	Description	Remark	Quantity	Part Number
1	Cap		1	3310 1137 00
2	Buffer, red	Hex shank Hex body	1	3310 0705 00
3	Chuck	Hex 22x82.5	1	3310 1316 00
4(5-7)	Cylinder, complete		1	3310 1282 80
5	Cylinder		1	-
6	Locking ring		1	3310 0871 00
7	Intermediate part		1	3310 0870 00
8	O-ring		1	0663 2137 00
9	Piston		1	3310 1283 00
10(11-12)	Cover, complete		1	3310 1285 80
11	Cover		1	-
12	Grooved pin		1	0106 0951 11
13	Main valve		1	3310 1286 00
14	Spring pin		1	0108 1691 55
15	Spring pin		1	0108 1691 64
16(17-27)	Backhead, complete		1	3310 1287 81
17	Backhead		1	-
18	Trigger		1	3310 1288 00
19	Spring pin		1	0108 1355 00
20	Valve stem		1	3310 1281 00
21	Inlet valve		1	3310 1135 00
22	Spring		1	3310 1130 00
23	Nipple		1	3310 1131 00
24	O-ring		1	0663 6137 00
25(26-27)	Claw coupling, complete	G 3/4"	1	9000 0306 00
26	Claw coupling		1	-
27	Gasket		1	9000 0000 00
28	Data plate		1	-
29	Screw		2	0244 4144 00
30(31-32)	Silencer, complete		1	3310 1284 80
31	Silencer		1	-
32	Clamp		1	0347 6114 00
33	Label	Atlas Copco	1	0690 1101 02
34	Label	Sound power	1	-

TEX 12PSR Rd. 25x75



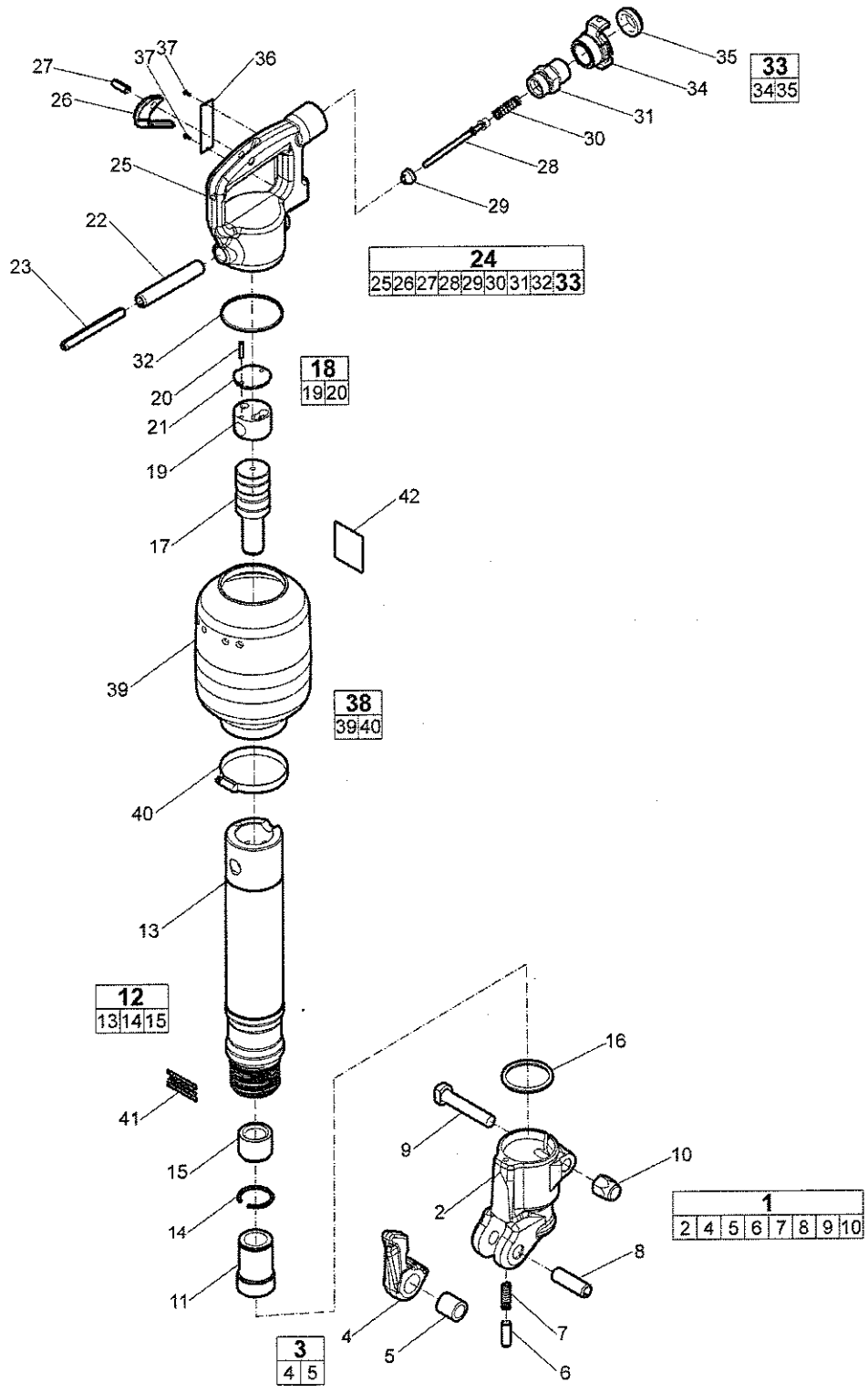
No.	Description	Remark	Quantity	Part Number
1	Cap		1	3310 1137 00
2	Buffer, Yellow	Round shank Round body	1	3310 0417 00
3	Chuck	Rd. 25x75	1	3310 1317 00
4(5-7)	Cylinder, complete		1	3310 1282 80
5	Cylinder		1	-
6	Locking ring		1	3310 0871 00
7	Intermediate part		1	3310 0870 00
8	O-ring		1	0663 2137 00
9	Piston		1	3310 1283 00
10(11-12)	Cover, complete		1	3310 1285 80
11	Cover		1	-
12	Grooved pin		1	0106 0951 11
13	Main valve		1	3310 1286 00
14	Spring pin		1	0108 1691 55
15	Spring pin		1	0108 1691 64
16(17-27)	Backhead, complete		1	3310 1287 81
17	Backhead		1	-
18	Trigger		1	3310 1288 00
19	Spring pin		1	0108 1355 00
20	Valve stem		1	3310 1281 00
21	Inlet valve		1	3310 1135 00
22	Spring		1	3310 1130 00
23	Nipple		1	3310 1131 00
24	O-ring		1	0663 6137 00
25(26-27)	Claw coupling, complete	G 3/4"	1	9000 0306 00
26	Claw coupling		1	-
27	Gasket		1	9000 0000 00
28	Data plate		1	-
29	Screw		2	0244 4144 00
30(31-32)	Silencer, complete		1	3310 1284 80
31	Silencer		1	-
32	Clamp		1	0347 6114 00
33	Label	Atlas Copco	1	0690 1101 02
34	Label	Sound power	1	-

TEX 12PSKL Hex 22x82.5



No.	Description	Remark	Quantity	Part Number
1(2-10)	Fronthead, complete		1	3310 0887 80
2	Fronthead		1	-
3(4-5)	Retainer, complete		1	3310 0890 80
4	Retainer		1	-
5	Bushing		1	3310 0891 00
6	Plunger		1	3310 0893 00
7	Spring		1	3310 0894 00
8	Spring pin	ø16x50	1	0108 1691 05
9	Bolt		1	3310 0384 00
10	Nut		1	3310 0312 00
11	Chuck	Hex 22x82.5	1	3310 1316 00
12(13-15)	Cylinder, complete		1	3310 1282 80
13	Cylinder		1	-
14	Locking ring		1	3310 0871 00
15	Intermediate part		1	3310 0870 00
16	O-ring		1	0663 2137 00
17	Piston		1	3310 1283 00
18(19-20)	Cover, complete		1	3310 1285 80
19	Cover		1	-
20	Grooved pin		1	0106 0951 11
21	Main valve		1	3310 1286 00
22	Spring pin		1	0108 1691 55
23	Spring pin		1	0108 1691 64
24(25-35)	Backhead, complete		1	3310 1287 81
25	Backhead		1	-
26	Trigger		1	3310 1288 00
27	Spring pin		1	0108 1355 00
28	Valve stem		1	3310 1281 00
29	Inlet valve		1	3310 1135 00
30	Spring		1	3310 1130 00
31	Nipple		1	3310 1131 00
32	O-ring		1	0663 6137 00
33(34-35)	Claw coupling, complete	G ¾"	1	9001 0005 06
34	Claw coupling		1	-
35	Gasket		1	9000 0000 00
36	Data plate		1	-
37	Screw		2	0244 4144 00
38(39-40)	Silencer, complete		1	3310 1284 80
39	Silencer		1	-
40	Clamp		1	0347 6114 00
41	Label	Atlas Copco	1	0690 1101 02
42	Label	Sound power	1	-

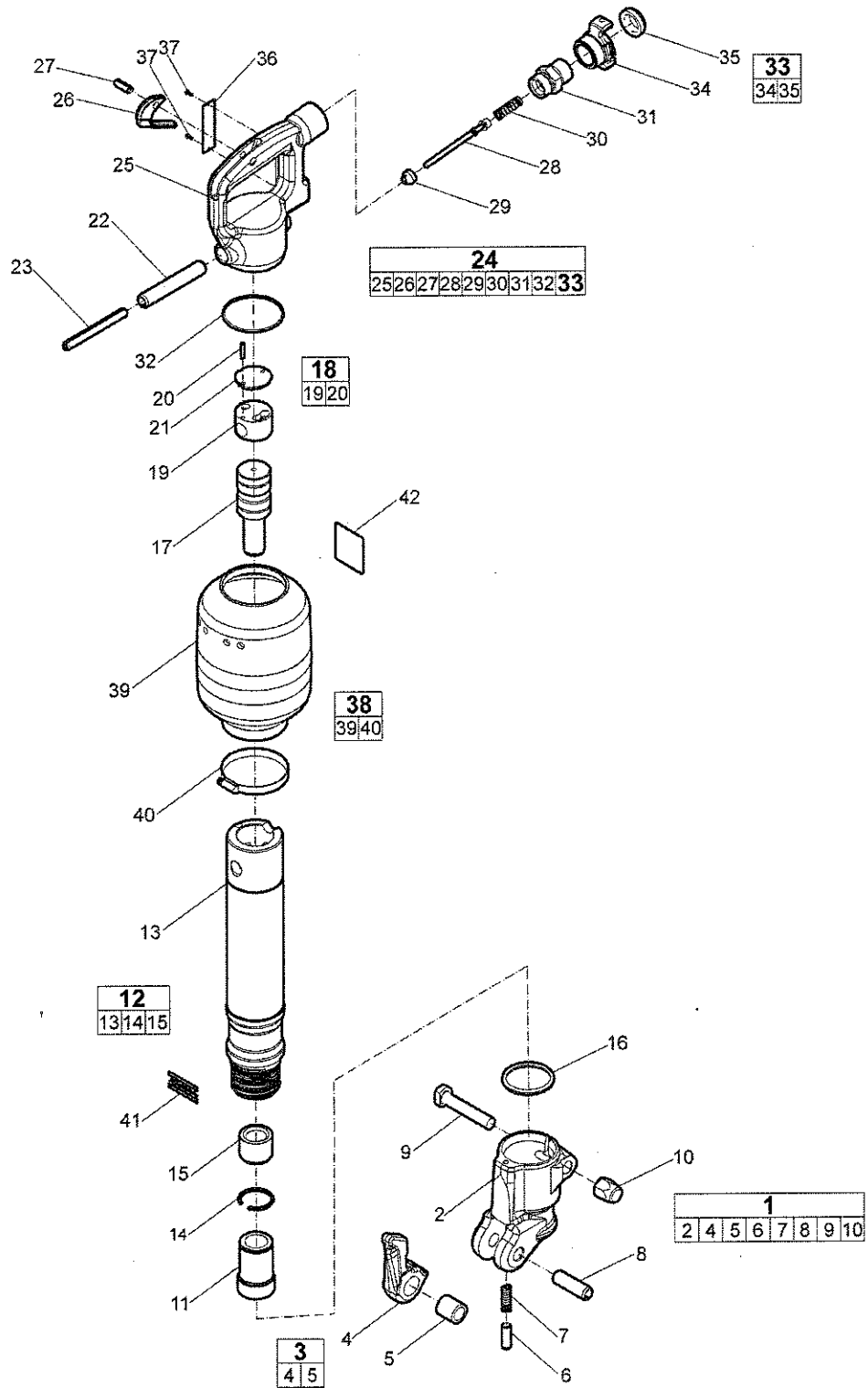
TEX 12PSRKL Rd. 25x75



CROWDER SUPPLY CO., INC. - 8495 ROSLYN ST. - COMMERCE CITY, CO 80022 - TOLL FREE 888-883-5144 - www.crowdersupply.com

No.	Description	Remark	Quantity	Part Number
1(2-10)	Fronthead, complete		1	3310 0887 80
2	Fronthead		1	-
3(4-5)	Retainer, complete		1	3310 0890 80
4	Retainer		1	-
5	Bushing		1	3310 0891 00
6	Plunger		1	3310 0893 00
7	Spring		1	3310 0894 00
8	Spring pin	ø16x50	1	0108 1691 05
9	Bolt		1	3310 0384 00
10	Nut		1	3310 0312 00
11	Chuck	Rd. 25x75	1	3310 1317 00
12(13-15)	Cylinder, complete		1	3310 1282 80
13	Cylinder		1	-
14	Locking ring		1	3310 0871 00
15	Intermediate part		1	3310 0870 00
16	O-ring		1	0663 2137 00
17	Piston		1	3310 1283 00
18(19-20)	Cover, complete		1	3310 1285 80
19	Cover		1	-
20	Grooved pin		1	0108 0951 11
21	Main valve		1	3310 1286 00
22	Spring pin		1	0108 1691 55
23	Spring pin		1	0108 1691 64
24(25-35)	Backhead, complete		1	3310 1287 81
25	Backhead		1	-
26	Trigger		1	3310 1288 00
27	Spring pin		1	0108 1355 00
28	Valve stem		1	3310 1281 00
29	Inlet valve		1	3310 1135 00
30	Spring		1	3310 1130 00
31	Nipple		1	3310 1131 00
32	O-ring		1	0663 6137 00
33(34-35)	Claw coupling, complete	G 3/4"	1	9000 0306 00
34	Claw coupling		1	-
35	Gasket		1	9000 0000 00
36	Data plate		1	-
37	Screw		2	0244 4144 00
38(39-40)	Silencer, complete		1	3310 1284 80
39	Silencer		1	-
40	Clamp		1	0347 6114 00
41	Label	Atlas Copco	1	0690 1101 02
42	Label	Sound power	1	-

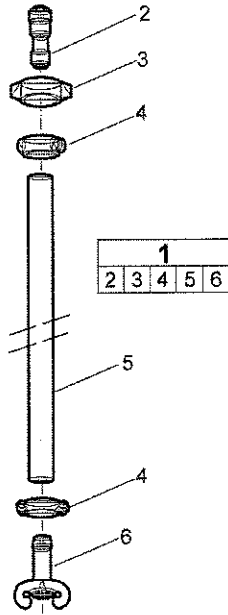
TEX 12PSKL US Hex 22x82.5



No.	Description	Remark	Quantity	Part Number
1(2-10)	Fronthead, complete		1	3310 0887 80
2	Fronthead		1	-
3(4-5)	Retainer, complete		1	3310 0890 80
4	Retainer		1	-
5	Bushing		1	3310 0891 00
6	Plunger		1	3310 0893 00
7	Spring		1	3310 0894 00
8	Spring pin	ø16x50	1	0108 1691 05
9	Bolt		1	3310 0384 00
10	Nut		1	3310 0312 00
11	Chuck	Hex 22x82.5	1	3310 1316 00
12(13-15)	Cylinder, complete		1	3310 1282 80
13	Cylinder		1	-
14	Locking ring		1	3310 0871 00
15	Intermediate part		1	3310 0870 00
16	O-ring		1	0663 2137 00
17	Piston		1	3310 1283 00
18(19-20)	Cover, complete		1	3310 1285 80
19	Cover		1	-
20	Grooved pin		1	0106 0951 11
21	Main valve		1	3310 1286 00
22	Spring pin		1	0108 1691 55
23	Spring pin		1	0108 1691 64
24(25-35)	Backhead, complete		1	3310 1287 82
25	Backhead		1	-
26	Trigger		1	3310 1288 00
27	Spring pin		1	0108 1355 00
28	Valve stem		1	3310 1281 00
29	Inlet valve		1	3310 1135 00
30	Spring		1	3310 1130 00
31	Nipple		1	3310 1131 01
32	O-ring		1	0663 6137 00
33(34-35)	Claw coupling, complete	¾" NPT	1	9001 0005 06
34	Claw coupling		1	-
35	Gasket		1	9000 0000 00
36	Data plate		1	-
37	Screw		2	0244 4144 00
38(39-40)	Silencer, complete		1	3310 1284 80
39	Silencer		1	-
40	Clamp		1	0347 6114 00
41	Label	Atlas Copco	1	0690 1101 02
42	Label	Sound power	1	-

Kits

Air Connection (TEX 12 PS, PSR, PSKL, PSRKL)



No.	Description	Remark	Quantity	Part Number
1(2-6)	Air connection, complete	ø12.5x3000 mm	1	9030 2044 00
2	Connection tube		1	9000 0323 01
3	Nut		1	9000 0337 00
4	Clamp		2	0347 6105 00
5	Air hose	ø12.5x3000 mm	1	9030 2038 01
6	Claw coupling		1	9000 0310 00