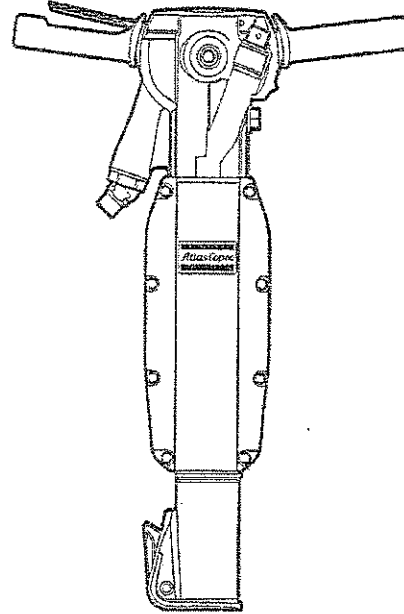


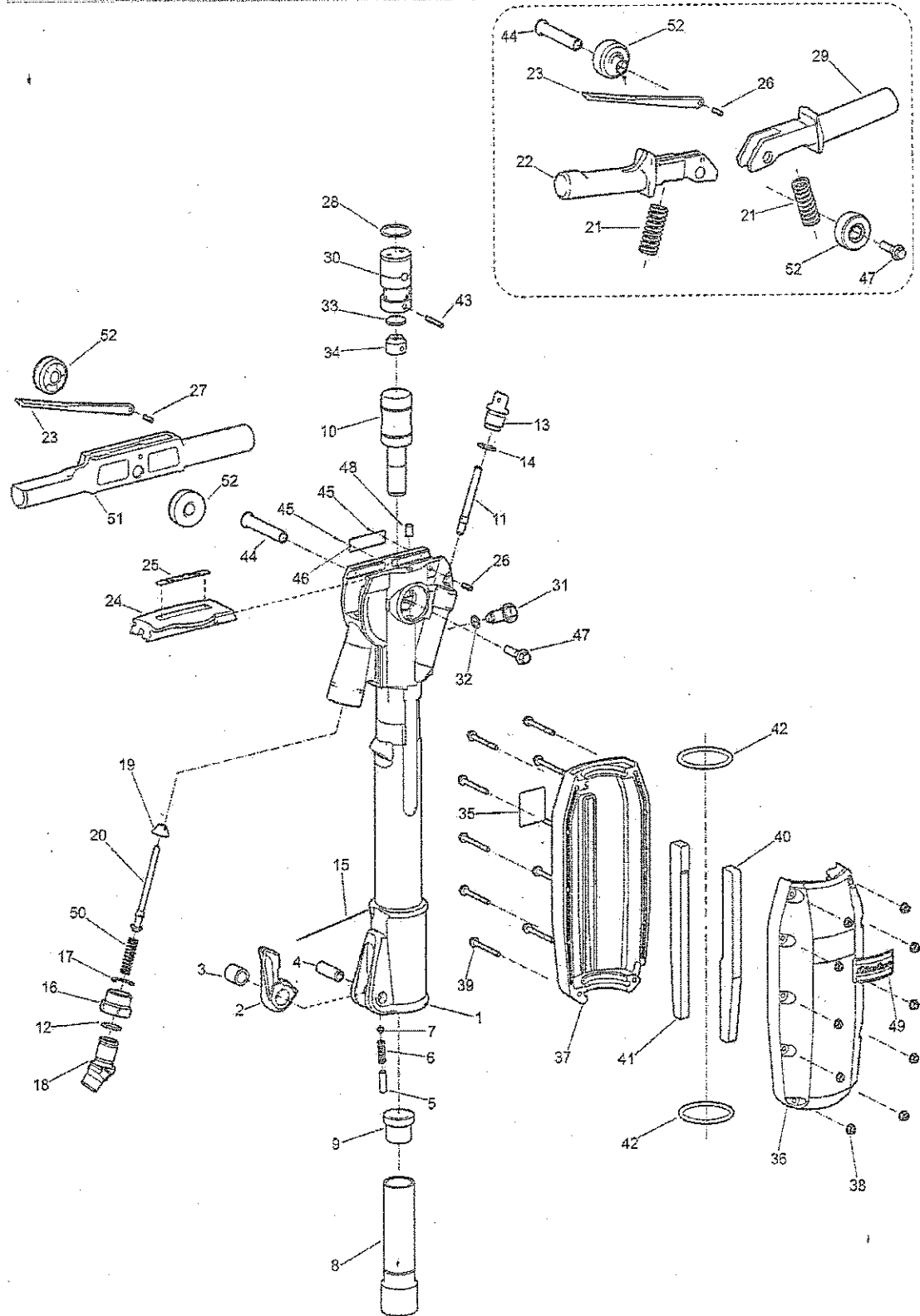
# TEX

180PS 190PE

## Spare parts list Pneumatic breaker



# Spare parts list

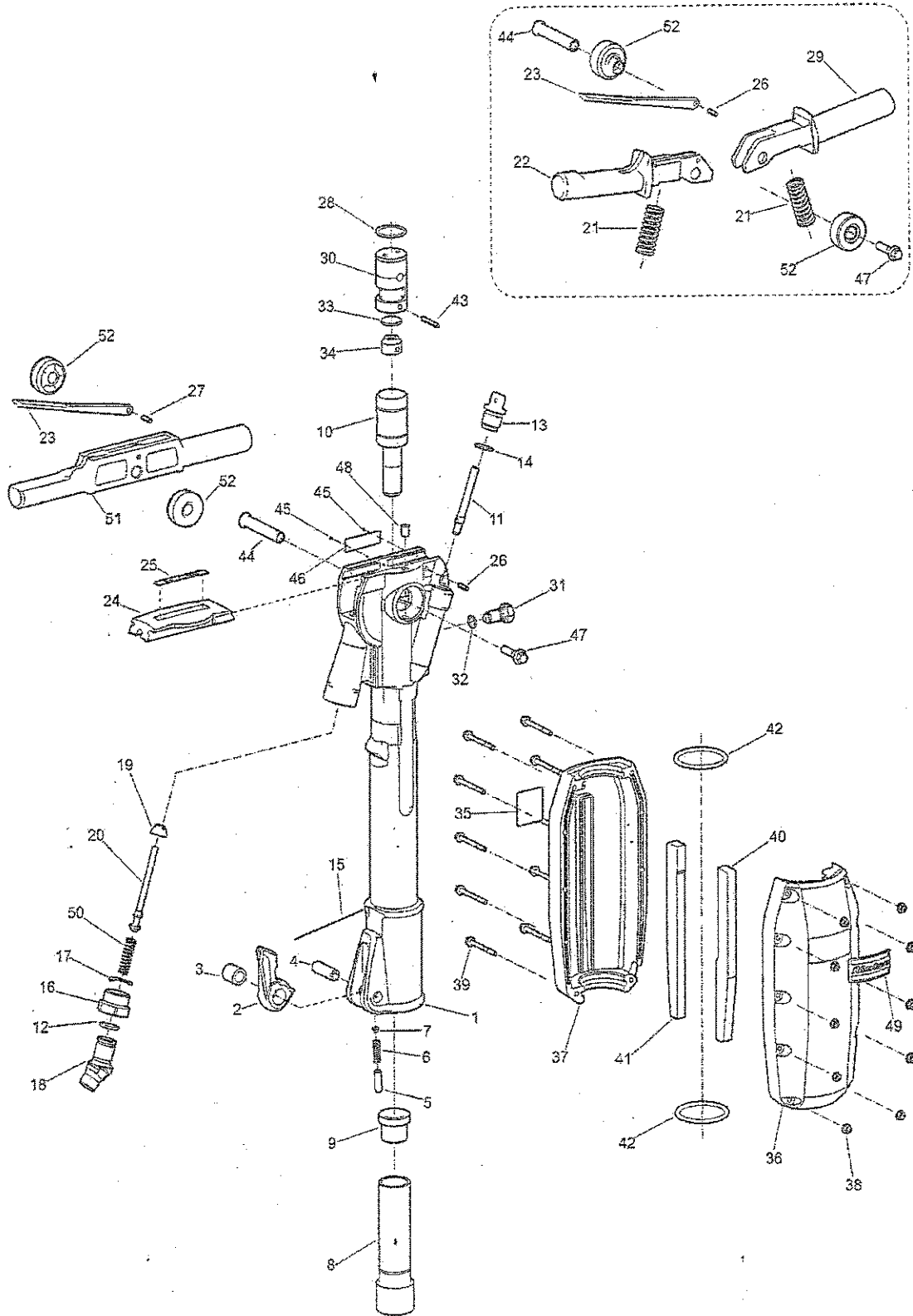


Crowder Supply Co, Inc. 8495 Roslyn St Commerce City, CO 80022 (303) 433-3928 Toll Free: (888) 883-5144 www.crowdersupply.com

Crowder Supply Co, Inc. 8495 Roslyn St Commerce City, CO 80022 (303) 433-5144 FAX: (303) 433-3928 Toll Free: (888) 883-5144 www.crowdersupply.com

No.	Description	Quantity						Ordering No.
		180PS 25x108	180PS 25x108 US	180PS 28x160	190PE 25x108	190PE 25x108 US	190PE 28x160	
1	Cylinder	1	1	1	1	1	-	3310 1531 00
1	Cylinder	-	-	1	-	-	1	3310 1532 00
(2-3)	Tool retainer kit	1	1	1	1	1	1	3310 0890 80
2	Tool retainer	1	1	1	1	1	1	—*)
3	Bushing	1	1	1	1	1	1	3310 0891 00
4	Spring pin	1	1	1	1	1	1	0108 1691 05
5	Plunger	1	1	1	1	1	1	3310 0893 00
6	Spring	1	1	1	1	1	1	3310 0894 00
7	Protection plug	1	1	1	1	1	1	3310 1508 00
8	Tool chuck	1	1	-	1	1	-	3310 1490 00
8	Tool chuck	-	-	1	-	-	1	3310 1498 00
9	Intermediate part	1	1	1	1	1	1	3310 1491 00
10	Piston	1	1	1	1	1	1	3310 1489 00
11	Dosing feeder	1	1	1	1	1	1	3310 1260 00
12	O-ring	1	1	1	1	1	1	0663 2126 00
(13-14)	Oil plug kit	1	1	1	1	1	1	3310 1462 80
13	Oil plug	1	1	1	1	1	1	—*)
14	O-ring	1	1	1	1	1	1	0663 2126 00
15	Lock wire	1	1	1	1	1	1	3310 1534 00
16	Swivel nut	1	1	1	1	1	1	3310 1044 00
17	Lock washer	1	1	1	1	1	1	3310 1059 00
18	Swivel	1	1	1	1	1	1	3310 1536 00
19	Inlet valve	1	1	1	1	1	1	3310 1211 00
20	Valve stem	1	1	1	1	1	1	3310 1492 00
21	Spring	-	-	-	2	2	2	3310 1083 00
22	Handle	-	-	-	1	1	1	3310 1458 80
23	Trigger	1	1	1	1	1	1	3310 1460 80
24	Cover	1	1	1	1	1	1	3310 1478 00
25	Label	-	-	-	1	1	1	3310 1516 05
25	Label	1	1	1	-	-	-	3310 1516 04

\*) Not delivered separately



Crowder Supply Co, Inc. 8495 Roslyn St Commerce City, CO 80022 (303) 433-5144 FAX: (303) 433-3928 Toll Free: (888) 883-5144 www.crowdersupply.com

No.	Description	Quantity						Ordering No.
		180PS 25x108	180PS 25x108 US	180PS 28x160	190PE 25x108	190PE 25x108 US	190PE 28x160	
26	Spring pin	1	1	1	2	2	2	0108 1324 00
27	Pin	1	1	1	-	-	-	0102 0320 00
28	O-ring	1	1	1	1	1	1	0663 2132 00
29	Handle	-	-	-	1	1	1	3310 1459 80
30	Valve housing	1	1	1	1	1	1	3310 1488 00
(31-32)	Screw kit	1	1	1	1	1	1	3310 1476 80
31	Screw	1	1	1	1	1	1	—*)
32	O-ring	1	1	1	1	1	1	0663 2120 00
33	Main valve	1	1	1	1	1	1	3310 1173 00
34	Valve cover	1	1	1	1	1	1	3310 1245 00
35	Sound label	1	1	-	1	1	-	—*)
35	Sound label	-	-	1	-	-	1	—*)
(36-42)	Silencer kit	1	1	-	1	1	-	3310 1512 81
(36-37)	Silencer	1	1	-	1	1	-	3310 1512 00
36	Front	1	1	-	1	1	-	—*)
37	Rear	1	1	-	1	1	-	—*)
38	Flange nut	8	8	-	8	8	-	9232 0207 50
39	Flange screw	8	8	-	8	8	-	0147 3000 32
40	Separation wall	1	1	-	1	1	-	3310 1518 10
41	Separation wall	1	1	-	1	1	-	3310 1518 11
42	O-ring	2	2	-	2	2	-	0663 2114 13
(36-42)	Silencer kit	-	-	1	-	-	1	3310 1477 83
(36-37)	Silencer	-	-	1	-	-	1	3310 1477 00
36	Front	-	-	1	-	-	1	—*)
37	Rear	-	-	1	-	-	1	—*)
38	Flange nut	-	-	10	-	-	10	9232 0207 50
39	Flange screw	-	-	10	-	-	10	0147 3000 32
40	Separation wall	-	-	1	-	-	1	3310 1518 20
41	Separation wall	-	-	1	-	-	1	3310 1518 21
42	O-ring	-	-	2	-	-	2	0663 2114 14
43	Spring pin	1	1	1	1	1	1	0108 1332 00
44	Guide shaft	1	1	1	1	1	1	3310 1479 01
45	Screw	2	2	2	2	2	2	0244 4144 00
46	Data plate	1	1	1	-	-	-	—*)
46	Data plate	-	-	-	1	1	1	—*)
47	Flange screw	1	1	1	1	1	1	0147 3000 18
48	Plug	1	1	1	1	1	1	3310 1090 00
49	Label	1	1	1	1	1	1	0690 1358 00
50	Spring	1	1	1	1	1	1	3310 1537 00
51	Handle	1	1	1	-	-	-	3310 1510 00
52	Buffer	2	2	2	-	-	-	3310 1517 15
52	Buffer	-	-	-	2	2	2	3310 1461 15

\*) Not delivered separately

## Claw couplings

Description	Quantity	Dimensions	Ordering No.
Claw coupling, complete	1	Standard 3/4"	9000 0306 00
Claw coupling	1	—*)	—*)
Seal	1		9000 0000 00
Claw coupling with strainer, complete	1	Standard 3/4"	9000 0306 01
Claw coupling	1	—*)	—*)
Strainer	1		9000 0000 10
Seal	1		9000 0000 00
Claw coupling, complete	1	US-universal 3/4"	9001 0005 06
Claw coupling	1	—*)	—*)
Seal	1		9001 0005 15

\*) Not delivered separately

## Air oil

Description	Dimensions	Ordering No.
Air oil bottle 0,2 l	0,2 l	8099 0202 40
Air oil bottle 1 l	1 l	8099 0202 36
Air oil container 5 l	5 l	8099 0202 02
Air oil container 25 l	25 l	8099 0202 20
Air oil barrel 200 l	200 l	8099 0202 28



## Shank gauge

Description	Dimensions	Ordering No.
Gauge, Hex 25	25 mm (1")	3310 1509 25
Gauge, Hex 28	28 mm (1 1/4")	3310 1509 28

