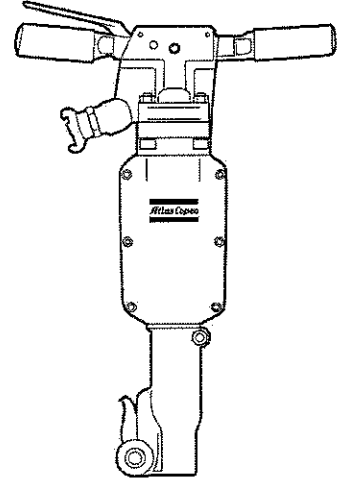
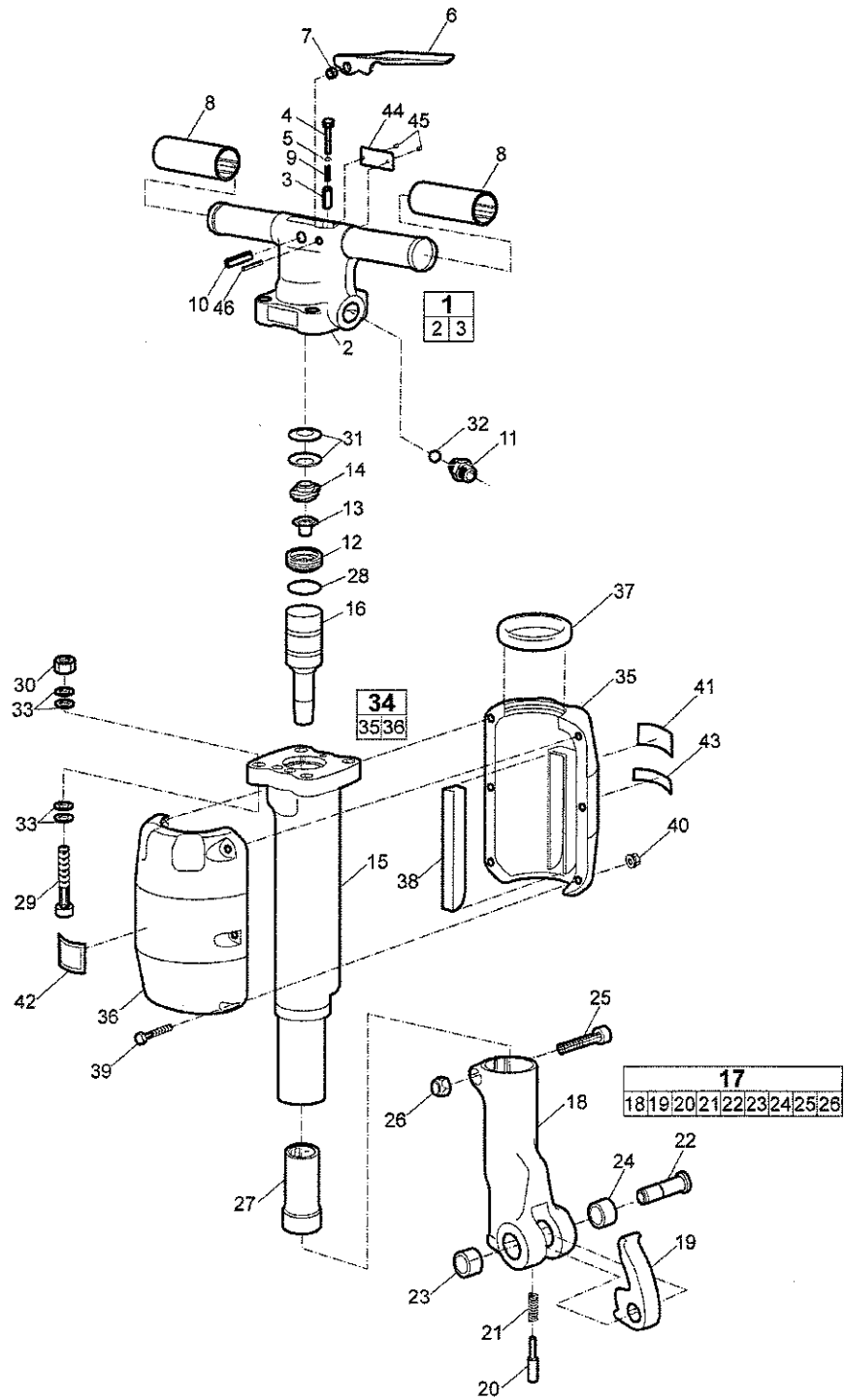


## Spare parts list Handheld pneumatic breakers



# Spare parts list

## TEX 20PS hexagon 25 x 108

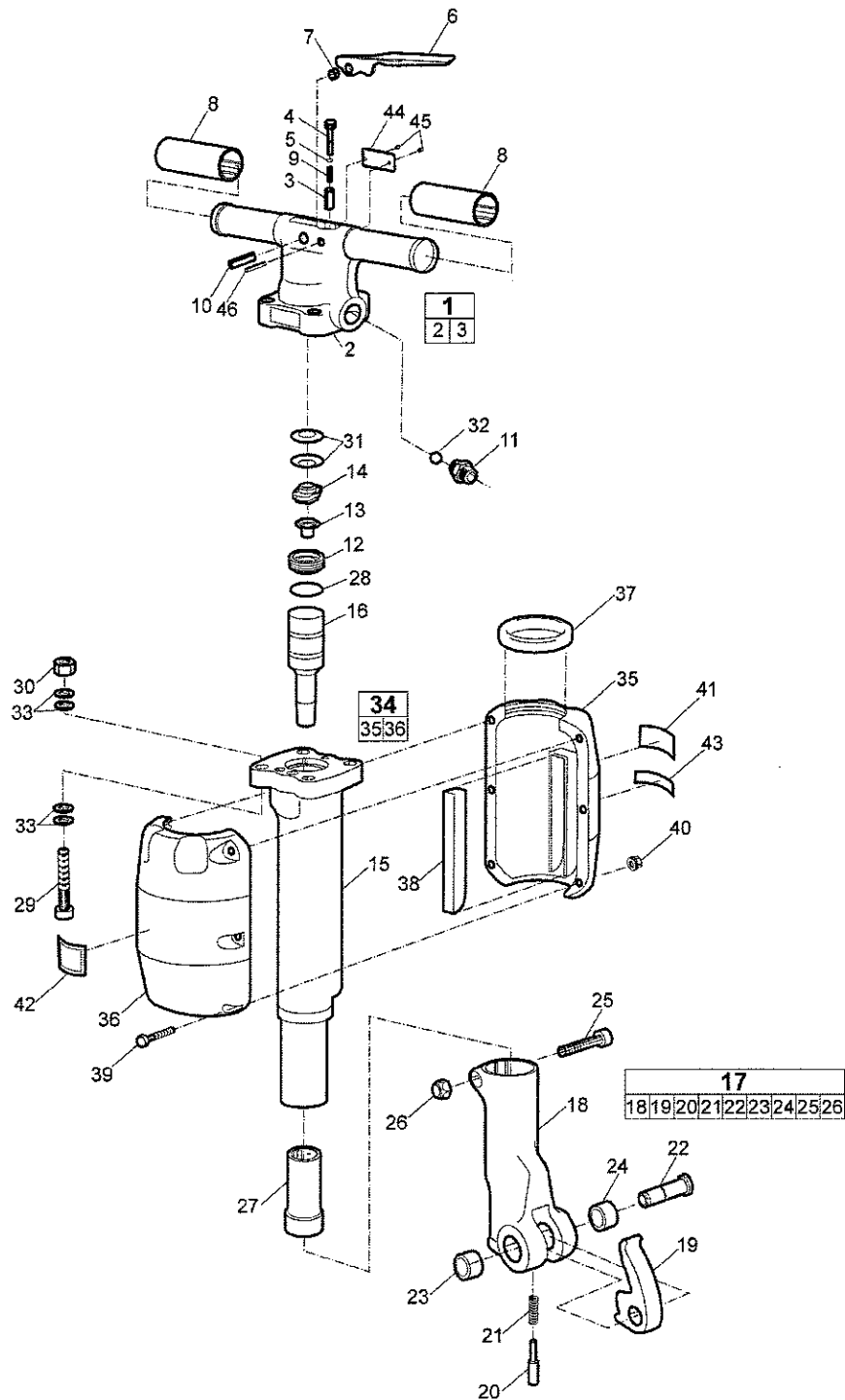


Crowder Supply Co., Inc. 8495 Roslyn St Commerce City, CO 80022 (303) 433-5144 FAX: (303) 433-3928 Toll Free: (888) 883-5144 www.crowdersupply.com

Crowder Supply Co, Inc. 8495 Roslyn St Commerce City, CO 80022 (303) 433-5144 FAX: (303) 433-3928 Toll Free: (888) 883-5144 www.crowdersupply.com

No.	Description	Remark	Quantity	Part number
1(2-3)	Back head, complete		1	3360 0705 88
2	Back head		1	-
3	Bushing		1	3360 4806 38
4	Valve stem		1	3360 1646 45
5	O-ring		1	0663 9136 00
6	Trigger		1	3360 1647 54
7	Bushing		1	3360 1647 22
8	Sleeve		2	3360 0706 54
9	Spring		1	3360 4805 64
10	Spring pin		1	0108 1391 00
11	Nipple		1	9000 0343 00
12	Valve housing		1	3360 1646 47
13	Main valve		1	3360 1646 84
14	Cover		1	3360 1646 33
15	Cylinder		1	3360 1646 37
16	Piston		1	3360 1646 38
17(18-26)	Front head, complete	Hexagon 25 x 108	1	3360 0705 84
18	Front head	Hexagon 25 x 108	1	3360 3125 59
19	Tool retainer		1	3360 9949 46
20	Plunger		1	3360 3125 25
21	Spring		1	3360 1640 37
22	Pin		1	3360 3125 23
23	Bushing, right	ID = ø17 mm	1	3360 1646 90
24	Bushing, left	ID = ø19 mm	1	3360 1646 89
25	Screw		1	0211 5161 86
26	Lock nut		1	0292 1408 00
27	Tool chuck	Hexagon 25 x 108	1	3360 1646 49
28	O-ring		1	0663 2112 19
29	Screw		4	0211 5161 85
30	Nut		4	0268 4108 00
31	Disk spring		2	0384 3437 00
32	Ball		1	3310 1380 00
33	Lock washer		8	3315 0195 08
34(35-36)	Silencer, complete		1	3310 1344 00
35	Silencer	Front	1	-
36	Silencer	Rear	1	-
37	O-ring		1	0663 2115 14
38	Separation wall		1	3310 1382 00
39	Flange screw		6	0147 1976 05
40	Flange nut		6	9232 0207 50
41	Label	Atlas Copco	1	0690 1356 00
42	Label	Sound	1	-
43	Label	TEX 20PS	1	-
44	Data plate		1	-
45	Screw		2	0244 4144 00
46	Spring pin		1	0108 1302 00

# TEX 20PS-1 round 25 x 75 (square collar)



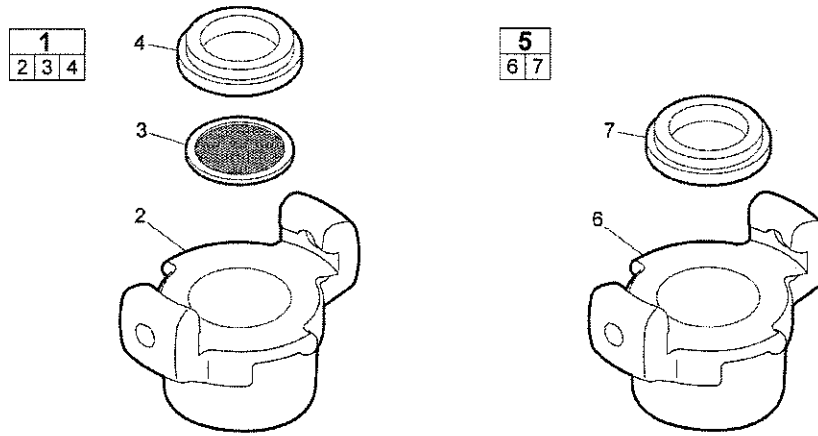
Crowder Supply Co, Inc. 8495 Roslyn St Commerce City, CO 80022 (303) 433-5144 FAX: (303) 433-3928 Toll Free: (888) 883-5144 www.crowdersupply.com

No.	Description	Remark	Quantity	Part number
1(2-3)	Back head, complete		1	3360 0705 88
2	Back head		1	-
3	Bushing		1	3360 4806 38
4	Valve stem		1	3360 1646 45
5	O-ring		1	0663 9136 00
6	Trigger		1	3360 1647 54
7	Bushing		1	3360 1647 22
8	Sleeve		2	3360 0706 54
9	Spring		1	3360 4805 64
10	Spring pin		1	0108 1391 00
11	Nipple		1	9000 0343 00
12	Valve housing		1	3360 1646 47
13	Main valve		1	3360 1646 84
14	Cover		1	3360 1646 33
15	Cylinder		1	3360 1646 37
16	Piston		1	3360 1646 38
17(18-26)	Front head, complete	Round 25 x 75 (square collar)	1	3360 0705 92
18	Front head	Round 25 x 75 (square collar)	1	3360 1646 36
19	Tool retainer		1	3360 9949 46
20	Plunger		1	3360 3125 25
21	Spring		1	3360 1640 37
22	Pin		1	3360 3125 23
23	Bushing, right	ID = ø17 mm	1	3360 1646 90
24	Bushing, left	ID = ø19 mm	1	3360 1646 89
25	Screw		1	0211 5161 86
26	Lock nut		1	0292 1408 00
27	Tool chuck	Round 25 x 75 (square collar)	1	3360 1645 97
28	O-ring		1	0663 2112 19
29	Screw		4	0211 5161 85
30	Nut		4	0268 4108 00
31	Disk spring		2	0384 3437 00
32	Ball		1	3310 1380 00
33	Lock washer		8	3315 0195 08
34(35-36)	Silencer, complete		1	3310 1344 00
35	Silencer	Front	1	-
36	Silencer	Rear	1	-
37	O-ring		1	0663 2115 14
38	Separation wall		1	3310 1382 00
39	Flange screw		6	0147 1976 05
40	Flange nut		6	9232 0207 50
41	Label	Atlas Copco	1	0690 1356 00
42	Label	Sound	1	-
43	Label	TEX 20PS	1	-
44	Data plate		1	-
45	Screw		2	0244 4144 00
46	Spring pin		1	0108 1302 00

Crowder Supply Co., Inc. 8495 Roslyn St Commerce City, CO 80022 (303) 433-5144 FAX: (303) 433-3928 Toll Free: (888) 883-5144 www.crowdersupply.com

# Accessories

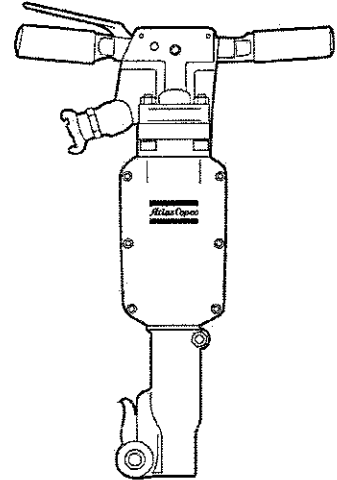
## Claw couplings



No.	Description	Remark	Quantity	Part number
1(2-4)	Claw coupling with strainer, complete	Standard G $\frac{3}{4}$ "	1	9000 0306 01
2	Claw coupling		1	-
3	Strainer		1	9000 0000 10
4	Seal		1	9000 0000 00
5(6-7)	Claw coupling, complete	Standard G $\frac{3}{4}$ "	1	9000 0306 00
6	Claw coupling		1	-
7	Seal		1	9000 0000 00

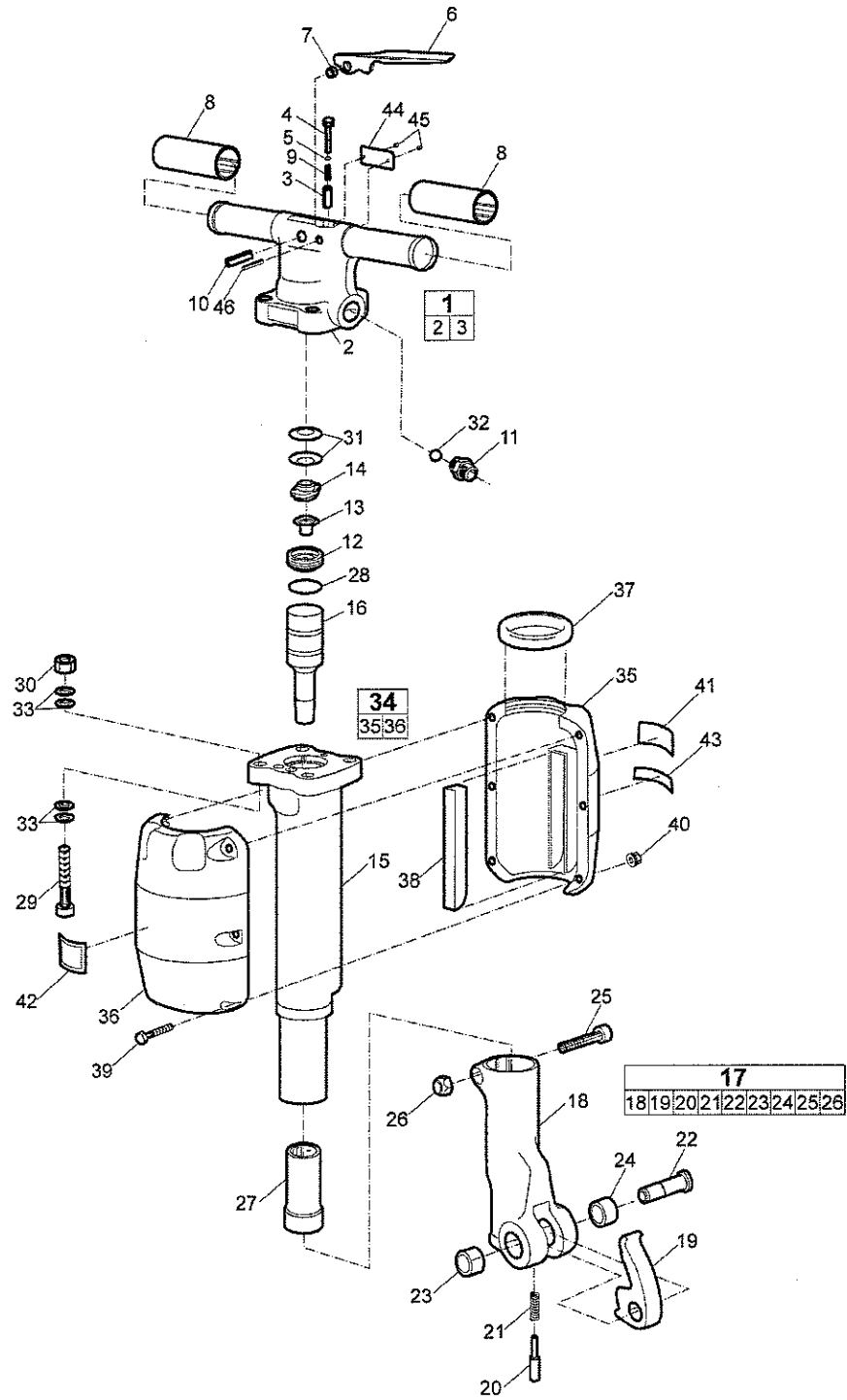
## Spare parts list

### Handheld pneumatic breakers



# Spare parts list

## TEX 20PS hexagon 25 x 108

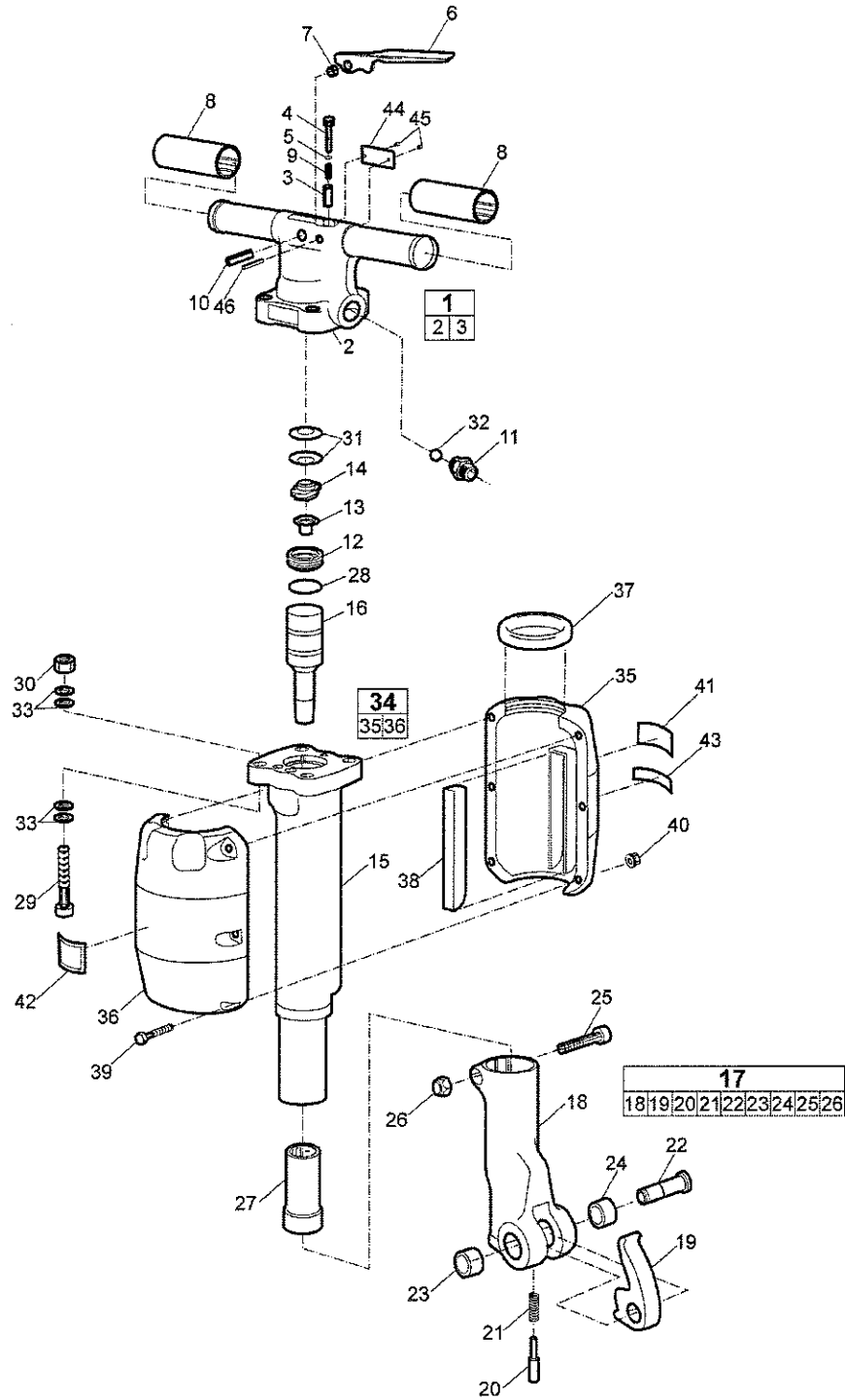


Crowder Supply Co, Inc. 8495 Roslyn St Commerce City, CO 80022 (303) 433-5144 FAX: (303) 433-3928 Toll Free: (888) 883-5144 www.crowdersupply.com

No.	Description	Remark	Quantity	Part number
1(2-3)	Back head, complete		1	3360 0705 88
2	Back head		1	-
3	Bushing		1	3360 4806 38
4	Valve stem		1	3360 1646 45
5	O-ring		1	0663 9136 00
6	Trigger		1	3360 1647 54
7	Bushing		1	3360 1647 22
8	Sleeve		2	3360 0706 54
9	Spring		1	3360 4805 64
10	Spring pin		1	0108 1391 00
11	Nipple		1	9000 0343 00
12	Valve housing		1	3360 1646 47
13	Main valve		1	3360 1646 84
14	Cover		1	3360 1646 33
15	Cylinder		1	3360 1646 37
16	Piston		1	3360 1646 38
17(18-26)	Front head, complete	Hexagon 25 x 108	1	3360 0705 84
18	Front head	Hexagon 25 x 108	1	3360 3125 59
19	Tool retainer		1	3360 9949 46
20	Plunger		1	3360 3125 25
21	Spring		1	3360 1640 37
22	Pin		1	3360 3125 23
23	Bushing, right	ID = ø17 mm	1	3360 1646 90
24	Bushing, left	ID = ø19 mm	1	3360 1646 89
25	Screw		1	0211 5161 86
26	Lock nut		1	0292 1408 00
27	Tool chuck	Hexagon 25 x 108	1	3360 1646 49
28	O-ring		1	0663 2112 19
29	Screw		4	0211 5161 85
30	Nut		4	0268 4108 00
31	Disk spring		2	0384 3437 00
32	Ball		1	3310 1380 00
33	Lock washer		8	3315 0195 08
34(35-36)	Silencer, complete		1	3310 1344 00
35	Silencer	Front	1	-
36	Silencer	Rear	1	-
37	O-ring		1	0663 2115 14
38	Separation wall		1	3310 1382 00
39	Flange screw		6	0147 1976 05
40	Flange nut		6	9232 0207 50
41	Label	Atlas Copco	1	0690 1356 00
42	Label	Sound	1	-
43	Label	TEX 20PS	1	-
44	Data plate		1	-
45	Screw		2	0244 4144 00
46	Spring pin		1	0108 1302 00

Crowder Supply Co, Inc. 8495 Roslyn St Commerce City, CO 80022 (303) 433-3928 Toll Free: (888) 883-5144 www.crowdersupply.com

# TEX 20PS-1 round 25 x 75 (square collar)



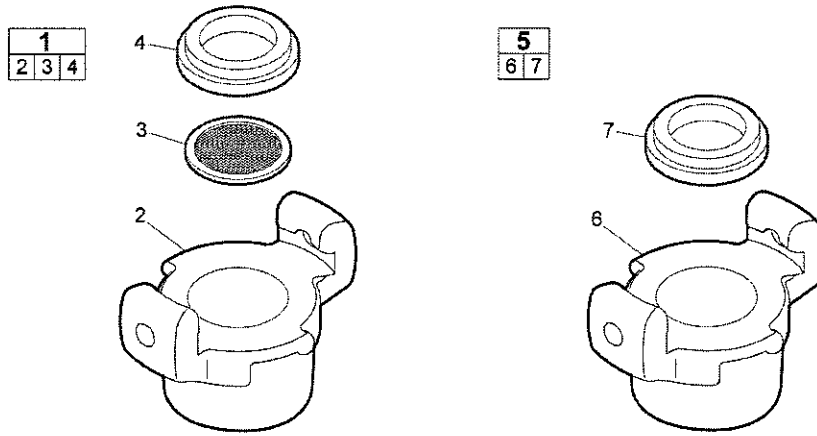
Crowder Supply Co, Inc. 8495 Roslyn St Commerce City, CO 80022 (303) 433-5144 FAX: (303) 433-3928 Toll Free: (888) 883-5144 www.crowdersupply.com

No.	Description	Remark	Quantity	Part number
1(2-3)	Back head, complete		1	3360 0705 88
2	Back head		1	-
3	Bushing		1	3360 4806 38
4	Valve stem		1	3360 1646 45
5	O-ring		1	0663 9136 00
6	Trigger		1	3360 1647 54
7	Bushing		1	3360 1647 22
8	Sleeve		2	3360 0706 54
9	Spring		1	3360 4805 64
10	Spring pin		1	0108 1391 00
11	Nipple		1	9000 0343 00
12	Valve housing		1	3360 1646 47
13	Main valve		1	3360 1646 84
14	Cover		1	3360 1646 33
15	Cylinder		1	3360 1646 37
16	Piston		1	3360 1646 38
17(18-26)	Front head, complete	Round 25 x 75 (square collar)	1	3360 0705 92
18	Front head	Round 25 x 75 (square collar)	1	3360 1646 36
19	Tool retainer		1	3360 9949 46
20	Plunger		1	3360 3125 25
21	Spring		1	3360 1640 37
22	Pin		1	3360 3125 23
23	Bushing, right	ID = ø17 mm	1	3360 1646 90
24	Bushing, left	ID = ø19 mm	1	3360 1646 89
25	Screw		1	0211 5161 86
26	Lock nut		1	0292 1408 00
27	Tool chuck	Round 25 x 75 (square collar)	1	3360 1645 97
28	O-ring		1	0663 2112 19
29	Screw		4	0211 5161 85
30	Nut		4	0268 4108 00
31	Disk spring		2	0384 3437 00
32	Ball		1	3310 1380 00
33	Lock washer		8	3315 0195 08
34(35-36)	Silencer, complete		1	3310 1344 00
35	Silencer	Front	1	-
36	Silencer	Rear	1	-
37	O-ring		1	0663 2115 14
38	Separation wall		1	3310 1382 00
39	Flange screw		6	0147 1976 05
40	Flange nut		6	9232 0207 50
41	Label	Atlas Copco	1	0690 1356 00
42	Label	Sound	1	-
43	Label	TEX 20PS	1	-
44	Data plate		1	-
45	Screw		2	0244 4144 00
46	Spring pin		1	0108 1302 00

Crowder Supply Co, Inc. 8495 Roslyn St Commerce City, CO 80022 (303) 433-3928 FAX: (303) 433-5144 Toll Free: (888) 863-5144 www.crowdersupply.com

# Accessories

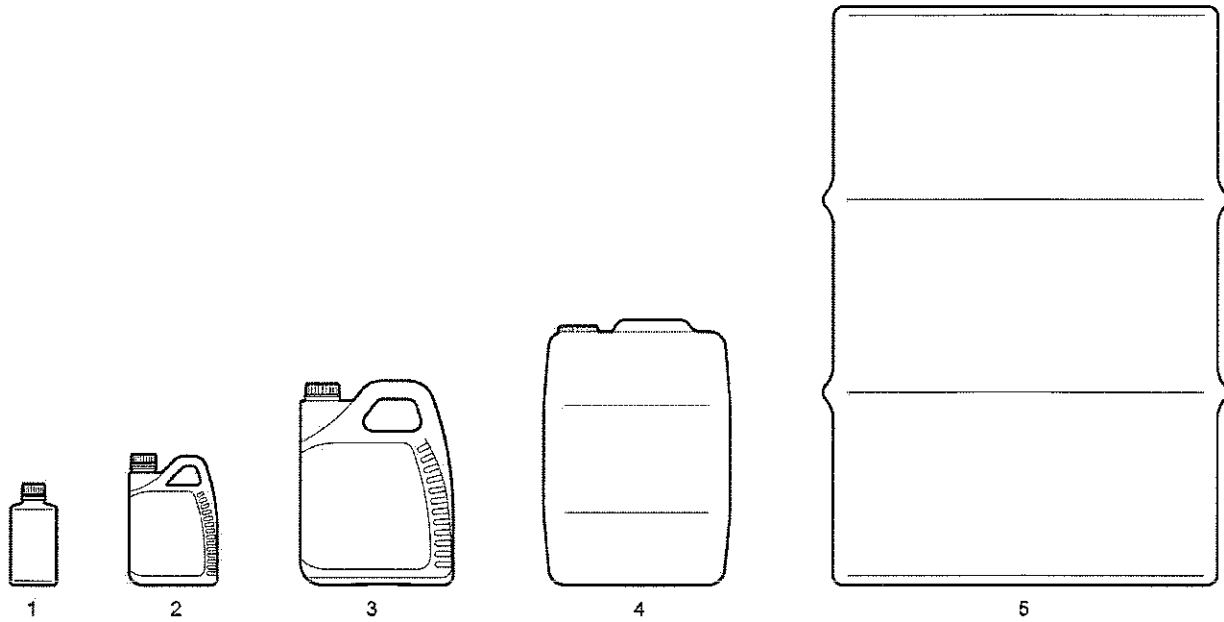
## Claw couplings



No.	Description	Remark	Quantity	Part number
1(2-4)	Claw coupling with strainer, complete	Standard G $\frac{3}{4}$ "	1	9000 0306 01
2	Claw coupling		1	-
3	Strainer		1	9000 0000 10
4	Seal		1	9000 0000 00
5(6-7)	Claw coupling, complete	Standard G $\frac{3}{4}$ "	1	9000 0306 00
6	Claw coupling		1	-
7	Seal		1	9000 0000 00

Crowder Supply Co, Inc. 8495 Roslyn St Commerce City, CO 80022 (303) 433-5144 FAX: (303) 433-3928 Toll Free: (888) 883-5144 www.crowdersupply.com

## Breaker and hammer AIR-OIL



No.	Description	Remark	Quantity	Part number
1	Breaker and hammer AIR-OIL	0.2 l (0.040 gallon)	1	8099 0202 40
2	Breaker and hammer AIR-OIL	1 l (0.22 gallon)	1	8099 0202 36
3	Breaker and hammer AIR-OIL	5 l (1.1 gallon)	1	8099 0202 02
4	Breaker and hammer AIR-OIL	20 l (4.4 gallon)	1	8099 0202 15
5	Breaker and hammer AIR-OIL	208 l Drum (46 gallon)	1	8099 0202 28

## Shank gauge

Description	Remark	Quantity	Part number
Gauge, hexagon 25	25 mm (1")	1	3310 1509 25

Crowder Supply Co, Inc. 8495 Roslyn St Commerce City, CO 80022 (303) 433-5144 FAX: (303) 433-3928 Toll Free: (888) 883-5144 www.crowdersupply.com