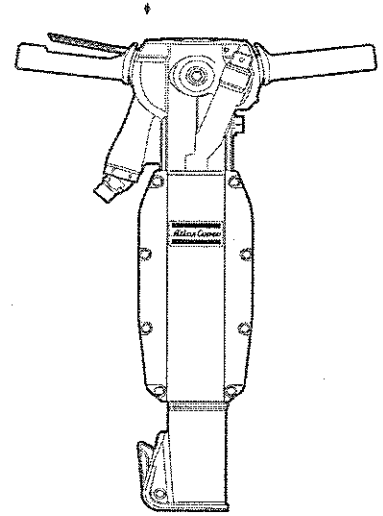


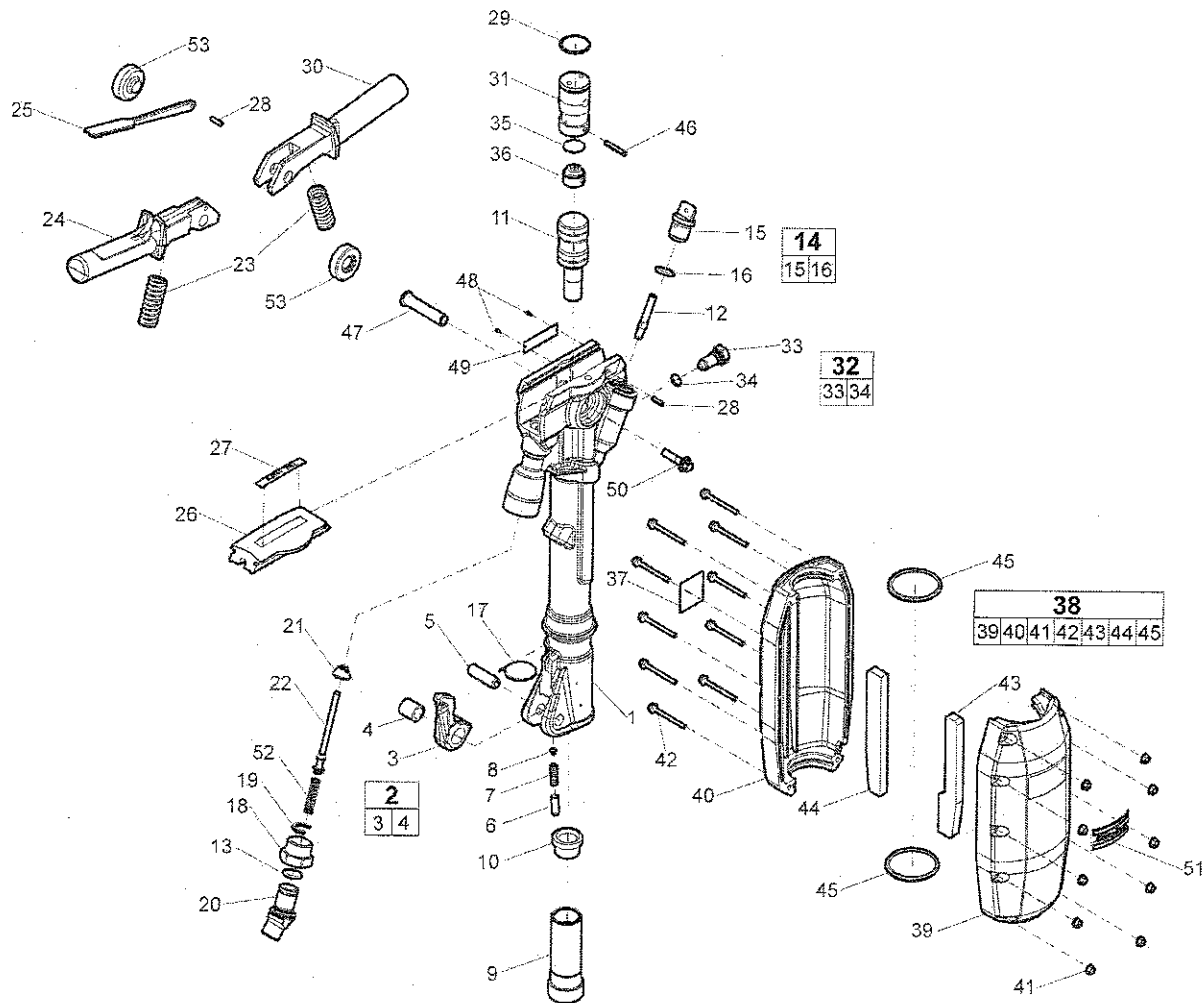
Crowder Supply Co, Inc. 8495 Roslyn St Commerce City, CO 80022 (303) 433-5144 FAX: (303) 433-3928 Toll Free: (888) 883-5144 www.crowdersupply.com

Spare parts list Handheld pneumatic breakers



Spare parts list

TEX 280PE hexagon 28 x 160

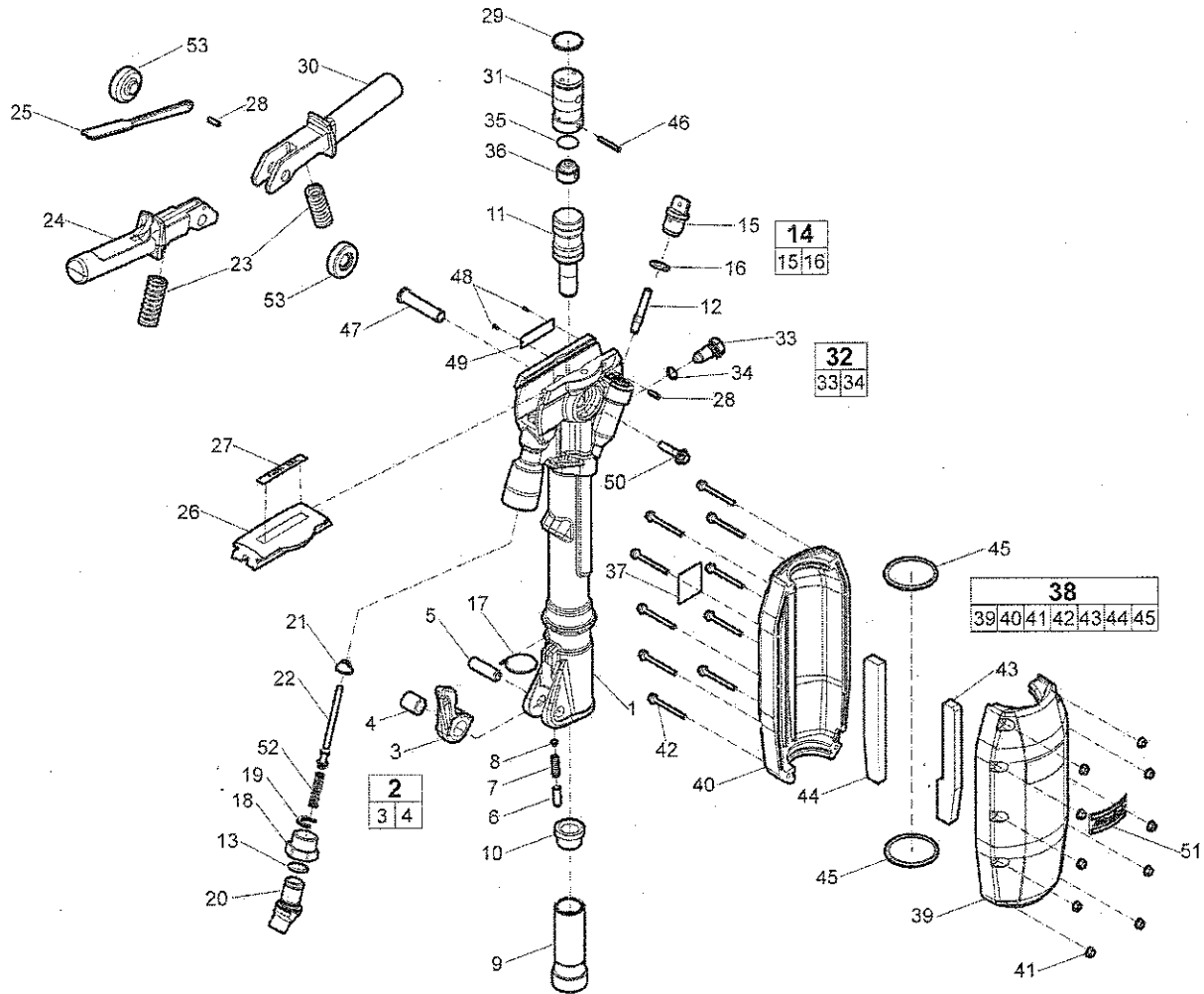


Crowder Supply Co., Inc. 8495 Roslyn St Commerce City, CO 80022 (303) 433-5144 FAX: (303) 433-3928 Toll Free: (888) 863-5144 www.crowdersupply.com

No.	Description	Remark	Quantity	Part number
1	Cylinder		1	3310 1528 00
2(3-4)	Tool retainer kit		1	3310 0890 80
3	Tool retainer		1	-
4	Bushing		1	3310 0891 00
5	Spring pin		1	0108 1691 05
6	Plunger		1	3310 0893 00
7	Spring		1	3310 0894 00
8	Protection plug		1	3310 1508 00
9	Tool chuck		1	3310 1484 00
10	Intermediate part		1	3310 1548 00
11	Piston		1	3310 1547 00
12	Dosing feeder		1	3310 1260 00
13	O-ring		1	0663 2126 00
14(15-16)	Oil plug kit		1	3310 1462 80
15	Oil plug		1	-
16	O-ring		1	0663 2126 00
17	Lock wire		1	3310 1534 00
18	Swivel nut		1	3310 1044 00
19	Lock washer		1	3310 1059 00
20	Swivel	3/4"	1	3310 1536 00
21	Inlet valve		1	3310 1211 00
22	Valve stem		1	3310 1492 00
23	Spring		2	3310 1083 00
24	Handle		1	3310 1458 80
25	Trigger		1	3310 1460 80
26	Cover		1	3310 1478 00
27	Label	TEX 280PE	1	3310 1516 11
28	Spring pin		2	0108 1324 00
29	O-ring		1	0663 2134 00
30	Handle		1	3310 1459 80
31	Valve housing		1	3310 1481 00
32(33-34)	Screw kit		1	3310 1476 80
33	Screw		1	-
34	O-ring		1	0663 2120 00
35	Main valve		1	3310 1173 00
36	valve cover		1	3310 1245 00
37	Sound label		1	-
38(39-45)	Silencer kit		1	3310 1477 80
39	Silencer front		1	-
40	Silencer rear		1	-
41	Flange nut		10	9232 0207 50
42	Flange screw		10	0147 3000 32
43	Separation wall		1	3310 1518 50
44	Separation wall		1	3310 1518 51
45	O-ring		2	0663 2114 14
46	Spring pin		1	0108 1332 00
47	Guide shaft		1	3310 1479 00
48	Screw		2	0244 4144 00
49	Data plate		1	-
50	Flange screw		1	0147 3000 18
51	Label	Atlas Copco	1	0690 1356 00
52	Spring		1	3310 1537 00
53	Buffer		2	3310 1461 00

Crowder Supply Co, Inc. 8495 Roslyn St Commerce City, CO 80022 (303) 433-5144 FAX: (303) 433-3928 Toll Free: (888) 883-5144 www.crowdersupply.com

TEX 280PE hexagon 32 x 160



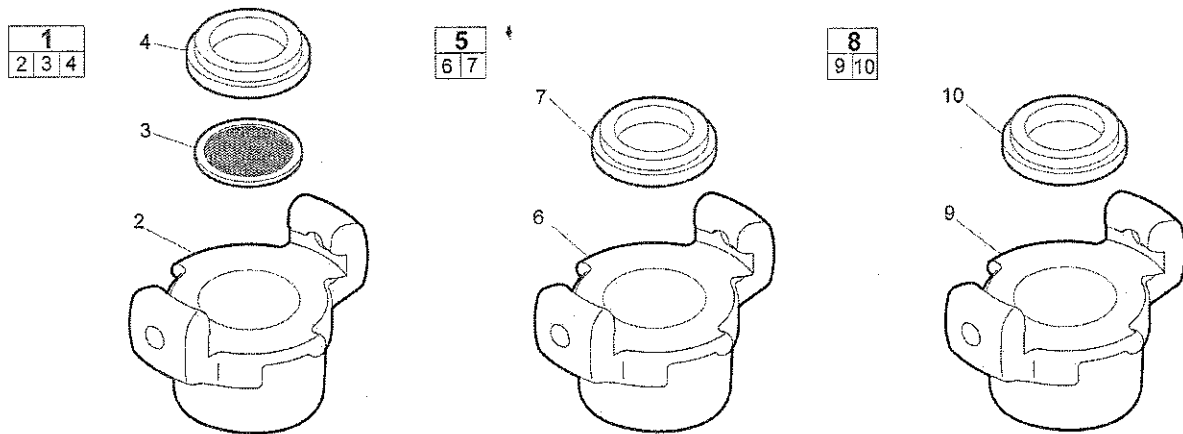
Crowder Supply Co., Inc. 8495 Roslyn St Commerce City, CO 80022 (303) 433-5144 FAX: (303) 433-3928 Toll Free: (888) 883-5144 www.crowdersupply.com

No.	Description	Remark	Quantity	Part number
1	Cylinder		1	3310 1528 00
2(3-4)	Tool retainer kit		1	3310 0890 80
3	Tool retainer		1	-
4	Bushing		1	3310 0891 00
5	Spring pin		1	0108 1691 05
6	Plunger		1	3310 0893 00
7	Spring		1	3310 0894 00
8	Protection plug		1	3310 1508 00
9	Tool chuck		1	3310 1483 00
10	Intermediate part		1	3310 1548 00
11	Piston		1	3310 1547 00
12	Dosing feeder		1	3310 1260 00
13	O-ring		1	0663 2126 00
14(15-16)	Oil plug kit		1	3310 1462 80
15	Oil plug		1	-
16	O-ring		1	0663 2126 00
17	Lock wire		1	3310 1534 00
18	Swivel nut		1	3310 1044 00
19	Lock washer		1	3310 1059 00
20	Swivel	3/4"	1	3310 1536 00
21	Inlet valve		1	3310 1211 00
22	Valve stem		1	3310 1492 00
23	Spring		2	3310 1083 00
24	Handle		1	3310 1458 80
25	Trigger		1	3310 1460 80
26	Cover		1	3310 1478 00
27	Label	TEX 280PE	1	3310 1516 11
28	Spring pin		2	0108 1324 00
29	O-ring		1	0663 2134 00
30	Handle		1	3310 1459 80
31	Valve housing		1	3310 1481 00
32(33-34)	Screw kit		1	3310 1476 80
33	Screw		1	-
34	O-ring		1	0663 2120 00
35	Main valve		1	3310 1173 00
36	valve cover		1	3310 1245 00
37	Sound label		1	-
38(39-45)	Silencer kit		1	3310 1477 80
39	Silencer front		1	-
40	Silencer rear		1	-
41	Flange nut		10	9232 0207 50
42	Flange screw		10	0147 3000 32
43	Separation wall		1	3310 1518 50
44	Separation wall		1	3310 1518 51
45	O-ring		2	0663 2114 14
46	Spring pin		1	0108 1332 00
47	Guide shaft		1	3310 1479 00
48	Screw		2	0244 4144 00
49	Data plate		1	-
50	Flange screw		1	0147 3000 18
51	Label	Atlas Copco	1	0690 1356 00
52	Spring		1	3310 1537 00
53	Buffer		2	3310 1461 00

Crowder Supply Co, Inc. 8495 Roslyn St Commerce City, CO 80022 (303) 433-5144 FAX: (303) 433-3928 Toll Free: (888) 883-5144 www.crowdersupply.com

Accessories

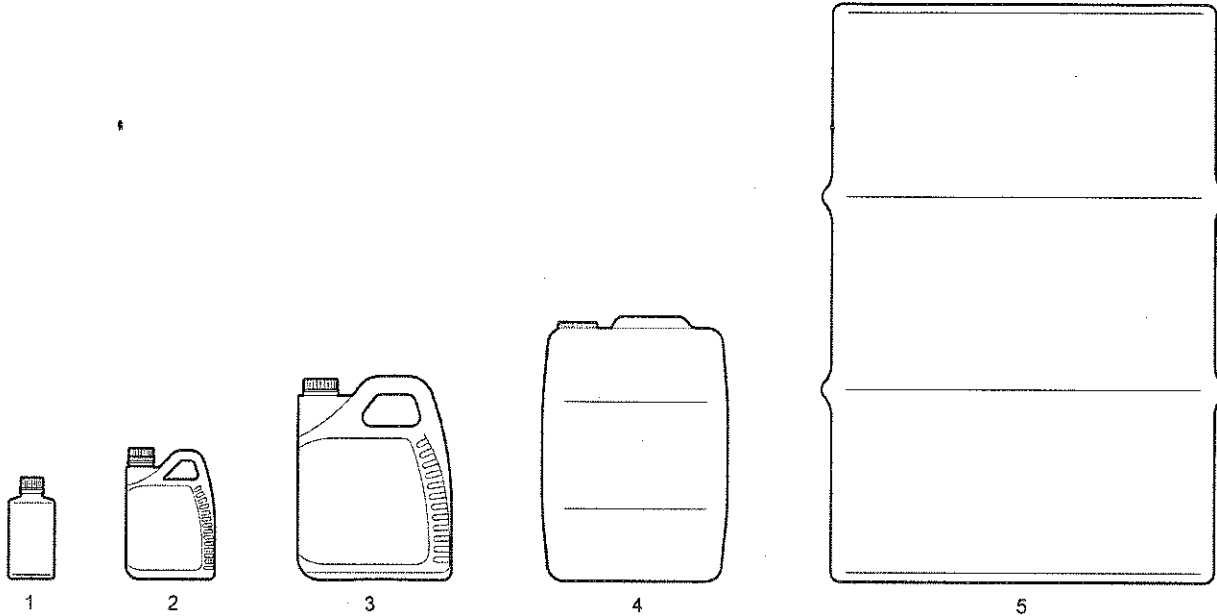
Claw couplings



No.	Description	Remark	Quantity	Part number
1(2-4)	Claw coupling with strainer, complete	Standard G $\frac{3}{4}$ "	1	9000 0306 01
2	Claw coupling		1	-
3	Strainer		1	9000 0000 10
4	Seal		1	9000 0000 00
5(6-7)	Claw coupling, complete	Standard G $\frac{3}{4}$ "	1	9000 0306 00
6	Claw coupling		1	-
7	Seal		1	9000 0000 00
8(9-10)	Claw coupling, complete	US-universal $\frac{3}{4}$ "	1	9001 0005 06
9	Claw coupling		1	-
10	Seal		1	9001 0005 15

Crowder Supply Co., Inc. 8495 Roslyn St Commerce City, CO 80022 (303) 433-5144 FAX: (303) 433-3928 Toll Free: (888) 883-5144 www.crowdersupply.com

Breaker and hammer AIR-OIL



No.	Description	Remark	Quantity	Part number
1	Breaker and hammer AIR-OIL	0.2 l (0.040 gallon)	1	8099 0202 40
2	Breaker and hammer AIR-OIL	1 l (0.22 gallon)	1	8099 0202 36
3	Breaker and hammer AIR-OIL	5 l (1.1 gallon)	1	8099 0202 02
4	Breaker and hammer AIR-OIL	20 l (4.4 gallon)	1	8099 0202 15
5	Breaker and hammer AIR-OIL	208 l Drum (46 gallon)	1	8099 0202 28

Shank gauge

Description	Remark	Quantity	Part number
Gauge, hexagon 25	25 mm (1")	1	3310 1509 25
Gauge, hexagon 28	28 mm (1 1/8")	1	3310 1509 28
Gauge, hexagon 32	32 mm (1 1/4")	1	3310 1509 32