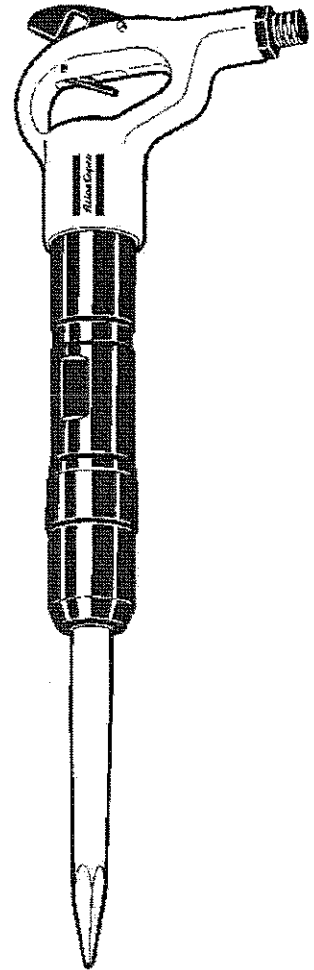


TEX 3

Spare parts list

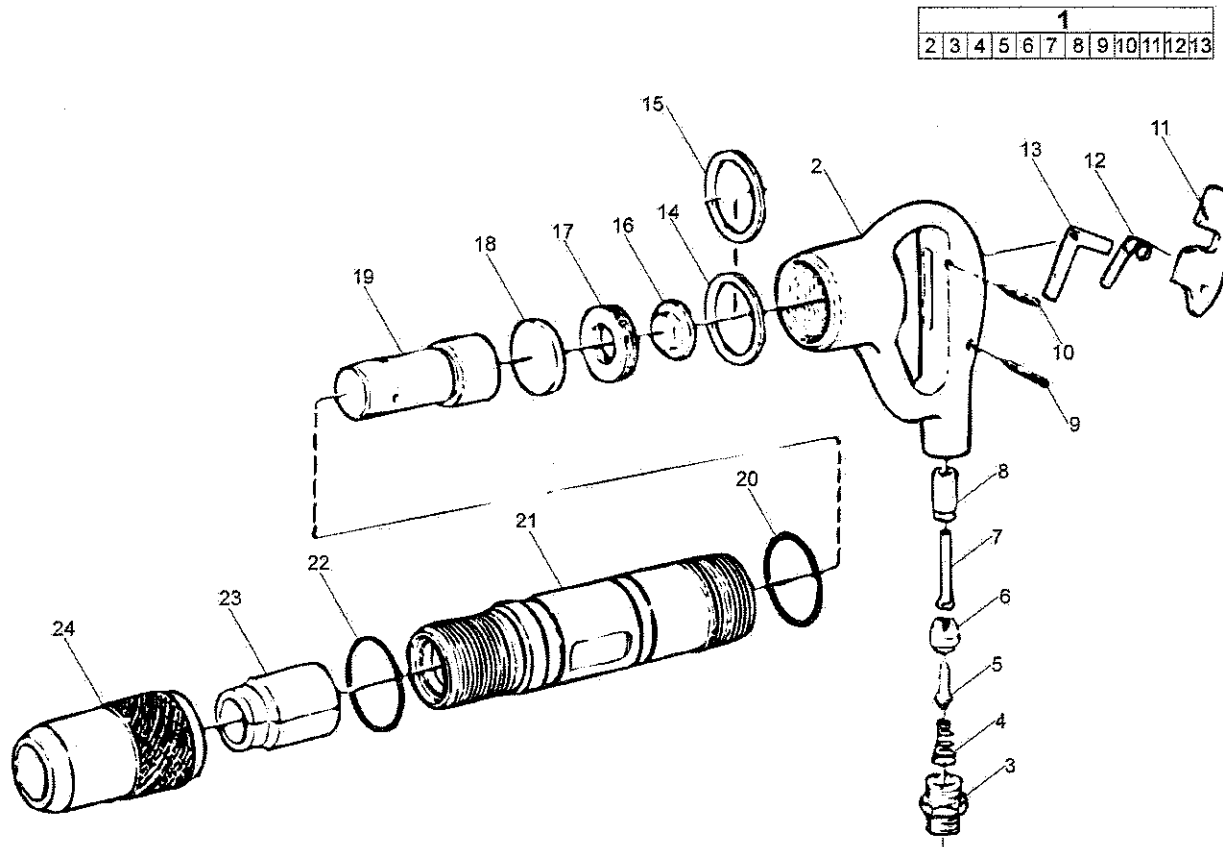
Handheld pneumatic chipping hammers



Spare parts list

TEX 3 Hex 19x50 mm

Crowder Supply Co, Inc. 8495 Roslyn St Commerce City, CO 80022 (303) 433-5144 FAX: (303) 433-3928 Toll Free: (888) 883-5144 www.crowdersupply.com

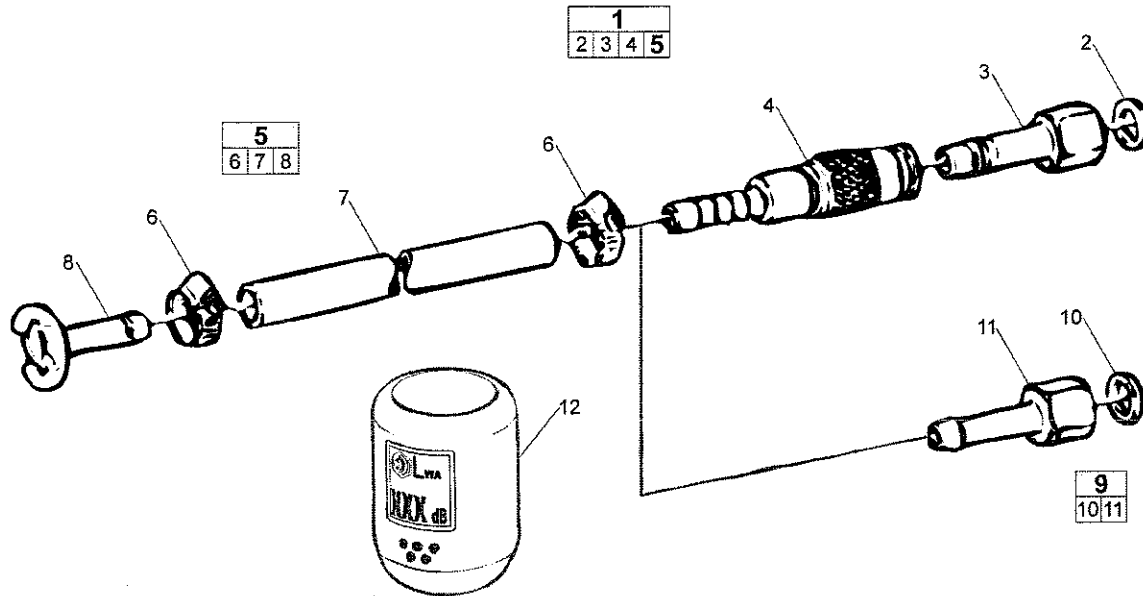


No.	Description	Remark	Quantity	Part Number
1(2-13)	Handle, complete		1	3310 0900 80
2	Handle		1	-
3	Nipple		1	3310 0914 00
4	Valve spring		1	3310 0913 00
5	Inlet valve rod		1	3310 0912 00
6	Inlet valve		1	3310 0911 00
7	Push rod		1	3310 0910 00
8	Push rod guide		1	3310 0909 00
9	Trigger pin		1	3310 0908 00
10	Pin		1	3310 0930 00
11	Trigger		1	3310 0907 00
12	Spring		1	3310 0931 00
13	Safety trigger		1	3310 0929 00
14	Spacer ring	3 mm	1	3310 0927 00
15	Spacer ring	4 mm	1	3310 0928 00
16	Main valve		1	3310 0903 00
17	Disc spring		3	3310 0904 00
18	Cover		1	3310 0905 00
19	Piston		1	3310 0906 00
20	O-ring	50x3.2 mm	1	3310 0901 00
21	Cylinder		1	3310 0902 00
22	O-ring	40x3.5 mm	1	3310 0933 00
23	Buffer (split)		1	3310 0936 00
24	Cap		1	3310 0935 00

Crowder Supply Co, Inc. 8495 Roslyn St Commerce City, CO 80022 (303) 433-3928 Toll Free: (888) 883-5144 www.crowdersupply.com

Accessories

Optional equipment



No.	Description	Remark	Quantity	Part Number
1(2-8)	Short length hose, complete	Inner ø12.5 mm	1	9030 2043 00
2	Seal washer		1	0661 1000 27
3	Nipple		1	8202 1252 10
4	Quick coupling		1	8202 1304 18
5(6-8)	Fitted hose, complete		1	9030 0018 00
6	Hose clamp		2	0347 6105 00
7	Hose	3 m	1	-
8	Claw coupling		1	9000 0310 00
9(10-11)	Hose nipple, complete		1	3310 0937 80
10	Seal washer		1	0661 1000 27
11	Hose nipple		1	3310 0937 00
12	Silencer		1	3310 0945 00

Crowder Supply Co, Inc. 8495 Roslyn St Commerce City, CO 80022 (303) 433-5144 FAX: (303) 433-3928 Toll Free: (888) 883-5144 www.crowdersupply.com

Kits

Complete kit

Description	Dimensions	Quantity	Part number
Complete kit		1	8461 0208 56
- Chipping hammer		1	8461 0208 53
- Short length hose, complete		1	9030 2043 00
- Moll point	Hex 19x50 mm (¾"x2")	1	3083 3220 00
- Narrow chisel	Hex 19x50 mm (¾"x2")	1	3083 3222 00
- Air oil pack	0.2 l	1	8099 0202 40
- Case	390x310x120 mm	1	3310 1206 00