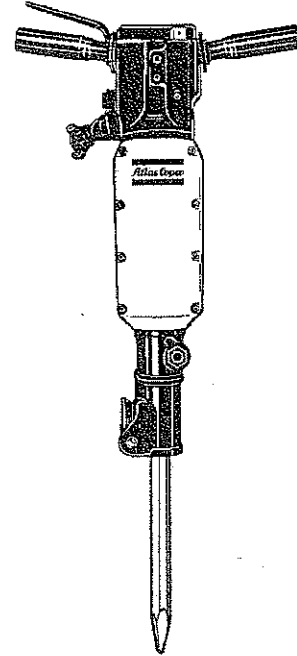


Spare parts list Handheld pneumatic breakers



No.	Description	Remark	Quantity	Part number
1	Front head	hexagon 28 x 160 mm	1	3310 1040 01
2(3-4)	Tool retainer, complete		1	3310 0889 80
3	Tool retainer		1	-
4	Bushing		1	3310 0892 00
5	Plunger		1	3310 0893 00
6	Spring		1	3310 0894 00
7	Connex pin	ø18 x 80 mm	1	0108 1691 05
8(9-11)	Cylinder, complete		1	3310 1041 00
9	Cylinder		1	-
10	Screw plug	ISO 7-R $\frac{1}{2}$	2	0686 6102 00
11	Screw plug	ISO 7-R $\frac{1}{2}$	1	0686 6103 00
12	Intermediate part		1	3310 1049 00
13	Lock ring		1	3310 1053 00
14	Bolt	MJ20 x 100 mm	1	3310 1175 00
15	Nut	M20 Nyloc	1	0291 1116 00
16	Anvil		1	3310 1203 00
17	Piston		1	3310 1199 00
18(19-22)	Valve system, complete	Black ø55 mm	1	3310 1170 90
19	Valve housing		1	-
20	Main valve		1	3310 1173 00
21	Valve cover		1	3310 1163 00
22	Steel washer	Red ø55 mm	1	3310 1166 00
23	O-ring	ø43.82 x 5.33 mm	1	0663 9253 00
24	Valve seal		1	3310 1038 00
25	O-ring	ø31.6 x 1.2 mm	2	0663 2105 44
26	Ball	Red ø20 mm	1	3310 0983 00
27	Spring		1	3310 1079 00
28	Valve stem		1	3310 1039 00
29	Screw plug		1	3310 1042 00
30	O-ring	ø9.3 x 2.4 mm	1	0663 2116 00
31	Swivel	$\frac{1}{4}$ - 14NPT	1	3310 1043 01
32	O-ring	ø22.2 x 3.0 mm	1	0663 2126 00
33	Swivel nut		1	3310 1044 00
34	Lock washer		1	3310 1059 00
35(36-37)	Oil plug, complete		1	3310 1538 80
36	Oil plug		1	-
37	O-ring	ø22.2 x 3.0 mm	1	0663 2126 00
38	Dosing feeder		1	3310 1295 00
39	O-ring	ø49.5 x 3.0 mm	1	0663 6134 00
40	Spring pin	ø6 x 25 mm	1	0108 1330 00
41	Connex pin	ø6 x 32 mm	1	0108 1690 67
42	Cover		1	3310 1047 00
43	Spring pin	ø6 x 25 mm	1	0108 1330 00
44(45-46)	Handle, complete		1	3310 1105 80
45	Handle		2	-
46	Sleeve		2	3310 1132 00
47	Trigger		1	3310 1082 00
48	Rubber washer		2	3310 1085 00
49	Spring		2	3310 1107 00
50	Seal plug		1	3310 1160 00

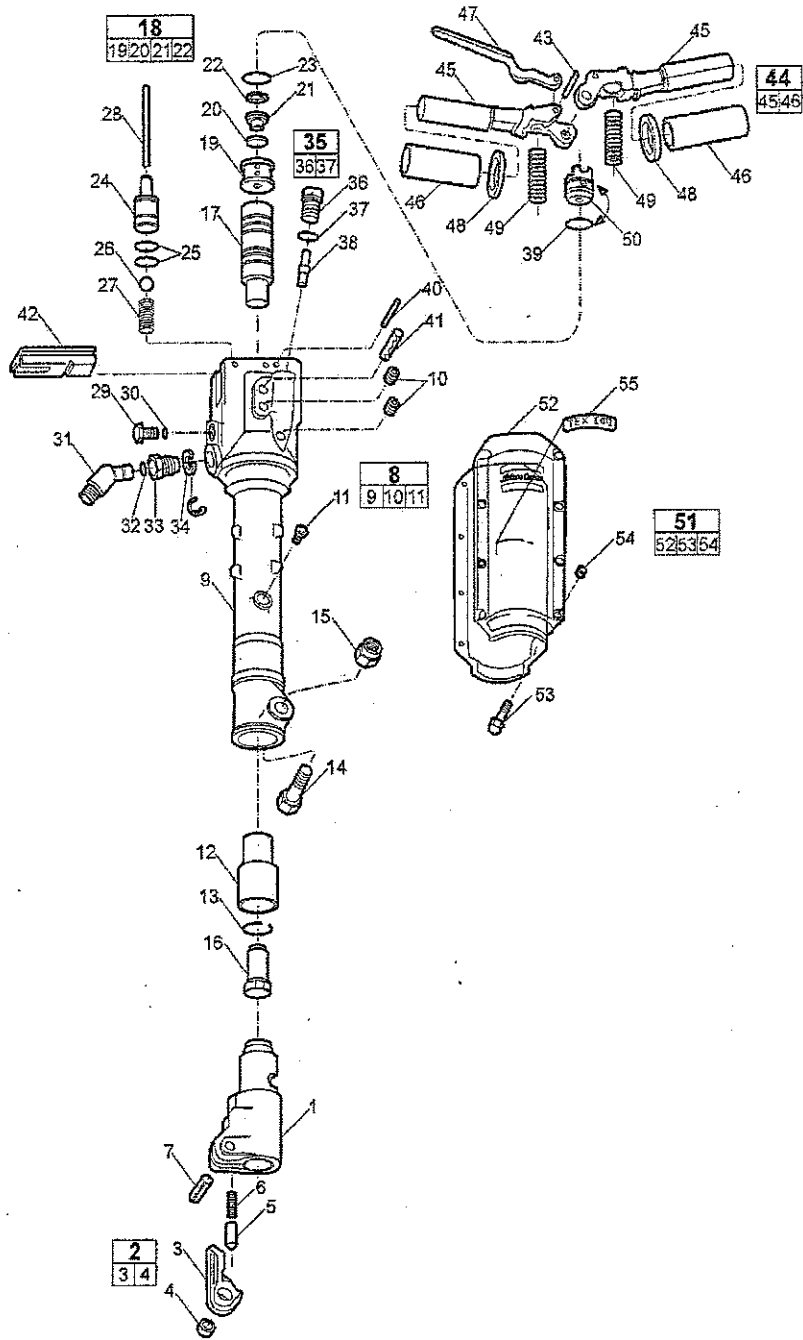
CROWDER SUPPLY COMPANY 8495 ROSLYN ST, COMMERCE CITY, COLORADO 80022 TOLL FREE 888-883-5144 WWW.CROWDERSUPPLY.COM

Spare parts list

TEX 39P, 39PS, 40PE

No.	Description	Remark	Quantity	Part number
51(52-54)	Silencer, complete		1	3310 1229 80
52	Silencer		1	
53	Flange screw		8	0147 3000 32
54	Flange nut	M5 trilob	8	9232 0267 50
55	Plate	TEX 40PE	1	3310 1033 02

TEX 40PE hexagon 32 x 160



CROWDER SUPPLY COMPANY 8495 ROSLYN ST, COMMERCE CITY, COLORADO 80022 TOLL FREE 888-883-5144 WWW.CROWDERSUPPLY.COM

No.	Description	Remark	Quantity	Part number
1	Front head	hexagon 32 x 160 mm	1	3310 1040 00
2(3-4)	Tool retainer, complete		1	3310 0889 80
3	Tool retainer		1	-
4	Bushing		1	3310 0892 00
5	Plunger		1	3310 0893 00
6	Spring		1	3310 0894 00
7	Connex pin	ø18 x 80 mm	1	0108 1691 06
8(9-11)	Cylinder, complete		1	3310 1041 00
9	Cylinder		1	-
10	Screw plug	ISO 7-R $\frac{1}{4}$	2	0666 6102 00
11	Screw plug	ISO 7-R $\frac{3}{8}$	1	0666 6103 00
12	Intermediate part		1	3310 1049 00
13	Lock ring		1	3310 1053 00
14	Bolt	MJ20 x 100 mm	1	3310 1175 00
15	Nut	M20 Nyloc	1	0291 1115 00
16	Arvil		1	3310 1203 00
17	Piston		1	3310 1199 00
18(19-22)	Valve system, complete	Black ø55 mm	1	3310 1170 90
19	Valve housing		1	-
20	Main valve		1	3310 1173 00
21	Valve cover		1	3310 1163 00
22	Steel washer	Red ø55 mm	1	3310 1166 00
23	O-ring	ø43.82 x 5.33 mm	1	0663 9253 00
24	Valve seat		1	3310 1038 00
25	O-ring	ø31.6 x 1.2 mm	2	0663 2105 44
26	Ball	Red ø20 mm	1	3310 0983 00
27	Spring		1	3310 1079 00
28	Valve stem		1	3310 1039 00
29	Screw plug		1	3310 1042 00
30	O-ring	ø9.3 x 2.4 mm	1	0663 2116 00
31	Swivel	$\frac{1}{4}$ - 14NPT	1	3310 1043 01
32	O-ring	ø22.2 x 3.0 mm	1	0663 2126 00
33	Swivel nut		1	3310 1044 00
34	Lock washer		1	3310 1059 00
35(36-37)	Oil plug, complete		1	3310 1538 80
36	Oil plug		1	-
37	O-ring	ø22.2 x 3.0 mm	1	0663 2126 00
38	Dosing feeder		1	3310 1295 00
39	O-ring	ø49.5 x 3.0 mm	1	0663 8134 00
40	Spring pin	ø6 x 25 mm	1	0108 1330 00
41	Connex pin	ø6 x 32 mm	1	0108 1690 67
42	Cover		1	3310 1047 00
43	Spring pin	ø6 x 25 mm	1	0108 1330 00
44(45-46)	Handle, complete		1	3310 1105 80
45	Handle		2	-
46	Sleeve		2	3310 1132 00
47	Trigger		1	3310 1082 00
48	Rubber washer		2	3310 1085 00
49	Spring		2	3310 1107 00
50	Seal plug		1	3310 1160 00

CROWDER SUPPLY COMPANY 8495 ROSLYN ST, COMMERCE CITY, COLORADO 80022 TOLL FREE 888-883-5144 WWW.CROWDERSUPPLY.COM

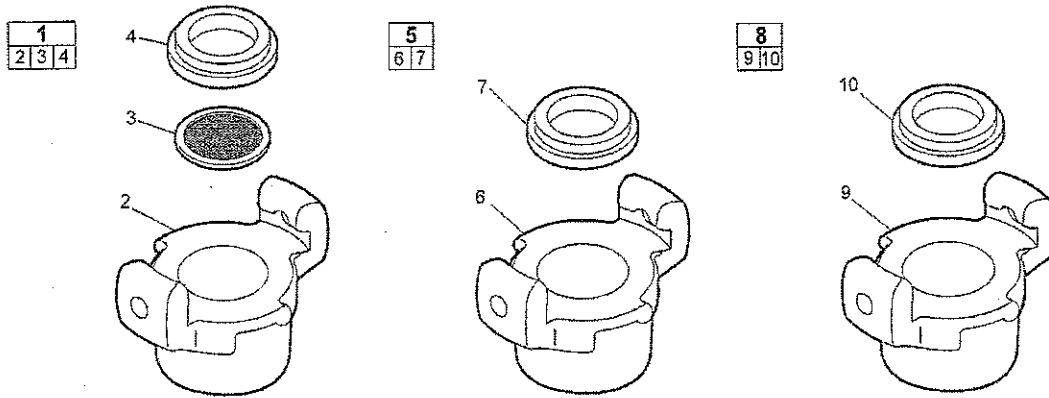
Spare parts list

TEX 39P, 39PS, 40PE

No.	Description	Remark	Quantity	Part number
51(52-54)	Silencer, complete		1	3310 1229 80
52	Silencer		1	
53	Flange screw		8	0147 3000 32
54	Flange nut	M6 Triloc	8	9232 0207 50
55	Plate	TEX 40PE	1	3310 1033 02

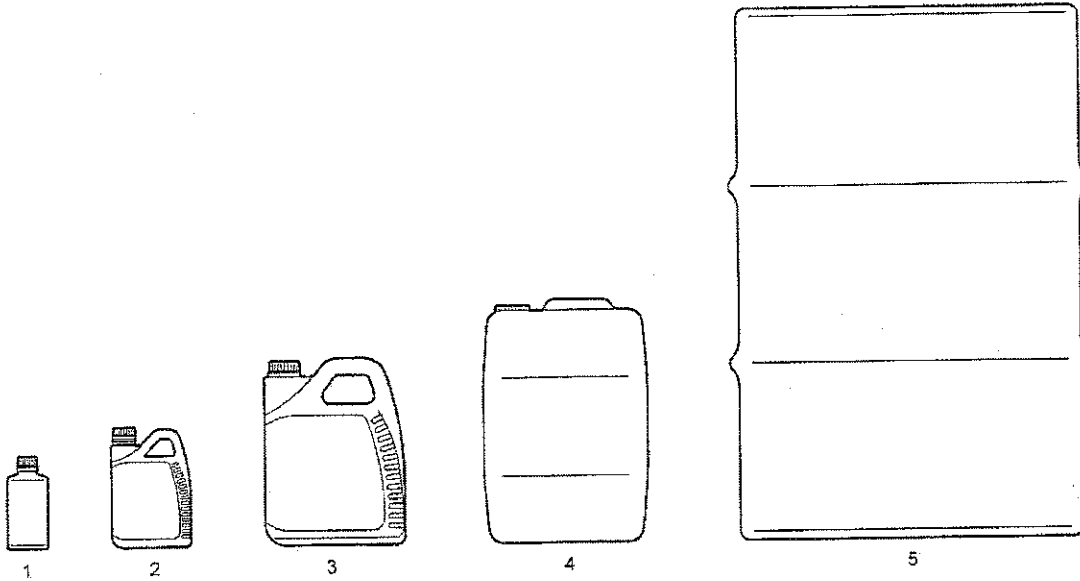
Accessories

Claw couplings



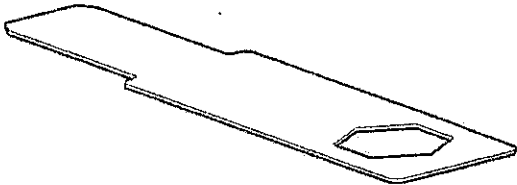
No.	Description	Remark	Quantity	Part number
1(2-4)	Claw coupling with strainer, complete	Standard G $\frac{3}{4}$ "	1	9000 0306 01
2	Claw coupling		1	-
3	Strainer		1	9000 0000 10
4	Seal		1	9000 0000 00
5(6-7)	Claw coupling, complete	Standard G $\frac{3}{4}$ "	1	9000 0306 00
6	Claw coupling		1	-
7	Seal		1	9000 0000 00
8(9-10)	Claw coupling, complete	US-universal $\frac{1}{2}$ "	1	9001 0005 06
9	Claw coupling		1	-
10	Seal		1	9001 0005 15

Breaker and hammer AIR-OIL



No.	Description	Remark	Quantity	Part number
1	Breaker and hammer AIR-OIL	0.2 l (0.040 gallon)	1	8099 0202 40
2	Breaker and hammer AIR-OIL	1 l (0.22 gallon)	1	8099 0202 36
3	Breaker and hammer AIR-OIL	5 l (1.1 gallon)	1	8099 0202 02
4	Breaker and hammer AIR-OIL	20 l (4.4 gallon)	1	8099 0202 15
5	Breaker and hammer AIR-OIL	206 l Drum (46 gallon)	1	8099 0202 28

Shank gauge



Description	Remark	Quantity	Part number
Gauge, hexagon 25	25 mm (1")	1	3310 1509 25
Gauge, hexagon 28	28 mm (1 1/4")	1	3310 1509 28
Gauge, hexagon 32	32 mm (1 1/4")	1	3310 1509 32