



Chicago Pneumatic

Safety Information

Printed Matter No. 6159990840

Date: 2023-06 Issue No. 02

Sander

Valid from Serial No. D00001-202305 to D99999-999912

Model:

CP3650-120AB

CP3650-120AA

CP3650-085AB

CP3650-085AA

CP3650-075AB



⚠ WARNING

To reduce risk of injury, everyone using, installing, repairing, maintaining, changing accessories on, or working near this tool **MUST** read and understand these instructions before performing any such task.

DO NOT DISCARD - GIVE TO USER

Schema 1

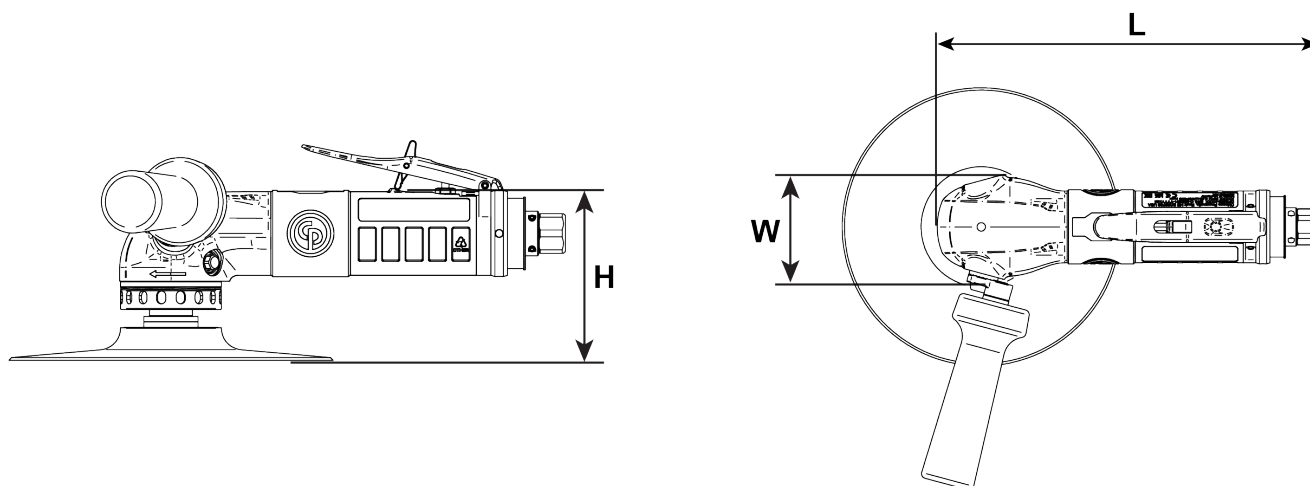


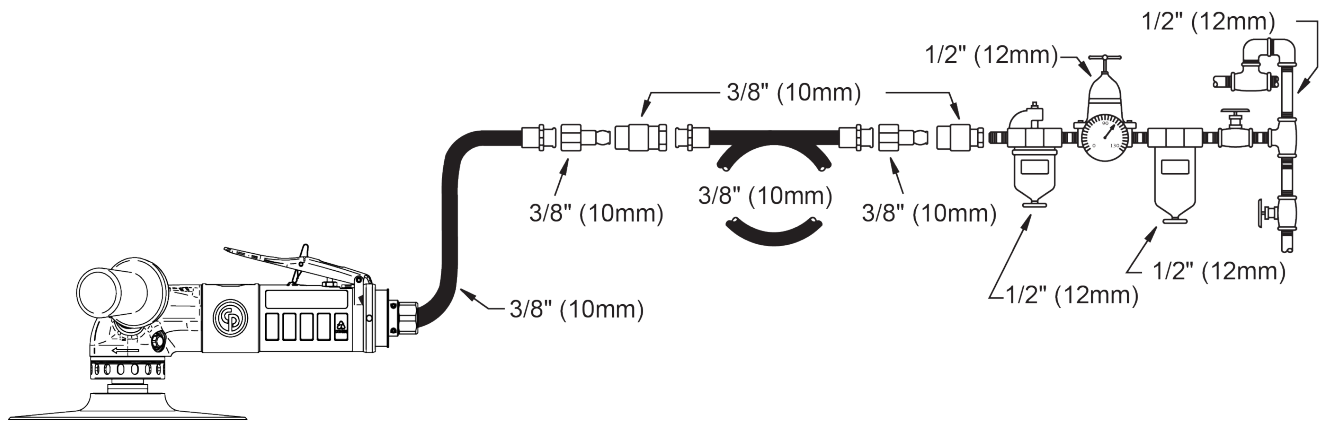
Table 1

Models	CP3650-120AB	CP3650-120AA	CP3650-085AB
Power (W)	1800	1800	1800
Length (mm)	247.5	247.5	247.5
Length (inch)	9.7	9.7	9.7
Width (mm)	68	68	68
Width (inch)	2.6	2.6	2.6
Height (mm)	94	90	94
Height (inch)	3.7	3.5	3.7
Side to Center (mm)	34	34	34
Net Weight (kg)	1.8	1.8	1.8
Net Weight (lb)	4	4	4
Actual Air Consumption (l/s)	29.8	29.8	29.8
Free Speed Air Consumption (l/s)	17.6	17.6	17.6
Air Inlet Thread Size (inch)	3/8	3/8	3/8
Min. Hose Size [5 m hose length] (mm)	13	13	13
Sound Pressure dB(A)	93	93	93
Sound Power dB(A)	104	104	104
Vibration ISO	ISO-28927-3	ISO-28927-1	ISO-28927-3
Vibration m/s ²	2.6	2.6	2.3
Vibration Uncertainty (K) (m/s ²)	1.1	1.1	1.5
Spindle Thread	5/8-11 UNC	M14	5/8-11 UNC
Free Speed (rpm)	12000	12000	8500

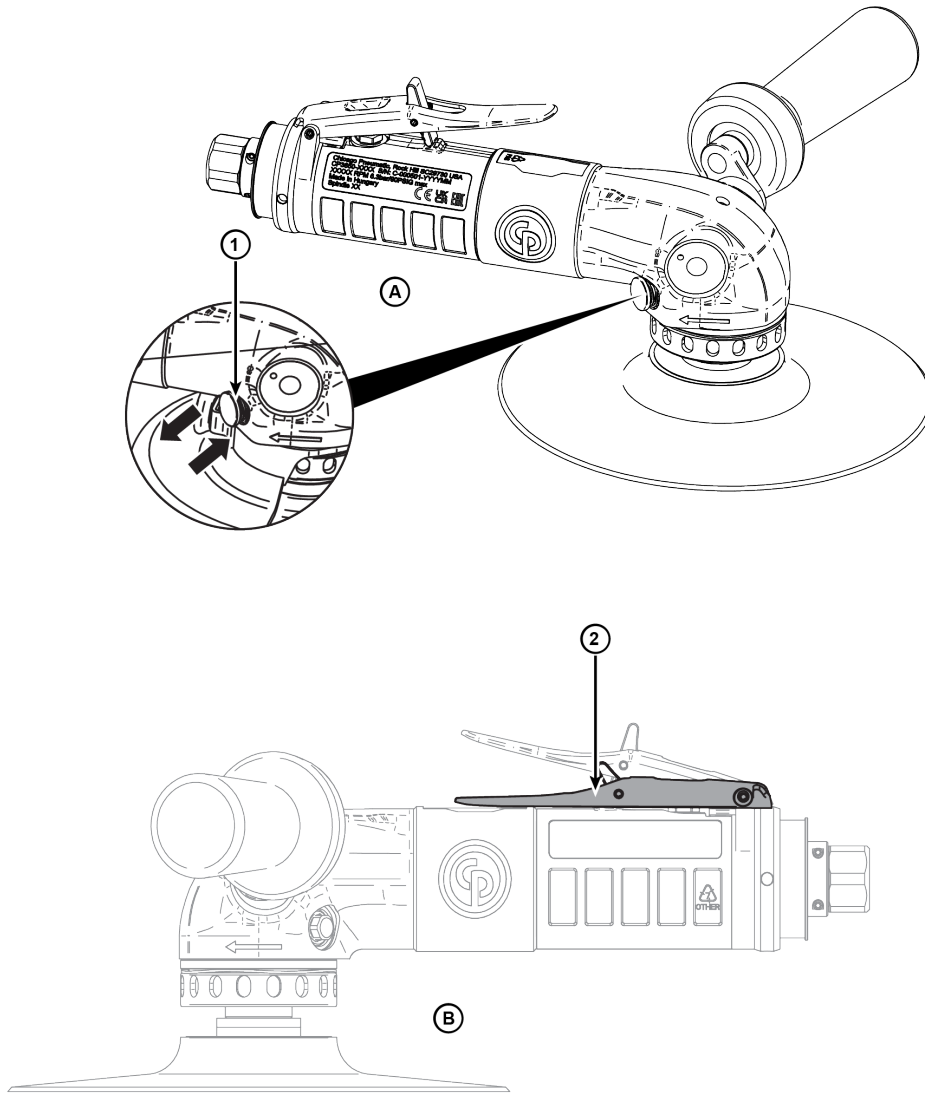
Table 2

Models	CP3650-085AA	CP3650-075AB
Power (W)	1800	1800
Length (mm)	247.5	247.5
Length (inch)	9.7	9.7
Width (mm)	68	68
Width (inch)	2.6	2.6
Height (mm)	90	94
Height (inch)	3.5	3.7
Side to Center (mm)	34	34
Net Weight (kg)	1.8	1.8
Net Weight (lb)	4	4
Actual Air Consumption (l/s)	29.8	26.8
Free Speed Air Consumption (l/s)	17.6	13.1
Air Inlet Thread Size (inch)	3/8	3/8
Min. Hose Size [5 m hose length] (mm)	13	13
Sound Pressure dB(A)	93	90
Sound Power dB(A)	104	101
Vibration ISO	ISO-28927-3	ISO-28927-3
Vibration m/s ²	2.3	2
Vibration Uncertainty (K) (m/s ²)	1.5	1.2
Spindle Thread	M14	5/8-11 UNC
Free Speed (rpm)	8500	7500

Schema 2



Schema 3



Schema 4

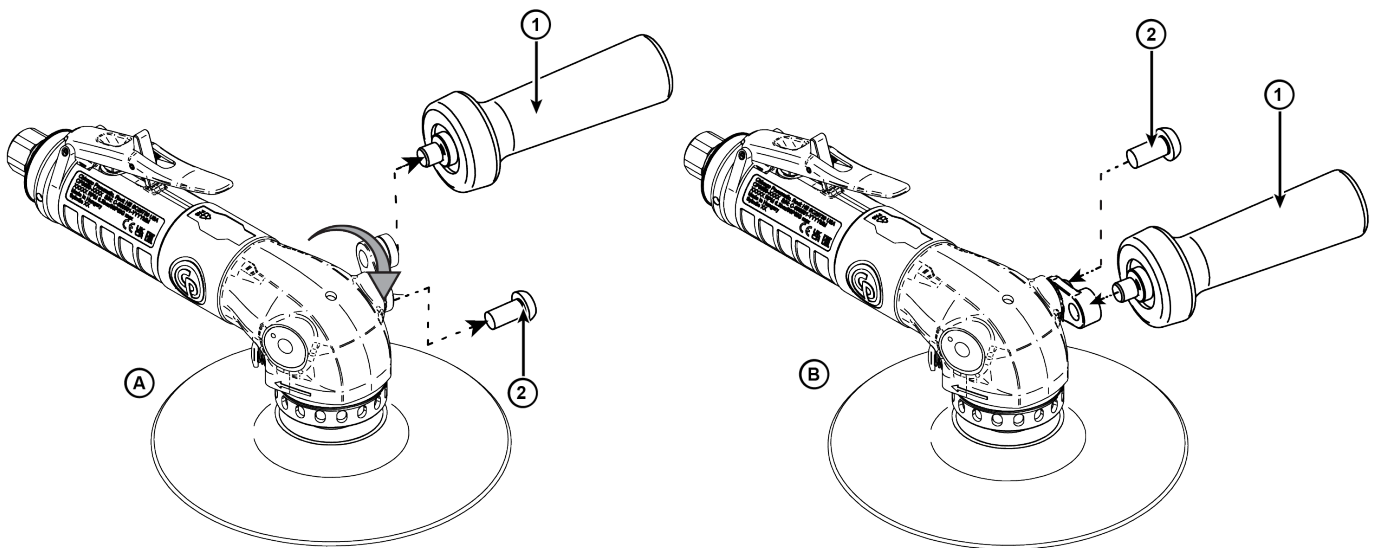


Table of Contents

EN	Safety Information.....	6
FR	Informations concernant la sécurité	10
DE	Sicherheitshinweise.....	14
ES	Información sobre seguridad.....	19
PT	Informação de Segurança.....	24
IT	Informazioni sulla sicurezza.....	28
NL	Veiligheidsinformatie.....	33
DA	Sikkerhedsoplysninger	37
NO	Sikkerhetsinformasjon.....	42
FI	Turvallisuustiedot.....	46
EL	Πληροφορίες για την ασφάλεια	50
SV	Säkerhetsinformation	55
RU	Информация по технике безопасности	59
PL	Informacje dotyczące bezpieczeństwa	65
SK	Bezpečnostné informácie	69
CS	Bezpečnostní informace	74
HU	Biztonsággal kapcsolatos tudnivalók	78
SL	Varnostne informacije.....	83
RO	Informații privind siguranța	87
TR	Güvenlik bilgileri	91
BG	Информация за безопасност.....	96
HR	Sigurnosne informacije	101
ET	Ohutus informatsioon.....	105
LT	Saugos informacija.....	109
LV	Drošības informācija	113
ZH	安全信息.....	118
JA	安全情報.....	121
KO	안전 정보.....	125

Technical Data

Tool Data

Models	Free speed (rpm)	Weight (kg)	Weight (lb)
CP3650-120AB	12000	1.8	4
CP3650-120AA	12000	1.8	4
CP3650-085AB	8500	1.8	4
CP3650-085AA	8500	1.8	4
CP3650-075AB	7500	1.8	4

Maximum working pressure

6.3 bar / 90 psig

Declarations

EU Declaration of Conformity

We, CHICAGO PNEUMATIC Tool Co.LLC, 1815 Clubhouse Road, Rock Hill, SC 29730 - USA, declare under our sole responsibility that the product (with name, type, and serial number, see the front page) is in conformity with the following Directive (s):



2006/42/EC (17/05/2006)

Harmonized standards applied:
EN ISO 11148-8:2011

Authorities can request relevant technical information from:

Pascal Roussy, R&D Manager, Ets Georges Renault, 38 rue Bobby Sands, BP10273 44818 Saint Herblain, France

Saint-Herblain, 2023/06/05

Pascal ROUSSY

Signature

UK Declaration of Conformity

We, CHICAGO PNEUMATIC Tool Co.LLC, 1815 Clubhouse Road, Rock Hill, SC 29730 - USA, declare under our sole responsibility that the product (with name, type and serial number, see front page) is in conformity with the following UK Regulation(s):



Supply of Machinery (Safety) Regulations 2008

Designated Standards applied:

EN ISO 11148-8:2011

Saint-Herblain, 2023/06/05

Pascal ROUSSY

Signature

Authorities can request relevant technical information from:

UK Authorized Representative:

Air Compressors & Tools Ltd
Unit 5 Westway 21
Chesford Grange, Woolston,

Warrington, WA1 4SZ

UK

Contact: M.Taylor

Noise and Vibration Declaration Statement

Sound Level - ISO 15744

Model	L _p A dB(A)	L _W A dB(A)
CP3650-120AB	93	104
CP3650-120AA	93	104
CP3650-085AB	93	104
CP3650-085AA	93	104
CP3650-075AB	90	101

L_pA dB(A): sound pressure level

L_WA dB(A): sound power level

K / K_pA = K_WA = 3 dB: uncertainty

Vibration Level -ISO 28927-2

Model	Vibration (m/s ²)
CP3650-120AB	2.6
CP3650-120AA	2.6
CP3650-085AB	2.3
CP3650-085AA	2.3
CP3650-075AB	2

These declared values were obtained by laboratory type testing in accordance with the stated standards and are suitable for comparison with the declared values of other tools tested in accordance with the same standards. These declared values are not adequate for use in risk assessments and values measured in individual work places may be higher. The actual exposure values and risk of harm experienced by an individual user are unique and depend upon the way the user works, the workpiece and the workstation design, as well upon the exposure time and the physical condition of the user.

We, CHICAGO PNEUMATIC Tool Co.LLC, cannot be held liable for the consequences of using the declared values, instead of values reflecting the actual exposure, in an individual risk assessment in a work place situation over which we have no control.

This tool may cause hand-arm vibration syndrome if its use is not adequately managed. An EU guide to managing hand-arm vibration can be found by accessing <http://www.pneurop.eu/index.php> and selecting 'Tools' then 'Legislation'.

We recommend a programme of health surveillance to detect early symptoms which may relate to noise or vibration exposure, so that management procedures can be modified to help prevent future impairment.

- ⓘ If this equipment is intended for fixtured applications: The noise emission is given as a guide to the machine-builder. Noise and vibration emission data for the complete machine should be given in the instruction manual for the machine.

Regional Requirements

⚠ WARNING

This product can expose you to chemicals including lead, which is known to the State of California to cause cancer and birth defects or other reproductive harm. For more information go to

<https://www.p65warnings.ca.gov/>

Safety

DO NOT DISCARD - GIVE TO USER

⚠ WARNING Read all safety warnings, instructions, illustrations and specifications provided with this power tool.

Failure to follow all instructions listed below may result in electric shock, fire, and/or serious injury.

Save all warnings and instructions for future reference.

⚠ WARNING All locally legislated safety rules regarding installation, operation and maintenance shall be respected at all times.

Statement of Use

- For professional use only.
- This product and its accessories must not be modified in any way.
- Do not use this product if it has been damaged.
- If the product data or hazard warning signs on the product cease to be legible or become detached, replace without delay.
- The product must only be installed, operated and serviced by qualified personnel in an industrial environment.

Intended Use

This product is designed for removing or polishing material using coated abrasives or polishing attachments. No other use permitted.

General safety instructions

ⓘ Additional safety information regarding portable air tools:

- CAGI 2528 - B186.1, SAFETY CODE FOR PORTABLE AIR TOOLS, available from Global Engineering Documents at <https://global.ihs.com/> or call +1 800 447-2273. In case of difficulty in obtaining ANSI standards, contact ANSI via <https://www.ansi.org/>

Air supply and connection hazards

- Air under pressure can cause severe injury.
- Always shut off air supply, drain hose of air pressure and disconnect the tool from air supply when not in use, before changing accessories or when making repairs.
- Never direct air at yourself or anyone else.

- Whipping hoses can cause severe injury. Always check for damaged or loose hoses and fittings.
- Do not use quick disconnect couplings at tool. See instructions for correct set up.
- Whenever universal twist couplings are used, lock pins must be installed.
- Do not exceed maximum air pressure of 6.3 bar / 90 psig, or as stated on tool nameplate.

Finger guard check (optional feature refer to spare part list)

- Use the recommended finger guard and make sure that it is not damaged.
- Put the finger guard between your hand and sanding pad.
- Check the finger guard is properly secured.

Entanglement hazards

- Keep away from moving sanding pad. Note that the abrasive will continue to run after the start valve has closed; for dual action sanders, this can last several seconds.
- Choking, scalping and / or lacerations can occur if loose clothing, gloves, jewellery, neck ware and hair are not kept away from tool and accessories.

Projectile hazards

- Failure of the accessory or abrasive, or of the workpiece, can generate high-velocity projectiles. Even small projectiles can injure eyes and cause blindness.
- Always wear impact-resistant eye and face protection when involved with or near the operation, repair or maintenance of the tool or changing accessories on the tool.
- Be sure all others in the area are wearing impact-resistant eye and face protection.
- Daily measure the speed of a rotary sander or polisher with a tachometer to make sure that it is not greater than the RPM marked on the backing pad, drum or abrasive.
- Ensure that the backing pad / abrasive is securely clamped to the sander using the tools provided.
- Ensure that the workpiece is securely fixed.

Accessory hazards

- Always shut off air supply, relieve hose of air pressure and disconnect tool from air supply when changing accessories.
- Use only recommended sizes and types of abrasives.
- Never use a backing pad, drum or abrasive with a permitted speed lower than the air sander speed.
- Never mount a grinding or cutting-off wheel on a sander. A grinding wheel that bursts can cause severe injury or death when not properly guarded.
- Use only coated abrasive sanding discs or sheets properly secured to the backing pad provided with the air sander. Ensure that self-fixing sanding discs are mounted concentrically.

Operating hazards

- Operators and maintenance personnel must be physically able to handle the bulk, weight and power of the tool.
- Hold the tool correctly: be ready to counteract normal or sudden movements – have both hands available.

- You can be cut, pinched or burned if you come into contact with the sanding pad, abrasive or the work surface. Avoid contact and wear suitable gloves to protect your hands.
- Inspect the backing pad before each use. Do not use it, if cracked or broken, or if it has been dropped.
- Never run the tool unless the abrasive is applied to the workpiece.
- There is a risk of electrostatic discharge if used on plastic and other non-conductive materials.
- When using a tool that is designed to have a guard, the guard should be in place to offer protection from grinding swarf and other debris.

Repetitive motion hazards

- When using a power tool to perform work-related activities, the operator might experience discomfort in the hands, arms, shoulders, neck, or other body parts.
- Adopt a comfortable posture whilst maintaining secure footing and avoiding awkward or off-balance postures. Changing posture during extended tasks can help avoid discomfort and fatigue.
- Do not ignore symptoms such as persistent or recurring discomfort, pain, throbbing, aching, tingling, numbness, burning sensation, or stiffness. Stop using the tool, tell your employer and consult a physician.

Noise and Vibration hazards

- High sound levels can cause permanent hearing loss and other problems such as tinnitus. Use hearing protection as recommended by your employer or occupational health and safety regulations.
- Exposure to vibration can cause disabling damage to the nerves and blood supply of the hands and arms. Wear warm clothing and keep your hands warm and dry. If numbness, tingling, pain or whitening of the skin occurs, stop using tool, tell your employer and consult a physician.
- Hold the tool in a light but safe grip because the risk from vibration is generally greater when the grip force is higher. Where possible support the weight of the tool with a balancer.
- To prevent unnecessary increases in noise and vibration levels:
 - Operate and maintain the tool, and select, maintain and replace the accessories and consumables, in accordance with this instruction manual;
 - Use damping materials to prevent workpieces from “ringing.”

Workplace hazards

- Slip/Trip/Fall is a major cause of serious injury or death. Be aware of excess hose left on the walking or work surface.
- Avoid inhaling dust or fumes or handling debris from the work process which can cause ill health (for example, cancer, birth defects, asthma and/or dermatitis). Use dust extraction and wear respiratory protective equipment when working with materials that produce airborne particles.

- Some dust is created by power sanding, sawing, grinding, drilling and other construction activities contain chemicals known to the State of California to cause cancer and birth defects or other reproductive harm. Some examples of these chemicals are:

- Lead from lead-based paints
- Crystalline silica bricks and cement and other masonry products
- Arsenic and chromium from chemically-treated rubber

Your risk from these exposures varies, depending on how often you do this type of work. To reduce your exposure to these chemicals: work in a well-ventilated area, and work with approved safety equipment, such as dust masks that are specially designed to filter out microscopic particles.

- Proceed with care in unfamiliar surroundings. Hidden hazards may exist, such as electricity or other utility lines.
- Potentially explosive atmospheres can be caused by dust and fumes resulting from sanding or grinding. Always use dust extraction or suppression systems which are suitable for the material being processed.
- This tool is not intended for use in potentially explosive atmospheres and is not insulated from coming into contact with electric power.

Product Specific Instructions

General Operation Safety

Before Starting to Work

1. Free speed check
 - The speed, measured at a pressure of 6.3 bars / 90 PSIG, must not be higher than the rated speed marked on the sander.
 - Remove the backing pad and outer flange before doing the free speed check.
 - Do free speed checks daily, especially after a long period of no use.
 - Make sure that the speed marking on the tool is readable.
 - Return the tool for repair when it is over-speeding.
2. Trigger check
 - Make sure that the trigger works correctly.
 - Replace the trigger if it does not work correctly.
 - Never remove the trigger or lock it with tape.
3. Maximum speed check
 - Make sure that the stated maximum speed of the backing pad and abrasive sheet is higher than or equal to the speed marked on the sander.

4. Backing pad check
 - Make sure that the backing pad is not cracked or damaged.
 - Make sure that the backing pad has the correct hole dimensions and is attached correctly to the spindle to prevent unbalanced vibrations.
 - Remove and replace damaged backing pad immediately.
5. Flange and backing pad check
 - Always disconnect the air supply when changing the backing pad or abrasive sheet, or adjusting the tool.
 - Make sure that the flange and pad combinations correspond to national regulations.
 - Make sure that the flange is clean and not damaged.
 - Attach the flange with the recommended tightening torque.
 - Do a test-run of the sander in a protected area after assembly of the backing pad.
 - Make sure that the sander works correctly.
6. Personal protection equipment:

Make sure the operators use:

 - Eye protection, goggles or a visor.
 - Ear protection
 - Gloves
 - Steel toe-capped shoes
 - Protective clothing, such as a leather apron.
 - A helmet (for heavier applications)
 - Do not use loosely hanging clothing, hair or jewellery (risk of getting caught).
7. Working area

Make sure that the working area is kept free from other people so that no one can get injured.

 - People nearby must wear hearing and eye protection.
 - Make sure that the ventilation and dust extraction from the premises are sufficient.
 - Make sure that there is a stand or a place available to put the tool safely.
 - Work within a sealed-off area, with protective walls if possible. There is a risk that broken backing pads fly off.

During Work

Stop using the tool if abnormally loud noises and vibrations occur during use.

This tool and its accessories must not be modified in any way.

Operation

Installation / Operation

Refer Schema 3.

1. Always ensure that the machine is disconnected from energy source to avoid accidental operation.
2. Fix the accessories properly to the machine. Use spindle lock (1) to help changing accessories.
3. Connect device to a clean and dry air supply.
4. Adjust air pressure regulator to have 6.3 bar / 90 PSIG at the tool.
5. Use an air line lubricator with SAE #10 oil, adjusted to two drops per minute.
6. To start the machine, unlock and press the safety lever (2). Release the safety lever to stop.

Rotating the Handle

Refer Schema 4.

1. Always ensure that the machine is disconnected from energy source to avoid accidental operation.
2. Remove the handle (1).
3. Remove the screw (2).
4. Rotate the bracket (3) to the desired position.
5. Tighten the screw (2).
6. Install the handle (1).

After the work is finished

⚠ WARNING The stopping time may be longer than 5 seconds.

- ▶ Make sure that the tool is switched off and has come to a complete stop before it is laid down.
- ▶ The stopping time is dependent on the abrasive used.

Put down the tool carefully to ensure that the tool will not start by itself/on its own.

Service and Maintenance

Maintenance instructions

- Follow the environmental regulations of the local country for safe handling and disposal of all components.
- Maintenance and repair work must be carried out by qualified personnel by using only original spare parts. Contact the manufacturer or your nearest authorized dealer for advice on technical service or if you require spare parts.
- Always ensure that the machine is disconnected from energy source to avoid accidental operation.
- Disassemble and inspect the tool every three 3 months (500 hours) if the tool is used every day. Replace damaged or worn parts.
- To keep downtime to a minimum, the following service kit is recommended: **Tune-up kit**

Disposal

- The legislation of the respective country must be followed for the disposal of this equipment.
- All damaged, badly worn or improperly functioning devices **MUST BE TAKEN OUT OF OPERATION.**

Useful Information

Safety Data Sheet

The Safety Data Sheets describe the chemical products sold by Chicago Pneumatic.

Please consult the Chicago Pneumatic website for more information qr.cp.com/sds.

Country of Origin

Hungary

Website

Information concerning our Products, Accessories, Spare Parts and Published Matters can be found on the Chicago Pneumatic website.

Please visit: www.cp.com.

Copyright

© Copyright 2023, CHICAGO PNEUMATIC Tool Co.LLC, 1815 Clubhouse Road, Rock Hill, SC 29730 - USA

All rights reserved. Any unauthorized use or copying of the contents or part thereof is prohibited. This applies in particular to trademarks, model denominations, part numbers, and drawings. Use only authorized parts. Any damage or malfunction caused by the use of unauthorized parts is not covered by Warranty or Product Liability.

Caractéristiques techniques

Données de l'outil

Modèles	Vitesse à vide (tr/min)	Poids (kg)	Poids (lb)
CP3650-120AB	12000	1.8	4
CP3650-120AA	12000	1.8	4
CP3650-085AB	8500	1.8	4
CP3650-085AA	8500	1.8	4
CP3650-075AB	7500	1.8	4

Pression de service maximum

6.3 bar / 90 psig

Déclarations

Déclaration de conformité UE

Nous, CHICAGO PNEUMATIC Tool Co.LLC, 1815 Clubhouse Road, Rock Hill, SC 29730 - USA, déclarons sous notre seule et entière responsabilité que le produit (dont le nom, le type et le numéro de série figurent en première page) est en conformité avec la ou les directives suivantes :

2006/42/EC (17/05/2006)



Normes harmonisées appliquées :

EN ISO 11148-8:2011

Les autorités peuvent obtenir les informations techniques pertinentes en s'adressant à :
Pascal Roussy, R&D Manager, Ets Georges Renault, 38 rue Bobby Sands, BP10273 44818 Saint Herblain, France

Saint-Herblain, 2023/06/05

Pascal ROUSSY

Signature

Déclaration relative au bruit et aux vibrations

Niveau sonore - ISO 15744

Modèle	L _{pA} dB(A)	L _{WA} dB(A)
CP3650-120AB	93	104
CP3650-120AA	93	104
CP3650-085AB	93	104
CP3650-085AA	93	104
CP3650-075AB	90	101

L_{pA} dB(A) : niveau de pression acoustique

L_{WA} dB(A) : niveau de puissance acoustique

K / K_{pA} = K_{WA} = 3 dB : incertitude

Niveau de vibrations - ISO 28927-2

Modèle	Vibration (m/s ²)
CP3650-120AB	2.6
CP3650-120AA	2.6
CP3650-085AB	2.3
CP3650-085AA	2.3
CP3650-075AB	2

Les valeurs déclarées ont été obtenues lors d'essais de type réalisés en laboratoire, conformément aux standards établis et peuvent faire l'objet de comparaisons avec les valeurs déclarées d'autres outils testés selon les mêmes standards. Les valeurs déclarées ne peuvent être utilisées dans le cadre d'une estimation des risques et les valeurs relevées sur des postes de travail individuels peuvent s'avérer supérieures. Les valeurs d'exposition réelles et le risque de nuisance pour un utilisateur individuel sont uniques et dépendent de la manière dont l'utilisateur travaille, de la pièce usinée, de l'organisation du poste de travail en lui-même ; ils dépendent également de la durée d'exposition et de la condition physique de l'utilisateur.

Notre société, CHICAGO PNEUMATIC Tool Co.LLC, ne peut en aucun cas être tenue responsable des conséquences de l'utilisation des valeurs déclarées à la place des valeurs reflétant l'exposition réelle dans l'évaluation des risques individuels dans un lieu de travail sur lequel nous n'avons aucun contrôle.

Cet outil peut causer un syndrome de vibrations main-bras s'il est mal utilisé. Un guide européen de gestion des vibrations main-bras est disponible sur le site <http://www.pneurop.eu/index.php> en sélectionnant « Tools » puis « Legislation ».

Nous recommandons la mise en place d'un programme de surveillance médicale afin de détecter les premiers symptômes qui pourraient être dus à une exposition aux vibrations ; les procédures de gestion pourraient alors être modifiées pour éviter une future déficience.

- ❗ Si ce matériel est destiné aux applications embarquées :
Le niveau sonore est donné à titre indicatif à l'intention du constructeur de machines. Les données de niveau sonore et de vibrations pour la machine complète devront figurer dans le manuel d'utilisation de cette dernière.

Spécificités régionales

⚠️ AVERTISSEMENT

Ce produit peut vous exposer à des produits chimiques comme le plomb qui est reconnu par l'État de Californie comme cancérigène et causant des malformations congénitales ou autres anomalies de la reproduction. Pour de plus amples informations

<https://www.p65warnings.ca.gov/>

Sécurité

NE PAS JETER - REMETTRE À L'UTILISATEUR

⚠️ AVERTISSEMENT Lire l'ensemble des mises en garde et consignes de sécurité ainsi que les illustrations et les caractéristiques techniques fournies avec cet outil électrique.

Le non-respect de toutes les instructions répertoriées ci-dessous peut entraîner un choc électrique, un incendie et/ou un grave accident corporel.

Conservé l'ensemble des mises en garde et consignes pour pouvoir les consulter ultérieurement.

⚠️ AVERTISSEMENT Toutes les réglementations locales de sécurité en matière d'installation, d'utilisation et de réparation doivent toujours être respectées.

Utilisation prévue

- Pour utilisation professionnelle uniquement.
- Ce produit et ses accessoires ne doivent être modifiés en aucune manière.
- Ne pas utiliser ce produit s'il a subi des dégâts.
- Si les vignettes apposées sur le produit pour indiquer les données du produit ou des mises en garde ne sont plus lisibles ou se décollent, les remplacer sans attendre.
- Le produit ne doit être installé que par un personnel qualifié, dans un environnement industriel.

Utilisation prévue

Ce produit est conçu pour l'enlèvement de matière et le polissage à l'aide d'abrasifs appliqués ou d'accessoires de polissage. Aucune autre utilisation n'est autorisée.

Consignes générales de sécurité

❗ Informations de sécurité supplémentaires concernant les outils pneumatiques portables :

- CAGI 2528 - B186.1, CODE DE SÉCURITÉ POUR LES OUTILS PNEUMATIQUES PORTABLES, disponible auprès de Global Engineering Documents sur <https://global.ihs.com/> ou par téléphone au +1 800 447-2273. Si vous avez des problèmes à obtenir les normes ANSI, veuillez contacter ANSI à <https://www.ansi.org>.

Dangers liés à l'alimentation en air et aux branchements

- L'air sous pression peut provoquer de graves blessures.
- Toujours arrêter l'alimentation en air, évacuer l'air sous pression contenu dans le flexible et débrancher l'outil du circuit d'alimentation en air lorsqu'il n'est pas utilisé, avant de changer d'accessoire ou avant d'effectuer des réparations.
- Ne jamais diriger le jet d'air vers soi ou vers quelqu'un d'autre.
- Le fouettement des tuyaux souples peut provoquer de graves blessures. Toujours vérifier que les tuyaux souples et les raccords ne sont ni endommagés ni desserrés.
- N'utilisez pas de raccord à débranchement rapide sur l'outil. Effectuer l'installation conformément aux instructions.
- Chaque fois que des raccords universels sont utilisés, il faut installer des goupilles de verrouillage.
- Ne pas dépasser la pression d'air maximale de 6,3 bars / 90 psi relatifs ou la pression indiquée sur la plaque signalétique de l'outil.

Vérification du protège-doigts (en option, se référer à la nomenclatures de pièces détachées)

- Utiliser le protège-doigts recommandé et s'assurer qu'il n'est pas endommagé.
- Placer le protège-doigts entre votre main et le plateau de ponçage.
- Vérifier que le protège-doigts est fixé correctement.

Risques de happement

- Ne pas s'approcher du plateau de ponçage en mouvement. Noter que l'abrasif continue à tourner après la fermeture de la vanne de démarrage ; pour les ponceuses à double action, ceci peut durer plusieurs secondes.
- Il existe un risque d'étranglement, d'arrachement du cuir chevelu ou de lacérations si les vêtements amples, gants, bijoux, articles portés autour du cou et cheveux ne sont pas tenus à distance de l'outil et des accessoires.

Risques de projections

- La rupture de l'accessoire ou de l'abrasif ou celle de la pièce usinée peuvent éjecter des projectiles à grande vitesse. Même de petits projectiles peuvent abîmer les yeux et provoquer une cécité.
- Toujours porter une protection des yeux et du visage résistante aux chocs pour travailler avec l'outil ou à proximité, pour les réparations ou l'entretien de l'outil ou pour changer des accessoires.

- Veillez à ce que toutes les personnes se trouvant à proximité portent une protection des yeux et du visage résistante aux chocs.
- Mesurer chaque jour avec un tachymètre la vitesse de rotation de la ponceuse ou de la polisseuse pour s'assurer qu'elle n'excède pas la vitesse (tr/min) inscrite sur le plateau ou l'abrasif.
- Veiller à fixer le plateau de ponçage ou l'abrasif correctement sur la ponceuse à l'aide des outils fournis.
- S'assurer que la pièce à travailler est solidement fixée.

Risques liés à la manipulation des accessoires

- Toujours couper l'alimentation en air, dépressuriser le flexible et débrancher l'outil de l'alimentation en air lors du changement d'accessoire.
- Utiliser uniquement des abrasifs de la taille et du type recommandés.
- Ne jamais utiliser de plateau ou d'abrasif ayant une vitesse nominale autorisée inférieure à la vitesse de la ponceuse pneumatique.
- Ne jamais monter de disque à meuler ou à tronçonner sur une ponceuse. L'éclatement d'un disque peut provoquer des accidents graves voire mortels.
- N'utiliser que des disques de ponçage à abrasif enrobé correctement fixés sur le plateau de ponçage fourni avec la ponceuse pneumatique. S'assurer que les disques de ponçage adhésifs sont montés de manière bien concentrique.

Risques pendant l'utilisation

- Les utilisateurs et le personnel d'entretien doivent être physiquement capable de manier l'outil qui peut être encombrant, lourd et puissant.
- Prise en main correcte de l'outil : se tenir prêt à contrecarrer des mouvements normaux ou brusques - garder les deux mains libres pour maîtriser l'outil.
- Vous risquez de vous couper, vous pincer ou vous brûler en cas de contact avec le patin de ponçage, l'abrasif ou la surface de travail. Évitez tout contact et portez des gants adaptés pour protéger vos mains.
- Vérifier l'état du plateau de ponçage avant chaque utilisation. Ne pas l'utiliser s'il est fissuré ou cassé ou s'il est tombé.
- Ne démarrer l'outil que lorsque l'abrasif repose contre la pièce.
- Il existe un risque de décharge électrostatique si l'outil est utilisé sur du plastique et sur d'autres matériaux non-conducteurs.
- Si vous utilisez un outil conçu pour être équipé d'un carter de protection, ce dernier doit être installé afin de protéger des copeaux de ponçage et autres débris.

Dangers liés aux mouvements répétitifs

- Lorsqu'il utilise un outil motorisé pour effectuer un travail, l'opérateur peut ressentir un inconfort au niveau des mains, des bras, des épaules, du cou ou d'autres parties du corps.

- Adopter une posture confortable tout en gardant de bons appuis et en évitant les mauvaises positions ou les positions déséquilibrées. Changer de posture pendant la réalisation de tâches prolongées peut contribuer à éviter l'inconfort et la fatigue.
- Ne pas ignorer les symptômes tels qu'un inconfort persistant ou récurrent, des douleurs, élancements, maux divers, fourmillements, engourdissements, une sensation de brûlure ou une raideur. Cesser d'utiliser l'outil, avertir l'employeur et consulter un médecin.

Dangers liés au bruit et aux vibrations

- Les niveaux sonores élevés peuvent provoquer une perte d'acuité auditive permanente ou d'autres problèmes tels que des acouphènes. Utiliser les protections auditives recommandées par l'employeur ou par la réglementation en matière d'hygiène et de sécurité au travail.
- L'exposition aux vibrations peut occasionner des lésions nerveuses handicapantes et empêcher le passage du sang aux mains et aux bras. Porter des vêtements chauds et garder les mains au chaud et au sec. Si des sensations d'engourdissement, de fourmillement, des douleurs ou une décoloration de la peau apparaissent, cesser immédiatement d'utiliser l'outil, avertir l'employeur et consulter un médecin.
- Tenir l'outil d'une main légère mais sûre : le risque des vibrations est en effet généralement plus grand lorsque l'on exerce une force de préhension plus importante. Dans la mesure du possible, supporter le poids de l'outil avec un compensateur.
- Pour prévenir toute augmentation inutile du niveau sonore et des vibrations :
 - exploiter et entretenir l'outil et procéder au choix, à l'entretien et au remplacement des accessoires et consommables conformément à la présente notice d'utilisation ;
 - Utiliser des matériaux d'amortissement pour empêcher les pièces travaillées de « décrire des cercles ».

Dangers liés au lieu de travail

- Les glissades, trébuchements ou chutes sont une cause majeure d'accidents corporels graves voire mortels. Penser à la surlongueur de flexible restant dans le passage ou dans l'aire de travail.
- Éviter d'inhaler les poussières ou vapeurs ou de manipuler les débris provenant des travaux qui peuvent provoquer des maladies (par exemple cancer, problèmes respiratoires, asthme ou dermatite). Utiliser des équipements d'extraction des poussières et porter des équipements de protection respiratoire pour travailler avec des matériaux qui produisent des particules en suspension.
- Certaines poussières créées par ponçage mécanisé, sciage, meulage, perçage et autres travaux de construction contiennent des substances chimiques qui sont reconnues comme pouvant provoquer des cancers, des anomalies congénitales et autres problèmes de reproduction. Parmi ces substances chimiques, on trouve :
 - le plomb provenant des peintures au plomb ;
 - la silice cristalline présente dans les briques, le ciment et autres matériaux de maçonnerie ;

- l'arsenic et le chrome provenant des caoutchoucs traités chimiquement.

Le risque lié à l'exposition à ces substances varie en fonction de la fréquence à laquelle on effectue ce type de travaux. Pour réduire l'exposition à ces substances chimiques : travailler dans des endroits correctement ventilés et avec des équipements de sécurité homologués tels que des masques anti-poussière spécialement conçus pour filtrer les particules microscopiques.

- Procéder avec précautions dans un environnement non familier. Des risques dissimulés peuvent exister, comme des lignes électriques ou autres canalisations.
- Les fumées et la poussière dégagées par le meulage ou le polissage peuvent créer une atmosphère potentiellement explosible. Toujours utiliser un système d'aspiration ou de suppression de la poussière compatible avec le matériau travaillé.
- Cet outil n'est pas destiné à une utilisation dans des atmosphères potentiellement explosibles et n'est pas isolé contre le contact avec le courant électrique.

Instructions spécifiques au produit

Sécurité générale de l'utilisation

Avant de commencer à travailler

1. Contrôle de la vitesse libre
 - La vitesse, mesurée à une pression de 6,3 bars / 90 PSIG, ne doit pas être supérieure à la vitesse nominale indiquée sur la ponceuse.
 - Retirer le plateau de ponçage et le flasque avant d'effectuer la vérification de la vitesse à vide.
 - Effectuer ces contrôles tous les jours, en particulier si l'outil n'a pas été utilisé récemment.
 - Vérifier que l'indication de vitesse sur l'outil est lisible.
 - En cas de survitesse, renvoyer l'outil pour le faire réparer.
2. Contrôle de la gâchette
 - S'assurer que la gâchette fonctionne correctement.
 - Remplacer la gâchette si elle ne fonctionne pas correctement.
 - Ne jamais retirer la gâchette ou la fixer avec une bande collante.
3. Contrôle de la vitesse maximum
 - S'assurer que la vitesse maximale indiquée pour le plateau de ponçage et le disque abrasif est supérieure ou égale à la vitesse mentionnée sur la ponceuse.
4. Contrôle du plateau de ponçage
 - S'assurer que le plateau de ponçage n'est pas fissuré ou endommagé.
 - S'assurer que le plateau de ponçage a un alésage adapté aux dimensions voulues et est fixé correctement sur l'arbre pour éviter les vibrations dues à un balourd.
 - Déposer et remplacer le plateau de ponçage endommagé immédiatement.
5. Contrôle de la bride et du plateau de ponçage
 - Toujours débrancher l'alimentation en air lors du changement de plateau de ponçage ou de disque abrasif ou du réglage de l'outil.
 - S'assurer que la combinaison bride-plateau correspond à la réglementation nationale.
 - S'assurer que la bride n'est pas fissurée ou endommagée.
 - Monter la bride au couple de serrage recommandé.
 - Procéder à un contrôle du fonctionnement de la ponceuse dans un endroit protégé après avoir monté le plateau de ponçage.
 - S'assurer que la ponceuse fonctionne correctement.
6. Équipement de protection individuelle :
S'assurer que les opérateurs utilisent :
 - des protections oculaires, lunettes de sécurité ou visière,
 - des protections auditives,
 - des gants,
 - des chaussures à embout acier,
 - des vêtements de protection, tablier en cuir par exemple,
 - un casque (pour les applications les plus intensives).
 - Éviter les vêtements amples et les cheveux ou bijoux qui pendent (risque de happement).
7. Zone de travail
S'assurer que personne d'autre n'entre dans la zone de travail de façon à éviter tout accident.
 - Les personnes présentes à proximité doivent porter des protections auditives et oculaires.
 - S'assurer que la ventilation et le dispositif d'extraction de poussière des locaux sont suffisants.
 - S'assurer qu'il y a un support ou un lieu disponible pour poser l'outil en toute sécurité.
 - Travailler dans une zone étanche, si possible avec des murs de protection. Il existe un risque d'éjection des plateaux de ponçage cassés.

Pendant le travail

Cesser d'utiliser l'outil si des bruits et des vibrations d'une intensité anormale se produisent en cours d'utilisation.

Ne modifier en aucun cas l'outil ou ses accessoires.

Fonctionnement

Installation / Fonctionnement

Consultez le schéma n° 3.

1. Veillez à toujours débrancher la machine de la source d'énergie pour éviter toute mise en fonctionnement accidentelle.
2. Fixer les accessoires correctement sur la machine. Utiliser le blocage d'arbre (1) pour aider au changement d'accessoires.
3. Raccorder l'appareil à une alimentation d'air propre et sec.
4. Régler le régulateur de pression pour fournir 6,3 bar / 90 PSIG à l'outil.
5. Utiliser un lubrificateur pneumatique avec de l'huile SAE #10, à un dosage de deux gouttes par minute.
6. Pour démarrer la machine, déverrouiller et appuyer sur le levier de sécurité (2). Relâcher le levier de sécurité pour l'arrêter.

Faire pivoter la poignée

Consultez le schéma n° 4.

1. Veillez à toujours débrancher la machine de la source d'énergie pour éviter toute mise en fonctionnement accidentelle.
2. Déposer la poignée (1).
3. Déposer la vis (2).
4. Faire pivoter le support (3) dans la direction voulue.
5. Serrer la vis (2).
6. Installer la poignée (1).

Lorsque le travail est terminé

AVERTISSEMENT Le temps avant l'arrêt peut durer plus de 5 secondes.

- ▶ S'assurer que l'outil est éteint et s'est entièrement arrêté avant de le poser.
- ▶ Le temps d'arrêt complet dépend de l'abrasif utilisé.

Posez l'outil avec précaution pour vous assurer que l'outil ne démarre pas tout seul.

Entretien et maintenance

Consignes de maintenance

- **Suivez les réglementations environnementales du pays local pour une manipulation et une élimination sûres de tous les composants.**
- Les travaux de maintenance et de réparation doivent être effectués par un personnel qualifié à l'aide de pièces de rechange d'origine uniquement. Contactez le fabricant ou le revendeur agréé le plus proche pour obtenir des conseils techniques ou pour tout besoin de pièces de rechange.
- Veillez à toujours débrancher la machine de la source d'énergie pour éviter toute mise en fonctionnement accidentelle.

- Démontez et contrôlez l'outil tous les trois (3) mois (500 heures) si vous l'utilisez quotidiennement. Remplacez les pièces usées ou endommagées.
- Afin de limiter au strict minimum les périodes d'immobilisation, le kit d'entretien suivant est conseillé : **Kit de réglage**

Élimination

- La législation du pays concerné doit être respectée pour la mise au rebut de cet appareil.
- Tous les appareils endommagés, sévèrement usés ou ne fonctionnant pas correctement **DOIVENT ÊTRE MIS HORS SERVICE.**

Informations utiles

Fiche de données de sécurité

Les Fiches de données de sécurité décrivent les produits chimiques vendus par Chicago Pneumatic.

Veillez consulter le site Web Chicago Pneumatic pour plus d'informations qr.cp.com/sds.

Pays d'origine

Hungary

Site web

Des informations à propos de nos Produits, Accessoires, Pièces de rechange et Documentation sont disponibles sur le site Web de Chicago Pneumatic.

Veillez consulter : www.cp.com.

Copyright

© Copyright 2023, CHICAGO PNEUMATIC Tool Co.LLC, 1815 Clubhouse Road, Rock Hill, SC 29730 - USA

Tous droits réservés. Toute utilisation non autorisée ou copie de tout ou partie du présent document est interdite. Ceci s'applique plus particulièrement aux marques de commerce, dénominations de modèles, références et schémas. Utiliser exclusivement les pièces autorisées. Tout dommage ou dysfonctionnement causé par l'utilisation d'une pièce non autorisée ne sera pas couvert par la garantie du fabricant ou la responsabilité du fait des produits.

Technische Daten

Werkzeugdaten

Modelle	Leerlauf-drehzahl (U/min)	Gewicht (kg)	Gewicht (Pfd.)
CP3650-120AB	12000	1.8	4
CP3650-120AA	12000	1.8	4
CP3650-085AB	8500	1.8	4
CP3650-085AA	8500	1.8	4

CP3650-075AB 7500 1.8 4

Maximaler Betriebsdruck

6.3 bar / 90 psig

Erklärungen**EU-Konformitätserklärung**

Wir, **CHICAGO PNEUMATIC Tool Co.LLC**, 1815 Clubhouse Road, Rock Hill, SC 29730 - USA, erklären hiermit in alleiniger Verantwortung, dass dieses Produkt (mit Bezeichnung, Typ und Seriennummer laut dem Deckblatt) die Anforderungen der folgenden Richtlinie(n) erfüllt:

2006/42/EC (17/05/2006)

Angewandte harmonisierte Normen:

EN ISO 11148-8:2011

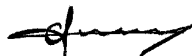
Behörden können relevante technische Informationen anfordern von:

Pascal Roussy, R&D Manager, Ets Georges Renault, 38 rue Bobby Sands, BP10273 44818

Saint Herblain, France

Saint-Herblain, 2023/06/05**Pascal ROUSSY**

Unterschrift


Statement zur Geräusch & Vibrations-Deklaration

Schallpegel – ISO 15744

Modell	L _{pA} dB(A)	L _{WA} dB(A)
CP3650-120AB	93	104
CP3650-120AA	93	104
CP3650-085AB	93	104
CP3650-085AA	93	104
CP3650-075AB	90	101

L_{pA} dB(A): SchalldruckpegelL_{WA} dB(A): SchallleistungspegelK / K_{pA} = K_{WA} = 3 dB: Unsicherheit

Vibrationspegel – ISO 28927-2

Modell	Vibration (m/s ²)
CP3650-120AB	2.6
CP3650-120AA	2.6
CP3650-085AB	2.3
CP3650-085AA	2.3
CP3650-075AB	2

Diese angegebenen Werte wurden während eines Laborversuchs gemäß der vorgegebenen Normen durchgeführt und sind zum Vergleich mit angegebenen Werten anderer Werkzeuge geeignet, welche gemäß derselben Normen geprüft wurden. Diese angegebenen Werte reichen für eine

Verwendung in der Risikobewertung nicht aus, wobei Werte gemessen an den verschiedenen Arbeitsplätzen höher liegen können. Die tatsächlichen Expositionswerte und das Gefährdungsrisiko, welchen die einzelne Bedienperson ausgesetzt ist, sind einmalig und hängen von der Arbeitsweise der Bedienperson, dem Werkstück und der Auslegung des Arbeitsplatzes ab, sowie von der Expositionsdauer und der physischen Verfassung der Bedienperson.

Wir, **CHICAGO PNEUMATIC Tool Co.LLC**, können nicht für Folgen, die sich aus der Verwendung der von uns angegebenen Werte statt der realen Belastungswerte für die Risikoeinschätzung einer Arbeitsplatzsituation ergeben, haftbar gemacht werden, da wir auf diese keinen Einfluss haben.

Dieses Werkzeug kann bei nicht angemessener Verwendung ein Hand-Arm-Vibrationssyndrom verursachen. Einen EU-Leitfaden, der sich mit Hand-Arm-Vibration befasst, finden Sie unter <http://www.pneurop.eu/index.php> und durch Auswahl von „Werkzeuge“ und „Gesetzgebung“.

Wir empfehlen ein Programm zur Gesundheitsüberwachung, durch welches frühe Symptome erkannt werden können, welche auf die Vibrationsexposition zurückgeführt werden könnten, so dass die Abläufe der Maßnahmen daraufhin so geändert werden können, dass zukünftige Beeinträchtigungen vermieden werden.

- ⓘ Wenn dieses Gerät für Einbauanwendungen vorgesehen ist:
Angaben zur Geräuschemission dienen als Richtwert für den Gerätebauer. Für das komplette Gerät geltende Geräusch- und Vibrationsemissionsdaten sollten in der zum Gerät gehörenden Bedienungsanleitung aufgeführt werden.

Regionale Anforderungen**⚠️ WARNUNG**

Dieses Produkt kann Sie Chemikalien, einschließlich Blei, aussetzen, was nach Kenntnis des Bundesstaats Kalifornien zu Krebserkrankungen und Geburtsfehlern oder sonstigen Schäden am Fortpflanzungssystem führen kann. Weitere Informationen finden Sie unter <https://www.p65warnings.ca.gov/>

Sicherheit

NICHT WEGWERFEN - AN BENUTZER WEITERLEITEN

⚠️ WARNUNG Lesen Sie alle mit diesem Elektrowerkzeug bereitgestellten Sicherheitshinweise, Anweisungen, Abbildungen und Spezifikationen.

Eine Nichtbeachtung der Anweisungen kann zu Stromschlägen, Bränden und/oder ernsthaften Verletzungen führen.

Bewahren Sie alle Warnhinweise und Anweisungen zur künftigen Verwendung auf.

⚠️ WARNUNG Alle örtlichen Vorschriften, die Installation, Bedienung und Wartung betreffen, müssen immer beachtet werden.

Nutzungserklärung

- Nur zum Gebrauch durch ausgebildete Fachkräfte.
- Dieses Produkt und sein Zubehör dürfen in keinem Fall modifiziert werden.
- Benutzen Sie dieses Produkt nicht, wenn es beschädigt ist.
- Wenn die Produktdatenschilder oder Gefahrenwarnschilder unleserlich werden oder sich ablösen, sind diese sofort zu ersetzen.
- Das Produkt darf nur von geschulten Fachkräften und nur in Industrieumgebungen installiert, bedient und gewartet werden.

Vorgesehener Verwendungszweck

Dieses Produkt ist für die Abtragung oder das Polieren von Material unter Verwendung von Fiberscheiben oder Polieranbaugeräten vorgesehen. Sonstige Verwendungen sind unzulässig.

Allgemeine Sicherheitshinweise

i Zusätzliche Sicherheitshinweise für tragbare Druckluftwerkzeuge:

- CAGI 2528 - B186.1, SICHERHEITSCODE FÜR TRAGBARE DRUCKLUFTWERKZEUGE; zu beziehen von Global Engineering Documents unter <https://global.ihs.com/> oder telefonisch unter +1 800 447-2273. ANSI-Normen können auch direkt bei ANSI unter <https://www.ansi.org/> angefordert werden.

Gefahren im Zusammenhang mit Luftversorgung und -anschlüssen

- Druckluft kann schwere Verletzungen verursachen.
- Schließen Sie stets die Luftzufuhr, lassen Sie die Druckluft aus dem Schlauch entweichen und trennen Sie das Werkzeug von der Luftzufuhr, wenn es nicht in Gebrauch ist und bevor Sie Zubehör austauschen oder Reparaturen ausführen.
- Richten Sie die Druckluft nie auf sich oder andere.
- Lose, unter Druck stehende Schläuche können schwere Verletzungen verursachen. Überprüfen Sie das Werkzeug stets auf beschädigte oder lose Schläuche und Anschlussstücke.
- Verwenden Sie bei diesem Werkzeug keine schnell lösenden Kupplungen. Beachten Sie die Anweisungen für die ordnungsgemäße Einrichtung.
- Bei Verwendung von Universal-Drehkupplungen müssen Sperrrasten montiert werden.
- Beachten Sie die Höchstgrenze für den Luftdruck von 6,3 bar (90 psig) bzw. die auf dem Typenschild des Werkzeugs angegebene Höchstgrenze.

Überprüfung des Fingerschutzes (optionale Funktion, siehe Ersatzteilliste)

- Verwenden Sie den empfohlenen Fingerschutz und stellen Sie sicher, dass dieser nicht beschädigt ist.

- Positionieren Sie den Fingerschutz zwischen Ihrer Hand und dem Schleifteller.
- Stellen Sie sicher, dass der Fingerschutz korrekt gesichert ist.

Gefahren durch Verfangen

- Halten Sie sich vom beweglichen Schleifteller fern. Bitte beachten Sie, dass nach dem Schließen des Startventils das Schleifmittel weiterläuft, da dies bei Dual Action-Schleiftellern einige Sekunden andauern kann.
- Halten Sie weite Kleidung, Handschuhe, Schmuck, Krawatten, Halstücher und Haare vom Werkzeug und Zubehör fern. Eine Verwicklung kann zur Strangulierung, Skalpierung und/oder zu Schnittwunden führen.

Gefahren im Zusammenhang mit katapultierten Bauteilen

- Fehlfunktionen der Zubehöerteile, des Schleifkörpers oder des Werkstücks können dazu führen, dass diese zu Hochgeschwindigkeitsgeschossen werden. Auch kleine Absplatterungen können Augenverletzungen und Erblindung hervorrufen.
- Tragen Sie stets schlagfeste Schutzbrillen und Gesichtsschutz, wenn Sie mit dem Werkzeug arbeiten, es warten oder reparieren, Zubehör austauschen oder sich in der Nähe der Arbeiten am oder mit dem Werkzeug aufhalten.
- Achten Sie darauf, dass andere, die sich in der Nähe des Werkzeugs aufhalten, schlagfeste Schutzbrillen und Gesichtsschutz tragen.
- Die Geschwindigkeit des rotierenden Schleiftellers oder der Schleifmaschine ist täglich mithilfe eines Tachometers zu messen und sicherzustellen, dass die Drehzahl am Stützteller / der Trommel oder dem Schleifmittel nicht überschritten wird.
- Stellen Sie sicher, dass der Stützteller / das Schleifmittel sicher an der Schmirgelschleifmaschine eingespannt ist. Hierzu die bereitgestellten Werkzeuge verwenden.
- Stellen Sie sicher, dass das Werkstück sicher fixiert ist.

Gefahren im Umgang mit dem Zubehör

- Stellen Sie immer die Druckluftzufuhr ab, lassen Sie den Druck im Schlauch ab und trennen Sie das Werkzeug von der Druckluftleitung, bevor Sie irgendwelches Zubehör austauschen.
- Verwenden Sie nur die empfohlenen Größen und Arten von Schleifmitteln.
- Verwenden Sie niemals einen Stützteller, eine Trommel oder ein Schleifmittel mit einer zulässigen Geschwindigkeit, die unter der des Luftschleifers liegt.
- Montieren Sie an der Schmirgelschleifmaschine niemals ein Schleifrad oder eine Trennschleifscheibe. Eine nicht ordnungsgemäß gesicherte Schleifscheibe kann schwere oder sogar tödliche Verletzungen verursachen.
- Verwenden Sie nur beschichtete Abrasiv-Schleifscheiben oder Schleifblätter, die ordnungsgemäß am Stützteller gesichert sind, der mit dem Luftschleifer geliefert wurde. Stellen Sie sicher, dass selbsthaftende Schleifscheiben konzentrisch angebracht sind.

Gefahren während des Betriebs

- Bedien- und Wartungspersonal muss in der körperlichen Verfassung sein, um mit Größe, Gewicht und Leistung des Werkzeugs zu Rande zu kommen.
- Das Werkzeug ordnungsgemäß halten: Stets bereit bleiben, um normale oder plötzliche Bewegungen auffangen zu können – beide Hände verfügbar verhalten.
- Beim Berühren von Schleifpads, Schleifmitteln oder Arbeitsflächen können Sie sich schneiden oder verbrennen oder einer Einklemmgefahr ausgesetzt werden. Vermeiden Sie jeglichen Kontakt und tragen Sie geeignete Schutzhandschuhe, um Ihre Hände zu schützen.
- Überprüfen Sie den Stützteller vor jeder Verwendung. Verwenden Sie ihn nicht, wenn er Risse oder Brüche aufweist oder nachdem er herabgefallen ist.
- Setzen Sie das Werkzeug niemals in Betrieb, wenn das Schleifmittel nicht am Werkstück angebracht ist.
- Bei Verwendung auf Kunststoff oder anderen nicht leitenden Materialien besteht die Gefahr einer elektrostatischen Entladung.
- Wenn ein Werkzeug verwendet wird, für das eine Schutzvorrichtung vorhanden ist, sollte diese installiert sein, um den nötigen Schutz vor Schleifspänen und sonstigen Schmutzteilen zu bieten.

Gefahren im Zusammenhang mit sich wiederholenden Bewegungen

- Im Beruf kann die Verwendung eines Elektrowerkzeugs nach längerer Zeit zu Unbehagen an Händen, Armen, Schultern, Nacken oder anderen Körperteilen führen.
- Nehmen Sie eine bequeme Stellung ein, achten Sie gleichzeitig auf einen sicheren Stand und vermeiden Sie eine schlechte oder schiefe Körperhaltung. Bei längeren Arbeiten können Unbehagen und Ermüdung sich dadurch vermeiden lassen, dass immer wieder die Körperhaltung gewechselt wird.
- Ignorieren Sie keine Symptome wie anhaltendes oder wiederkehrendes Unbehagen, Schmerzen, Pochen, Kribbeln, Gefühllosigkeit, ein brennendes Gefühl, Gelenksteifigkeit oder sonstige Beschwerden. In dem Fall die Verwendung des Werkzeugs einstellen, Ihren Arbeitgeber benachrichtigen und einen Arzt aufsuchen.

Lärm- und Schwingungsfährdung

- Hohe Geräuschpegel können zu dauerhaftem Gehörverlust und anderen Problemen wie Ohrensausen führen. Verwenden Sie Gehörschutz, wie von Ihrem Arbeitgeber oder von den Arbeitsschutzvorschriften empfohlen.
- Vibrationsbelastungen können zu Nervenschäden führen und die Durchblutung von Händen und Armen beeinträchtigen. Warme Kleidung tragen und die Hände stets warm und trocken halten. Sollten Sie Gefühllosigkeit, Kribbeln, Schmerzen oder weiße Flecken an Ihrer Haut bemerken, arbeiten Sie nicht mehr mit diesem Werkzeug, benachrichtigen Sie Ihren Arbeitgeber und wenden Sie sich an einen Arzt.
- Halten Sie das Werkzeug leicht aber sicher, da die mit Vibrationen verbundenen Risiken im Allgemeinen bei höherer Greifkraft größer sind. Stützen Sie, wenn möglich, das Werkzeug mit einem Schwingungsdämpfer ab.

- So verhindern Sie unnötige Anstiege des Lärm- und Vibrationspegels:
 - Nehmen Sie Betrieb und Wartung des Werkzeugs sowie Auswahl, Wartung und Ersatz der Zubehörteile und Verbrauchsmaterialien gemäß dieser Bedienungsanleitung vor.
 - Verwenden Sie Dämpfungsmaterialien, um die Werkstücke vor "Klingelgeräuschen" zu schützen.

Gefahren am Arbeitsplatz

- Ausrutschen, Stolpern und Stürze gehören zu den häufigsten Verletzungs- oder Todesursachen. Stellen Sie sicher, dass weder auf dem Boden noch auf der Arbeitsfläche Schläuche herumliegen, die nicht gebraucht werden.
- Vermeiden Sie das Einatmen von Staub, Rauch oder Schmutz vom Arbeitsprozess, die Krankheiten verursachen können (z. B. Krebs, Geburtsfehler, Asthma und/oder Dermatitis). Verwenden Sie bei der Arbeit mit Materialien, die Schwebstaub erzeugen, eine Staubabsauganlage und Atemschutz.
- Bestimmte Stäube, die beim Schmirgeln, Sägen, Schleifen, Bohren und bei anderen Herstellungs- und Bautätigkeiten entstehen, enthalten Chemikalien, die nach dem Informationsstand des US-Bundesstaates Kalifornien Krebs sowie embryonale Missbildungen oder sonstige Störungen der Fortpflanzungsorgane hervorrufen. Unter anderem sind folgende Chemikalien schädlich:
 - Blei aus bleihaltigen Farben und Lacken
 - Kristalliner Silikastein, Zement und sonstige Baustoffe
 - Arsen und Chrom aus chemisch behandeltem Gummi.

Das Ausmaß Ihrer Gefährdung hängt u. a. von der Häufigkeit ab, mit der Sie diesen Stoffen ausgesetzt sind. So schützen Sie sich bestmöglich gegen solche Chemikalien: Achten Sie auf eine ausreichende Belüftung des Arbeitsbereichs und arbeiten Sie mit der angebrachten Sicherheitsausrüstung wie Staubschutzmasken mit speziellen Mikropartikelfiltern.

- Arbeiten Sie in unbekanntem Umgebungen besonders vorsichtig. Auf verborgene Gefahrenquellen wie elektrische oder sonstige Versorgungsleitungen achten.
- Bei Schleif- und Schmirgelarbeiten können Staub und Dämpfe entstehen, die explosionsgefährdete Bereiche verursachen können. Verwenden Sie immer Systeme zur Staubabsaugung oder -unterdrückung, die für das bearbeitete Material geeignet sind.
- Dieses Werkzeug ist nicht zur Verwendung in potenziell explosiven Umgebungen geeignet und ist nicht elektrisch isoliert.

Produktspezifische Anweisungen

Allgemeine Betriebssicherheit

Vor dem Beginn der Arbeit

1. Prüfen der Leerlaufdrehzahl
 - Die bei einem Druck von 6,3 bar / 90 PSIG gemessene Drehzahl darf die am Schleifgerät angegebene Nenndrehzahl nicht übersteigen.
 - Vor Durchführung der Prüfung der Leerlaufdrehzahl Stützteller und äußeren Flansch entfernen.
 - Führen Sie Prüfungen der Leerlaufdrehzahl täglich und insbesondere nach längerer Nichtverwendung durch.
 - Darauf achten, dass die Drehzahlangabe auf dem Werkzeug lesbar ist.
 - Bei Überdrehzahl das Werkzeug reparieren lassen.
2. Prüfen des Auslösers
 - Sicherstellen, dass der Auslöser korrekt funktioniert.
 - Den Auslöser austauschen, wenn er nicht ordnungsgemäß funktioniert.
 - Niemals den Auslöser entfernen oder mit Klebeband fixieren.
3. Prüfen der maximalen Drehzahl
 - Sicherstellen, dass die angegebene maximale Drehzahl des Stütztellers und des Schleifblatts mindestens der am Schleifgerät angegebenen Drehzahl entspricht.
4. Prüfen des Stütztellers
 - Sicherstellen, dass der Stützteller keine Risse oder andere Schäden aufweist.
 - Sicherstellen, dass der Stützteller über den richtigen Bohrungsdurchmesser verfügt und korrekt an der Spindel befestigt wurde, damit keine Vibrationen durch Unwucht auftreten.
 - Beschädigte Stützteller sofort entfernen und ersetzen.
5. Prüfen des Flanschs und des Stütztellers
 - Beim Austauschen des Stütztellers oder des Schleifblatts oder beim Einstellen des Werkzeugs stets die Druckluftversorgung trennen.
 - Sicherstellen, dass die Flansch- und Stütztellerkombinationen den jeweiligen Landesvorschriften entsprechen.
 - Sicherstellen, dass der Flansch sauber und unbeschädigt ist.
 - Den Flansch mit dem empfohlenen Drehmoment anbringen.
 - Nach Montage des Stütztellers an einem geschützten Ort einen Probelauf des Schleifgerätes durchführen.
 - Sicherstellen, dass das Schleifgerät korrekt funktioniert.

6. Persönliche Schutzausrüstung:
Bediener müssen Folgendes tragen:
 - Augenschutz, Schutzbrille oder Gesichtsschutz
 - Gehörschutz
 - Schutzhandschuhe
 - Arbeitsschuhe mit Stahlkappe
 - Schutzkleidung, wie beispielsweise eine Leder-schürze
 - Schutzhelm (für Anwendungen mit größerer Last)
 - Keine weite Kleidung, offenes langes Haar oder Schmuck tragen (sie können sich in beweglichen Teilen verfangen).
7. Arbeitsbereich
Sicherstellen, dass sich in Ihrem Arbeitsbereich keine anderen Personen befinden, damit niemand einem Verletzungsrisiko ausgesetzt wird.
 - Personen, die sich in der Nähe aufhalten, müssen einen Gehör- und Augenschutz tragen.
 - Sicherstellen, dass die Belüftung und Staubabsaugung des Standorts ausreichend sind.
 - Sicherstellen, dass ein sicherer Aufbewahrungsort für Werkzeuge vorhanden ist.
 - Stets in einem abgesperrten Bereich arbeiten, falls möglich mit Schutzwänden. Es besteht das Risiko eines Wegfliegens von gebrochenen Stütztellern.

Während der Arbeit

Stellen Sie die Verwendung des Werkzeugs ein, falls während des Gebrauchs ungewöhnlich laute Geräusche und Vibrationen auftreten.

Werkzeug und Zubehör dürfen in keinem Fall modifiziert werden.

Bedienung

Installation / Betrieb

Siehe Schema 3.

1. Stets darauf achten, dass die Maschine von der Energiequelle getrennt ist, um ein ungewolltes Inbetriebsetzen zu vermeiden.
2. Befestigen Sie das Zubehör ordnungsgemäß an der Maschine. Verwenden Sie die Spindelverriegelung (1) für den Wechsel von Zubehörteilen.
3. Schließen Sie das Gerät an eine saubere und trockene Druckluftquelle an.
4. Stellen Sie den Luftdruckregler am Werkzeug auf 6,3 bar / 90 PSIG ein.
5. Benutzen Sie eine Druckleitungsschmierung mit Öl vom Typ SAE 10. Stellen Sie die Menge auf zwei Tropfen pro Minute ein.
6. Entriegeln und betätigen Sie den Sicherheitsstarter (2) zum Starten der Maschine. Lassen Sie den Sicherheitsstarter zum Anhalten los.

Drehen des Handgriffs

Siehe Schema 4.

1. Stets darauf achten, dass die Maschine von der Energiequelle getrennt ist, um ein ungewolltes Inbetriebsetzen zu vermeiden.
2. Den Griff (1) entfernen.
3. Die Schraube (2) entfernen.
4. Drehen Sie die Halterung (3) in die gewünschte Position.
5. Ziehen Sie die Schraube (2) fest.
6. Installieren Sie den Handgriff (1).

Nach abgeschlossener Arbeit

⚠️ WARNUNG Die Zeit bis zum Stillstand beträgt eventuell länger als 5 Sekunden.

- ▶ Stellen Sie sicher, dass das Gerät ausgeschaltet ist und zum Stillstand gekommen ist, bevor es abgelegt wird.
- ▶ Die Nachlaufzeit ist abhängig vom verwendeten Strahlmittel.

Legen Sie das Werkzeug vorsichtig ab, um sicherzustellen, dass es nicht selbstständig startet.

Instandhaltung und Wartung

Wartungsanweisungen

- Halten Sie die Umweltschutzbestimmungen für die sichere Handhabung und Entsorgung aller Komponenten des jeweiligen Landes ein.
- Wartungs- und Instandsetzungsarbeiten dürfen ausschließlich von qualifiziertem Personal und unter Verwendung von Original-Ersatzteilen durchgeführt werden. Wenden Sie sich an den Hersteller oder den nächsten offiziellen Fachhändler, wenn Sie Rat zum technischen Service oder Ersatzteile benötigen.
- Stets darauf achten, dass die Maschine von der Energiequelle getrennt ist, um ein ungewolltes Inbetriebsetzen zu vermeiden.
- Zerlegen und überprüfen Sie das Werkzeug alle 3 Monate (500 Stunden), wenn das Werkzeug täglich benutzt wird. Schadhafte oder verschlissene Teile sind zu ersetzen.
- Um die Ausfallzeiten so gering wie möglich zu halten, wird das folgende Instandhaltungskit empfohlen: **Tune-up Kit**

Entsorgung

- Bei der Entsorgung dieses Geräts müssen die gesetzlichen Regelungen des jeweiligen Landes eingehalten werden.
- Schadhafte, stark abgenutzte oder fehlerhaft funktionierende Geräte **MÜSSEN AUSSER BETRIEB GENOMMEN WERDEN.**

Nützliche Informationen

Sicherheitsdatenblatt

Die Sicherheitsdatenblätter enthalten Beschreibungen der von Chicago Pneumatic vertriebenen chemischen Produkte.

Weitere Informationen finden Sie auf der Webseite von Chicago Pneumatic unter qr.cp.com/sds.

Herkunftsland

Hungary

Website

Informationen zu unseren Produkten, Zubehör, Ersatzteilen und Veröffentlichungen finden Sie auf der Internetseite von Chicago Pneumatic.

Besuchen Sie: www.cp.com.

Copyright

© Copyright 2023, CHICAGO PNEUMATIC Tool Co.LLC, 1815 Clubhouse Road, Rock Hill, SC 29730 - USA

Alle Rechte vorbehalten. Jeglicher nicht autorisierte Gebrauch sowie das Kopieren der Inhalte ganz oder in Teilen ist verboten. Dies gilt insbesondere für Handelsmarken, Modellbezeichnungen, Artikelnummern und Zeichnungen. Verwenden Sie ausschließlich Originalbauteile. Schäden oder Fehlfunktionen, die durch den Einsatz unzulässiger Teile entstehen, sind von der Garantie oder Produkthaftung ausgeschlossen.

Datos técnicos

Datos de la herramienta

Modelos	Velocidad en vacío (rpm)	Peso (kg)	Peso (lb)
CP3650-120AB	12000	1.8	4
CP3650-120AA	12000	1.8	4
CP3650-085AB	8500	1.8	4
CP3650-085AA	8500	1.8	4
CP3650-075AB	7500	1.8	4

Presión máxima de trabajo

6.3 bar / 90 psig

Declaraciones

Declaración de conformidad UE

Nosotros, CHICAGO PNEUMATIC Tool Co.LLC, 1815 Clubhouse Road, Rock Hill, SC 29730 - USA, declaramos bajo nuestra única responsabilidad que el producto (con nombre, tipo y número de serie indicados en la primera página) es conforme a las siguientes Directivas:



2006/42/EC (17/05/2006)

Normativas armonizadas aplicadas:

EN ISO 11148-8:2011


Las autoridades pueden solicitar información técnica relevante a:

Pascal Roussy, R&D Manager, Ets Georges Renault, 38 rue Bobby Sands, BP10273 44818 Saint Herblain, France

Saint-Herblain, 2023/06/05

Pascal ROUSSY

Firma


Declaración sobre ruido y vibraciones**Nivel de acústico - ISO 15744**

Modelo	L _p A dB(A)	LWA dB(A)
CP3650-120AB	93	104
CP3650-120AA	93	104
CP3650-085AB	93	104
CP3650-085AA	93	104
CP3650-075AB	90	101

L_pA dB(A): nivel de presión acústica

LWA dB(A): nivel potencia acústica

K / K_pA = KWA = 3 dB: incertidumbre

Nivel de vibración - ISO 28927-2

Modelo	Vibración (m/s ²)
CP3650-120AB	2.6
CP3650-120AA	2.6
CP3650-085AB	2.3
CP3650-085AA	2.3
CP3650-075AB	2

Los valores declarados han sido obtenidos en ensayos de laboratorio realizados según la normativa indicada y pueden utilizarse para compararlos con los valores declarados para otras herramientas que hayan sido ensayadas siguiendo la misma normativa. Los valores declarados no se pueden utilizar para evaluación de riesgos y los valores obtenidos en cada lugar de trabajo podrían alcanzar cifras superiores. Los valores reales de exposición y de riesgo de daños para cada individuo dependen del sistema de trabajo del usuario, del diseño del puesto de trabajo y de la pieza, y también del tiempo de exposición y del estado físico del usuario.

Nosotros, **CHICAGO PNEUMATIC Tool Co.LLC**, no tenemos responsabilidad alguna por las consecuencias del uso de los valores declarados en lugar de unos valores que reflejen la exposición real, en una evaluación de riesgos individuales en una situación de trabajo sobre la que no tenemos control alguno.

Esta herramienta puede causar síndrome de vibración si su uso no se administra de forma adecuada. Puede encontrar una guía de la UE sobre cómo manejar la vibración mano-brazo accediendo a <http://www.pneurop.eu/index.php> y seleccionando "Tools" (Herramientas) y "Legislation" (Legislación).

Se recomienda mantener un programa de control sanitario de detección precoz de los síntomas relacionados con la exposición a vibraciones, con objeto de modificar los procedimientos de gestión y así evitar posibles discapacidades.

- ① Este equipo está diseñado para aplicaciones de montaje de sujeción:
La emisión de ruido se indica a modo de guía para el fabricante de la máquina. Los datos de emisiones de ruido y vibraciones de toda la máquina deberán incluirse en el manual de instrucciones de esta.

Requisitos regionales**⚠ ADVERTENCIA**

Este producto le puede exponer al plomo, considerado por el Estado de California como causante de cáncer y de malformaciones congénitas u otros daños reproductivos. Para más información visite

<https://www.p65warnings.ca.gov/>

Seguridad

CONSERVAR - ENTREGAR AL USUARIO

⚠ ADVERTENCIA Lea todas las advertencias, instrucciones, ilustraciones y especificaciones de seguridad suministradas con esta herramienta motorizada.

Si no se siguen todas las instrucciones que se indican a continuación pueden producirse descargas eléctricas, incendios o graves daños personales.

Guarde todas las advertencias e instrucciones para futuras consultas.

⚠ ADVERTENCIA Respete siempre todas las normas de seguridad relativas a la instalación, funcionamiento y mantenimiento de acuerdo a la legislación local.**Declaración de uso**

- Solo para uso profesional.
- No se debe modificar ningún aspecto de este producto ni de sus accesorios.
- No utilice este producto si está dañado.
- Si los datos del producto o las señales de advertencia de peligro en el producto dejan de ser legibles o se desprenden, sustitúyalas sin demora.
- Solo personal cualificado puede instalar, operar y realizar servicios en el producto en un entorno industrial.

Uso previsto

Este producto ha sido diseñado para la eliminación o el pulido de material utilizando abrasivos o accesorios de pulido. No se permite ningún otro uso.

Instrucciones generales de seguridad

i Información sobre seguridad adicional relacionada con las herramientas neumáticas portátiles:

- CAGI 2528 - B186.1, SAFETY CODE FOR PORTABLE AIR TOOLS, disponible en Global Engineering Documents en <https://global.ihs.com/> o llame al número +1 800 447-2273. En su defecto, para obtener una copia de las normas ANSI, contactar a ANSI en <https://www.ansi.org/>

Peligro en el suministro de aire y las conexiones

- El aire a presión puede causar lesiones graves.
- Siempre antes de realizar reparaciones o cambiar accesorios, apague el suministro de aire, drene la manguera de presión de aire y desconecte la herramienta del suministro de aire cuando no esté en uso.
- Nunca apunte la salida de aire hacia usted o hacia ninguna otra persona.
- Las mangueras de conexión pueden causar lesiones graves. Siempre debe comprobar las mangueras y los ajustes dañados o sueltos.
- No utilice en la herramientas acoplamiento de desconexión rápida. Consulte las instrucciones para realizar una instalación adecuada.
- Siempre que se utilicen acoplamiento universal de espirales, deberán instalarse pasadores de bloqueo.
- La presión de aire no puede exceder un máximo de 6,3 bar / 90 psi o según se especifique en la placa de identificación de la herramienta.

Comprobación de protector de dedos (característica opcional, consulte la lista de repuestos)

- Utilice el protector de dedos recomendado y asegúrese de que no esté dañado.
- Coloque el protector de dedos entre su mano y la almohadilla de lijado.
- Compruebe que el protector de dedos esté correctamente fijado.

Riesgos de atrapamiento

- Manténgase alejado de la almohadilla de lijado en movimiento. Tenga en cuenta que el abrasivo continuará funcionando hasta que la válvula de inicio se haya cerrado; en el caso de las lijadoras de doble acción esto puede durar varios segundos.
- Pueden producirse estrangulamientos, pérdidas de cabello y/o laceraciones si no se mantienen la ropa, las joyas, los colgantes y el pelo alejados de la herramienta y de los accesorios.

Riesgos de emisión de proyectiles

- Los fallos en el accesorio o en el abrasivo o los de la pieza de trabajo pueden generar proyectiles a gran velocidad. Incluso los proyectiles de tamaño reducido pueden producir daños oculares y ceguera.
- Utilice siempre protección facial y ocular resistente a impactos cuando esté en contacto o próximo al funcionamiento, reparación o mantenimiento de la herramienta o al cambio de accesorios de la misma.

- Asegúrese de que las otras personas que se encuentran en el área de trabajo también utilizan protección facial y ocular resistente de impactos.
- Mida a diario la velocidad de la lijadora o pulidora rotativa con un tacómetro para asegurar que no exceda las RPM indicadas en el soporte de disco, tambor o abrasivo.
- Asegúrese de que el soporte de disco / abrasivo está sujeto con seguridad a la lijadora utilizando las herramientas suministradas.
- Asegúrese de que la pieza de trabajo esté bien sujeta.

Peligros del accesorio

- Siempre cierre el suministro de aire, vacíe la manguera de presión y desconecte la herramienta del suministro de aire a la hora de cambiar accesorios.
- Solo use los tamaños y tipos de abrasivos recomendados.
- Nunca use un soporte de disco, tambor o abrasivo con una velocidad permitida más baja que la velocidad de la lijadora neumática.
- No monte muelas abrasivas o ruedas de corte en la lijadora. Una muela abrasiva puede producir lesiones graves e incluso la muerte si no dispone de las protecciones adecuadas.
- Utilice exclusivamente discos abrasivos u hojas fijadas adecuadamente al soporte provisto con la lijadora por aire. Asegúrese de que los discos auto adherentes para lijar estén montados en forma concéntrica.

Riesgos derivados del uso

- Los operarios y el personal de mantenimiento deben estar físicamente capacitados para manejar el volumen, peso y potencia de la herramienta.
- Sostenga la herramienta correctamente. Esté preparado para contrarrestar los movimientos normales o repentinos utilizando las dos manos.
- Puede sufrir cortes, pinzamientos y quemaduras si entra en contacto con la almohadilla para lijar, piezas abrasivas o la superficie de trabajo. Evite el contacto y utilice guantes para proteger las manos.
- Inspeccione la almohadilla de respaldo antes de cada uso. No la utilice si está rajada o rota, o si se ha caído.
- Nunca opere la herramienta sin haber aplicado abrasivo a la pieza en la que se trabajará.
- Existe un riesgo de descarga electrostática si se utiliza en plástico u otros materiales no conductores.
- Al utilizar una herramienta diseñada para su uso con protector, éste debe estar colocado en su sitio para ofrecer protección contra las virutas que se desprenden durante el amolado y otro tipo de partículas generadas.

Riesgos derivados por movimientos repetitivos

- Cuando se utiliza una herramienta mecánica para actividades de trabajo, el operario puede experimentar molestias en las manos, brazos, hombros, cuellos u otras partes del cuerpo.
- Adopte una postura cómoda mientras mantiene una posición firme evitando posturas extrañas o desequilibradas. Cambiar de postura durante las tareas prolongadas puede ayudar a evitar las molestias y la fatiga.

- No ignore síntomas como las molestias persistentes o recurrentes, el dolor, dolores punzantes, hormigueos, adormecimientos, sensación de quemazón o rigidez. Deje de utilizar la herramienta, informe a su superior y consulte a un médico.

Riesgos derivados del ruido y la vibración

- Los niveles sonoros elevados pueden provocar pérdida de oído permanente y otros problemas como el tinnitus. Utilice protección para los oídos siguiendo las recomendaciones de su empresa o de las normas de seguridad y salud ocupacional.
- La exposición a la vibración puede causar daños en los nervios y el suministro sanguíneo en manos y brazos. Utilice ropa de abrigo y mantenga las manos calientes y secas. Si siente adormecimiento, cosquilleo, dolor o palidez en la piel, deje de usar la herramienta, informe a su superior y consulte a un médico.
- Sujete la herramienta de forma ligera pero segura ya que el riesgo de vibraciones es normalmente superior cuando aumenta la fuerza de sujeción. Siempre que sea posible, apoye el peso de la herramienta sobre un compensador.
- Para evitar aumentos innecesarios de los niveles de ruido y vibración:
 - Utilice y mantenga la herramienta, y seleccione, mantenga y sustituya los accesorios y los consumibles, de acuerdo con este manual de instrucciones;
 - Utilice materiales de amortiguación para evitar que las piezas de trabajo "vibren".

Riesgos en el lugar de trabajo

- Resbalones, tropiezos y caídas son las causas más frecuentes de lesiones graves o muerte. Preste atención a las mangueras que se encuentren en el suelo o en la superficie de trabajo.
- Evite la inhalación de polvo y humo y la manipulación de residuos producidos en el proceso de trabajo, ya que pueden provocar enfermedades (tales como cáncer, alteraciones en el feto, asma o dermatitis). Utilice un extractor de polvo y un equipo de protección respiratorio cuando vaya a trabajar con materiales que generen partículas que se desplazan por el aire.
- Las operaciones de lijar, aserruchar, esmerilar, taladrar y otras actividades de construcción producen polvo que podría contener productos químicos que se ha demostrado en el Estado de California que causan cáncer, defectos de nacimiento u otros daños reproductivos. Algunos ejemplos de estos productos químicos son los siguientes:
 - Plomo de las pinturas con base de plomo
 - Cemento y ladrillos de sílice cristalina y otros productos de mampostería
 - Arsénico y cromo provenientes de madera químicamente tratada.

El riesgo de exposición varía de acuerdo con la frecuencia que usted realice este tipo de trabajo. Para reducir su exposición a estos productos químicos: trabaje en una área bien ventilada y con equipo de seguridad apropiado, tal como máscaras contra el polvo especialmente diseñadas para filtrar las partículas microscópicas.

- Trabajar con cuidado en lugares desconocidos. Pueden existir peligros ocultos, tales como una línea eléctrica u otras líneas de servicio.
- El polvo y los vapores liberados al lijar o rectificar pueden producir atmósferas potencialmente explosivas. Utilice un sistema de extracción o supresión de polvo adecuado para el material que está procesando.
- Esta herramienta no ha sido diseñada para ser usada en ambientes potencialmente explosivos, y no lleva aislamiento en caso de tener contacto con la energía eléctrica.

Instrucciones específicas para el producto

Seguridad general de operación

Antes de empezar a trabajar

1. Comprobación de velocidad en vacío
 - La velocidad, medida a una presión de 6,3 bares/ 90 PSIG, no debe ser superior a la velocidad nominal indicada en la lijadora.
 - Antes de realizar la comprobación de la velocidad en vacío, desmonte el soporte de disco y la brida exterior.
 - Realice comprobaciones de velocidad diariamente, en especial después de largos periodos sin utilizarlo.
 - Asegúrese de que la velocidad marcada en la herramienta permanece legible.
 - Devuelva la máquina para su reparación en caso de exceso de velocidad.
2. Comprobación del gatillo
 - Asegúrese de que el gatillo funciona correctamente.
 - Sustituya el gatillo si no funciona correctamente.
 - No retire el gatillo ni lo bloquee con cinta.
3. Comprobación de la velocidad máxima
 - Asegúrese de que la velocidad máxima indicada del soporte de disco y la hoja abrasiva sea igual o superior a la velocidad especificada en la lijadora.
4. Comprobación del soporte de disco
 - Asegúrese de que el soporte del disco no está roto ni dañado.
 - Asegúrese de que el soporte de disco tenga las dimensiones del orificio correctas y de que se acople adecuadamente en el eje para evitar vibraciones desequilibradas.
 - Retire y sustituya el soporte de disco de forma inmediata.

5. Comprobación de la brida y del soporte de disco
 - Desconecte siempre el suministro de aire cuando cambie el soporte de disco o la hoja abrasiva o ajuste la herramienta.
 - Asegúrese de que las combinaciones entre la brida y el soporte se correspondan con la normativa nacional.
 - Asegúrese de que la brida está limpia y no está dañada.
 - Sujete la brida al par de apriete recomendado.
 - Después de montar el soporte de disco, pruebe la lijadora en una zona protegida.
 - Asegúrese de que la lijadora funcione correctamente.
6. Equipo de protección personal:

Asegúrese de que los operarios utilizan:

 - Protección ocular, gafas de protección o un visor.
 - Protección auditiva
 - Guantes
 - Calzado con puntera de acero
 - Ropa de protección, como delantales de cuero.
 - Casco (para aplicaciones más peligrosas)
 - Evite que las prendas, el pelo o las joyas permanezcan sueltas (riesgo de atrapamiento).
7. Área de trabajo

Asegúrese de que no haya otras personas en el área de trabajo, de forma que nadie pueda resultar herido.

 - Las personas cercanas deben utilizar protección ocular y auditiva.
 - Asegúrese de que la ventilación y la extracción de polvo de las instalaciones sean suficientes.
 - Asegúrese de que exista un soporte o un lugar disponible para colocar la herramienta de forma segura.
 - Trabaje en una zona cerrada, con paredes de protección si es posible. Existe el riesgo de que salgan volando los soportes de disco rotos.

Durante el trabajo

Detenga el uso de la herramienta si, durante el uso, se producen vibraciones o ruidos elevados anómalos.

No se debe modificar ningún aspecto de esta herramienta ni de sus accesorios.

Funcionamiento

Instalación/funcionamiento

Consulte esquema 3.

1. Asegúrese de que la máquina esté desconectada de la fuente de energía para evitar una puesta en marcha accidental.
2. Fije los accesorios a la herramienta de forma correcta. Utilice el bloqueo de eje (1) para facilitar el cambio de accesorios.

3. Conecte el dispositivo a un suministro de aire limpio y seco.
4. Ajuste el regulador de presión de aire para obtener 6,3 bar/90 PSIG en la herramienta.
5. Utilice un lubricador de conductos de aire con aceite SAE #10, ajustado a dos gotas por minuto.
6. Para poner en marcha la máquina, desbloquee y pulse la palanca de seguridad (2). Libere la palanca de seguridad para detener la máquina.

Girar la empuñadura

Consulte Esquema 4.

1. Asegúrese de que la máquina esté desconectada de la fuente de energía para evitar una puesta en marcha accidental.
2. Desmonte la empuñadura (1).
3. Retire el tornillo (2).
4. Haga rotar el soporte (3) hasta la posición deseada.
5. Apriete el tornillo (2).
6. Instale la empuñadura (1).

Cuando ha finalizado el trabajo

⚠️ ADVERTENCIA El tiempo de parada puede ser superior a 5 segundos.

- ▶ Antes de dejar la herramienta, asegúrese de que está apagada y totalmente detenida.
- ▶ El tiempo de parada depende del abrasivo que se utilice.

Deje la herramienta con cuidado para evitar el riesgo de que se ponga en funcionamiento por sí misma.

Servicio y mantenimiento

Instrucciones de mantenimiento

- **Siga las normativas medioambientales del país local para manipular y eliminar de forma segura todos los componentes.**
- Las labores de mantenimiento y reparación deberán ser realizadas por personal cualificado utilizando únicamente recambios originales. Póngase en contacto con el fabricante o con su concesionario autorizado más cercano para obtener asesoramiento sobre servicio técnico o si necesita recambios.
- Asegúrese de que la máquina esté desconectada de la fuente de energía para evitar una puesta en marcha accidental.
- Desmonte y revise la herramienta cada tres 3 meses (500 horas) si esta se utiliza a diario. Sustituya las piezas dañadas o desgastadas.
- Para evitar periodos de inactividad por avería, se recomienda la utilización del siguiente kit de servicio: **Kit de puesta a punto**

Eliminación

- Se debe cumplir la legislación del respectivo país para la eliminación de este equipo.
- Todos los dispositivos dañados, muy gastados o que funcionen incorrectamente **DEBEN DEJAR DE USARSE**.

Información de utilidad

Ficha de seguridad

Las fichas de seguridad describen los productos químicos vendidos por Chicago Pneumatic.

Consulte el sitio web Chicago Pneumatic para más información qr.cp.com/sds.

País de origen

Hungary

Sitio de Internet

Puede encontrar información relacionada con nuestros productos, accesorios, piezas de repuesto y material impreso en el sitio web Chicago Pneumatic.

Visite: www.cp.com.

Copyright

© Copyright 2023, CHICAGO PNEUMATIC Tool Co.LLC, 1815 Clubhouse Road, Rock Hill, SC 29730 - USA

Todos los derechos reservados. Queda prohibido el uso autorizado o la copia total o parcial del presente contenido. En particular, esta prohibición se aplica a las marcas comerciales, las denominaciones de los modelos, los números de referencia y los gráficos. Utilice sólo piezas autorizadas. Cualquier daño o avería causada por el uso de piezas no autorizadas quedará excluido de la Garantía o la Responsabilidad de producto.

Dados técnicos

Dados da Ferramenta

Modelos	Velocidade livre (rpm)	Peso (kg)	Peso (libras)
CP3650-120AB	12000	1.8	4
CP3650-120AA	12000	1.8	4
CP3650-085AB	8500	1.8	4
CP3650-085AA	8500	1.8	4
CP3650-075AB	7500	1.8	4

Pressão máxima de trabalho

6.3 bar / 90 psig

Declarações

Declaração de Conformidade da União Europeia

Nós da **CHICAGO PNEUMATIC Tool Co.LLC**, 1815 Clubhouse Road, Rock Hill, SC 29730 - USA declaramos, sob nossa exclusiva responsabilidade, que este produto (com nome, tipo e número de série (ver a primeira página) está em conformidade com a(s) seguinte(s) Diretiva(s):



2006/42/EC (17/05/2006)

Normas harmonizadas aplicadas:
EN ISO 11148-8:2011

As autoridades podem solicitar informações técnicas pertinentes de:

Pascal Roussy, R&D Manager, Ets Georges Renault, 38 rue Bobby Sands, BP10273 44818 Saint Herblain, France

Saint-Herblain, 2023/06/05
Pascal ROUSSY

Assinatura

Declaração sobre Ruído & Vibração

Nível de Ruído - ISO 15744

Modelo	L _{pA} dB(A)	L _{WA} dB(A)
CP3650-120AB	93	104
CP3650-120AA	93	104
CP3650-085AB	93	104
CP3650-085AA	93	104
CP3650-075AB	90	101

L_{pA} dB(A): nível de pressão sonora

L_{WA} dB(A): nível de potência sonora

K / K_{pA} = K_{WA} = 3 dB: incerteza

Nível de Vibração - ISO 28927-2

Modelo	Vibração (m/s ²)
CP3650-120AB	2.6
CP3650-120AA	2.6
CP3650-085AB	2.3
CP3650-085AA	2.3
CP3650-075AB	2

Estes valores declarados foram obtidos através de testes efetuados em laboratório, de acordo com os padrões indicados e adequam-se à comparação com valores declarados resultantes de outras ferramentas testadas de acordo com os mesmos padrões. Estes valores declarados não se adequam para utilização em avaliações de risco, sendo que os valores medidos em locais de trabalho possam ser superiores. A valores actuais de exposição e o risco de danos que podem ocorrer num utilizador individual são únicos e dependem da forma como o

utilizador trabalha, da peça de trabalho e do design do local de trabalho, assim como do tempo de exposição e da condição física do utilizador.

Nós, **CHICAGO PNEUMATIC Tool Co.LLC**, não somos responsáveis pelas consequências do uso do valores declarados, ao invés de valores refletindo a exposição real, em uma avaliação de risco individual, em um situação de trabalho sobre a qual não temos controle.

Esta ferramenta pode causar síndrome de vibração na mão e no braço se seu uso não for administrado corretamente. Um guia da UE para gerenciar a vibração da mão e do braço pode ser encontrado acessando-se <http://www.pneurop.eu/index.php> e selecionando-se "Ferramentas" e, em seguida, "Legislação".

Recomendamos um programa de vigilância médica para detectar atempadamente sintomas, que possam estar relacionados com a exposição à vibração, para que os procedimentos de manuseamento possam ser modificados, por forma a ajustar a evitar prejuízos futuros.

- ⓘ Este equipamento é destinado para aplicações fixas. A emissão de ruídos é dado como um guia para a construtor da máquina. Dados sobre emissão de vibração e ruído da máquina completa devem ser indicados no Manual de instruções da máquina.

Requisitos regionais

⚠ AVISO

Este produto pode expor você a produtos químicos, entre eles o chumbo, conhecido no Estado da Califórnia por causar câncer e defeitos em recém-nascidos, além de outros danos à reprodução. Para mais informações, visite <https://www.p65warnings.ca.gov/>

Segurança

NÃO DESCARTE - ENTREGUE AO USUÁRIO

⚠ AVISO Leia todos os avisos de segurança, instruções, ilustrações e especificações fornecidas com a ferramenta elétrica.

O não cumprimento de todas as instruções apresentadas abaixo poderá resultar em choque elétrico, incêndio e/ou lesões graves.

Guarde todos os alertas e instruções para referência futura.

⚠ AVISO Todas as normas de segurança localmente legisladas relativas a instalação, operação e manutenção devem ser sempre respeitadas.

Declaração de Uso

- Apenas para uso profissional.
- Este produto e seus acessórios não devem ser modificados em qualquer circunstância.
- Não utilize o produto se estiver danificado.
- Se os dados do produto ou as sinalizações de perigo na ferramenta deixarem de ser legíveis ou se soltarem, substitua o produto sem demora.

- Somente uma pessoa qualificada em ambiente de montagem industrial pode instalar, operar ou dar manutenção de rotina no produto.

Finalidade

Este produto foi desenvolvido para remover ou polir material usando abrasivos revestidos ou acessórios de polimento. Não é permitido nenhum outro tipo de uso.

Instruções gerais de segurança

ⓘ Outras informações de segurança sobre ferramentas pneumáticas portáteis:

- CAGI 2528 - B186.1, SAFETY CODE FOR PORTABLE AIR TOOLS, disponível na Global Engineering Documents no site <https://global.ihs.com/> ou ligue para +1 800 447-2273. No caso de dificuldade na obtenção de normas ANSI, entre em contato com o instituto ANSI pelo site <https://www.ansi.org/>

Perigos relacionados a conexão e suprimento de ar

- Ar pressurizado pode causar lesões graves.
- Feche sempre o suprimento de ar, remova a pressão da mangueira de ar comprimido, e desconecte a ferramenta do suprimento de ar quando não estiver em uso, antes de realizar a troca de acessórios ou ao fazer reparos.
- Nunca dirija o ar para si mesmo ou outra pessoa.
- Mangueiras chicoteando podem causar lesões graves. Verifique sempre se existem mangueiras e conexões danificadas ou soltas.
- Não use conexões de desengate rápido na ferramenta. Consulte a configuração correta nas instruções.
- Sempre que usar acoplamentos de giro universal, instale contrapinos.
- Não exceda a pressão do ar máxima de 6,3 bar / 90 psi, ou como definido na placa de identificação da ferramenta.

Verificação do protetor de dedo (recurso opcional; consulte a lista de peças de reposição)

- Use o protetor de dedo recomendado e confirme se ele não está danificado.
- Coloque o protetor de dedo entre sua mão e a almofada de lixa.
- Verifique se o protetor de dedo está preso da maneira adequada.

Riscos de emaranhar-se

- Mantenha-se afastado da lixa em movimento. Observe que a lixa continuará em movimento depois que a válvula for fechada; para lixadores de ação dupla, isso poderá durar vários segundos.
- Sufocamento, escarpelamento e/ou laceração podem ocorrer se roupas soltas, luvas, joias, colares ou cabelo não forem mantidos longe de ferramentas e acessórios.

Perigos relacionados à projeção de materiais em alta velocidade

- A falha do acessório ou lixa, ou da peça de trabalho, pode gerar fragmentos de alta velocidade. Mesmo pequenos fragmentos podem atingir os olhos e causar cegueira.

- Sempre use proteção para os olhos e o rosto quando se envolver ou trabalhar perto da ferramenta em operação, reparo ou manutenção ou durante uma troca de acessórios.
- Certifique-se de que todas as outras pessoas no local estão usando proteção resistente a impactos para os olhos e o rosto.
- Diariamente, meça a velocidade do lixador ou polidor rotativo com um tacômetro para se certificar de que não é maior que o número de RPM marcado no encosto, tambor ou lixa.
- Verifique se o disco de suporte / lixa está devidamente preso à lixadeira usando as ferramentas fornecidas.
- Garanta que a peça a ser trabalhada esteja fixada de forma segura.

Riscos com o acessório

- Quando for necessário mudar acessórios, fechar sempre o fornecimento de ar, soltar a mangueira de ar sob pressão e desligar a ferramenta do fornecimento de ar.
- Utilize somente tamanhos de tipos recomendados de lixas.
- Nunca use um encosto, tambor ou lixa com velocidade admissível inferior à do lixador pneumático.
- Nunca monte um disco de rebarbar ou cortar em uma lixadora. Um disco de desgaste em funcionamento pode provocar lesões graves ou morte, se não estiver devidamente protegido.
- Utilizar apenas discos de lixar abrasivos revestidos ou folhas devidamente fixas ao encosto fornecido com a lixadora. Verifique se os discos lixadores auto-alinháveis são montados concentricamente.

Perigos na operação

- Os utilizadores e técnicos de manutenção devem ser fisicamente capazes de lidar com o volume, peso e potência da ferramenta.
- Segure a ferramenta corretamente: esteja pronto para reagir a movimentos súbitos ou mesmo aos normais – tenha as duas mãos disponíveis.
- Você pode ser cortado, beliscado ou queimado caso entre em contato com o encosto, lixa ou com a superfície de trabalho. Evite contato e use luvas adequadas para proteger suas mãos.
- Inspeção o encosto antes de cada utilização. Não use se estiver rachado ou quebrado, ou se foi derrubado.
- Nunca opere a ferramenta a menos que a lixa seja aplicada sobre a peça de trabalho.
- Há risco de descarga eletrostática se utilizada em plástico e outros materiais não condutores.
- Quando usar uma ferramenta dotada de protetor, este deverá estar instalado, oferecendo proteção contra limalhas e outros detritos.

Perigos do movimento repetitivo

- Quando usar uma ferramenta de potência para executar atividades relacionadas ao trabalho, o operador pode sentir desconforto nas mãos, braços, ombros, pescoço ou outras partes do corpo.

- Adote uma postura confortável enquanto mantém uma posição equilibrada sobre os pés, evitando posturas inadequadas ou sem equilíbrio. Mudar a postura durante tarefas prolongadas pode ajudar a evitar desconforto e fadiga.
- Não ignore os sintomas, como desconforto periódico e persistente, dor, palpitações, sensibilidade, formigamento, dormência, sensação de queimação ou rigidez. Pare de usar a ferramenta, informe seu empregador e consulte um médico.

Riscos de vibrações e ruído

- Níveis sonoros muito altos podem causar perda auditiva permanente e outros problemas, como zumbido. Use a proteção auditiva recomendada pelo empregador e de acordo com os regulamentos de saúde e segurança do trabalho.
- A exposição a vibrações pode danificar e incapacitar os nervos e o suprimento de sangue para as mãos e braços. Use roupas quentes e mantenha as mãos aquecidas e secas. Se perceber dormência, formigamento, dor ou lividez da pele, pare de usar a ferramenta, informe seu empregador e consulte um médico.
- Segure a ferramenta de modo leve, porém firme, devido ao risco de vibrações ser geralmente maior quando a força da pegada é maior. Onde possível, apoie o peso da ferramenta com um dínamo compensador.
- Para evitar aumentos desnecessários de níveis de vibração e ruído:
 - Opere e faça manutenção da ferramenta, e selecione, faça manutenção e substitua os acessórios e consumíveis de acordo com este manual de instruções;
 - Use materiais de amortecimento para prevenir o “tinido” das peças a serem trabalhadas.

Perigos no local de trabalho

- Escorregões, tropeções e quedas são as principais causas de lesões graves ou morte. Não deixe excesso de mangueira nas vias de acesso ou no local de trabalho.
- Evite inalar poeira ou fumaça, ou manusear detritos do processo de trabalho que podem causar problemas de saúde (por exemplo, câncer, defeitos de nascença, asma e/ou dermatite). Use equipamento extrator de poeira e equipamento de proteção respiratória ao trabalhar com materiais que produzam partículas em suspensão no ar.
- Determinadas poeiras são geradas ao se jatear, serrar, esmerilhar, furar utilizando potência e ao realizar outras atividades de construção, que contêm componentes químicos que o Estado da Califórnia reconhece como causadores de câncer, defeitos de nascença e outros prejuízos ao sistema reprodutor humano. Alguns exemplos desses componentes químicos são:
 - Chumbo proveniente de tintas à base de chumbo
 - Tijolos de sílica cristalina, cimento e outros produtos de alvenaria
 - Arsênico e cromo da borracha tratada quimicamente.

Seu risco a essas exposições varia, dependendo da frequência que você realiza esse tipo de trabalho. Para reduzir sua exposição a esses componentes químicos: trabalhe em área bem ventilada e use equipamentos de pro-

teção aprovados, como máscaras contra poeira que sejam especificamente indicadas para filtrar partículas microscópicas.

- Proceda com cuidado em ambientes desconhecidos. Podem existir riscos ocultos, como redes de eletricidade ou outras infraestruturas.
- A poeira e fumaça resultantes do lixamento ou esmerilhamento podem causar atmosferas potencialmente explosivas. Use sempre um sistema de extração ou supressão de poeira adequado para o material sendo processado.
- Essa ferramenta não foi concebida para ser utilizada em atmosferas potencialmente explosivas, não estando isolada do contato com a energia elétrica.

Instruções específicas do produto

Segurança Geral na Operação

Antes de iniciar o trabalho

1. Verificação da velocidade livre
 - A velocidade, medida a uma pressão de 6,3 bares/90 PSIG, não deve ser maior do que a velocidade nominal marcada na lixadeira.
 - Remova o disco de suporte e o flange exterior antes de fazer a verificação da velocidade livre.
 - Faça verificações de velocidade livre diariamente, principalmente após um longo período sem utilização.
 - Certifique-se de que a marcação de velocidade no aparelho é legível.
 - Devolva ferramenta para reparos quando esta apresentar excesso de velocidade.
2. Verificação de Disparo
 - Certifique-se de que o gatilho funciona corretamente.
 - Substitua o gatilho se não funcionar corretamente.
 - Nunca remova o gatilho ou bloqueie com fita.
3. Verificação de velocidade máxima
 - Certifique-se de que a velocidade máxima declarada do disco de suporte e da folha abrasiva seja superior ou igual à velocidade marcada na lixadeira.
4. Verificação do encosto
 - Confirme se o encosto não apresenta rachaduras ou danos.
 - Confirme se o encosto tem as dimensões corretas de orifício e se está acoplado corretamente ao eixo para evitar vibrações por desbalanceamento.
 - Remova e troque imediatamente encostos danificados.

5. Verificação do encosto e do flange
 - Sempre desconecte o fornecimento de ar ao trocar o encosto ou a folha abrasiva ao ajustar a ferramenta.
 - Certifique-se de que o flange e as combinações do encosto correspondem à regulamentação nacional.
 - Certifique-se de que o flange está limpo e sem danos.
 - Fixe o flange com o torque de aperto recomendado.
 - Faça um teste da lixadeira em uma área protegida após a montagem do encosto.
 - Certifique-se de que a lixadeira funciona corretamente.

6. Equipamento de proteção individual

Certifique-se de que os operadores usam:

- Proteção ocular, óculos ou um visor.
- Proteção auricular
- Luvas
- Sapatos com ponta coberta
- Roupas de proteção, como um avental de couro.
- Um capacete (para aplicações mais pesadas)
- Proteja o cabelo e não use roupas largas ou joias (risco de ser pego).

7. Área de trabalho

Certifique-se de que a área de trabalho esteja livre de outras pessoas para que ninguém seja ferido.

- As pessoas nas proximidades devem usar proteção auricular ou ocular.
- Certifique-se de que a ventilação e a extração de poeiras das instalações sejam suficientes.
- Certifique-se de que haja uma posição ou um local disponível para colocar a ferramenta com segurança.
- Trabalhe em uma área isolada, com muros de proteção se possível. Há um risco de encostos danificados voarem para fora.

Durante o trabalho

Pare de usar a ferramenta se houver vibrações e ruídos altos anormais durante o uso.

Este produto e seus acessórios não devem ser modificados em qualquer circunstância.

Operação

Instalação/Operação

Consulte o Esquema 3.

1. A máquina deve sempre estar desconectada da fonte de energia para evitar que funcione acidentalmente.
2. Fixe os acessórios corretamente à ferramenta. Use a trava do eixo (1) para ajudar na troca de acessórios.
3. Conecte o dispositivo a uma fonte de ar limpa e seca.
4. Ajuste o regulador de pressão de ar em 6,3 bares/90 PSIG na ferramenta.

- Utilize um lubrificador de linha de ar com óleo SAE N° 10, ajustado para duas gotas por minuto.
- Para dar partida à ferramenta, destrave e pressione a alavanca de segurança (2). Libere a alavanca de segurança para parar.

Girando a empunhadura

Consulte o Esquema 4.

- A máquina deve sempre estar desconectada da fonte de energia para evitar que funcione acidentalmente.
- Remova a empunhadura (1).
- Remova o parafuso (2).
- Gire o suporte (3) para a posição desejada.
- Aperte o parafuso (2).
- Instale a empunhadura (1).

Após o trabalho ser concluído

⚠ AVISO O tempo de parada pode ser maior que 5 segundos.

- ▶ Verifique se a ferramenta está desligada e se parou completamente antes de descê-la.
- ▶ O momento de parada dependerá do rebolo utilizado.

Assente a ferramenta com cuidado para que ela não parta inadvertidamente.

Manutenções de Rotina e Manutenções Corretivas

Instruções de manutenção

- Siga as regulamentações ambientais do país local para manusear e descartar com segurança todos os componentes.
- O trabalho de manutenção e reparos deve ser realizado por pessoal qualificado, utilizando apenas peças de reposição originais. Fale com o fabricante ou o seu revendedor autorizado mais próximo para obter orientações sobre a assistência técnica ou se precisar de peças de reposição.
- A máquina deve sempre estar desconectada da fonte de energia para evitar que funcione acidentalmente.
- Desmonte e inspecione a ferramenta a cada três meses (500 horas) se a ferramenta for usada diariamente. Substitua peças danificadas ou desgastadas.
- Para reduzir o tempo de inatividade ao mínimo, recomenda-se o seguinte kit de manutenção: **Kit de regulação**

Descarte

- A legislação do respectivo país deve ser seguida ao descartar o equipamento,
- Todos os dispositivos danificados, MUITO gastos e em mau estado de funcionamento **DEVEM SER RETIRADOS DE FUNCIONAMENTO.**

Informações úteis

Folha de Dados de Segurança

As Fichas de Informação de Segurança de Produto Químico descrevem os produtos químicos produzidos pela Chicago Pneumatic.

Consulte o site da Chicago Pneumatic para obter mais informações qr.cp.com/sds.

País de origem

Hungary

Website

Informações referentes a nossos Produtos, Acessórios, Peças de Reposição e Materiais Publicados podem ser encontrados no site da Chicago Pneumatic .

Visite: www.cp.com.

Copyright

© Copyright 2023, CHICAGO PNEUMATIC Tool Co.LLC, 1815 Clubhouse Road, Rock Hill, SC 29730 - USA

Todos os direitos reservados. É proibido o uso ou cópia do conteúdo ou parte dele sem autorização. Isso se aplica em particular a marcas registradas, denominações de modelo, números de peça e desenhos. Use somente peças autorizadas. Qualquer dano ou defeito causado pelo uso de peças não autorizadas não é coberto pela Garantia ou pela Responsabilidade pelo Produto.

Dati tecnici

Dati dell'utensile

Modelli	Velocità a vuoto (giri/min)	Peso (kg)	Peso (lb)
CP3650-120AB	12000	1.8	4
CP3650-120AA	12000	1.8	4
CP3650-085AB	8500	1.8	4
CP3650-085AA	8500	1.8	4
CP3650-075AB	7500	1.8	4

Massima pressione di esercizio

6.3 bar / 90 psig

Dichiarazioni

Dichiarazione di conformità UE

CHICAGO PNEUMATIC Tool Co.LLC, 1815 Clubhouse Road, Rock Hill, SC 29730 - USA, dichiara, sotto la propria esclusiva responsabilità, che il prodotto (del tipo e con il numero di serie riportati nella pagina a fronte) è conforme alle seguenti direttive:



2006/42/EC (17/05/2006)

Norme armonizzate applicate:

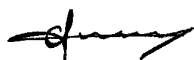
EN ISO 11148-8:2011

Le autorità possono richiedere informazioni tecniche pertinenti a:

Pascal Roussy, R&D Manager, Ets Georges Renault, 38 rue Bobby Sands, BP10273 44818 Saint Herblain, France

Saint-Herblain, 2023/06/05**Pascal ROUSSY**

Firma

**Dichiarazione su vibrazioni e rumorosità**

Livello sonoro: ISO 15744

Modello	L _{pA} dB(A)	LWA dB(A)
CP3650-120AB	93	104
CP3650-120AA	93	104
CP3650-085AB	93	104
CP3650-085AA	93	104
CP3650-075AB	90	101

L_{pA} dB(A): livello della pressione acustica

LWA dB(A): livello della potenza acustica

K/K_{pA} = KWA = 3 dB di incertezza

Livello di vibrazioni: ISO 28927-2

Modello	Vibrazione (m/s ²)
CP3650-120AB	2.6
CP3650-120AA	2.6
CP3650-085AB	2.3
CP3650-085AA	2.3
CP3650-075AB	2

I valori qui dichiarati sono stati ottenuti mediante test eseguiti in laboratorio conformemente alla direttiva o agli standard indicati e sono idonei al raffronto con i valori dichiarati di altri utensili testati in conformità alla medesima direttiva o standard. I valori qui dichiarati non sono adeguati a un utilizzo per la valutazione del rischio e i valori misurati nei singoli luoghi di lavoro potrebbero essere più elevati. I valori di esposizione effettivi e il rischio di lesioni per ogni singolo operatore sono unici e dipendono dal modo in cui lavora l'operatore, dal pezzo e dalla struttura della stazione di lavoro, nonché dai tempi di esposizione e dalle condizioni fisiche dell'operatore.

CHICAGO PNEUMATIC Tool Co.LLC non può essere ritenuta responsabile per le conseguenze derivanti dall'utilizzo dei valori dichiarati, invece di valori che riflettono l'esposizione effettiva, in una valutazione del rischio individuale in una situazione lavorativa sulla quale Desoutter non ha alcun controllo.

Se non è gestito correttamente, l'utilizzo del presente utensile può causare la sindrome da vibrazioni mano-braccio. Per consultare una guida UE sulle vibrazioni trasmesse a mani/braccia, accedere al sito <http://www.pneurop.eu/index.php> e selezionare 'Strumenti' quindi 'Normative'.

Si raccomanda l'adozione di un programma di controllo sanitario finalizzato a individuare i primi sintomi di un'eventuale esposizione alle vibrazioni, affinché sia possibile modificare le procedure di gestione e aiutare a prevenire disabilità significative.

- ❗ Se questa apparecchiatura è destinata ad applicazioni di fissaggio:
Le emissioni acustiche sono riportate in qualità di guida per il costruttore. I dati sulle emissioni acustiche e vibratorie per la macchina completa devono essere riportati nel manuale di istruzioni per la macchina.

Requisiti regionali⚠ **ATTENZIONE**

Questo prodotto può causare esposizione a sostanze chimiche tra cui il piombo, note allo stato della California come causa di tumori e difetti congeniti o altri problemi riproduttivi. Per maggiori informazioni consultare <https://www.p65warnings.ca.gov/>

Sicurezza

NON SMALTIRE: DA CONSEGNARE ALL'UTENTE

⚠ **ATTENZIONE Leggere tutti gli avvisi e le istruzioni di sicurezza unitamente alle illustrazioni e alle specifiche tecniche di questo utensile elettrico.**

Il mancato rispetto delle seguenti istruzioni può causare scosse elettriche, incendi e/o gravi lesioni.

Conservare tutti gli avvisi e le istruzioni per consultarli eventualmente in futuro.

⚠ **ATTENZIONE Rispettare sempre le norme ed i regolamenti locali inerenti l'installazione, il funzionamento e la manutenzione.****Dichiarazione sull'utilizzo**

- Destinato solo a un utilizzo professionale.
- Questo utensile e i suoi accessori non devono mai essere modificati.
- Non utilizzare questo prodotto se è stato danneggiato.
- Se le targhette indicanti i dati del prodotto o i segnali di pericolo del prodotto diventano illeggibili o si staccano, sostituirli immediatamente.
- Il prodotto deve essere installato, utilizzato e mantenuto solo da personale qualificato e in un ambiente di assemblaggio industriale.

Uso previsto

Il presente prodotto è progettato per rimuovere o levigare materiali utilizzando accessori abrasivi o di levigatura rivestiti. Non è consentito nessun altro uso.

Norme di sicurezza generali

i Ulteriori informazioni sulla sicurezza relative agli utensili pneumatici portatili:

- CAGI 2528, B186.1, CODICE DI SICUREZZA PER GLI UTENSILI PORTATILI PNEUMATICI, disponibile presso Global Engineering Documents all'indirizzo <https://global.ihs.com/> o chiamando il numero +1 800 447-2273. In caso di difficoltà nel reperimento delle norme ANSI, rivolgersi direttamente all'associazione visitando il sito <https://www.ansi.org/>

Pericoli legati all'alimentazione e al collegamento pneumatico

- L'aria sotto pressione può causare gravi lesioni.
- Chiudere sempre la mandata dell'aria, scaricare la pressione e scollegare il sistema dalla rete in caso di inutilizzo, prima di sostituire gli accessori o nell'eseguire le riparazioni.
- Non dirigere mai il getto d'aria verso sé stessi o altre persone.
- Il colpo di frusta dei tubi flessibili può causare gravi lesioni. Controllare che non siano presenti tubi flessibili e raccordi danneggiati o allentati.
- Non utilizzare raccordi ad aggancio rapido sull'utensile. Consultare le istruzioni per una corretta configurazione.
- Quando si utilizzano raccordi a baionetta universali, inserire le spine di sicurezza.
- Non superare il limite massimo di 6,3 bar (90 psig) di pressione dell'aria o il valore indicato sulla targhetta dell'utensile.

Controllo della protezione per le dita (caratteristica agiuntiva, fare riferimento all'elenco ricambi)

- Utilizzare la protezione per le dita indicata e verificare che non sia danneggiata.
- Collocare la protezione per le dita fra la mano e il platorello.
- Verificare che la protezione per le dita sia fissata correttamente.

Rischi causati dal rimanere impigliati

- Tenersi a distanza dal tampone di sabbiatura quando questo è in movimento. Si tenga presente che il tampone abrasivo continuerà a funzionare dopo la chiusura della valvola di avvio; per le sabbiatrici a doppia azione, tale movimento può durare diversi secondi.
- Se indumenti larghi, guanti, gioielli e collane non sono tenuti a distanza dall'utensile e dagli accessori, si può rischiare il soffocamento e/o lacerazioni, anche al cuoio capelluto se i capelli restano impigliati.

Rischi relativi agli oggetti scagliati con forza

- Un guasto dell'accessorio o del nastro abrasivo, oppure del pezzo, può causare l'espulsione di oggetti ad alta velocità. Anche oggetti proiettati di piccole dimensioni possono causare infortuni agli occhi o addirittura cecità.
- Indossare sempre protezioni antiurto per gli occhi e per il volto quando si lavora con l'utensile o in prossimità di esso per operazioni di manutenzione, funzionamento o riparazione o per la sostituzione di accessori.

- Verificare che le altre persone nella zona stiano indossando protezioni antiurto per occhi e volto.
- Misurare quotidianamente con un tachimetro la velocità delle sabbiatrici a nastro e delle levigatrici, per accertarsi che non sia superiore al valore in giri/min riportato sul platorello, sul tamburo o sul nastro abrasivo.
- Assicurarci che il platorello/nastro abrasivo sia saldamente fissato alla levigatrice, utilizzando gli utensili forniti in dotazione.
- Verificare che il pezzo sia fissato saldamente.

Pericoli dovuti agli accessori

- Escludere sempre l'alimentazione dell'aria, togliere il tubo flessibile d'arrivo d'aria e scollegare l'utensile dall'alimentazione d'aria in occasione della sostituzione di accessori.
- Utilizzare unicamente nastri abrasivi di dimensioni e tipologia consigliate.
- Non utilizzare platorelli, tamburi o abrasivi con una velocità consentita inferiore a quella della levigatrice pneumatica.
- Non montare mai una mola o una fresa su una sabbiatrice. La perdita di controllo della mola può causare gravi danni fisici o morte se non dotata di adeguate protezioni.
- Utilizzare solamente dischi o fogli leviganti adeguatamente fissati sul platorello fornito con la levigatrice ad aria. Accertarsi che i dischi di smerigliatura autobloccanti siano montati concentricamente.

Rischi connessi all'utilizzo

- Gli operatori e gli addetti alla manutenzione devono essere fisicamente in grado di maneggiare la mole, il peso e la potenza erogata dall'utensile.
- Sostenere l'utensile nel modo corretto: usare una presa con entrambe le mani per contrastare i movimenti normali o improvvisi.
- In caso di contatto accidentale con il tampone abrasivo, con il nastro abrasivo oppure con la superficie di lavoro, sussiste il rischio di tagli, schiacciamenti o ustioni. Evitare il contatto e proteggere le mani con guanti adatti.
- Ispezionare la parte posteriore prima di ogni uso. Non utilizzarlo se è incrinato o lacerato, o se è stato fatto cadere.
- Non utilizzare l'attrezzo se sul pezzo da lavorare non è stato applicato alcun abrasivo.
- Vi è il rischio di scarica elettrostatica in caso di utilizzo su plastica e altri materiali non conduttivi.
- Quando si utilizza un utensile progettato per avere una protezione, questa deve essere montata per garantire protezione dagli sfridi di molatura e altri frammenti.

Rischi connessi ai movimenti ripetitivi

- Durante l'utilizzo degli utensili elettrici per le attività lavorative, l'operatore può subire dolore alle mani, agli arti superiori, alle spalle, collo o in altre parti del corpo.
- Adottare una postura comoda mantenendo un appoggio sicuro sui piedi ed evitando le posizioni scomode o sbilanciate. Durante le lavorazioni prolungate, consigliamo di cambiare posizione per evitare l'affaticamento.

- Non ignorare sintomi persistenti e ricorrenti come ad esempio scomodità, dolore, fitte, indolenzimento muscolare, formicolio, intorpidimento, bruciore o rigidità. Interrompere l'utilizzo dell'utensile, informare il datore di lavoro e rivolgersi a un medico.

Rischi relativi alle emissioni acustiche e vibratorie

- Eccessivi livelli acustici possono causare perdite di udito permanenti e malattie come il tinnito auricolare. Utilizzare le protezioni acustiche consigliate dal datore di lavoro o imposte dalle norme di salute e sicurezza sul lavoro.
- L'esposizione alle vibrazioni può danneggiare i nervi e ostacolare la circolazione sanguigna a mani e braccia. Indossare indumenti caldi e tenere le mani al riparo dal freddo e dall'umidità. In caso di intorpidimento, formicolio, dolore e sbianchimento della pelle, sospendere l'utilizzo dell'utensile, informare il datore di lavoro e consultare un medico.
- Mantenere una presa leggera ma sicura dell'utensile, poiché il rischio legato alle vibrazioni è maggiore in presenza di una presa forte. Se possibile, sostenere il peso dell'utensile con un bilanciatore.
- Per prevenire l'aumento delle emissioni acustiche e vibratorie:
 - L'uso e la manutenzione dell'utensile, nonché la scelta, manutenzione e sostituzione degli accessori e degli elementi di consumo, devono essere conformi a quanto indicato nel presente manuale di istruzioni;
 - Utilizzare materiali antivibrazioni per evitare i fenomeni di "vibrazione" dei pezzi.

Rischi relativi al luogo di lavoro

- Scivolamenti, inciampi e cadute possono causare infortuni gravi o mortali. Prestare attenzione alla presenza di tratti di tubo flessibile sulla superficie di calpestio o lavoro.
- Evitare l'inalazione di polveri o fumi o il trattamento di residui dei processi di lavorazione che possono causare malattie (per esempio, cancro, malformazioni fetali, asma e/o dermatite). Utilizzare l'estrazione di polvere e indossare attrezzature protettive per la respirazione durante il lavoro con materiali che producono particelle sospese nell'aria.
- La polvere prodotta da sabbatura elettrica, utilizzo della sega, smerigliatura, perforazione e altre attività edili contiene sostanze chimiche che lo Stato della California ritiene provochino cancro, malformazioni del feto e disturbi dell'apparato riproduttivo. Si riportano di seguito alcuni esempi di tali sostanze chimiche:
 - Piombo contenuto nelle vernici
 - mattoni, cemento e altri materiali edili in silice cristallina
 - arsenico e cromo provenienti da gomma trattata chimicamente

I rischi derivanti dall'esposizione a tali materiali variano in base alla frequenza di svolgimento dell'attività. Per ridurre l'esposizione a tali sostanze chimiche, lavorare in aree ben ventilate e utilizzare dispositivi di sicurezza approvati, come le maschere antipolvere progettate appositamente per filtrare le particelle microscopiche.

- Prestare attenzione agli ambienti sconosciuti. Essi potrebbero contenere nascosti, come ad esempio linee elettriche o di altro tipo.
- I fumi derivanti da sabbatura o smerigliatura, possono generare atmosfere potenzialmente esplosive. Utilizzare sempre sistemi di estrazione o eliminazione delle polveri adeguati al tipo di materiale da lavorare.
- Questo utensile non è stato progettato per impiego in atmosfere potenzialmente esplosive e non è isolato dal contatto con l'elettricità.

Istruzioni specifiche del prodotto

Sicurezza generale di funzionamento

Prima di iniziare il lavoro

1. Controllo del regime libero
 - La velocità, misurata ad una pressione di 6,3 bar/90 PSIG, non deve superare la velocità nominale indicata sulla sabbatrice.
 - Rimuovere il platorello di estrazione e la flangia esterna prima di eseguire il controllo della velocità a vuoto.
 - Eseguire il controllo della velocità a vuoto quotidianamente, specialmente dopo un lungo periodo di inutilizzo.
 - Verificare che la targhetta indicante la velocità sull'utensile sia leggibile.
 - Inviare l'utensile in assistenza in caso di eccesso di velocità.
2. Controllo grilletto
 - Verificare che il grilletto funzioni correttamente.
 - Sostituire il grilletto in caso di malfunzionamento.
 - Non rimuovere il grilletto o fissarlo con del nastro adesivo.
3. Controllo della velocità massima
 - Verificare che la velocità nominale massima indicata del platorello di estrazione o del foglio abrasivo sia maggiore o uguale alla velocità riportata sulla sabbatrice.
4. Controllo platorello di estrazione
 - Accertarsi che il platorello di estrazione non sia incrinato o danneggiato.
 - Verificare che il platorello di estrazione abbia dimensioni corrette del foro e sia fissato correttamente sul mandrino per evitare vibrazioni sbilanciate.
 - Rimuovere o sostituire immediatamente il platorello di estrazione danneggiato.

5. Controllo flangia e platorello di estrazione
 - Scollegare sempre l'alimentazione pneumatica alla sostituzione del platorello di estrazione o del foglio abrasivo, o alla regolazione dell'utensile.
 - Verificare che le combinazioni di flangia e platorello corrispondano alle normative nazionali.
 - Verificare che la flangia sia pulita e non sia danneggiata.
 - Fissare la flangia con la coppia di serraggio raccomandata.
 - Eseguire un collaudo della sabbatrice in un'area protetta dopo l'assemblaggio del platorello di estrazione.
 - Verificare che la sabbatrice funzioni correttamente.
6. Dispositivi di protezione individuale:
Verificare che gli operatori utilizzino:
 - Un dispositivo per la protezione degli occhi, occhiali o visiera
 - Una protezione acustica
 - Guanti
 - Scarpe rinforzate
 - Indumenti protettivi, come un grembiule di pelle
 - Un casco (per le applicazioni più pesanti)
 - Non utilizzare indumenti larghi, capelli lunghi o bigiotteria (rischio di rimanere impigliati).
7. Area di lavoro
Verificare che l'area di lavoro sia mantenuta libera da altre persone di modo che nessuno possa essere ferito.
 - Le persone circostanti devono indossare un dispositivo per la protezione degli occhi e delle orecchie.
 - Verificare che la ventilazione e l'estrazione della polvere in loco siano sufficienti.
 - Assicurarsi che siano disponibili un supporto o un luogo dove ritirare l'utensile in sicurezza.
 - Lavorare un'area riparata, se possibile con pareti di protezione. Esiste il rischio di proiezione dei platorelli di estrazione rotti.

Durante il lavoro

Interrompere il funzionamento dell'utensile se si verificano rumori e vibrazioni elevate e anomale.

Questo prodotto e i relativi accessori non devono essere modificati.

Funzionamento

Installazione / funzionamento

Fare riferimento allo schema 3.

1. Assicurarsi sempre che la macchina sia scollegata dall'alimentazione per evitare l'azionamento accidentale.
2. Fissare gli accessori in maniera adeguata allo strumento. Utilizzare il blocco del mandrino (1) per facilitare la sostituzione degli accessori.

3. Collegare il dispositivo a una fornitura d'aria pulita e asciutta.
4. Agire sul regolatore della pressione dell'aria in modo da ottenere 6,3 bar / 90 PSIG sull'utensile.
5. Utilizzare un lubrificatore per linea d'aria con olio SAE 10, regolato su due gocce al minuto.
6. Per avviare la macchina, sbloccare la leva di sicurezza (2) e premerla. Rilasciare la leva di sicurezza per eseguire un arresto.

Rotazione dell'impugnatura

Fare riferimento allo schema 4

1. Assicurarsi sempre che la macchina sia scollegata dall'alimentazione per evitare l'azionamento accidentale.
2. Rimuovere l'impugnatura (1).
3. Rimuovere la vite (2).
4. Ruotare la staffa (3) nella posizione desiderata.
5. Serrare la vite (2).
6. Installare l'impugnatura (1).

Dopo il completamento del lavoro

⚠ ATTENZIONE Il tempo di arresto potrebbe essere superiore a 5 secondi.

- ▶ Verificare che l'utensile sia scollegato e che sia completamente fermo prima di riporlo.
- ▶ Il tempo di arresto dipende dall'abrasivo utilizzato.

Posare l'utensile con cautela in modo che non si avvii da solo.

Assistenza e manutenzione

Istruzioni per la manutenzione

- **Attenersi alle norme ambientali del Paese in cui si svolge il lavoro per la gestione e lo smaltimento sicuro di tutti i componenti.**
- Far eseguire i lavori di manutenzione e riparazione al personale qualificato e utilizzando solo ricambi originali. Contattare il produttore o rivenditore autorizzato più vicino per una consulenza sull'assistenza tecnica o in caso di necessità di parti di ricambio.
- Assicurarsi sempre che la macchina sia scollegata dall'alimentazione per evitare l'azionamento accidentale.
- Smontare e ispezionare l'utensile ogni 3 mesi (500 ore) se viene usato quotidianamente. Sostituire le parti danneggiate o usurate.
- Per ridurre al minimo i tempi di fermo, si consiglia il seguente kit di servizio: **Kit di messa a punto**

Smaltimento

- Attenersi alla legislazione nazionale per lo smaltimento di questa apparecchiatura.
- Tutti i dispositivi danneggiati, gravemente usurati o che funzionano in modo irregolare **DEVONO ESSERE MESSI FUORI SERVIZIO.**

Informazioni utili

Scheda di sicurezza

Le schede di sicurezza descrivono i prodotti chimici venduti da Chicago Pneumatic.

Consultare il sito Web di Chicago Pneumatic (qr.cp.com/sds) per ulteriori informazioni.

Paese di origine

Hungary

Sito web

Il sito web Chicago Pneumatic offre informazioni su prodotti, accessori, parti di ricambio e pubblicazioni.

Visita: www.cp.com.

Copyright

© Copyright 2023, CHICAGO PNEUMATIC Tool Co.LLC, 1815 Clubhouse Road, Rock Hill, SC 29730 - USA

Tutti i diritti riservati. Qualsiasi utilizzo o copia non autorizzati dei contenuti o di parte di questi è vietato. Ciò vale in particolare per marchi registrati, denominazioni dei modelli, numeri di componente e diagrammi. Utilizzare solo componenti autorizzati. Un eventuale danneggiamento o difetto di funzionamento causato dall'utilizzo di componenti non autorizzati non è coperto dalla garanzia o dalla responsabilità per danno da prodotti difettosi.

Technische gegevens

Gereedschapsgegevens

Modellen	Stationair to- erental (r/ min)	Gewicht (kg)	Gewicht (lb)
CP3650-120AB	12000	1.8	4
CP3650-120AA	12000	1.8	4
CP3650-085AB	8500	1.8	4
CP3650-085AA	8500	1.8	4
CP3650-075AB	7500	1.8	4

Maximale werkdruk

6.3 bar / 90 psig

Verklaringen

EU-conformiteitsverklaring

Wij, CHICAGO PNEUMATIC Tool Co.LLC, 1815 Clubhouse Road, Rock Hill, SC 29730 - USA verklaren dat het product (met naam, type- en serienummer, zie voorpagina) in overeenstemming is met de volgende richtlijn(en):

2006/42/EC (17/05/2006)



Toegepaste geharmoniseerde normen:

EN ISO 11148-8:2011

Autoriteiten kunnen relevante technische informatie opvragen van:

Pascal Roussy, R&D Manager, Ets Georges Renault, 38 rue Bobby Sands, BP10273 44818 Saint Herblain, France

Saint-Herblain, 2023/06/05

Pascal ROUSSY

Handtekening

Verklaring omtrent geluid en trillingen

Geluidsniveau - ISO 15744

Model	L _{pA} dB(A)	L _{WA} dB(A)
CP3650-120AB	93	104
CP3650-120AA	93	104
CP3650-085AB	93	104
CP3650-085AA	93	104
CP3650-075AB	90	101

L_{pA} dB(A): geluidsdrukniveau

L_{WA} dB(A): geluidsvermogensniveau

K / K_{pA} = K_{WA} = 3 dB: onzekerheid

Trillingsniveau - ISO 28927-2

Model	Trilling (m/s ²)
CP3650-120AB	2.6
CP3650-120AA	2.6
CP3650-085AB	2.3
CP3650-085AA	2.3
CP3650-075AB	2

Deze aangegeven waarden zijn verkregen door laboratoriumtests conform de aangegeven normen en zijn geschikt om vergeleken te worden met de aangegeven waarden of andere geteste gereedschappen met dezelfde normen. De aangegeven waarden zijn niet geschikt voor gebruik voor risicobepalingen en de waarden gemeten op de afzonderlijke werkplekken kunnen hoger zijn. De werkelijke blootstellingswaarden en het risico op letsel verschillen per gebruiker en zijn afhankelijk van de manier waarop de gebruiker werkt, het werkstuk en het ontwerp van het werkstation, alsmede de blootstellingstijd en de fysieke conditie van de gebruiker.

Wij, CHICAGO PNEUMATIC Tool Co.LLC, zijn niet aansprakelijk voor de gevolgen van het gebruik van de weergegeven waarden, in plaats van de waarden die passen bij de werkelijke blootstelling, zoals bepaald via een afzonderlijke risicobeoordeling en in een werksituatie waarover wij geen controle hebben

Indien dit gereedschap niet naar behoren wordt gebruikt, kan dit het hand-arm vibratiesyndroom veroorzaken. Een EU-richtlijn voor hand-armtrillingen vindt u op <http://www.pneurop.eu/index.php>. Selecteer 'Gereedschappen' en daarna 'Wetgeving'.

Wij adviseren een gezondheidscontrole op te zetten om al in een vroegstadium symptomen te kunnen waarnemen die gereleerd zouden kunnen zijn aan blootstellingen aan trillingen, zodat managementprocedures aangepast kunnen worden om toekomstig letsel te voorkomen.

- i** Als deze apparatuur is bedoeld voor vaste toepassingen: De geluidsuitstoot wordt als richtlijn voor de machinebouwer verstrekt. Gegevens m.b.t. geluids- en trillingsuitstoot voor de gehele machine staan in het instructiehandboek voor de machine.

Regionale vereisten

WAARSCHUWING

Dit product kan u blootstellen aan chemicaliën, waaronder lood. Dit is een stof waarvan de Californische overheid weet dat deze kanker, aangeboren afwijkingen en vruchtbaarheidsproblemen veroorzaakt. Ga voor meer informatie naar

<https://www.p65warnings.ca.gov/>

Veiligheid

NIET WEGGOOIEN - AAN DE GEBRUIKER GEVEN

WAARSCHUWING Lees alle bij dit gereedschap geleverde veiligheidswaarschuwingen, instructies, illustraties en specificaties.

Indien u niet alle instructies hieronder opvolgt, kan dit leiden tot een elektrische schok, brand en/of ernstig lichamenlijk letsel.

Bewaar alle waarschuwingen en instructies, zodat u ze op en later tijdstip kunt raadplegen.

WAARSCHUWING Alle plaatselijke wettige veiligheidsregels betreffende installatie, bediening en onderhoud moeten altijd in acht worden genomen.

Gebruiksverklaring

- Uitsluitend voor professioneel gebruik.
- Dit product en de accessoires mogen niet gemodificeerd worden.
- Gebruik dit product niet indien het beschadigd is.
- Indien de productgegevens of de gevarenwaarschuwingen op het product onleesbaar zijn of losraken, vervang ze dan onmiddellijk.
- Het product mag uitsluitend worden geïnstalleerd, gebruikt en onderhouden door bevoegde personeel in een industriële assemblage-omgeving.

Beoogd gebruik

Dit product is ontworpen voor het verwijderen of polijsten van materiaal met een slijpschijf of polijsthulpstukken. Gebruik van een andere aard is verboden.

Algemene veiligheidsinstructies

i Aanvullende veiligheidsinformatie betreffende draagbare pneumatische gereedschappen:

- CAGI 2528 - B186.1, VEILIGHEIDSCODE VOOR DRAAGBARE PNEUMATISCHE GEREEDSCHAPPEN, verkrijgbaar via Global Engineering Documents op <https://global.ihs.com/> of bel +1 800 447-2273. In geval van problemen bij het verkrijgen van ANSI-normen kunt u contact opnemen met ANSI via <https://www.ansi.org/>

Gevaar m.b.t. luchttoevoer en luchtleidingen

- Perslucht kan ernstig letsel veroorzaken.
- Schakel de luchttoevoer uit, verwijder lucht uit de leidingen en koppel het gereedschap, wanneer u het niet gebruikt, af van de luchttoevoer alvorens accessoires te verwisselen of reparaties uit te voeren.
- Richt de luchtleiding nooit op uzelf of op een ander.
- Wegschietende slangen kunnen ernstig letsel veroorzaken. Controleer altijd of slangen en hulpstukken onbeschadigd zijn en goed vastzitten.
- Gebruik geen snelkoppelingen bij het gereedschap. Zie de instructies voor de juiste instelling.
- Als er kruiskoppelingen worden gebruikt, moeten er borgpennen worden geïnstalleerd.
- Overschrijd de maximale luchtdruk van 6,3 bar / 90 psi, of de waarde op de naamplaat van het gereedschap niet.

Controle van vingerbescherming (optionele functie, zie reserveonderdelenlijst)

- Gebruik de aanbevolen vingerbescherming en controleer of deze niet beschadigd is.
- Plaats de vingerbescherming tussen uw hand en de schuurschijf.
- Controleer of de vingerbescherming goed vast zit.

Verstrikkingsgevaar

- Blijf uit de buurt van het bewegende schuurkussen. Het slijpmiddel blijft draaien na het sluiten van de startklep. Dit kan bij schuurmachines met twee standen enkele seconden duren.
- Als u loszittende kleding, handschoenen, sieraden, sjaals en haar niet uit de buurt van het gereedschap en accessoires houdt, kan dit leiden tot verstikking, beschadiging van haar en hoofdhuid en/of verwondingen.

Gevaren in verband met wegschietende delen

- Een wegschietend accessoire, slijpmiddel of project is een projectiel met hoge snelheid. Zelfs kleine wegschietende voorwerpen kunnen oogbeschadiging en blindheid veroorzaken.
- Draag altijd slagvaste oog- en gezichtsbescherming wanneer u betrokken bent bij gebruik, reparatie of onderhoud van het gereedschap of bij het vervangen van accessoires op het gereedschap.
- Controleer of anderen in de werkruimte slagvaste oog- en gezichtsbescherming dragen.

- Meet het toerental van een schuur- of polijstmachine elke dag met een toerenteller om u ervan te verzekeren dat het niet hoger is dan het tpm dat op de steunschijf, trommel of het schuurmiddel staat.
- Controleer of de steunschijf/het schuurmiddel goed aan de schuurmachine is geklemd met de meegeleverde hulpmiddelen.
- Zorg ervoor dat elk project waaraan u werkt goed is bevestigd.

Accessoiregevaaren

- Schakel altijd de luchttoevoer uit, ontlucht de slang en koppel deze af van de luchttoevoer alvorens accessoires te verwisselen.
- Gebruik uitsluitend slijpmiddelen met de aanbevolen afmetingen/types.
- Gebruik nooit een steunschijf, trommel of schuurmiddel met een toegestaan toerental dat lager is dan het toerental van de pneumatische schuurmachine.
- Monteer nooit een slijpschijf of een snijwiel op een schuurmachine. Een slijpschijf die barst of stukslaat kan ernstig letsel of de dood ten gevolge hebben als geen beschermkap gebruikt wordt.
- Gebruik alleen gecoate schuurschijven of papieren schuurschijven die op de juiste wijze bevestigd zijn op de meegeleverde steunschijf. Verzeker u ervan dat de zelfbevestigende schuurschijven concentrisch gemonteerd zijn.

Operationele risico's

- Gebruikers en onderhoudspersoneel moet lichamelijk in staat zijn om met de omvang, het gewicht en de kracht van dit apparaat om te kunnen gaan.
- Houd het gereedschap op de correcte manier vast: zorg dat u gereed bent om normale of plotselinge bewegingen op te vangen.
- U kunt snij- of brandwonden oplopen of bekneld raken als u in contact komt met een schuurkussen, schuurmiddel of het werkoppervlak. Voorkom contact en bescherm uw handen door het dragen van geschikte handschoenen.
- Controleer de achterwand iedere keer voor het gebruik. Gebruik de achterwand niet als deze gescheurd of gebroken is, of als deze is gevallen.
- Gebruik het gereedschap alleen als het schuurmiddel op het werkstuk is aangebracht
- Indien gebruikt op kunststof en andere niet-geleidende materialen, bestaat er kans op elektrostatische ontlading.
- Als u gereedschap gebruikt dat is voorzien van een beschermer, dient u de beschermer aan te brengen om u te beschermen tegen splinters en ander afval.

Gevaar: repeterende beweging

- Tijdens het gebruik van elektrisch gereedschap, ervaart de bediener mogelijk een onprettig gevoel in de handen, armen, schouders, nek of andere lichaamsdelen.
- Neem een prettige houding aan en zorg dat u in balans bent. Neem geen slechte houding aan en zorg dat u niet uit balans raakt. Voorkom een onprettig gevoel en vermoeidheid door regelmatig van houding te veranderen gedurende langdurige taken.

- Negeer nooit de volgende symptomen: aanhoudend of terugkerend ongemak, pijn, kloppende pijn, tintelingen, gevoelloosheid, branderigheid of stijfheid. Staak het gebruik van het gereedschap, stel uw werkgever op de hoogte van uw ervaringen en neem contact op met een arts.

Gevaar: geluid en trillingen

- Harde geluiden kunnen leiden tot permanente gehoorschade en andere problemen, zoals tinnitus. Gebruik oorbeschermers die worden aangeraden door uw werkgever of in de reglementen voor welzijn en veiligheid op de werkvloer.
- Blootstelling aan trillingen kan leiden tot permanente zenuwbeschadiging en een verstoorde bloedtoevoer naar handen en armen. Draag warme kleding en houd uw handen warm en droog. Indien u gevoelloosheid, tintelingen of het wit wegtrekken van de huid waarneemt, dient u het gereedschap uit te schakelen, uw werkgever hiervan op de hoogte te stellen en contact met een arts op te nemen.
- Houd het gereedschap goed vast, maar niet te strak, aangezien de kans op letsel door trillingen groter is naarmate u het gereedschap strakker vasthoudt. Ondersteun waar mogelijk het gewicht van het gereedschap met een stabilisator.
- Onnodige toename van geluids- en trillingsniveau voorkomen:
 - Gebruik en onderhoud het gereedschap, en selecteer, onderhoud en vervang de accessoires en verbruiksartikelen in overeenstemming met de instructies in deze handleiding;
 - Gebruik dempende materialen om snerpend geluid afkomstig van het project waaraan u werkt te dempen.

Werkplaatsgevaaren

- Uitglijden, struikelen en vallen zijn belangrijke oorzaken van ernstig lichamelijk letsel of de dood. Let goed op buizen die op het loop- of werkoppervlak liggen.
- Voorkom het inademen van stof of dampen of het hanteren van vuil afkomstig van het werkproces, die schadelijk zijn voor de gezondheid (denk hierbij aan kanker, aangeboren afwijkingen, astma en/of dermatitis). Zuig stof af en draag een stofmasker wanneer u werkt met materialen die deeltjes afgeven aan de lucht.
- Elektrisch schuren, zagen, slijpen, boren en andere bouwactiviteiten creëren stof die chemicaliën bevat die bij de staat Californië bekend staan als elementen die kankerverwekkend zijn, aangeboren afwijkingen veroorzaken of een nadelige invloed op de voortplanting hebben. Voorbeelden van dit soort chemicaliën zijn:
 - Lood uit verf op loodbasis
 - Silicakristallen, cement en andere metselproducten
 - Arsenicum en chroom in rubber dat met chemicaliën is behandeld

In hoeverre u risico loopt, is afhankelijk van de frequentie waarmee u dit soort werkzaamheden uitvoert. Beperk blootstelling aan dit soort chemicaliën als volgt: werk in een goed geventileerde ruimte, werk met goedgekeurde

veiligheidsuitrusting, zoals stofmaskers die speciaal ontwikkeld zijn voor het filteren van microscopisch kleine deeltjes.

- Wees voorzichtig wanneer u zich op onbekend terrein bevindt. Er zijn mogelijk verborgen gevaren, zoals elektrische of andere utiliteitsleidingen.
- Stof en dampen afkomstig van schuren of slijpen kunnen een potentieel explosieve atmosfeer veroorzaken. Gebruik altijd een stofafzuigings- of onderdrukkingssysteem dat geschikt is voor het materiaal dat wordt verwerkt.
- Dit gereedschap is niet bedoeld voor gebruik in een potentieel explosieve atmosfeer en is niet geïsoleerd tegen contact met een elektriciteitsbron.

Productspecifieke instructies

Algemene veiligheidsregels m.b.t. gebruik

Voorafgaand aan het werk

1. Controle van het onbelast toerental
 - De snelheid die wordt gemeten bij een druk van 6,3 bar / 90 psig mag niet hoger zijn dan de op de schuurmachine aangegeven nominale snelheid.
 - Verwijder de steunschijf en de buitenste flens alvorens de stationaire snelheid te controleren.
 - Voer dagelijks controles van het onbelast toerental uit, vooral als het gereedschap gedurende lange tijd niet is gebruikt.
 - Controleer of de snelheidsmarkering op het gereedschap leesbaar is.
 - Indien de snelheid te hoog is, moet het gereedschap voor reparatie retour gestuurd worden.
2. Trekkercontrole
 - Controleer of de trekker goed werkt.
 - Vervang de trekker indien deze niet goed werkt.
 - De trekker mag nooit verwijderd worden of met tape worden vastgezet.
3. Controle van de maximale snelheid
 - Controleer of de vermelde maximale snelheid van de steunschijf en van de schuurschijf hoger dan of gelijk zijn aan de snelheid die op de schuurmachine wordt vermeld.
4. Steunschijfcontrole
 - Controleer of de steunschijf geen scheuren heeft en vrij is van beschadigingen.
 - Controleer of de steunschijf gaten van de juiste afmeting heeft en goed op de as is bevestigd om trillingen door een slechte balans te voorkomen.
 - Verwijder en vervang beschadigde steunschijven onmiddellijk.

5. Flens- en steunschijfcontrole
 - Schakel de luchttoevoer uit af alvorens u de steunschijf of de schuurschijf verwisselt, of wanneer u het gereedschap aanpast.
 - Controleer of de combinatie van flens en schijf overeenkomt met de landelijke wet- en regelgeving.
 - Controleer of de flens schoon en niet beschadigd is.
 - Bevestig de flens en draai aan tot het aanbevolen koppel is bereikt.
 - Test, na het monteren van de steunschijf, de schuurmachine in een afgeschermd ruimte.
 - Controleer of de schuurmachine goed werkt.

6. Veiligheidsuitrusting:

Zorg ervoor dat het personeel gebruik maakt van:

- Oogbescherming, een bril of een masker.
- Oorbescherming
- Handschoenen
- Schoenen met stalen neuzen
- Beschermende kleding, zoals een leren schort.
- Een helm (voor zware toepassingen)
- Zorg ervoor dat er geen loszittende kleding, haar of sieraden zijn (deze kunnen beklemd raken).

7. Werkgebied

Controleer of er in het werkgebied geen andere mensen aanwezig zijn om letsel te voorkomen.

- Personen in de werkomgeving moeten oor- en oogbescherming dragen.
- Controleer of de werkruimte is voorzien van een goede ventilatie en stofafzuiging.
- Zorg voor een plaats of een standaard waarop het gereedschap veilig kan worden neergezet.
- Werk in een afgesloten ruimte, het liefst met beschermende wanden. Er is een kans dat defecte steunschijven wegschieten.

Tijdens het werk

Staak het gebruik van het gereedschap indien u tijdens het gebruik abnormaal harde geluiden of trillingen waarneemt.

Dit gereedschap en de daarbij behorende accessoires mogen niet gewijzigd worden.

Bediening

Installatie / gebruik

Zie *Schema 3*.

1. Voorkom onbedoeld inschakelen van de machine door altijd te controleren of de stroomkabel van de machine losgekoppeld is van het elektriciteitsnet.
2. Bevestig de accessoires op juiste wijze aan de machine. Gebruik de spindelvergrendeling (1) voor het verwisselen van accessoires.
3. Sluit het apparaat aan op een schone, droge luchttoevoer.

4. Pas de luchtdrukregelaar aan naar 6.3 bar / 90 psig op het gereedschap.
5. Gebruik een luchtsmeerinrichting met SAE #10 olie, afgesteld op twee druppels per minuut.
6. Ontgrendel en druk op veiligheidshendel (2) om de machine te starten. Laat de veiligheidshendel los om te stoppen.

De hendel draaien

Zie *Schema 4*.

1. Voorkom onbedoeld inschakelen van de machine door altijd te controleren of de stroomkabel van de machine losgekoppeld is van het elektriciteitsnet.
2. Verwijder de hendel (1).
3. Verwijder de schroef (2).
4. Draai de beugel (3) in de gewenste stand.
5. Draai de schroef (2) vast.
6. Installeer de hendel (1).

Als het werk voltooid is

⚠ WAARSCHUWING De stoptijd kan meer dan 5 seconden bedragen.

- ▶ Leg het gereedschap pas neer als het uitgeschakeld en volledig gestopt is.
- ▶ De stoptijd is afhankelijk van het gebruikte slijpmiddel.

Leg het gereedschap voorzichtig neer om ervoor te zorgen dat het gereedschap niet uit zichzelf start.

Service en onderhoud

Onderhoudsinstructies

- **Volg de lokale milieuvoorschriften voor veilige hantering en verwijdering van alle onderdelen.**
- Onderhouds- en reparatiewerkzaamheden mogen alleen door gekwalificeerd personeel en met originele reserveonderdelen worden uitgevoerd. Neem contact op met de fabrikant of uw dichtstbijzijnde geautoriseerde dealer voor advies over technische service of als u reserveonderdelen nodig hebt.
- Voorkom onbedoeld inschakelen van de machine door altijd te controleren of de stroomkabel van de machine losgekoppeld is van het elektriciteitsnet.
- Demonteer en controleer het gereedschap elke 3 maanden (500 uur) als het gereedschap dagelijks wordt gebruikt. Vervang beschadigde of versleten onderdelen.
- Het gebruik van de volgende servicekit is aanbevolen om niet-productieve tijd tot een minimum te beperken: **Optimalisatiekit**

Afvoer

- Voor de verwijdering van deze apparatuur moet de wetgeving van het betreffende land worden gevolgd.

- Beschadigde, versleten of onjuist werkende gereedschappen **MOETEN BUITEN WERKING GESTELD WORDEN.**

Nuttige informatie

Veiligheidsinformatieblad

De veiligheidsinformatiebladen beschrijven de chemische producten verkocht door Chicago Pneumatic.

Raadpleeg de Chicago Pneumatic-website voor meer informatie qr.cp.com/sds.

Land van oorsprong

Hungary

Website

Informatie betreffende onze producten, accessoires, reserveonderdelen en pucliaties is te vinden op de website van Chicago Pneumatic.

Ga naar: www.cp.com.

Copyright

© Copyright 2023, CHICAGO PNEUMATIC Tool Co.LLC, 1815 Clubhouse Road, Rock Hill, SC 29730 - USA

Alle rechten voorbehouden. Onrechtmatig gebruik of het kopiëren van de inhoud of een deel hiervan is verboden. Dit is met name van toepassing op handelsmerken, modelnamen, onderdeelnummers en tekeningen. Gebruik uitsluitend onderdelen van Atlas Copco. Schade of defecten als gevolg van het gebruik van onderdelen van derden vallen niet onder de garantie.

Teknische data

Værktøjsdata

Modeller	Frihastighed (o./min.)	Vægt (kg)	Vægt (lb)
CP3650-120AB	12000	1.8	4
CP3650-120AA	12000	1.8	4
CP3650-085AB	8500	1.8	4
CP3650-085AA	8500	1.8	4
CP3650-075AB	7500	1.8	4

Maks. driftstryk

6.3 bar / 90 psig

Erklæringer

EU-overensstemmelseserklæring

Vi, **CHICAGO PNEUMATIC Tool Co.LLC**, 1815 Clubhouse Road, Rock Hill, SC 29730 - USA, erklærer, under eneansvar, at produktet (med navn, type og serienummer på forsiden) er i overensstemmelse med følgende direktiv(er):

2006/42/EC (17/05/2006)

Harmoniserede standarder anvendt:

EN ISO 11148-8:2011

Myndigheder kan rekvirere relevant teknisk information fra:

Pascal Roussy, R&D Manager, Ets Georges Renault, 38 rue Bobby Sands, BP10273 44818 Saint Herblain, France

Saint-Herblain, 2023/06/05

Pascal ROUSSY



Underskrift

Støj- og vibrationsdeklaration

Lydniveau - ISO 15744

Model	L _{pA} dB(A)	L _{WA} dB(A)
CP3650-120AB	93	104
CP3650-120AA	93	104
CP3650-085AB	93	104
CP3650-085AA	93	104
CP3650-075AB	90	101

L_{pA} dB(A): lydtryksniveau

L_{WA} dB(A): lydeffektniveau

K / K_{pA} = K_{WA} = 3 dB: usikkerhed

Vibrationsniveau - ISO 28927-2

Model	Vibration (m/s ²)
CP3650-120AB	2.6
CP3650-120AA	2.6
CP3650-085AB	2.3
CP3650-085AA	2.3
CP3650-075AB	2

Disse deklarerede værdier er opnået ved laboratorietests i overensstemmelse med de angivne standarder, og kan bruges til sammenligning med de deklarerede værdier for andre værktøjer testet i overensstemmelse med de samme standarder. Disse deklarerede værdier er ikke hensigtsmæssige til brug ved risikovurderinger, og værdier målt på individuelle arbejdspladser kan være højere. De faktiske eksponeringsværdier og den skadesrisiko, der opleses af en enkelt bruger er unikke og er afhængige af den måde, hvorpå brugeren arbejder, emnet og arbejdspladsudformningen, og af brugerens eksponeringstid og fysiske tilstand.

Vi, **CHICAGO PNEUMATIC Tool Co.LLC**, hæfter ikke for følgerne af at bruge de erklærede værdier i stedet for værdier, der afspejler den faktiske udsættelse i en individuel risikovurdering i en arbejdspladssituation, som vi ikke er herre over.

Dette værktøj kan forårsage hånd-arm-vibrationssyndrom, hvis anvendelse af værktøjet ikke styres tilstrækkeligt. En EU-vejledning til styring af hånd-armvibration findes ved at gå til <http://www.pneurop.eu/index.php> og vælge 'Tools' og derpå 'Legislation'.

Vi anbefaler et helbredsovervågningsprogram, så tidlige symptomer på vibrationseksponering kan blive opdaget, og ledelsesprocedurerne kan ændres mhp. at forebygge fremtidige skader.

- ⓘ Hvis dette udstyr er beregnet til fastgjorte anvendelser. Støjemissionen angives som vejledende for maskinbyggerne. Støj- og vibrationsemissionsdata for hele maskinen skulle være angivet i maskinens instruktionsbog.

Regionale krav

⚠ ADVARSEL

Dette produkt kan udsætte dig for kemikalier og bly, som af staten Californien regnes for at være kræftfremkaldende og kan føre til fosterskader og andre reproduktionsskader. For yderligere oplysninger, gå til

<https://www.p65warnings.ca.gov/>

Sikkerhed

KASSÉR IKKE DETTE - GIV DET TIL BRUGEREN

⚠ ADVARSEL Læs alle sikkerhedsadvarsler, anvisninger, illustrationer og specifikationer, der følger med dette maskinværktøj.

Hvis nogen af instruktionerne ikke følges, kan det føre til elektrisk stød, brand og/eller alvorlige kvæstelser.

Gem alle advarsler og instruktioner til fremtidig brug.

⚠ ADVARSEL Alle lokalt gældende sikkerhedsforskrifter omhandlende installation, drift og vedligeholdelse skal altid overholdes.

Anvendelseserklæring

- Kun til professionel brug.
- Dette produkt og produktets tilbehør må ikke modificeres på nogen måde.
- Dette produkt må ikke bruges, hvis det er beskadiget.
- Hvis mærkaterne om produktdata eller advarsler på værktøjet ikke længere kan læses eller falder af, skal der straks sættes nye på.
- Produktet må kun installeres, betjenes og serviceres af en kvalificeret person i et industriområde.

Tilsigtet brug

Dette produkt er konstrueret til at fjerne eller polere materiale med coatede slibemidler eller poleretilbehør. Ingen anden anvendelse er tilladt.

Generelle sikkerhedsanvisninger

ⓘ Yderligere sikkerhedsinformation vedrørende transportabelt pneumatisk værktøj:

- CAGI 2528 - B186.1, SAFETY CODE FOR PORTABLE AIR TOOLS (sikkerhedskode for transportabelt pneumatisk værktøj), kan indhentes hos Global Engineering Documents på <https://global.ihs.com/> eller ved telefonisk henvendelse på tlf.: +1 800 447-2273. Hvis du skulle have problemer med at indhente ANSI-standarder, bedes du kontakte ANSI via <https://www.ansi.org/>

Faremoment: trykluft og tilslutning

- Luft under tryk kan forårsage alvorlig tilskadekomst.
- Sluk altid for lufttilførslen, tag trykket af slangen, og kobl værktøjet fra, når det ikke benyttes, og der skiftes tilbehør eller foretages reparation.
- Vend aldrig luft mod dig selv eller andre.
- Piskende slanger kan forårsage alvorlig personskade. Inspicér altid for beskadigede og løse slanger og fittings.
- Brug ikke lynafbrydelseskoblinger på værktøjet. Se instruktionerne vedr. korrekt montering.
- Når der benyttes universalspiralkoblinger, skal der være installeret låsestifter.
- Lufttrykket må aldrig overstige 6,3 bar/90 psig, eller som angivet på værktøjets fabriksskilt.

Kontrol af fingerskærm (ekstraudstyr, se reservedelsliste)

- Brug altid den anbefalede fingerskærm, og se efter, at den ikke er beskadiget.
- Placer fingerskærmen mellem hånden og slibepuden.
- Kontrollér at fingerskærmen er korrekt fastgjort.

Indviklingsfare

- Hold afstand til roterende sandslibningsklods. Bemærk at skæreskiven vil fortsætte med at køre efter at startventilen er lukket. På slibemaskiner med dobbelt funktion kan dette tage flere sekunder.
- Man kan blive kvalt, skalperet og/eller sønderrevet, hvis løstsiddende tøj, handsker, smykker, halsklude og hår ikke holdes væk fra værktøj og tilbehør.

Fare for udslyngede genstande

- Hvis tilbehøret eller slibeskiverne eller arbejdsemnet svigter, kan der genereres højhastighedsprojektiler. Selv små udslyngede genstande kan skade øjne og forårsage blindhed.
- Brug altid slagfast øjen- og ansigtssvævn under eller nær arbejdet, ved reparation eller vedligeholdelse af værktøjet eller udskiftning af tilbehør på værktøjet.
- Sørg for, at alle andre i området benytter slagfast øsen- og ansigtssvævn.

- Mål værktøjets hastighed hver dag med en omdrejningstæller for at sikre, at den ikke er højere end rpm-markeringen på bagskiven, slibeskiven eller sliberullen.
- Sørg for, at støttepuden/slibeskiven sidder sikkert fast på slibemaskinen ved at bruge det medfølgende værktøj.
- Sørg for, at arbejdsemnet sidder sikkert fast.

Faremoment: Tilbehør

- Sluk altid luftforsyningen, tag lufttrykket af slangen, og tag luftforsyningen af værktøjet, før tilbehør udskiftes.
- Kun de anbefalede slibematerialestørrelser og -typer må anvendes.
- Brug aldrig en bagskive, sliberulle eller slibeskive med en nominel tilladt hastighed, som er mindre end luftslibemaskinens hastighed.
- Montér aldrig slibe- eller kopskiver på en slibemaskine til sandpapir. En slibeskive, der springer, kan forårsage alvorlig og livsfarlig personskade, når den ikke er korrekt afskærmet.
- Brug kun belagte slibeplader eller -ark, forsvarligt fastgjort til støttepuden, der følger med slibemaskinen. Vær sikker på, at selvklæbende slibeskiver er monteret koncentrisk.

Driftsfarer

- Brugere og reparationspersonale skal være fysisk i stand til at håndtere det elektriske værktøj med hensyn til omfang, vægt og kraft.
- Hold værktøjet korrekt: vær parat til at modvirke almindelige eller pludselige bevægelser - brug begge hænder.
- Du kan få snit, knibninger eller forbrændinger, hvis du kommer i berøring med slibesålen, slibeskiven eller emnefladen. Undgå kontakt, og brug egnede handsker til at beskytte hænderne.
- Inspicér støttepuden før hver brug. Må ikke anvendes, hvis den er revnet eller knækket, eller hvis den er blevet tabt.
- Kør aldrig værktøjet uden at slibebåndet holdes mod arbejdsemnet
- Der er risiko for elektrostatisk afladning, hvis maskinen bruges på plastik eller andre ikke-ledende materialer.
- Ved brug af et værktøj, der er beregnet til at have påmonteret en afskærmning, skal denne altid være på plads, så den kan yde beskyttelse mod slibesåner og andet restmateriale.

Fare forbundet med gentagne bevægelser

- Når der anvendes elektrisk værktøj til at udføre arbejdsrelaterede aktiviteter, vil brugeren muligvis føle ubehag i hænder, arme, skuldre, nakke og andre legemsdele.
- Indtag en bekvem stilling, mens der bevares et godt fodfæste og undgå akavede eller ubalancerede stillinger. Det kan hjælpe at skifte stilling ved langvarige opgaver for at forebygge ubehag og træthed.
- Lad ikke symptomer som f.eks. vedvarende eller tilbagevendende ubehag, smerte, dunken, irritation, prikken, følelsesløshed, brændende fornemmelse eller stivhed gå upåagtet hen. Hold op med at bruge værktøjet, informér din arbejdsgiver, og tal med en læge.

Støj- og vibrationsfarer

- Høje lydniveauer kan give permanent høretab og andre problemer som f.eks. tinnitus. Der skal altid bruges hørevern, som anbefalet af din arbejdsgiver eller i gældende arbejdsmiljøbestemmelser.
- Udsættelse for vibrationer kan forårsage invaliderende skade på nerverne og hæmme blodforsyningen til hænder og arme. Brug varmt tøj, og hold hænderne varme og tørre. Hvis der opstår følelsesløshed, snurren eller smerter, eller huden bliver hvid, skal man ophøre med at bruge værktøjet, informere sin arbejdsgiver og søge lægehjælp.
- Hold værktøjet i et let men sikkert greb, da risikoen for vibration generelt er større, når gribekraften er højere. Hvor muligt understøttes værktøjets vægt med en balancer.
- Med henblik på at undgå en stigning i støj- og vibrationsniveauerne:
 - Betjenes og vedligeholdes værktøjet, og tilbehør og forbrugsvarer vælges, vedligeholdes og udskiftes iht. denne instruktionsbog.
 - Brug dæmpningsmaterialer til at forebygge, at arbejdssemnerne "ringer."

Farer på arbejdspladsen

- En af de hyppigste årsager til alvorlig og livsfarlig personskade er, at man glider, snubler eller flader. Vær opmærksom på slanger, der er efterladt på gulvet.
 - Undgå indånding af støv eller håndtering af affald fra de arbejdsprocesser, som kan være skadelige for dit helbred (f.eks. cancer, fostermisdannelser, astma og/eller dermatitis). Brug et udsugningsanlæg, og brug beskyttende respirationsudstyr, når du arbejder med materialer, der frembringer luftbårne partikler.
 - Der opstår en del støv ved pudning, savning, slibning, boring og andre byggeaktiviteter indeholder kemikalier, hvorom delstaten Californien ved, at de forårsager cancer, fostermisdannelser og anden reproduktiv skade. Nogle eksempler på sådanne kemikalier er:
 - Bly fra blyholdig maling
 - Silikatkrystalholdige mursten, cement og andre murværksprodukter
 - Arsenik og krom fra kemisk behandlet gummi
- Risikoen ved udsættelse for disse stoffer varierer, afhængigt af hvor ofte du udfører denne slags arbejde. Du kan mindske udsættelse for disse kemikalier ved at gøre følgende: Udfør arbejdet i et område med god ventilation og brug godkendt sikkerhedsudstyr såsom støvmasker, der er specielt godkendt til at bortfiltrere mikroskopiske partikler.
- Udvis forsigtighed i ukendte omgivelser. Der kan forekomme skjulte faremomenter så som elektricitet eller andre forsyningslinjer.
 - Støv og dampe fra pudning og slibning kan skabe en potentielt eksplosiv atmosfære. Brug udsugningsudstyr eller andre støvhæmmende foranstaltninger, som er hensigtsmæssige for det materiale, der bearbejdes.

- Dette værktøj er ikke beregnet til brug i potentielt eksplosive atmosfærer, og er ikke isoleret mod kontakt med elektrisk strøm.

Produktspecifikke instrukser**Generel driftssikkerhed****Inden arbejdet påbegyndes**

1. Kontrol af den frie hastighed
 - Hastigheden målt ved et tryk på 6,3 bar/90 PSIG må ikke være højere end den nominelle hastighed, som angives på slibemaskinen.
 - Fjern bagskiven og den ydre flange, før kontrol af den frie hastighed foretages.
 - Foretag kontrol af den frie hastighed dagligt og især efter længere tid uden brug.
 - Sørg for, at hastighedsangivelsen på værktøjet kan læses.
 - Send værktøjet til reparation, hvis det kører for hurtigt.
2. Kontrol af udløser
 - Kontroller, at udløseren fungerer korrekt.
 - Udskift udløseren, hvis den ikke fungerer korrekt.
 - Udløseren må aldrig fjernes eller fastlåses med tape.
3. Kontrol af maks. hastighed
 - Sørg for, at den angivne maksimale hastighed for bagskiven eller slibearkene er højere end eller lig med hastigheden angivet på slibemaskinen.
4. Kontrol af bagskive
 - Sørg for, at bagskiven ikke er revnet eller beskadiget.
 - Slibeskiven skal have de rette hulmål og være monteret korrekt på spindelen for at undgå uafbalancerede vibrationer.
 - Afmonter og udskift straks beskadigede støttepuder.
5. Kontrol af flange og bagskive
 - Afbryd altid for lufttilførslen, når bagskiven eller slibearket udskiftes, eller værktøjet justeres.
 - Sørg for, at flange- og skivekombinationen overholder de nationale bestemmelser.
 - Kontroller, at flangen er ren og ubeskadiget.
 - Sæt flangen på med det anbefalede tilspændingsmoment.
 - Prøvekør slibemaskinen i et beskyttet område efter montering af bagskiven.
 - Sørg for, at slibemaskinen fungerer korrekt.

6. Personlige værnemidler:
- Sørg for, at operatørerne bruger:
- Øjenværn, briller eller visir.
 - Høreværn.
 - Handsker.
 - Sko med beskyttelseståhætte.
 - Beskyttelsestøj som f.eks. et læderforklæde.
 - En hjelm (til tungere anvendelser).
 - Løsthængende tøj, hår, smykker (risiko for at blive fanget) er ikke tilladt.

7. Arbejdsområde

Kontroller, at der ikke er andre personer i arbejdsområdet, så ingen kan komme til skade.

- Mennesker i nærheden skal bære høre- og øjenværn.
- Se efter, at ventilationen og støvudsugningen fra lokalerne er tilstrækkelig effektiv.
- Sørg for, at der findes et stativ eller et sted, hvor det er sikkert at lægge værktøjet fra sig.
- Arbejd i et afskærmet område, om muligt, med beskyttelsesvægge. Der er risiko for, at knækkede bagskiver kan flyve af.

Under arbejdet

Hold op med at bruge værktøjet, hvis unormalt høje lyde og vibrationer opstår under brug.

Dette værktøj og dets tilbehør, må ikke modificeres.

Betjening

Installation/drift

Se skema 3.

1. Sørg altid for, at maskinen er frakoblet energikilden for at undgå utilsigtet betjening.
2. Monter tilbehøret korrekt på maskinen. Anvend spindel-låsen (1) til at hjælpe med at skifte tilbehør.
3. Tilslut enheden til en ren og tør lufttilførsel.
4. Indstil lufttryksregulatoren så der er 6,3 bar/90 PSIG ved værktøjet.
5. Brug et smøremiddel til luftledning med SAE #10-olie, indstillet til to dråber pr. minut.
6. Start maskinen ved at oplåse og nedtrykke sikkerhedshåndtaget (2). Slip sikkerhedshåndtaget for at stoppe.

Rotation af håndtaget

Se skema 4.

1. Sørg altid for, at maskinen er frakoblet energikilden for at undgå utilsigtet betjening.
2. Afmonter håndtaget (1).
3. Afmonter skruen (2).
4. Roter beslaget (3) til den ønskede position.
5. Stram skruen (2).

6. Installer håndtaget (1).

Efter afsluttet arbejde

⚠ ADVARSEL Afbrydelsen kan ikke vare længere end 5 sekunder.

- ▶ Kontroller, at værktøjet er slukket og standset helt, før det lægges ned.
- ▶ Standsningstiden afhænger af det anvendte slibemiddel.

Læg værktøjet forsigtigt ned for at sikre at det ikke starter af sig selv.

Reparation og vedligeholdelse

Vedligeholdelsesanvisninger

- **Følg landets miljølovgivning angående sikker håndtering og bortskaffelse af alle komponenter.**
- Vedligeholdelses- og reparationsarbejde skal udføres af kvalificeret personale som kun bruger originale reservedele. Kontakt fabrikanten eller din nærmeste autoriserede forhandler for rådgivning om teknisk service, hvis du skal bruge reservedele.
- Sørg altid for, at maskinen er frakoblet energikilden for at undgå utilsigtet betjening.
- Adskil og efterse værktøjet hver tredje måned (efter 500 timer), hvis det bruges hver dag. Udskift defekte eller slidte dele.
- Følgende servicesæt anbefales for at holde nedetiden til et minimum: **Tuningssæt**

Bortskaffelse

- Følg landets lovgivning ved bortskaffelse af dette materiel.
- Alt beskadiget, stærkt slidt eller forkert funktionerende udstyr **SKAL TAGES UD AF DRIFT.**

Nyttig information

Sikkerhedsdatasæt

Sikkerhedsdatabladet indeholder beskrivelser af kemiske produkter leveret af Chicago Pneumatic.

Se websiden tilhørende Chicago Pneumatic for yderligere oplysninger på qr.cp.com/sds.

Oprindelsesland

Hungary

Website

Information om vores produkter, tilbehør, reservedele og publikationer kan findes på vores websted for Chicago Pneumatic.

Gå ind på: www.cp.com.

Copyright

© Copyright 2023, CHICAGO PNEUMATIC Tool Co.LLC, 1815 Clubhouse Road, Rock Hill, SC 29730 - USA

Alle rettigheter forbeholdes. All uautoriseret brug eller kopiering af indholdet eller dele deraf er forbudt. Dette gælder især varemærker, modelbetegnelser, reservedelsnumre og tegninger. Brug kun autoriserede reservedele. All skade eller fejlfunktion som følge af brug af uautoriserede dele dækkes hverken af garantien eller produktansvaret.

Tekniske data

Verktøydata

Modeller	Tomgang (rpm)	Vekt (kg)	Vekt (lb)
CP3650-120AB	12000	1.8	4
CP3650-120AA	12000	1.8	4
CP3650-085AB	8500	1.8	4
CP3650-085AA	8500	1.8	4
CP3650-075AB	7500	1.8	4

Maksimalt arbeidstrykk

6.3 bar / 90 psig

Erklæringer

EU-Samsvarserklæring

Vi, CHICAGO PNEUMATIC Tool Co.LLC, 1815 Clubhouse Road, Rock Hill, SC 29730 - USA, erklærer under eget ansvar at produktet (Med navn, type og serienummer, se forsiden) er i samsvar med følgende direktiv(er):

2006/42/EC (17/05/2006)

Benyttede harmoniserte standarder:
EN ISO 11148-8:2011

Myndigheter kan be om relevant teknisk informasjon fra:

Pascal Roussy, R&D Manager, Ets Georges Renault, 38 rue Bobby Sands, BP10273 44818 Saint Herblain, France

Saint-Herblain, 2023/06/05
Pascal ROUSSY



Underskrift

Erklæring om støy- og vibrasjonsdemping

Lydnivå - ISO 15744

Modell	L _{pA} dB(A)	L _{WA} dB(A)
CP3650-120AB	93	104
CP3650-120AA	93	104
CP3650-085AB	93	104
CP3650-085AA	93	104
CP3650-075AB	90	101

L_{pA} dB(A): lydtryknivå

L_{WA} dB(A): lydeffektnivå

K / K_{pA} = K_{WA} = 3 dB: usikkerhet

Vibrasjonsnivå -ISO 28927-2

Modell	Vibrasjon (m/s ²)
CP3650-120AB	2.6
CP3650-120AA	2.6
CP3650-085AB	2.3
CP3650-085AA	2.3
CP3650-075AB	2

Disse erklærte verdiene er fremkommet under laboratorietesting i samsvar med angitte standarder og er egnet for sammenligning med de erklærte verdiene for andre verktøy testet i samsvar med de samme standardene. Disse erklærte verdiene er ikke tilstrekkelige for bruk i risikovurderinger, og verdier målt på individuelle arbeidsplasser kan være høyere. De faktiske eksponeringsverdiene og risikoen ved fare som den enkelte bruker opplever, er unike og avhenger av måten brukeren arbeider, arbeidsemnet og utformingen av arbeidsplassen samt eksponeringstid og brukerens fysiske tilstand.

Vi, CHICAGO PNEUMATIC Tool Co.LLC, kan ikke holdes ansvarlig for konsekvensen å bruke de erklærte verdiene, i stedet for verdier som reflekterer den faktiske eksponering, i en individuell risikovurdering i en arbeidsplassituasjon som vi ikke har noen kontroll over.

Dette verktøyet kan forårsake hånd-arm-vibrasjonssyndrom hvis det ikke håndteres riktig. En EU-veiledning for å administrere hånd-/armvibrasjon kan bli funnet ved å gå på <http://www.pneurop.eu/index.php> og velge «Tools» og deretter «Legislation».

Vi anbefaler at bedriftshelsetjenesten gjennomfører et program for å avdekke tidlige tegn på vibrasjonseksponering, slik at prosedyrene kan endres for å bidra til å unngå fremtidig svekkelse.

- ⓘ Dette utstyret er ment for faste applikasjoner: Støyemisjonen gis som en veiledning for maskinbyggen. Støy- og vibrasjonsemissionsdata for den fullstendige maskinen skal gis i instruksjonshåndboken for maskinen.

Regionale krav

⚠ ADVARSEL

Dette produktet kan utsette deg for kjemikalier inkludert bly, noe den amerikanske staten California regner som kreftfremkallende, som årsak til fosterskader og på andre måter som skadelig for forplantningsprosessen. For mer informasjon besøkes

<https://www.p65warnings.ca.gov/>

Sikkerhet

KAST IKKE BORT - GI TIL BRUKER

⚠ ADVARSEL Les alle sikkerhetsadvarslene, instruksjoner, illustrasjoner og spesifikasjoner som medfølger dette elektriske verktøyet.

Om man ikke følger instruksjonene under, kan det føre til elektrisk støt, brann og/eller alvorlige skader.

Ta vare på alle advarsler og anvisninger for fremtidig bruk.

⚠ ADVARSEL Alle lokale, lovbestemte sikkerhetsregler vedrørende installasjon, operasjon og vedlikehold skal overholdes til enhver tid.

Brukserklæring

- Kun til profesjonell bruk.
- Dette produktet og dets tilbehør må ikke på noen måte modifiseres.
- Ikke bruk dette produktet hvis det har blitt skadet.
- Dersom dataverktøyet eller farevarselskiltene på produktet ikke lenger er leselige eller løsner, må disse skiftes ut umiddelbart.
- Produktet må kun installeres, brukes og vedlikeholdes av en kvalifisert person i et industrielt monteringsmiljø.

Tiltenkt bruk

Dette produktet er utformet til å fjerne eller polere materiale ved bruk av belagte slipemidler eller poleringsutstyr. Annen bruk er ikke tillatt.

Generelle sikkerhetsinstruksjoner

ⓘ Tilleggsinformasjon angående bærbare lufttrykksverktøy:

- CAGI 2528 - B186.1, SIKKERHETSKODE FOR BÆRBARE LUFTTRYKKSVERKTØY, tilgjengelig fra Global Engineering Dokumenter på <https://global.ihs.com/> eller ring +1 800 447-2273. Ta eventuelt kontakt med ANSI via <http://www.ansi.org/> hvis det er vanskelig å få tak i ANSI standarder.

Farer forbundet med trykkluftholdere og -koblinger

- Luft under trykk kan forårsake alvorlige helseskader.
- Før du skifter tilbehør eller utfører reparasjoner, eller når trykkluftskilden ikke brukes, skal lufttilførselen alltid stenges av, trykk i slangen skal elimineres og verktøyet skal koples fra lufttilførselen.
- Rett aldri trykkluftstrålen mot deg selv eller andre.
- Slinger som slår tilbake kan forårsake alvorlig skade. Kontroller alltid for skadde eller løse slanger og koblingsdeler.
- Bruk aldri koblinger med hurtigutløser på verktøyet. Se instruksjonene for riktig monteringsmetode.
- Dersom man bruker universal vrikoblinger, skal en låsepinne er installert.
- Det maksimale lufttrykket må ikke overstige 6,3 bar/90 psig, eller som angitt på verktøyets typeskilt.

Kontroll fingerbeskytter (valgfri funksjon, se reservedelstlisten)

- Bruk alltid den anbefalte fingerbeskytteren, og sjekk at den ikke er skadet.
- Legg fingerbeskytteren mellom hånden din og slipeputen.
- Kontroller at fingerbeskytteren er ordentlig sikret.

Farer med sammenfloking

- Hold deg unna den bevegelige slipeskiven. Merk at slipemiddelet vil fortsette å gå etter at startventilen har lukket; for sandpapirslipemaskiner med dobbeltfunksjon, kan dette ta flere sekunder.
- Kveling/skalpering og/eller sår kan oppstå hvis løse klær, hansker, smykker, halskleder og hår ikke holdes unna verktøy og tilbehør.

Farer forbundet med prosjektiler

- Feil på tilbehør eller slipeenhet eller på arbeidsstykket, kan skape prosjektiler med høy hastighet. Selv små prosjektiler kan skade øynene og forårsake blindhet.
- Bruk alltid slagfast øye- og ansiktsbeskyttelse når du bruker eller er i nærheten av arbeidsområdet, ved reparasjon eller vedlikehold av verktøyet, eller når du skifter tilbehør på verktøyet.
- Sørg for at alle andre innenfor arbeidsområdet bruker slagfast øye- og ansiktsbeskyttelse.
- Hastigheten til en roterende slipemaskin eller poleringsmaskin bør måles daglig med et tachometer, så du kan være sikker på at den ikke er større enn det antallet omdreininger per minutt som er angitt på støtteputen, trommelen eller slipeskiven.
- Se til at festeplaten/slipeenheten er koblet til slipemaskinen ved bruk av de medfølgende verktøyene.
- Se til at arbeidsstykket er godt festet.

Farer forbundet med tilbehøret

- Steng alltid lufttilførselen, eliminer trykket i slangen og kople verktøyet fra trykkluftkilden når du skal skifte tilbehør.
- Bruk kun slipeskiver som har anbefalt størrelse og som er av riktig type.
- Du må aldri bruke en støttepute, trommel eller slipeskive med en maksimalt tillatt hastighet som er lavere enn hastigheten til den trykkluftdrevne slipemaskinen.
- Monter aldri en slipeskive eller en avkappingsskive på en slipemaskin. En slipeskive som sprekker, kan forårsake alvorlig skade eller død hvis den ikke er riktig beskyttet.
- Bruk kun slipeskiver eller papir med slipemiddelsbelegg, som settes fast på festeplaten som følger med den pneumatiske slipemaskinen. Forviss deg om at selvfestende slipeskiver monteres konsentrisk.

Farer under drift

- Operatører og vedlikeholdspersonell må være i fysisk stand til å behandle størrelsen, vekten og styrken av verktøyet.
- Hold verktøyet på korrekt måte: Vær klar til å reagere på normale eller plutselige bevegelser - ha begge hendene tilgjengelige.

- Du kan skjære deg, klemme deg eller brenne deg hvis du kommer borti sandpapirputen, slipemiddelet eller arbeidsbenken. Unngå kontakt og bruk egnede hansker for å beskytte hendene dine.
- Kontroller alltid festeplaten før bruk. Skal ikke brukes i sprukket eller brukket tilstand, eller hvis enheten har falt ned.
- Ikke bruk maskinen hvis ikke slipeskiven ligger an mot arbeidsemnet
- Det er fare for elektrostatisk utladning hvis den brukes på plast eller andre ikke-ledende materialer.
- Når du bruker et verktøy som er beregnet til å skulle brukes med vern må vernet være på plass for å gi beskyttelse fra slipespon og annet avfall.

Repeterende bevegselsfarer

- Ved bruk av et elektrisk verktøy til å utføre arbeidsrelaterte aktiviteter kan operatøren oppleve ubehag i hender, armer, skuldre, nakke eller andre deler av kroppen.
- Innta en behagelig posisjon mens du beholder godt fotfeste og unngår en upraktisk eller ubalansert stilling. Hvis du skifter stilling under langvarige oppgaver, kan dette hjelpe deg til å unngå ubehag og tretthet.
- Ikke ignorer symptomene, slik som vedvarende eller tilbakevendende ubehag, smerte, pulserende, verkende, prikkende, nummende, brennende følelse eller stivhet. Stopp bruken av verktøyet, gi arbeidsgiveren din beskjed og oppsøk lege.

Støy- og vibrasjonsfarer

- Høye lydnivåer kan forårsake varig hørselstap og andre problemer, slik som tinnitus. Bruk hørselsvern som anbefalt av arbeidsgiver eller helse- og sikkerhetsforskrifter på arbeidsplassen.
- Vibrasjoner kan forårsake uferhetsskader på nerver og hindre blodtilførselen til hender og armer. Bruk varme klær og hold hender varme og tørre. Hvis det oppstår nummenhet, prikking, smerte eller fargetap i huden, skal du slutte å bruke verktøyet, gi beskjed til din arbeidsgiver og kontakte lege.
- Hold verktøyet i et lett, men trygt grep, fordi risikoen fra vibrasjonen generelt sett er større når grepskraften er høyere. Der det er mulig, støtt vekten til verktøyet med en balanseinnretning.
- For å unngå unødvendige økninger i støy- og vibrasjonsnivåer:
 - Sørg for at bruk og vedlikehold av verktøyet, samt utvalg, vedlikehold og utskifting av tilbehør og forbruksvarer, skjer i henhold til denne bruksanvisningen.
 - Bruk dempende materialer for å forhindre at arbeidsstykkene "ringer".

Farer på arbeidsplassen

- Å skli/snuble/falle er en hyppig årsak til alvorlig skade eller død. Vær oppmerksom på overflødig deler av slangen på bakken der man går eller arbeider.
- Unngå å puste inn støv eller damp og å håndtere helseskadelige avfallsprodukter fra arbeidsprosessen (som kan forårsake for eksempel kreft, fødselsdefekter,

astma og/eller dermatitt). Bruk støvavsug og pusteutstyr når du arbeider med materialer som avgir luftbårne partikler.

- Enkelte typer støv som frigjøres ved sandblåsing, saging, sliping, boring og andre byggeaktiviteter inneholder kjemikalier som den amerikanske staten California regner som kreftfremkallende, som årsak til fosterskader og på andre måter skadelig for forplantningsprosessen. Dette er noen eksempler på slike kjemikalier:
 - Bly fra blyholdig maling
 - Blokker av krystallinsilika, sement og andre murprodukter
 - Arsenikk og krom fra kjemikaliebehandlet gummi

Den helsefaren som utgår fra slike produkter varierer, avhengig av hvor ofte du utfører denne type arbeid. For å redusere din eksponering for disse kjemikaliene: Jobb alltid på et godt ventilert område, bruk godkjent sikkerhetsutstyr som f.eks. støvmasker som er spesielt utviklet for å filtrere bort mikroskopiske partikler.

- Gå varsomt frem i uvante omgivelser. Det kan finnes skjulte farer, som elektriske ledninger, rør e.l.
- Potensielt eksplosive atmosfærer kan forårsakes av støv og damper som skyldes sandblåsing eller sliping. Bruk et støvavtrekk eller undertrykkssystem som egner seg for det materialet som behandles.
- Verktøyet er ikke beregnet til bruk i en potensielt eksplosiv atmosfære og er ikke isolert fra å komme i kontakt med elektrisk strøm.

Produktspesifikke instruksjoner

Generell driftssikkerhet

Før du starter arbeidet

1. Kontroll av tomgangen
 - Hastigheten, målt ved et trykk på 6.3 bar / 90 PSIG, må ikke overskride slipemaskinens nominelle hastighet.
 - Fjern festeplaten og den ytre flensen før kontroll av den fri hastigheten.
 - Utfør kontroll av fri hastighet daglig, spesielt etter en lang driftsfri periode.
 - Se til at hastighetsmarkeringen på verktøyet er leselig.
 - Lever inn verktøyet til reparasjon når hastigheten er for høy.
2. Kontroll av utløser
 - Pass på at utløseren fungerer korrekt.
 - Bytt utløseren hvis den ikke fungerer korrekt.
 - Utløseren må aldri fjernes eller låses med tape.
3. Kontroll av maksimal hastighet.
 - Se til at den angitte maksimale hastigheten på festeplaten og slipearket er høyere enn eller lik hastigheten som er markert på slipemaskinen.

4. Kontroll av monteringssskive
 - Se til at monteringssskiven ikke er sprukket eller skadet.
 - Pass på at monteringssskiven har riktig hulldimensjon og monteres riktig til spindelen for å unngå ubalanserte vibrasjoner.
 - Fjern og skift ut skadet monteringssskive straks.
5. Kontroll av flens og monteringssskive
 - Koble alltid fra luftforsyningen når du skifter festeplaten eller slipearket, eller når verktøyet justeres.
 - Se til at flens- og platekombinasjonene samsvarer med nasjonale forskrifter.
 - Pass på at flensen er ren og uskadd.
 - Fest på flensen med anbefalt moment.
 - Testkjør slipemaskinen i et beskyttet område etter montering av skiven.
 - Pass på at slipemaskinen fungerer korrekt.
6. Personlig verneutstyr

Pass på at operatøren bruker:

 - Øyebeskyttelse, briller eller skjerm.
 - Hørselvern
 - Hansker
 - Sko med vernetå
 - Verneklær, slik som et skinnforkle.
 - Hjelm (for kraftigere bruksområder)
 - Unngå at klær, hår, smykker henger løst (fare for å fanges inn).
7. Arbeidsområde

Se til at arbeidsområdet holdes fritt for andre personer, slik at ingen kan bli skadet.

 - Personer i nærheten må bruke hørsel- og øyevern.
 - Sørg for tilstrekkelig ventilasjonen og støvavsug på arbeidsområdet.
 - Pass på at det finnes en benk eller annet sted hvor du kan legge fra deg verktøyet sikkert.
 - Jobb innenfor et avstengt område, hvis mulig med beskyttelsesvegger. Det er fare for at ødelagte monteringssskiver kan bli slynget avsted.

Under arbeid

Stopp bruken av verktøyet hvis unormalt høy støy og vibrasjoner oppstår under bruk.

Verktøyet og tilbehøret må ikke på noen måte modifiseres.

Betjening

Installasjon / Bruk

Se Skjema 3

1. Sørg alltid for at maskinen er frakoblet strømtilførselen for å unngå driftsulykker.
2. Monter tilbehøret ordentlig til verktøyet. Bruk spindel-lås (A) for å hjelpe til med å skifte tilbehør.

3. Koble enheten til en rent og tørr lufttilførsel.
4. Juster lufttrykkregulatoren slik at den har 6,3 bar / 90 PSIG ved verktøyet.
5. Bruk luftlinjesmøring med SAE #10 olje, justert til to dråper per minutt.
6. Start maskinen ved å låse opp og trykke på sikkerhetsspaken (2). Slipp sikkerhetsspaken for å stoppe.

Rotere håndtaket

Se skjema 4.

1. Sørg alltid for at maskinen er frakoblet strømtilførselen for å unngå driftsulykker.
2. Fjern håndtaket (1).
3. Fjern skruen (2).
4. Monter braketten (3) til ønsket stilling.
5. Stram skruene (2).
6. Installer håndtaket (1)

Etter at arbeidet er fullført

 **ADVARSEL** Stoppetiden kan være lenger enn 5 sekunder.

- ▶ Se til at verktøyet er slått av og har stoppet helt før det legges ned.
- ▶ Stoppetiden avhenger av slipemiddelet som brukes.

Sett ned verktøyet forsiktig for å sikre at verktøyet ikke starter av seg selv/av seg selv.

Service og Vedlikehold

Vedlikeholdsinstruksjoner

- **Følg miljøbestemmelsene i det lokale landet for sikker håndtering og avhending av alle komponenter.**
- Vedlikehold og reparasjonsarbeid må kun utføres av kvalifisert personell som kun benytter originale reservedeler. Kontakt produsenten eller din nærmeste autoriserte forhandler for veiledning eller teknisk service dersom du trenger reservedeler.
- Sørg alltid for at maskinen er frakoblet strømtilførselen for å unngå driftsulykker.
- Demonter og inspiser verktøyet hver 3. måned (500 timer) hvis verktøyet brukes hver dag. Erstatt skadede eller slitte deler.
- For å holde nedetiden til et minimum, anbefales følgende servicesett: **Tune-up kit**

Avhending

- Lovverket i det respektive landet må følges for avhending av dette utstyret.
- Alle skadede, slitte eller feilfungerende enheter **MÅ TAS UT AV DRIFT.**

Nyttig informasjon

Sikkerhetsdatablad

Sikkerhetsdatabladet beskriver de kjemiske produktene solgt av Chicago Pneumatic.

Vennligst se Chicago Pneumatic nettsider for mer informasjon qr.cp.com/sds.

Opphavsland

Hungary

Nettsider

Du finner informasjon vedrørende produkter, tilbehør, reservedeler og publiserte saker på Chicago Pneumatic-nettsidet.

Besøk siden: www.cp.com.

Opphavsrett

© Copyright 2023, CHICAGO PNEUMATIC Tool Co.LLC, 1815 Clubhouse Road, Rock Hill, SC 29730 - USA

Alle rettigheter forbeholdes. All uautorisert bruk eller kopiering av innholdet eller en del av dette er forbudt. Dette gjelder spesielt for varemerker, modellbetegnelser, delenumre og tegninger. Bruk kun autoriserte deler. Skader eller feilfunksjoner som forårsakes av bruk av uautoriserte deler, dekkes ikke av garantien eller produktansvaret.

Tekniset tiedot

Työkalutiedot

Mallit	Kuormittam- aton nopeus (r/min)	Paino (kg)	Paino (naula)
CP3650-120AB	12000	1.8	4
CP3650-120AA	12000	1.8	4
CP3650-085AB	8500	1.8	4
CP3650-085AA	8500	1.8	4
CP3650-075AB	7500	1.8	4

Suurin sallittu käyttöpain

6.3 bar / 90 psig

Vakuutukset

EU-vaatimusten mukaisuusvakuutus

Me, CHICAGO PNEUMATIC Tool Co.LLC, 1815 Clubhouse Road, Rock Hill, SC 29730 - USA, vakuutamme yksinomaisella vastuulamme, että tuote (nimi, tyyppi ja sarjanumero, katso etusivu) on yhdenmukainen seuraavien direktiivien kanssa:

2006/42/EC (17/05/2006)



Sovelletut yhdenmukaistetut standardit:

EN ISO 11148-8:2011

Viranomaiset voivat pyytää asiaan liittyvät tekniset tiedot seuraavasta osoitteesta:

Pascal Roussy, R&D Manager, Ets Georges Renault, 38 rue Bobby Sands, BP10273 44818 Saint Herblain, France

Saint-Herblain, 2023/06/05

Pascal ROUSSY

Allekirjoitus

Melu- ja värinädirektiivin selonteko

Äänitaso – ISO 15744

Malli	L _{pA} dB(A)	L _{WA} dB(A)
CP3650-120AB	93	104
CP3650-120AA	93	104
CP3650-085AB	93	104
CP3650-085AA	93	104
CP3650-075AB	90	101

L_{pA} dB(A): äänenpainetaso

L_{WA} dB(A): äänentehotaso

K / K_{pA} = K_{WA} = 3 dB: mittausepävarmuus

Tärinätaso – ISO 28927-2

Malli	Tärinä (m/s ²)
CP3650-120AB	2.6
CP3650-120AA	2.6
CP3650-085AB	2.3
CP3650-085AA	2.3
CP3650-075AB	2

Nämä ilmoitetut arvot saatiin laboratoriotyypisissä testeissä mainittujen standardien mukaisesti. Arvot soveltuvat vertailuun toisten testattujen työkalujen vastaavien arvojen kanssa, kun testaus on tehty samojen standardien puitteissa. Ilmoitetut arvot eivät ole riittäviä riskianalyysojen tekemiseen, ja yksittäisistä työpisteistä mitatut arvot saattavat olla tässä ilmoitettuja arvoja korkeampia. Hetkelliset altistusarvot ja yksittäisen käyttäjän vahingoittumisriski ovat ainutkertaisia ja ne riippuvat siitä, miten käyttäjä työskentelee, mitä hän työstää, miten työpiste on suunniteltu, miten pitkään hän altistuu ja siitä, millaisessa fyysisessä kunnossa käyttäjä on.

Me CHICAGO PNEUMATIC Tool Co.LLC, emme ole vastuussa ilmaistujen arvojen käytöstä syntyvistä seuraamusista todellista altistumista vastaavien arvojen sijaan työpaikan tilanteen yksittäisessä riskiarvioinnissa, jota emme voi hallita.

Tämä työkalu voi aiheuttaa käsien ja käsivarsien värinämistä, jos sitä ei käytetä oikealla tavalla. Käsitärinän hallintaa koskeva EU-opas löytyy osoitteesta <http://www.pneuop.eu/index.php>. Valitse "Työkalut" ja sen alta kohta "Lainsäädäntö".

Suositamme säännöllisiä terveystarkastuksia tärinäaltistuksen aiheuttamien, tärinäsaarauteen viittaavien oireiden havaitsemiseksi ajoissa, jotta työohjauksella ja työympäristöön vaikuttavilla toimilla voidaan estää oireiden paheneminen tulevaisuudessa.

- i** Jos tämä laite on tarkoitettu kiinteisiin sovelluksiin: Melupäästöarvot ovat ohjeellisia koneenrakentajaa varten. Koko koneen melu- ja tärinäpäästötiedot on ilmoitettava koneen käyttöohjeessa.

Alueelliset vaatimukset

VAROITUS

Tuote voi altistaa käyttäjän kemikaaleille, kuten lyijylle, jonka Kalifornian osavaltiossa tiedetään aiheuttavan syöpää ja synnynnäisiä epämuodostumia tai muuta lisääntymishaittaa. Katso lisätietoja osoitteesta

<https://www.p65warnings.ca.gov/>

Turvallisuus

ÄLÄ HÄVITÄ – ANNETTAVA KÄYTTÄJÄLLE

- VAROITUS** Lue tämän sähkötyökalun mukana toimitetut kaikki turvallisuusvaroitukset, ohjeet, kuvaukset ja tekniset tiedot.

Jos kaikkia alapuolella kuvattuja ohjeita ei noudateta, seurauksena voi olla sähköisku, tulipalo ja/tai vakava henkilövahinko.

Säilytä kaikki varoitukset ja ohjeet myöhempää käyttöä varten.

- VAROITUS** Kaikkia paikallisia turvallisuusohjeita koskien asennusta, käyttöä ja huoltoa on aina noudatettava.

Käyttötiedote

- Vain ammattikäyttöön.
- Tätä tuotetta ja sen lisälaitteita ei saa muuttaa millään tavalla.
- Älä käytä tuotetta, jos se on vaurioitunut.
- Jos tuotteen tietojen tai vaarasta varoittavat kyltit eivät ole enää selvästi luettavissa tai irtoavat, ne on vaihdettava välittömästi.
- Vain pätevä henkilö saa asentaa, käyttää ja huoltaa tuotetta teollisuusympäristössä.

Tarkoituksenmukainen käyttö

Tämä tuote on tarkoitettu materiaalien poistoon tai kiillotukseen käyttämällä hiontamateriaaleja tai kiillotusvarusteita. Muut käyttötavat ovat kiellettyjä.

Yleiset turvamääräykset

- i** Turvallisuuteen liittyviä lisätietoja kannettavista paineilmatyökaluista:

- CAGI 2528 - B186.1, SAFETY CODE FOR PORTABLE AIR TOOLS (Paineilmatyökalujen turvallisuussäännöstö), saatavilla Global Engineering Documents -organisaatiosta osoitteesta <https://global.ihs.com/> tai numerosta +1 800 447-2273. Jos ANSI-standardien saanti osoittautuu vaikeaksi, ota yhteys ANSI:in osoitteessa <https://www.ansi.org/>

Paineilmaan ja liitännöihin liittyvät vaarat

- Paineilma voi aiheuttaa vakavia vammoja.
- Katkaise aina ilmansyöttö, poista paine putkistosta ja irrota työkalu ilmansyöttölähteestä, kun sitä ei käytetä, ennen lisävarusteiden vaihtamista tai tehtäessä korjauksia.
- Älä koskaan suuntaa paineilmaa itseäsi tai ketään muuta kohti.
- Hallitsemattomasti liikkuvat letkut voivat aiheuttaa vakavia vammoja. Tarkasta aina, että letkut ja liitokset ovat ehjiä ja tiukasti kiinni.
- Älä käytä pikaliitoksia. Lue asennusohjeet oikean asennuksen varmistamiseksi.
- Jos käytetään yleiskäyttöisiä kierrelitiitoksia, niihin on asennettava lukitustapit.
- Ilmanpaine ei saa ylittää 6,3 baaria (90 psig) tai työkalun tyyppikilvessä ilmoitettua painetta.

Sormisuojuksen tarkastus (valinnainen ominaisuus, katso varaosaluettelo)

- Käytä suositeltua sormisuojusta ja varmista, että se on vahingoittumaton.
- Laita sormisuojaus kätesi ja hiomalaikan väliin.
- Tarkasta, että sormisuojaus on kiinnitetty oikein.

Kiinni takertumisen vaara

- Pysy kaukana liikkuvasta hiomalaipasta. Huomaa, että hiomaosa käy edelleen käynnistysventtiilin sulkeutumisen jälkeen; kaksitoimisissa hiomakoneissa se saattaa jatkaa useiden sekuntien ajan.
- Vaatteiden, käsineiden, korujen, solmion, huivin tai hiusten takertuminen työkaluun tai sen varusteisiin voi johtaa tukehtumiseen, päänahan irtoamiseen ja/tai syviin haavoihin.

Sinkoilevien kappaleiden aiheuttamat vaarat

- Tarvikkeiden, hiontamateriaalien tai työkalujen vika, voi luoda nopeasti lentäviä kappaleita. Pienetkin kappaleet voivat vaurioittaa silmiä ja aiheuttaa sokeutumisen.
- Käytä aina iskunkestäviä suojalaseja ja kasv suojusta työkalun käyttö-, korjaus- ja huoltoalueella tai niiden läheisyydessä sekä osien vaihdon yhteydessä.
- Varmista, että muut samalla alueella olevat käyttävät iskunkestäviä suojalaseja ja kasv suojuksia.
- Mittaa pyöröhiomakoneen tai kiillotuskoneen pyörimisnopeus takometrillä päivittäin varmistaaksesi, että se ei ole suurempi kuin laikka-alustaan, rumpuun tai hiontamateriaaliin merkitty kierrosnopeus (RPM).

- Varmista, että tukilaippa/hiomalaiikka on luotettavasti kiinnitetty hiomakoneeseen mukana toimitettuja työkaluja käyttämällä.
- Varmista, että työstettävä kappale on kiinnitetty kunnolla.

Lisävarusteisiin liittyvät vaaratekijät

- Katkaise aina ilmansyöttö, vapauta ilmanpaine letkusta ja irrota työkalu ilmansyöttölähteestä ennen osien vaihtamista.
- Käytä vain suositellun kokoisia ja tyyppisiä hiontamateriaaleja.
- Älä koskaan käytä tukilaippaa, rumpua tai hiomalaiikkaa sallitulla nopeudella, joka on pienempi kuin paineilmahiomakoneen nopeus.
- Älä koskaan asenna suojusta vaativaa hioma- tai katkaisulaikkaa hiomakoneeseen. Rikkoutuva laikka voi aiheuttaa vakavia tapaturmia tai kuoleman.
- Käytä ainoastaan pintakäsiteltyjä hiomalevyjä tai arkkeja, jotka on kiinnitetty kunnolla paineilmahiomakoneen mukana toimitettuun tukilaippaan. Varmista, että itsekiinnittyvät smirgelilaikat asennetaan samankeskisästi.

Käyttövaarat

- Käyttäjien ja huoltajien on pystyttävä fyysisesti käsittelemään työkalun kokoa, painoa ja voimaa.
- Pitele työkalua oikein: ole valmis korjaamaan normaali tai äkinäinen liike – pidä molemmat kädet valmiina.
- Hiomaosat, hiontamateriaalit tai työskentelypinta voivat aiheuttaa haavoja, puristumisia tai palovammoja, jos joudut kosketuksiin niiden kanssa. Vältä kosketusta ja käytä sopivia turvakäsineitä käsiesi suojaamiseksi.
- Tarkasta tukilaippa ennen jokaista käyttökertaa. Älä käytä sitä, jos havaitset halkeamia tai rikkoutumia tai jos se on pudotettu.
- Älä koskaan käytä työkalua, ellei hiontamateriaalia ole kohdistettu työstettävään kappaleeseen.
- Jos työkalua käytetään muoviin ja muihin sähköä johtamattomiin materiaaleihin, vaarana on sähköstaattinen purkaus.
- Jos työkalu on tarkoitettu käytettäväksi suojuksen kanssa, suojuksen tulee olla paikallaan, jotta se suojaa hiomalasuilta ja muilta roskilta.

Toistuvien liikkeiden aiheuttamat vaarat

- Kun sähkötyökalua käytetään työtehtävissä, käyttäjä saattaa tuntea epämukavuutta käsissä, käsivarsissa, hartioissa, niskassa ja muissa kehonosissa.
- Työskentele miellyttävässä mutta tukevassa asennossa ja vältä hankalia työasentoja ja epätasapainoa. Asennon vaihto pidempään kestävässä tehtävässä voi auttaa välttämään epämukavuutta ja väsymistä.
- Älä jätä oireita huomioimatta, kuten jatkuvaa tai toistuvaa epämukavuutta, kipua, pakotusta, särkyä, pistelyä, tunnottomuutta, polttavaa tunnetta tai jäykkyyttä. Keskeytä työkalun käyttö, kerro siitä työnantajalle ja ota yhteys lääkäriin.

Melu- ja värinävaarat

- Kovat äänet voivat aiheuttaa pysyviä kuulovaurioita ja muita ongelmia, kuten tinnitusta. Käytä työnantajan tai työterveys- ja työturvallisuusmääräysten suosittelemaa kuulosuojaimia.
- Tärinälle altistuminen voi aiheuttaa vammauttavia vahinkoja hermoissa sekä käsien ja käsivarsien verenkierron. Pukeudu lämpimästi ja pidä kädet lämpiminä ja kuivina. Jos havaitset tunnottomuutta, pistelyä, kipua tai ihon kalpenemista, keskeytä työkalun käyttö, kerro siitä työnantajalle ja ota yhteys lääkäriin.
- Pidä työkalusta kiinni kevyesti mutta turvallisesti, sillä tärinästä aiheutuva riski on yleensä sitä voimakkaampaa, mitä kovemalla voimalla työkalusta pidetään kiinni. Tue työkalun paino tasapainottimella aina, kun se on mahdollista.
- Melu- ja värinätasojen tarpeettoman nousun välttäminen:
 - Käytä ja huolla työkalua ja valitse, huolla ja vaihda varusteet ja lisätarvikkeet tämän käyttöohjeen mukaisesti.
 - Käytä vaimennusmateriaaleja työkaluun "soimisen" välttämiseksi.

Työpaikkaan liittyvät vaarat

- Liukastuminen, kompastuminen tai kaatuminen voi johtaa vakavaan tapaturmaan tai kuolemaan. Varo lattialla tai työalustalla olevia letkuja.
- Vältä pölyn tai höyryjen hengittämistä ja työskentelyjätteiden käsittelemistä, jotka voivat aiheuttaa terveyshaittoja (esimerkiksi syöpää, vastasyntyneiden epämuodostumia, astmaa ja/tai ihotulehdusta (dermatiittia)). Käytä pölynpoistoa ja hengityssuojainta, kun työstettävistä materiaaleista irtoaa ilmaan hiukkasia.
- Jotkut hionnassa, sahauksessa, rouhinnassa, porauksessa ja muissa rakennustöissä syntyvät pölyt sisältävät kemikaaleja, jotka Kalifornian osavaltion mukaan aiheuttavat syöpää, synnyttäviä epämuodostumia ja hedelmättömyyttä. Esimerkkejä tällaisista kemikaaleista:
 - lyijypohjaisista maaleista lähtöisin oleva lyijy
 - tiiliä, sementistä ja muista muurausaineista lähtöisin oleva kiteinen piidioksidi
 - kemiallisesti käsitellystä kumista lähtöisin oleva arsenikki ja kromi.

Altistumisen riski näille kemikaaleille riippuu siitä, kuinka usein teet tämänkaltaista työtä. Voit vähentää altistumista näille kemikaaleille seuraavasti: työskentele hyvin tuuletetussa tilassa ja käytä hyväksytyjä suojava-lineitä, kuten hengityssuojaimia, jotka suodattavat mikroskooppisen pienet hiukkaset.

- Noudata erityistä varovaisuutta vieraassa työympäristössä. Paikalla voi olla piilovaaroja, kuten sähkö-, kaasu-, vesi- tai muita johtoja.
- Hiominen ja rouhinta tuottavat pölyä ja höyryjä, jotka voivat tehdä ympäristöilmasta räjähdysalttiin. Käytä aina työstettävälle materiaaleille soveliaita pölynpoistomenetelmiä.
- Tätä työkalua ei ole tarkoitettu käytettäväksi räjähdysalttiissa ympäristössä eikä sitä ole eristetty suojaamaan sähkötapaturmilta sen koskettaessa sähkövirtalähteitä.

Tuotekohtaiset ohjeet

Yleinen käyttöturvallisuus

Ennen työn aloittamista

- Vapaan nopeuden tarkastus
 - Nopeus ei saa 6,3 baarin / 90 PSIG paineessa mitattuna ylittää hiomakoneeseen merkittyä nimellisuopeutta.
 - Irrota tukilaippa ja ulkolaikka ennen vapaan nopeuden tarkastamista.
 - Suorita vapaan nopeuden tarkastukset päivittäin etenkin silloin, kun laitetta ei ole käytetty pitkään aikaan.
 - Varmista, että nopeusmerkintä työkalussa on luettavissa.
 - Palauta työkalu korjattavaksi, jos se käy ylikieroksilla.
- Liipaisimen tarkastus
 - Varmista, että liipaisin toimii oikein.
 - Vaihda liipaisin, jos se ei toimi oikein.
 - Älä koskaan poista liipaisinta tai lukitse sitä teipillä.
- Maksiminopeuden tarkastus
 - Varmista, että tukilaipassa ja hiomalevyssä ilmoitettu maksiminopeus on suurempi tai yhtä suuri kuin hiomakoneeseen merkitty nopeus.
- Tukilaipan tarkastus
 - Tarkasta silmämääräisesti, että tukilaippa ei ole halkeillut tai vaurioitunut.
 - Varmista, että tukilaipan reikä on oikean kokoinen ja että se on kiinnitetty oikein karaan, jotta epätasapainon aiheuttamaa värinää ei synny.
 - Irrota ja vaihda vioittunut tukilaippa välittömästi.
- Laikan ja tukilaipan tarkastus
 - Kytke aina paineilmansyöttö irti ennen tukilaipan tai hiomalevyn vaihtamista tai työkalun säätöä.
 - Varmista, että laikka- ja tukilaippayhdistelmät vastaavat kansallisia määräyksiä.
 - Varmista, että laikka on puhdas ja vaurioitumaton.
 - Kiinnitä laikka suositellulla kiristysmomentilla.
 - Suorita hiomakoneen koekäyttö suojatulla alueella tukilaipan asennuksen jälkeen.
 - Varmista, että hiomakone toimii oikein.
- Henkilösuojavarusteet:

Varmista, että käyttäjät käyttävät:

 - Silmäsuojia, suojalaseja tai kasvosuojusta.
 - Kuulosuojaimia
 - Käsineitä
 - Teräskärkisiä kenkiä
 - Suojavaatteita, kuten nahkaesiliinaa
 - Kypärää (raskaammassa sovelluksessa)
 - Älä pidä väljästi roikkuvia vaatteita, hiuksia tai koruja (kiinnittarttumisen vaara).

7. Työskentelyalue

Varmista, että työskentelyalueella ei ole muita sivullisia ihmisiä henkilövahinkojen välttämiseksi.

- Lähistöllä olevien henkilöiden on myös käytettävä silmä- ja kuulosuojaimia.
- Varmista, että työskentelytilan ilmanvaihto ja pölynpoisto ovat riittävät.
- Varmista, että käytettävissä on jalusta tai paikka, jolle työkalu voidaan laittaa turvallisesti.
- Työskentele eristetyllä alueella – suojattujen seinämien sisällä, jos mahdollista. Vaurioitunut tukilaippa saattaa sinkoutua pois laitteesta.

Työn aikana

Lopeta työkalun käyttö, jos epätavallista ääntä ja värinää esiintyy työkalun käytön aikana.

Tätä työkalua tai sen osia ei saa muuttaa millään tavalla.

Käyttäminen

Asennus/Käyttö

Katso kaavio 3.

- Varmista aina, että laite on kytketty irti virtalähteestä, jottei laite käynnisty vahingossa.
- Kiinnitä varusteet koneeseen kunnolla. Käytä karan lukitusta (1) apuna varusteiden vaihdossa.
- Liitä laite puhtaaseen ja kuivaan paineilmansyöttöön.
- Säädä paineilmansäädin 6,3 baariin / 90 PSIG työkalussa.
- Käytä SAE #10 -öljyä ja ilmanvoitelijaa, joka on säädetty kahteen pisaraan minuutissa.
- Käynnistä kone avaamalla turvavivun (2) lukitus ja painamalla vipua. Pysäytä vapauttamalla turvavipu.

Kahvan pyörittäminen

Katso kaavio 4.

- Varmista aina, että laite on kytketty irti virtalähteestä, jottei laite käynnisty vahingossa.
- Irrota kahva (1).
- Irrota ruuvi (2).
- Käännä kiinnike (3) haluttuun asentoon.
- Kiristä ruuvi (2).
- Asenna kahva (1).

Työn päätyttyä

⚠ VAROITUS Pysähtymisaika voi olla 5 sekuntia pitempi.

- Varmista, että työkalu on sammutettu ja täysin pysähtynyt ennen sen laskemista alas.
- Pysähtymisaika riippuu käytetystä hiontamateriaalista.

Laita työkalu alas varovaisesti varmistaaksesi, että työkalu ei käynnisty itseksensä.

Huolto ja ylläpito

Huolto-ohjeet

- Noudata paikallisen maan ympäristömääräyksiä kaikkien komponenttien turvallista käsittelyä ja hävittämistä varten.
- Ainoastaan pätevät henkilöt saavat suorittaa huolto- ja korjaustöitä, ja niissä tulee käyttää ainoastaan alkuperäisiä varaosia. Ota yhteys valmistajaan tai lähimpään valtuutettuun jälleenmyyjään, jos tarvitset teknistä huoltoa koskevia neuvoja tai varaosia.
- Varmista aina, että laite on kytketty irti virtalähteestä, jottei laite käynnisty vahingossa.
- Pura ja tarkista työkalu kolmen kuukauden (500 tuntia) välein, jos sitä käytetään joka päivä. Vaihda vaurioituneet tai kuluneet osat.
- Seuraavaa huoltosarjaa suositellaan seisokkien minimoimiseen: **Vurityssarja**

Hävitys

- Maasi lainsäädäntöä tulee noudattaa laitteiston hävittämisessä.
- Kaikki vahingoittuneet, erittäin kuluneet tai viallisesti toimivat laitteet **TÄYTYY POISTAA KÄYTÖSTÄ.**

Hyödyllistä tietoa

Käyttöturvallisuustiedote

Käyttöturvallisuustiedote kuvaa Chicago Pneumaticin myymiä kemikaalituotteita.

Katso lisätietoja Chicago Pneumaticin verkkosivustolta qr.cp.com/sds.

Alkuperämaa

Hungary

Verkkosivusto

Tietoa yrityksemme tuotteista, lisälaitteista, varaosista ja julkaisuista on Chicago Pneumatic -sivustolla.

Käy osoitteessa: www.cp.com.

Copyright

© Copyright 2023, CHICAGO PNEUMATIC Tool Co.LLC, 1815 Clubhouse Road, Rock Hill, SC 29730 - USA

Kaikki oikeudet pidätetään. Sisällön tai sen osan luvaton käyttö tai kopiointi on kielletty. Se koskee erityisesti tavaramerkkejä, mallinimityksiä, osanumeroita ja piirustuksia. Käytä vain hyväksytyjä varaosia. Takuu tai tuotevastuu ei korvaa mitään vaurioita tai toimintahäiriöitä, jotka johtuvat luvattomien varaosien käytöstä.

Τεχνικά δεδομένα

Στοιχεία εργαλείου

Μοντέλα	Ελεύθερη ταχύτητα (rpm)	Βάρος (kg)	Βάρος (lb)
CP3650-120AB	12000	1.8	4
CP3650-120AA	12000	1.8	4
CP3650-085AB	8500	1.8	4
CP3650-085AA	8500	1.8	4
CP3650-075AB	7500	1.8	4

Μέγιστη πίεση λειτουργίας

6.3 bar / 90 psig

Δηλώσεις

Δήλωση Συμμόρφωσης ΕΕ

Εμείς, η **CHICAGO PNEUMATIC Tool Co.LLC**, 1815 Clubhouse Road, Rock Hill, SC 29730 - USA, δηλώνουμε με αποκλειστική μας ευθύνη ότι το προϊόν (με όνομα, τύπο και σειριακό αριθμό, βλ. εξώφυλλο) συμμορφώνεται με την ακόλουθη(ες) Οδηγία (-ες):

2006/42/EC (17/05/2006)

Ισχύοντα εναρμονισμένα πρότυπα:

EN ISO 11148-8:2011

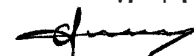
Οι αρχές μπορούν να ζητήσουν τις σχετικές τεχνικές πληροφορίες από:

Pascal Roussy, R&D Manager, Ets Georges Renault, 38 rue Bobby Sands, BP10273 44818 Saint Herblain, France

Saint-Herblain, 2023/06/05

Pascal ROUSSY

Υπογραφή




Έγγραφο δήλωση επιπέδου θορύβου & δονήσεων

Στάθμη θορύβου - ISO 15744

Μοντέλο	L _{pA} dB(A)	L _{WA} dB(A)
CP3650-120AB	93	104
CP3650-120AA	93	104
CP3650-085AB	93	104
CP3650-085AA	93	104
CP3650-075AB	90	101

L_{pA} dB(A): στάθμη ηχητικής πίεσης

L_{WA} dB(A): στάθμη ηχητικής ισχύος

K / K_{pA} = K_{WA} = 3 dB: αβεβαιότητα

Στάθμη κραδασμών - ISO 28927-2

Μοντέλο	Δόνηση (m/s ²)
CP3650-120AB	2.6
CP3650-120AA	2.6
CP3650-085AB	2.3
CP3650-085AA	2.3
CP3650-075AB	2

Οι τιμές που δηλώνονται εξακριβώθηκαν μέσω εργαστηριακών δοκιμών σε συνάρτηση με τα αναφερόμενα πρότυπα και μπορούν να χρησιμοποιηθούν για σύγκριση με τις δηλωμένες τιμές άλλων εργαλείων που υποβλήθηκαν σε δοκιμή σύμφωνα με τα ίδια πρότυπα. Οι τιμές που δηλώνονται δεν είναι κατάλληλες για χρήση σε υπολογισμούς εκτίμησης κινδύνου, καθώς οι τιμές μέτρησης σε μεμονωμένους χώρους εργασίας μπορεί να είναι υψηλότερες. Οι πραγματικές τιμές έκθεσης και οι κίνδυνοι σωματικής βλάβης, στους οποίους εκτίθεται ο μεμονωμένος χρήστης είναι μοναδικές και εξαρτώνται από τον τρόπο εργασίας του χρήστη, το αντικείμενο εργασίας και το σχεδιασμό της θέσης εργασίας καθώς και από το χρόνο έκθεσης και τη φυσική κατάσταση του χρήστη.

Εμείς, η **CHICAGO PNEUMATIC Tool Co.LLC**, δεν αναλαμβάνουμε καμία ευθύνη για τις συνέπειες που μπορεί να προκύψουν από τη χρήση των δηλωμένων τιμών, αντί για τιμές που αντιπροσωπεύουν την πραγματική έκθεση, για την αξιολόγηση κινδύνων σε χώρο εργασίας ο οποίος δεν βρίσκεται υπό τον έλεγχό μας.

Αυτό το εργαλείο μπορεί να προκαλέσει σύνδρομο χειρός-βραχίονα οφειλόμενο στους κραδασμούς αν δεν γίνει σωστή χρήση του. Μπορείτε να βρείτε έναν οδηγό ΕΕ για τη διαχείριση των δονήσεων χειριού-βραχίονα μεταβαίνοντας στη διεύθυνση <http://www.pneurop.eu/index.php> και επιλέγοντας "Tools" (Εργαλεία) και κατόπιν "Legislation" (Νομοθεσία).

Συνιστούμε την τήρηση προγράμματος ιατρικής παρακολούθησης, για να αναγνωρίζονται τυχόν αρχικά συμπτώματα που ενδέχεται να σχετίζονται με την έκθεση σε δονήσεις, έτσι ώστε να είναι δυνατή η τροποποίηση των διαδικασιών διαχείρισης και να αποτρέπεται η πρόκληση μελλοντικών σωματικών βλαβών.

(i) Αυτός ο εξοπλισμός προορίζεται για χρήση με σταθερές εφαρμογές:

Οι εκπομπές θορύβου παρέχονται στον υπεύθυνο για το στήσιμο του μηχανήματος, ως οδηγός. Τα στοιχεία εκπομπών θορύβου και δονήσεων για το μηχάνημα στην ολοκληρωμένη μορφή του θα πρέπει να παρέχονται στο εγχειρίδιο οδηγιών του μηχανήματος.

Περιφερειακές απαιτήσεις

⚠️ ΠΡΟΕΙΔΟΠΟΙΗΣΗ

Αυτό το προϊόν μπορεί να σας εκθέσει σε χημικές ουσίες, συμπεριλαμβανομένου του μόλυβδου, ο οποίος είναι γνωστός στην πολιτεία της Καλιφόρνιας ότι προκαλεί καρκίνο και γενετικές ανωμαλίες ή άλλη αναπαραγωγική βλάβη. Για περισσότερες πληροφορίες επισκεφθείτε την ιστοσελίδα

<https://www.p65warnings.ca.gov/>

Ασφάλεια

Μην απορρίπτετε - δώστε στο χρήστη

⚠️ ΠΡΟΕΙΔΟΠΟΙΗΣΗ Διαβάστε όλες τις προειδοποιήσεις ασφαλείας, τις οδηγίες, τα γραφικά και τις προδιαγραφές που συνοδεύουν αυτό το ηλεκτρικό εργαλείο.

Η μη τήρηση όλων των οδηγιών που αναφέρονται παρακάτω μπορεί να προκαλέσει ηλεκτροπληξία, πυρκαγιά ή/και σοβαρό τραυματισμό.

Φυλάξτε όλες τις προειδοποιήσεις και τις οδηγίες για να ανατρέξετε μελλοντικά σε αυτές.

⚠️ ΠΡΟΕΙΔΟΠΟΙΗΣΗ Όλοι οι τοπικά θεσμοθετημένοι κανόνες ασφαλείας σχετικά με την εγκατάσταση, τη λειτουργία και τη συντήρηση, πρέπει να τηρούνται συνεχώς.

Δήλωση Χρήσης

- Αποκλειστικά για επαγγελματική χρήση.
- Αυτό το προϊόν και τα εξαρτήματά του δεν πρέπει να τροποποιηθούν με κανένα τρόπο.
- Μην χρησιμοποιείτε αυτό το προϊόν εάν έχει υποστεί ζημιά.
- Εάν τα δεδομένα του προϊόντος ή οι προειδοποιητικές ενδείξεις κινδύνου στο προϊόν παύσουν να είναι ευανάγνωστες ή αποσυνδεδεμένες, αντικαταστήστε χωρίς καθυστέρηση.
- Το προϊόν πρέπει να εγκαθίσταται, να λειτουργεί και να συντηρείται μόνο από πρόσωπα με τα κατάλληλα προσόντα σε βιομηχανικό περιβάλλον συναρμολόγησης.

Προβλεπόμενη χρήση

Αυτό το προϊόν σχεδιάστηκε για την αφαίρεση ή το γυάλισμα υλικού με χρήση λειαντικών μέσων με επικάλυψη ή παρελκόμενα γυαλίσματος. Δεν επιτρέπεται άλλη χρήση.

Γενικές Οδηγίες για την Ασφάλεια

(i) Πρόσθετες πληροφορίες ασφαλείας σχετικά με φορητά αεροεργαλεία:

- CAGI 2528 - B186.1, ΚΩΔΙΚΟΣ ΑΣΦΑΛΕΙΑΣ ΓΙΑ ΑΕΡΟΕΡΓΑΛΕΙΑ, διαθέσιμο από τα Παγκόσμια Έγγραφα Μηχανικής στη διεύθυνση <https://global.ihs.com/> ή τηλεφωνήστε στο +1 800 447-2273. Στην περίπτωση που δεν μπορείτε να βρείτε τα πρότυπα ANSI, επικοινωνήστε με την ANSI μέσω της ηλεκτρονικής διεύθυνσης <http://www.ansi.org/>

Παροχή αέρα και κίνδυνοι σύνδεσης

- Ο πεπιεσμένος αέρας μπορεί να προκαλέσει σοβαρό τραυματισμό.
- Κλείνετε πάντοτε την παροχή αέρα, αποστραγγίστε τον εύκαμπτο σωλήνα από πεπιεσμένο αέρα και αποσυνδέστε το εργαλείο από την παροχή αέρα όταν δεν το χρησιμοποιείτε, πριν να αλλάξετε εξαρτήματα ή όταν πραγματοποιείτε επισκευές.

- Ποτέ μην κατευθύνετε αέρα επάνω σε εσάς ή σε οποιονδήποτε άλλο.
- Οι εκτινασσόμενοι σωλήνες μπορούν να προκαλέσουν σοβαρό τραυματισμό. Ελέγχετε πάντοτε για εύκαμπτους σωλήνες και συνδέσμους με ζημιά ή χαλάρωση.
- Μην χρησιμοποιείτε συνδέσμους γρήγορης αποσύνδεσης σε αυτό το εργαλείο. Για σωστή ρύθμιση, ανατρέξτε στις οδηγίες.
- Όταν χρησιμοποιείτε διαρθρωτούς συνδέσμους συστροφής, θα πρέπει να εγκαθιστάτε πείρους ασφαλείας.
- Μην υπερβαίνετε τη μέγιστη πίεση αέρα 6,3 bar / 90 psig, ή εκείνη που ορίζεται στην πινακίδα στοιχείων του εργαλείου.

Έλεγχος προστατευτικού δακτύλου (προαιρετική λειτουργία ανατρέξτε στον κατάλογο ανταλλακτικών)

- Χρησιμοποιήστε το συνιστώμενο προστατευτικό δακτύλων και βεβαιωθείτε ότι δεν έχει υποστεί ζημιά.
- Τοποθετήστε το προστατευτικό δακτύλων μεταξύ του χεριού σας και του μαξιλαριού λείανσης.
- Ελέγξτε ότι το προστατευτικό δακτύλων είναι σωστά ασφαλισμένο.

Κίνδυνοι εμπλοκής

- Διατηρείτε το εργαλείο μακριά από το κινούμενο πέλμα λείανσης. Επισημαίνουμε ότι ο εξοπλισμός λείανσης θα εξακολουθήσει να λειτουργεί μετά το κλείσιμο της βαλβίδας εκκίνησης· για τα τριβεία διπλής δράσης, αυτό μπορεί να διαρκέσει για πολλά δευτερόλεπτα.
- Είναι δυνατό να επέλθει πνιγμός, αφαίρεση τριχωτού της κεφαλής ή/ και σχισίματα αν χαλαρά ρούχα, γάντια, κοσμήματα, κολιέ και μαλλιά δε διατηρηθούν μακριά από το εργαλείο και τα εξαρτήματά του.

Κίνδυνοι από θραύσματα

- Η βλάβη του εξαρτήματος, του λειαντικού μέσου ή του εργαλείου μπορεί να προκαλέσει ριπές υψηλής ταχύτητας. Ακόμη και μικρά θραύσματα μπορούν να τραυματίσουν τα μάτια και να προκαλέσουν τύφλωση.
- Φοράτε πάντα γυαλιά και μάσκα προσώπου ανθεκτικά σε κρούσεις όταν συμμετέχετε στη λειτουργία ή είστε κοντά σε λειτουργίες επισκευών ή συντήρησης του εργαλείου, ή όταν αντικαθιστάτε παρελκόμενα στο εργαλείο. Συνιστώνται γάντια και προστατευτικός ρουχισμός.
- Βεβαιωθείτε ότι όλα τα υπόλοιπα άτομα στο χώρο φορούν ανθεκτικό στην κρούση προστατευτικό εξοπλισμό για τα μάτια και το πρόσωπο.
- Μετράτε καθημερινά την ταχύτητα του περιστροφικού λειαντή ή στιλβωτή με ταχύμετρο για να βεβαιωθείτε ότι δεν υπερβαίνει την ταχύτητα ΣΑΛ που έχει σημειωθεί στο επίθεμα υποστήριξης, το τύμπανο ή το λειαντικό.
- Βεβαιωθείτε ότι το πέλμα πέδησης/ λείανσης είναι συνδεδεμένο με ασφάλεια με το τριβείο, χρησιμοποιώντας τα παρεχόμενα εργαλεία.
- Φροντίστε το αντικείμενο εργασίας να στερεώνεται με ασφάλεια.

Κίνδυνοι που σχετίζονται με τα εξαρτήματα

- Να κόβετε πάντοτε την τροφοδοσία αέρα, να βγάξετε τον εύκαμπτο σωλήνα παροχής αέρα και να αποσυνδέετε επίσης την τροφοδοσία αέρα του εργαλείου όταν αλλάζετε αξεσουάρ.
- Χρησιμοποιείτε μόνο τα συνιστώμενα μεγέθη και τύπους λειαντικών.
- Μην χρησιμοποιείτε ποτέ επίθεμα υποστήριξης, τύμπανο ή λειαντικό με επιτρεπόμενη ταχύτητα μικρότερη από την ταχύτητα του πνευματικού λειαντή.
- Μην προσαρτάτε ποτέ λειαντικό ή κοπτικό τροχό στο λειαντήρα. Εάν υποστεί διάρρηξη ένας τροχός λείανσης, μπορεί να προκαλέσει σοβαρό τραυματισμό ή θάνατο εάν δεν διατίθεται ο κατάλληλος προφυλακτήρας.
- Χρησιμοποιείτε μόνο επικαλυμμένους δίσκους ή φύλλα λείανσης, κατάλληλα ασφαλισμένα στο επίθεμα υποστήριξης που παρέχεται με τον πνευματικό λειαντή. Βεβαιωθείτε ότι οι αυτοπροσαρτώμενοι δίσκοι λείανσης είναι προσαρτημένοι ομόκεντρα.

Κίνδυνοι χειρισμού

- Οι χειριστές και το προσωπικό συντήρησης πρέπει να είναι φυσικά ικανό να χειρίζεται τον όγκο, βάρος και δύναμη του εργαλείου.
- Να κρατάτε το εργαλείο σωστά: να είστε έτοιμοι να αντισταθμίσετε τις φυσιολογικές ή τις ξαφνικές μετακινήσεις - έχετε ελεύθερα και τα δύο σας χέρια.
- Εάν έρθετε σε επαφή με την επιφάνεια λείανσης, το εξάρτημα λείανσης ή την επιφάνεια εργασίας, μπορεί να κοπείτε ή να υποστείτε έγκαιμα. Αποφύγετε την επαφή και φορέστε κατάλληλα γάντια για την προστασία των χεριών σας.
- Επιθεωρήστε το επίθεμα υποστήριξης πριν από κάθε χρήση. Μην το χρησιμοποιείτε, αν έχει ραγίσει ή σπάσει ή αν έχει πέσει.
- Μην λειτουργείτε ποτέ το εργαλείο εκτός εάν έχει εφαρμοστεί το λειαντικό στο τεμάχιο εργασίας
- Υπάρχει κίνδυνος ηλεκτροστατικής εκφόρτισης εάν χρησιμοποιείται σε πλαστικά και άλλα μη αγωγικά υλικά.
- Όταν χρησιμοποιείτε ένα εργαλείο που έχει σχεδιαστεί για να έχει προστατευτική διάταξη, θα πρέπει να τοποθετείτε την προστατευτική διάταξη έτσι ώστε να σας παρέχει προστασία από ρινίσματα και άλλα υπολείμματα.

Κίνδυνοι από επαναλαμβανόμενη κίνηση

- Όταν χρησιμοποιείτε ένα εργαλείο για την εκτέλεση δραστηριοτήτων που σχετίζονται με την εργασία, ο χειριστής ενδέχεται να αισθανθεί δυσφορία στα χέρια, τα χέρια, τους ώμους, τον αυχένα ή άλλα μέρη του σώματος.
- Λάβετε άνετη στάση σώματος, πατώντας καλά στο έδαφος και αποφεύγοντας τις αδέξιες κινήσεις ή την απώλεια της ισορροπίας. Η εναλλαγή στάσεων κατά τις εργασίες με μεγάλη διάρκεια μπορεί να σας βοηθήσει να αποφύγετε την αίσθηση δυσκολίας και κόπωσης.
- Μην αγνοήσετε συμπτώματα, όπως την επίμονη ή επαναλαμβανόμενη δυσκολία, τρεμούλα, πιάσιμο, μυρμηκίαση, μούδιασμα, κάψιμο ή πιάσιμο. Σταματήστε τη χρήση του εργαλείου, ενημερώστε τον εργοδότη σας και ζητήστε ιατρική συμβουλή.

Κίνδυνοι από το θόρυβο και τις δονήσεις

- Οι υψηλές στάθμες θορύβων μπορεί να προκαλέσουν μόνιμη απώλεια ακοής και άλλα προβλήματα, όπως εμβοές. Χρησιμοποιείτε προστατευτικά για τα αυτιά όπως συνιστάται από τον εργοδότη σας ή τους κανονισμούς υγείας και ασφαλείας του χώρου εργασίας.
- Η έκθεση σε δονήσεις μπορεί να προκαλέσει βλάβες στο νευρικό σύστημα και στην παροχή αίματος στα χέρια και τα μπράτσα. Φοράτε ζεστά ρούχα και διατηρείτε τα χέρια σας ζεστά και στεγνά. Εάν παρουσιαστεί μούδιασμα, μυρμηκίαση ή άσπρισμα του χρώματος του δέρματος, σταματήστε τη χρήση του εργαλείου, ενημερώστε τον εργοδότη σας και συμβουλευτείτε έναν ιατρό.
- Κρατάτε το εργαλείο με ελαφριά αλλά ασφαλή λαβή, επειδή ο κίνδυνος από τη δόνηση είναι γενικά μεγαλύτερος όσο μεγαλύτερη είναι η δύναμη της λαβής. Αν είναι δυνατό, υποστηρίξτε το βάρος του εργαλείου με ένα ζυγό.
- Για να αποφύγετε μη αναγκαίες αυξήσεις των επιπέδων θορύβου και δονήσεων:
 - Θέστε σε λειτουργία και διατηρήστε το εργαλείο και επιλέξτε, διατηρήστε και αντικαταστήστε τα εξαρτήματα και τα αναλώσιμα, σύμφωνα με το παρόν εγχειρίδιο οδηγιών,
 - Χρησιμοποιήστε μονωτικά υλικά για να αποτρέψετε τις εμβοές των εργαλείων.

Κίνδυνοι στο χώρο εργασίας

- Ολισθήσεις (γλιστρήματα) / σκουντουφλήματα / πτώσεις, αποτελούν κύριες αιτίες σοβαρού τραυματισμού ή θανάτου. Προσέχετε τον περισσευόμενο εύκαμπτο σωλήνα που αφήνεται στην επιφάνεια βάδισης ή εργασίας.
- Μην εισπνέετε σκόνη ή αναθυμιάσεις και μην χειρίζεστε απόβλητα της διαδικασίας εργασίας, τα οποία είναι δυνατό να προκαλέσουν προβλήματα υγείας (π.χ. καρκίνο, συγγενείς ανωμαλίες, άσθμα ή/ και δερματίτιδες). Όταν χρησιμοποιείτε ένα εργαλείο για την εκτέλεση δραστηριοτήτων που σχετίζονται με την εργασία, ο χειριστής ενδέχεται να αισθανθεί δυσφορία στα χέρια, τα χέρια, τους ώμους, τον αυχένα ή άλλα μέρη του σώματος.
- Όταν χρησιμοποιείτε ένα εργαλείο για την εκτέλεση δραστηριοτήτων που σχετίζονται με την εργασία, ο χειριστής ενδέχεται να αισθανθεί δυσφορία στα χέρια, τα χέρια, τους ώμους, τον αυχένα ή άλλα μέρη του σώματος. Ορισμένα παραδείγματα αυτών των χημικών ουσιών είναι τα εξής:
 - Μόλυβδος από χρώματα με βάση το μόλυβδο
 - Τούβλα κρυσταλλικής σιλικόνης και τσιμέντου καθ'άλλα προϊόντα τοιχοποιίας
 - Αρσενικό και χρώμιο από χημικά επεξεργασμένο καουτσούκ

Ο κίνδυνος που διατρέχετε από αυτές τις εκθέσεις ποικίλει, ανάλογα με το πόσο συχνά κάνετε αυτό τον τύπο εργασίας. Για τη μείωση της έκθεσής σας σ' αυτές τις χημικές ουσίες: εργάζεστε σε καλά αεριζόμενο χώρο και εργάζεστε με εγκεκριμένο εξοπλισμό ασφαλείας, όπως με μάσκες για τη σκόνη που είναι ειδικά σχεδιασμένες να φιλτράρουν μικροσκοπικά σωματίδια.

- Συνεχίστε με προσοχή σε περιβάλλοντα με τα οποία δεν είστε εξοικειωμένος/η. Μπορεί να υπάρχουν κρυμμένοι κίνδυνοι, όπως ηλεκτρικά καλώδια ή αγωγοί άλλων κοινωφελών υπηρεσιών.
- Χρησιμοποιήστε πάντοτε συστήματα εξαγωγής ή καταστολής της σκόνης, τα οποία είναι κατάλληλα για το υλικό που θα επεξεργαστείτε. Χρησιμοποιήστε σύστημα εξώθησης σκόνης ή σύστημα καταστολής σκόνης που είναι κατάλληλο για το υλικό υπό επεξεργασία.
- Αυτό το εργαλείο δεν προτίθεται να χρησιμοποιηθεί σε δυνητικά εκρηκτικές ατμόσφαιρες και δεν είναι απομονωμένο από την επαφή με το ηλεκτρικό ρεύμα.

Ειδικές οδηγίες προϊόντος**Γενική Ασφάλεια Λειτουργίας****Πριν την έναρξη της εργασίας**

1. Έλεγχος ελεύθερης ταχύτητας
 - Η ταχύτητα, μετρημένη σε πίεση 6,3 bar / 90 PSIG, δεν πρέπει να υπερβαίνει την ονομαστική ταχύτητα η οποία αναγράφεται επάνω στο τριβείο.
 - Αφαιρέστε το μαξιλαράκι ενίσχυσης και την εξωτερική φλάντζα πριν πραγματοποιήσετε τον έλεγχο ελεύθερης ταχύτητας.
 - Εκτελείτε ελέγχους ελεύθερης ταχύτητας καθημερινά, ειδικά μετά από μακρά περίοδο αχρησίας.
 - Βεβαιωθείτε ότι η ένδειξη ταχύτητας στο εργαλείο είναι ευανάγνωστη.
 - Επιστρέψτε το εργαλείο για επισκευή, εάν αναπτύσσει υπερβολική ταχύτητα.
2. Έλεγχος σκανδάλης
 - Βεβαιωθείτε ότι η σκανδάλη λειτουργεί σωστά.
 - Αν η σκανδάλη δεν λειτουργεί σωστά, αντικαταστήστε την.
 - Μην αφαιρείτε ποτέ τη σκανδάλη και μην την ασφαλίσετε με ταινία.
3. Έλεγχος μέγιστης ταχύτητας
 - Βεβαιωθείτε ότι η αναφερόμενη μέγιστη ταχύτητα του μαξιλαριού και του φύλλου λείανσης είναι υψηλότερη ή ίση με την ταχύτητα που καθορίζεται επάνω στο τριβείο.
4. Έλεγχος μαξιλαριού ενίσχυσης
 - Βεβαιωθείτε ότι η βάση στήριξης δεν είναι ραγισμένη ούτε και έχει υποστεί ζημία.
 - Βεβαιωθείτε ότι το μαξιλαράκι ενίσχυσης έχει τις σωστές διαστάσεις οπών και είναι σωστά στερεωμένο στον άξονα για την αποφυγή μη ισορροπημένων δονήσεων.
 - Αφαιρέστε και αντικαταστήστε αμέσως το κατεστραμμένο δίσκο λείανσης.

5. Έλεγχος φλάντζας και μαξιλαριού ενίσχυσης
 - Αποσυνδέετε πάντοτε την παροχή αέρα όταν αλλάζετε το μαξιλαράκι ενίσχυσης ή το φύλλο λείανσης ή ρυθμίζετε το εργαλείο.
 - Βεβαιωθείτε ότι οι συνδυασμοί φλάντζας και μαξιλαριού αντιστοιχούν στους εγχώριους κανονισμούς.
 - Βεβαιωθείτε ότι η φλάντζα είναι καθαρή και δεν έχει υποστεί ζημία.
 - Συνδέστε τη φλάντζα με τη συνιστώμενη ροπή σύσφιξης.
 - Θέστε το τριβείο σε δοκιμαστική λειτουργία σε προστατευμένο χώρο μετά τη συναρμολόγηση του μαξιλαριού ενίσχυσης.
 - Βεβαιωθείτε ότι το τριβείο λειτουργεί σωστά.
6. Μέσα ατομικής προστασίας:
Βεβαιωθείτε ότι οι χειριστές χρησιμοποιούν:
 - Προστατευτικά ματιών, γυαλιά ή προσωπίδα.
 - Προστατευτικά αυτιών
 - Γάντια
 - Υποδήματα με άκρα από ατσάλι
 - Προστατευτικό ρουχισμό, όπως δερμάτινη ποδιά.
 - Κράνος (για βαρύτερες εφαρμογές)
 - Μη φοράτε χαλαρά ενδύματα ή κοσμήματα και μην αφήνετε τα μαλλιά σας λυτά (κίνδυνος εμπλοκής).
7. Χώρος εργασίας
Βεβαιωθείτε ότι δεν υπάρχουν άλλα άτομα στο χώρο εργασίας, για να μην τραυματιστεί κανείς.
 - Τα παρακείμενα πρόσωπα πρέπει να φορούν προστατευτικά αυτιών και ματιών.
 - Βεβαιωθείτε ότι τα συστήματα εξαερισμού και εξαγωγής σκόνης στις εγκαταστάσεις είναι επαρκή.
 - Βεβαιωθείτε ότι υπάρχει διαθέσιμος ένας πάγκος ή ένας χώρος για την ασφαλή τοποθέτηση του εργαλείου.
 - Να εργάζεστε εντός αποκλεισμένου χώρου, με τοίχους προστασίας, αν είναι δυνατό. Υπάρχει κίνδυνος εκσφενδονισμού σπασμένων μαξιλαριών ενίσχυσης.

Κατά την εργασία

Σταματήστε τη χρήση του εργαλείου αν, κατά τη χρήση, σημειωθούν αφύσικα δυνατοί θόρυβοι και κραδασμοί.

Το εργαλείο αυτό και τα εξαρτήματά του δεν πρέπει να τροποποιηθούν κατά κανένα τρόπο.

Λειτουργία

Εγκατάσταση / Λειτουργία

Ανατρέξτε στην εικόνα 3.

1. Να βεβαιώνετε πάντοτε ότι η συσκευή είναι αποσυνδεδεμένη από την πηγή παροχής ενέργειας, για να αποφύγετε την ακούσια λειτουργία.

2. Στερεώστε καλά τα εξαρτήματα πάνω στο μηχάνημα. Χρησιμοποιήστε το κλειδί ατράκτου (1) για να βοηθήσετε στην αλλαγή εξαρτημάτων.
3. Συνδέστε τη συσκευή σε μια καθαρή και ξηρή παροχή αέρα.
4. Ρυθμίστε τον ρυθμιστή πίεσης αέρα ώστε να έχει 6,3 bar / 90 PSIG στο εργαλείο.
5. Χρησιμοποιήστε μια γραμμή αέρα λιπαντικού με λάδι SAE #10, ρυθμισμένο σε δύο σταγόνες ανά λεπτό.
6. Για να ξεκινήσετε το μηχάνημα, ξεκλειδώστε και πατήστε το μοχλό ασφαλείας (2). Αφήστε το μοχλό ασφαλείας για διακοπή.

Περιστροφή της λαβής

Ανατρέξτε στην εικόνα 4.

1. Να βεβαιώνετε πάντοτε ότι η συσκευή είναι αποσυνδεδεμένη από την πηγή παροχής ενέργειας, για να αποφύγετε την ακούσια λειτουργία.
2. Αφαιρέστε τη λαβή (1).
3. Αφαιρέστε τη βίδα (2).
4. Περιστρέψτε το βραχίονα (3) στην επιθυμητή θέση.
5. Συσφίξτε τη βίδα (2).
6. Τοποθετήστε τη λαβή (1).

Μετά την ολοκλήρωση της εργασίας

⚠ ΠΡΟΕΙΔΟΠΟΙΗΣΗ Ο χρόνος διακοπής λειτουργίας ενδέχεται να είναι πάνω από 5 δευτερόλεπτα.

- ▶ Βεβαιωθείτε ότι το εργαλείο είναι απενεργοποιημένο και ότι έχει σταματήσει τελείως πριν να το αφήσετε κάτω.
- ▶ Ο χρόνος διακοπής εξαρτάται από το λειαντικό που χρησιμοποιείται.

Κατεβάστε το εργαλείο προσεκτικά για να βεβαιωθείτε ότι το εργαλείο δεν θα ξεκινήσει μόνο του/από μόνο του.

Διατήρηση και Συντήρηση

Οδηγίες συντήρησης

- Για τον ασφαλή χειρισμό και την απόρριψη όλων των εξαρτημάτων, ακολουθήστε τους τοπικούς περιβαλλοντικούς κανονισμούς της χώρας.
- Εργασίες συντήρησης και επισκευών πρέπει να διεξάγονται αποκλειστικά από καταρτισμένο προσωπικό με τη χρήση μόνο γνήσιων ανταλλακτικών. Επικοινωνήστε με τον κατασκευαστή ή τον πλησιέστερο εξουσιοδοτημένο αντιπρόσωπό της περιοχής σας για οδηγίες σχετικά με την τεχνική συντήρηση ή αν χρειάζεστε ανταλλακτικά.
- Να βεβαιώνετε πάντοτε ότι η συσκευή είναι αποσυνδεδεμένη από την πηγή παροχής ενέργειας, για να αποφύγετε την ακούσια λειτουργία.
- Αποσυναρμολογείτε και επιθεωρείτε το εργαλείο ανά 3 μήνες (500 ώρες), αν το εργαλείο χρησιμοποιείται καθημερινά. Αντικαταστήστε κατεστραμμένα ή φθαρμένα εξαρτήματα.

- Για να διατηρείτε το χρόνο εκτός λειτουργίας στο ελάχιστο, σας συνιστούμε το παρακάτω κιτ ρύθμισης:
Κιτ ρύθμισης

Απόρριψη

- Για την απόρριψη αυτού του εξοπλισμού πρέπει να τηρείται η νομοθεσία της εκάστοτε χώρας.
- Όλες οι συσκευές που έχουν υποστεί ζημιά, μεγάλης έκτασης φθορά ή που δεν λειτουργούν σωστά **ΠΡΕΠΕΙ ΝΑ ΤΙΘΕΝΤΑΙ ΕΚΤΟΣ ΛΕΙΤΟΥΡΓΙΑΣ**.

Χρήσιμες πληροφορίες

Δελτίο δεδομένων ασφαλείας

Τα δελτία δεδομένων ασφαλείας περιγράφουν τα χημικά προϊόντα που πωλούνται από την Chicago Pneumatic.

Ανατρέξτε στον Chicago Pneumatic ιστότοπο για περισσότερες πληροφορίες qr.cp.com/sds.

Χώρα Προέλευσης

Hungary

Διαδικτυακός τόπος

Πληροφορίες σχετικά με τα Προϊόντα, τα Εξαρτήματά, τα Ανταλλακτικά και τα Δημοσιευμένα θέματα μας βρίσκονται στον ιστότοπο Chicago Pneumatic .

Παρακαλούμε επισκεφθείτε: www.cp.com.

Πνευματικά δικαιώματα

© Copyright 2023, CHICAGO PNEUMATIC Tool Co.LLC, 1815 Clubhouse Road, Rock Hill, SC 29730 - USA

Με την επιφύλαξη παντός δικαιώματος. Απαγορεύεται κάθε μη εξουσιοδοτημένη χρήση ή αντιγραφή των περιεχομένων ή μέρους τους. Αυτό ισχύει ιδίως για τα εμπορικά σήματα, τις επωνυμίες μοντέλων, τους αριθμούς ανταλλακτικών και τα σχεδιαγράμματα. Χρησιμοποιείτε μόνο εγκεκριμένα ανταλλακτικά. Οποιαδήποτε ζημιά ή δυσλειτουργία λόγω μη εγκεκριμένων ανταλλακτικών δεν καλύπτεται από την Εγγύηση ή την Ευθύνη Προϊόντος.

Tekniska data

Verktogsdata

Modeller	Tomgångsvarvtal (varv/min)	Vikt (kg)	Vikt (lb)
CP3650-120AB	12000	1.8	4
CP3650-120AA	12000	1.8	4
CP3650-085AB	8500	1.8	4
CP3650-085AA	8500	1.8	4
CP3650-075AB	7500	1.8	4

Maximalt arbetstryck

6.3 bar / 90 psig

Deklarationer

EU-försäkran om överensstämmelse

Vi, CHICAGO PNEUMATIC Tool Co.LLC, 1815 Clubhouse Road, Rock Hill, SC 29730 - USA, försäkrar under eget ansvar att produkten (med namn, typ och serienummer, se framsida) uppfyller följande direktiv:

2006/42/EC (17/05/2006)

Tillämpade harmoniserade standarder:

EN ISO 11148-8:2011

Myndigheter kan begära relevant teknisk information från:

Pascal Roussy, R&D Manager, Ets Georges Renault, 38 rue Bobby Sands, BP10273 44818 Saint Herblain, France

Saint-Herblain, 2023/06/05

Pascal ROUSSY



Underskrift

Deklaration om buller & vibrationer

Ljudnivå – ISO 15744

Modell	L _{pA} dB(A)	L _{WA} dB(A)
CP3650-120AB	93	104
CP3650-120AA	93	104
CP3650-085AB	93	104
CP3650-085AA	93	104
CP3650-075AB	90	101

L_{pA} dB(A): ljudtrycksnivå

L_{WA} dB(A): ljudeffektsnivå

K / K_{pA} = K_{WA} = 3 dB: osäkerhet

Vibrationsnivå – ISO 28927-2

Modell	Vibration (m/s ²)
CP3650-120AB	2.6
CP3650-120AA	2.6
CP3650-085AB	2.3
CP3650-085AA	2.3
CP3650-075AB	2

Dessa deklarerade värden har erhållits genom laboratorietester i enlighet med angivna direktiv eller standarder och är lämpliga att jämföra med deklarerade värden för andra maskiner som testats i enlighet med samma direktiv eller standarder. Värdena kan inte användas för riskbedömning och värden som uppmäts på individuella arbetsplatser kan vara högre. De faktiska exponeringsvärdena och de skaderisker som en enskild användare utsätts för är unika och beror på

personens arbetssätt, i vilket material maskinen används, användarens exponeringstid och fysiska kondition samt maskinens skick.

Vi på **CHICAGO PNEUMATIC Tool Co.LLC** kan inte hållas ansvarsskyldiga för konsekvenserna av att använda de angivna värdena istället för värden som återspeglar den faktiska exponeringen vid en individuell riskbedömning på en arbetsplats över vilken vi inte har någon kontroll.

Detta verktyg kan orsaka hand-armvibrationssyndrom om det inte används korrekt. En EU-guide för hantering av hand- och armvibrationer återfinns på webbplatsen <http://www.pneurop.eu/index.php> under Verktyg och sedan Lagsiftning.

För att förebygga eventuella framtida åkommor rekommenderar vi att hälsokontroller genomförs för att upptäcka tidiga symptom som kan bero på vibrationsrelaterade arbetssuppgifter.

- i** Om denna utrustning är avsedd för fixerade tillämpningar:
Ljudemissionerna anges som vägledning för maskinbyggarerna. Ljud- och vibrationsemissionsdata för hela maskinen skall anges i instruktionshandboken till maskinen.

Regionala krav

⚠ VARNING

Denna produkt kan utsätta dig för kemikalier inklusive bly, som är känd för staten Kalifornien för att orsaka cancer och fosterskador och annan reproduktiv skada. För mer information gå in på

<https://www.p65warnings.ca.gov/>

Säkerhet

KASSERA EJ – GE TILL ANVÄNDAREN

⚠ VARNING Läs alla säkerhetsföreskrifter, instruktioner, illustrationer och specifikationer som hör till elverktyget.

Underlåtenhet att följa alla angivna instruktioner kan leda till elektrisk stöt, eldsvåda och/eller svåra personskador.

Spara alla varningar och instruktioner för framtida bruk.

⚠ VARNING Alla lokala säkerhetsföreskrifter avseende installation, drift och underhåll skall alltid åtföljas.

Användningsintyg

- Endast för yrkesmässigt bruk.
- Denna produkt och medföljande tillbehör får inte modifieras på något sätt.
- Använd inte denna produkt om den har skadats.
- Om produktuppgifterna eller varningsskyltarna på produkten inte är läsliga eller lossnar ska de bytas omedelbart.
- Produkten får endast installeras, användas och servas av behöriga personer i en miljö för industriellt bruk.

Avsedd användning

Denna produkt är utformad för att ta bort eller polera material med hjälp av belagda slipmedel eller polerdelar. Ingen annan användning är tillåten.

Allmänna säkerhetsföreskrifter

i Ytterligare säkerhetsinformation om flyttbara tryckluftverktyg:

- CAGI 2525 – B186.1, SÄKERHETSREGLER FÖR PORTABLA TRYCKLUFTSDRIVNA VERKTYG, tillgängliga från Global Engineering Documents på adress <https://global.ihs.com/>, eller ring +1 800 447-2273. Om du har problem att komma åt ANSI-standarder är du välkommen att kontakta ANSI på adressen <https://www.ansi.org>

Risker med tryckluftmatning och tryckluftanslutning

- Tryckluft kan orsaka allvarliga personskador.
- Stryp alltid lufttillförseln, nollställ trycket i slangen och koppla bort verktyget från tryckluftskällan när det inte används, före utbyte av tillbehör och vid reparation.
- Rikta aldrig luftstrålen mot dig själv eller andra.
- Snärtande slangar kan orsaka svåra skador. Kontrollera alltid om slangar eller kopplingar är skadade eller lösa.
- Använd inte snabbkopplingar vid verktyget. Se anvisningarna för korrekt montering.
- Om universalvridkopplingar används måste låstappar finnas.
- Låt inte lufttrycket överstiga 6,3 bar/90 psi, eller det tryck som anges på verktygets märkplåt.

Kontroll av fingerskydd (tillval – se reservdelslistan)

- Använd alltid rekommenderat fingerskydd och kontrollera att det inte är skadat.
- Sätt fingerskyddet mellan din hand och slipdynam.
- Kontrollera att fingerskyddet är ordentligt förankrat.

Risker med att fastna

- Undvik kontakt med den rörliga slipplattan. Observera att slipskivan fortsätter rotera efter att startventilen stängts; för dubbelverkande slipmaskiner kan det pågå flera sekunder.
- Kvävning, skalpering och/eller skärsår kan uppstå om löshängande kläder, handskar, smycken, halsband och hår inte hålls borta från verktyg och tillbehör.

Kringflygande föremål

- Om tillbehöret, slipskivan eller arbetsstycket går sönder kan de flyga omkring som höghastighetsprojektiler. Även små föremål som kastas iväg kan skada ögonen och orsaka blindhet.
- Använd alltid slagtåliga ögon- och ansiktsskydd om du arbetar med eller uppehåller dig i närheten av verktyg som används, repareras eller underhålls eller verktygstillbehör som byts ut. Handskar och skyddskläder rekommenderas.
- Se till att alla andra som uppehåller sig i närheten använder slagtåliga ögon- och ansiktsskydd.

- Mät dagligen hastigheten på en roterande ytslipnings- eller polermaskin med en takometer för att försäkra att den inte överstiger varvantalet per minut som markerats på underlagsdynan, trumman eller slipmedlet.
- Se till att underlägget/slipskivan är säkert fastsatt på slipmaskinen med hjälp av medföljande verktyg.
- Säkerställ att arbetsstycket är säkert fastspänt.

Risker med tillbehör

- Stryp alltid lufttillförseln, eliminera trycket i slangarna och koppla bort verktyget från tryckluftskällan vid utbyte av tillbehör.
- Använd endast storlekar och typer av slipskivor som rekommenderas.
- Använd aldrig en underlagsdyna, trumma eller ett slipmedel med en tillåten hastighet som är mindre än slipmaskinens.
- Montera aldrig en slip- eller kapskiva på en slipmaskin. En slipskiva som brister kan orsaka dödsfall eller allvarliga personskador om skyddsutrustningen är felaktig.
- Använd endast ytslipskivor eller papper med slipmedelsbeläggning, som satts fast ordentligt på stöddyna som kommer med tryckluftsytsliparen. Försäkra att självjusterande ytslipningsskivor har monterats koncentriskt.

Risker vid användning

- Operatörer och underhållspersonal måste fysiskt kunna hantera verktygets massa, vikt och styrka.
- Håll verktyget rätt: var redo att stå emot normala eller plötsliga rörelser - ha båda händerna redo.
- Du kan få skär- eller brännskador om du kommer i kontakt med slipdynan, slipskivan eller arbetsytan. Undvik kontakt och bär lämpliga skyddshandskar för att skydda dina händer.
- Kontrollera stöddynan före varje användning. Använd den inte om den är sprucken eller trasig eller om den har tappats.
- Driv aldrig verktyget om slipmedlet ej har applicerats på arbetsstycket.
- Det finns risk för elektrostatisk urladdning om maskinen används på plastiska eller andra elektriskt icke ledande material.
- När du använder maskiner som är avsedda att användas med skydd måste skyddet sitta på plats för att hindra spånor och andra sliprester från att stänka.

Faror vid repetitiva rörelser

- Vid användning av motordrivna verktyg för arbetsrelaterade aktiviteter kan operatören uppleva obehag i händer, armar, axlar, nacke eller andra kroppsdelar.
- Stå bekvämt med fötterna stadigt på underlaget och undvik ställningar som är obekväma eller där du kan tappa balansen. Att ändra ställning under längre arbetspass kan hjälpa till att undvika obehag och utmattning.
- Ignorera inte symptom som ihållande eller återkommande obehag, smärta, dunkningar, värk, stickningar, domningar, brännande känsla eller stelhet. Lägg ifrån dig verktyget, prata med din arbetsgivare och besök läkare.

Buller- och vibrationsrisker

- Höga ljudnivåer kan orsaka permanent hörselörlust och andra problem, t.ex. tinnitus. Använd hörselskydd som rekommenderas av din arbetsgivare eller via arbetsskydds- och hälsoreglerna.
- Exponering för vibrationer kan skada nerverna och stoppa blodflödet till händerna och armarna. Bär varma kläder och håll händerna varma och torra. Om någon del av kroppen domnar, somnar, smärtar eller vitnar ska du sluta använda verktyget och tala med din arbetsgivare och söka läkarhjälp.
- Håll verktyget i ett lätt men säkert grepp, eftersom risken för vibrationer är större om greppkraften är större. Stötta om möjligt upp verktygets vikt med ett balanseringsdon.
- För att förebygga onödiga ökning av buller- och vibrationsnivåer:
 - Hantera och underhåll verktyget och välj, underhåll och byt tillbehör eller slitagedelar i enlighet med instruktionshandboken;
 - Använd dämpmaterial för att förhindra ”ringande eko” från arbetsstyckena.

Arbetsplatsrisker

- Om en person halkar/snubblar/faller kan allvarliga personskador eller dödsfall inträffa. Var medveten om över-skjutande slang som ligger kvar på gång- och arbetsytor.
- Undvik inandning av damm eller rök eller hantering av skräp från arbetsprocessen som kan orsaka ohälsa (t ex cancer, fosterskador, astma och/eller hudekssem). Använd stofutsug och andningsskydd när du arbetar med material som skapar luftburna partiklar.
- En del damm som skapas av motorblästring, -sågning, -polering, -borming och andra konstruktionsaktiviteter innehåller kemikalier som i delstaten Kalifornien anses orsaka cancer och fosterskador eller andra fortplantningsskador. Några exempel på dessa kemikalier är:
 - Bly från blybaserade färger
 - Kristallint silikattegel och cement och andra murverksprodukter
 - Arsenik och krom från kemiskt behandlat gummi

Den risk som du utsätts för varierar beroende på hur ofta du utför den här typen av arbeten. För att reducera din exponering för dessa kemikalier: arbeta i ett väl ventilerat utrymme och använd godkänd säkerhetsutrustning, såsom andningsmasker som är speciellt utformade för att filtrera bort mikroskopiska partiklar.

- Arbeta försiktigt i områden som du inte känner till. Det kan finnas dolda risker såsom starkströmsledning eller andra ledningar.
- Explosionsrisk kan uppstå i omgivningar där det förekommer damm och ångor som bildats vid slipning. Använd dammsugnings- eller undertryckningssystem som passar för det material som bearbetas.
- Detta verktyg är inte avsett för användning i potentiellt explosiv atmosfär och är inte isolerat från kontakt med spänningsförande material.

Produktspecifika anvisningar

Allmän säkerhet vid användning

Innan arbetet påbörjas

- Kontroll av tomgångsvarvtal
 - Det uppmätta varvtalet vid ett tryck på 6,3 bar/90 PSIG får inte överskrida märkvarvtalet som anges på slipmaskinen.
 - Lossa underläggsskivan och yttre flänsen innan kontroll av tomgångsvarvtalet genomförs.
 - Kontrollera tomgångsvarvtalet dagligen, i synnerhet efter en längre tids stillestånd.
 - Kontrollera att verktygets varvtalsmärkning är läsbar.
 - Skicka verktyget på reparation när det övervarvar.
- Reglagekontroll
 - Kontrollera att reglaget fungerar korrekt.
 - Byt ut reglaget om det inte fungerar korrekt.
 - Ta aldrig bort reglaget och tejpa aldrig det.
- Kontroll av högsta varvtal
 - Kontrollera att underläggsskivans högsta varvtal är högre än eller lika stort som det varvtal som är markerat på slipmaskinen.
- Kontroll av underläggsskiva
 - Kontrollera att underläggsskivan inte är sprucken eller skadad.
 - Kontrollera att underläggsskivan har rätt håldimensioner och är ordentligt monterad på spindeln, så att du undviker obalanserade vibrationer.
 - Ta bort och byt skadade underläggsskivor omedelbart.
- Kontroll av fläns och underläggsskiva
 - Koppla alltid från lufttillförseln vid byte av underläggsskiva eller slipskiva eller justering av verktyget.
 - Kontrollera att fläns- och skivkombinationer uppfyller nationella bestämmelser.
 - Kontrollera att flänsen är ren och inte är skadad.
 - Montera flänsen med rekommenderat åtdragningsmoment.
 - Testkör slipmaskinen på ett avskärmat område när du monterat underläggsskivan.
 - Kontrollera att slipmaskinen arbetar korrekt.

- Personlig skyddsutrustning:

Se till att operatörerna använder:

 - Ögonskydd, skyddsglasögon eller visir.
 - Hörselskydd
 - Handskar
 - Skyddsskor med stålhätta
 - Skyddsklädsel som t.ex. läderförkläde.
 - Hjälm (vid tyngre arbeten)
 - Undvik att använda löst sittande kläder, hängande hår eller smycken (risk att fastna).
- Arbetsområde

Kontrollera att inga andra personer befinner sig i området där du arbetar, så att ingen kan skadas.

 - Människor i närheten måste också använda hörsel- och ögonskydd.
 - Kontrollera att ventilationen och dammsuget från lokalen är tillräckliga.
 - Kontrollera att det finns ett tillgängligt ställ eller plats dit man kan lägga verktyg på ett säkert sätt.
 - Arbeta inom ett avskilt område, om möjligt med skyddsväggar. Det finns risk för att trasiga underläggsskivor ramlar av.

Under arbetets gång

Avbryt arbetet med slipmaskinen om det hörs ett onormalt högt buller och vibrationer vid användning.

Detta verktyg och medföljande tillbehör får inte modifieras på något sätt.

Drift

Installation/Drift

Se *schema 3*.

- Se alltid till att maskinen är urkopplad från energikällan för att undvika misstag.
- Montera tillbehören ordentligt på maskin. Använd spindelåset (1) för att underlätta byte av tillbehör.
- Anslut enheten till ren och torr tilluft.
- Justera lufttrycksregulatorn så att du får 6,3 bar/90 PSIG vid verktyget.
- Använd ett smörjmedel för luftledningarna med SAE 10-olja, justerat till två droppar per minut.
- Starta maskinen genom att låsa upp den och trycka på säkerhetsreglaget (2). Släpp säkerhetsreglaget för att stoppa.

Rotera handtaget

Se *schema 4*.

- Kontrollera alltid att maskinen är urkopplad från energikällan för att undvika oavsiktlig start.
- Ta bort handtaget (1).
- Ta bort skruven (2).
- Rotera fästet (3) till önskad position.

5. Dra åt skruven (2).
6. Montera handtaget (1).

Efter avslutat arbete

⚠ VARNING Det kan ta över 5 sekunder för verktyget att stanna.

- ▶ Stäng av verktyget och se till att det står helt stilla innan du lägger det ifrån dig.
- ▶ Stopptiden beror på vilken slipskiva som används.

Lägg ner verktyget försiktigt så att det inte startar av sig självt/oavsiktligt.

Service och underhåll

Underhållsanvisningar

- Följ gällande miljöföreskrifter i användningslandet för säker hantering och bortskaffande av alla komponenter.
- Underhåll och reparationer måste utföras av behörig personal och originalreservdelar måste användas. Kontakta tillverkaren eller närmaste auktoriserade återförsäljare för råd om teknisk service eller om du behöver reservdelar.
- Se alltid till att maskinen är urkopplad från energikällan för att undvika misstag.
- Demontera och inspektera verktyget var 3:e månad (500 timmar) om verktyget används varje dag. Byt ut skadade eller slitna delar.
- Följande servicesats rekommenderas för att hålla stilleståndstiden så kort som möjligt: **Justeringsats**

Bortskaffning

- Följ alltid gällande lagar i respektive land vid bortskaffande av denna utrustning.
- Alla skadade, dåligt slitna eller felaktigt fungerande enheter **MÅSTE TAS UR DRIFT**.

Användbar information

Säkerhetsdatablad

Säkerhetsdatabladet beskriver de kemiska produkter som säljs av Chicago Pneumatic.

Besök webbplatsen för Chicago Pneumatic om du vill veta mer qr.cp.com/sds.

Ursprungsland

Hungary

Webbplats

Information om våra produkter, tillbehör, reservdelar och publicerade ärenden hittar du på webbplatsen för Chicago Pneumatic

Besök: www.cp.com.

Copyright

© Copyright 2023, CHICAGO PNEUMATIC Tool Co.LLC, 1815 Clubhouse Road, Rock Hill, SC 29730 - USA

Med ensamrätt. All obehörig användning eller kopiering av innehållet eller del därav är förbjuden. Detta gäller särskilt varumärken, modellbeteckningar, artikelnummer och ritningar. Använd bara godkända delar. Skador eller fel som orsakas genom användning av icke godkända delar täcks inte av garanti eller företagets produktansvar.

Технические данные

Характеристики инструмента

Модели	Холостой ход (об/мин)	Масса (кг)	Масса (фунт)
CP3650-120AB	12000	1.8	4
CP3650-120AA	12000	1.8	4
CP3650-085AB	8500	1.8	4
CP3650-085AA	8500	1.8	4
CP3650-075AB	7500	1.8	4

Максимальное рабочее давление

6.3 bar / 90 psig

Декларации

Декларация о соответствии ЕС

Компания CHICAGO PNEUMATIC Tool Co.LLC, 1815 Clubhouse Road, Rock Hill, SC 29730 - USA, с полной ответственностью заявляет, что данное изделие (наименование, тип и серийный номер которого указаны на титульном листе) соответствует положениям следующих директив:

2006/42/EC (17/05/2006)

Были применены следующие согласованные стандарты: **EN ISO 11148-8:2011**

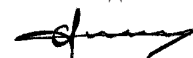
Официальные органы могут запросить соответствующую техническую информацию у следующих лиц:

Pascal Roussy, R&D Manager, Ets Georges Renault, 38 rue Bobby Sands, BP10273 44818 Saint Herblain, France

Saint-Herblain, 2023/06/05

Pascal ROUSSY

Подпись



Декларация по шумам и вибрации

Уровень вибрации - ISO 15744

Модель	L _{pA} дБ(A)	L _{WA} дБ(A)
CP3650-120AB	93	104
CP3650-120AA	93	104
CP3650-085AB	93	104

Модель	L _{pA} дБ(А)	L _{WA} дБ(А)
CP3650-085AA	93	104
CP3650-075AB	90	101

L_{pA} дБ(А): уровень звукового давления

L_{WA} дБ(А): уровень звуковой мощности

K / K_{pA} = K_{WA} = 3 дБ: погрешность

Уровень вибрации - ISO 28927-2

Модель	Вибрации (м/с ²)
CP3650-120AB	2.6
CP3650-120AA	2.6
CP3650-085AB	2.3
CP3650-085AA	2.3
CP3650-075AB	2

Заявленные значения были получены при помощи лабораторных тестов, проведенных в соответствии с установленными стандартами, могут быть использованы для сравнения с заявленными значениями, полученными при испытании других инструментов в соответствии с теми же стандартами. Эти заявленные значения неприменимы для оценки риска; результаты фактических измерений при работе на индивидуальном рабочем месте могут быть выше. Фактические значения воздействия и риск ущерба, которым подвергается пользователь, индивидуальны и зависят от метода работы, изделия и устройства рабочего места, а также от времени воздействия и физического состояния пользователя.

Компания CHICAGO PNEUMATIC Tool Co.LLC не может нести ответственность за последствия использования заявленных значений вместо значений, отражающих фактическое воздействие, при оценке индивидуальных рисков в ситуации на рабочем месте, которую компания не в состоянии контролировать.

При ненадлежащей манере использования данный инструмент может вызвать вибрационный синдром рук. Руководство ЕС о том, как справляться с воздействием вибрации на руки, можно найти на веб-сайте <http://www.pneurop.eu/index.php> (выберите меню "Tools", а затем "Legislation").

Мы рекомендуем программу контроля за здоровьем, которая обеспечивает раннее обнаружение симптомов вредного воздействия вибрации и позволяет своевременно пересмотреть процедуры обслуживания, чтобы предотвратить дальнейшее ухудшение.

- i** Если данное оборудование предназначено для закрепленных систем:
Значение излучения шума приведено в качестве руководящей информации для изготовителя устройства. Данные по излучению шума и вибрации для всего устройства должны быть приведены в руководстве по эксплуатации устройства.

Региональные требования

⚠ ПРЕДУПРЕЖДЕНИЕ

В процессе использования данного продукта существует опасность подвергнуться воздействию химических веществ, в частности, свинца, который, согласно данным, имеющимся в штате Калифорния, вызывает раковые заболевания, врожденные дефекты развития или другие патологии репродуктивной системы. Более подробная информация представлена на веб-сайте

<https://www.p65warnings.ca.gov/>

Безопасность

НЕ ВЫБРАСЫВАТЬ — ПЕРЕДАТЬ ПОЛЬЗОВАТЕЛЮ

⚠ ПРЕДУПРЕЖДЕНИЕ Ознакомьтесь со всеми предупреждениями по безопасной работе, инструкциями, иллюстрациями и спецификациями, которые поставляются вместе с данным электроинструментом.

Несоблюдение приведенных ниже инструкций может привести к поражению электрическим током, пожару и/или серьезной травме.

Сохраните все предупреждения и инструкции для справки на будущее.

⚠ ПРЕДУПРЕЖДЕНИЕ Необходимо неукоснительно соблюдать все местные законодательно закрепленные правила техники безопасности, касающиеся установки, эксплуатации и техобслуживания.

Предписание по использованию

- Только для профессионального использования.
- Запрещается модифицировать данное изделие и его принадлежности каким-либо образом.
- В случае повреждения данного изделия его использование запрещено.
- Если этикетка с информацией об изделии или с предупредительными знаками на корпусе изделия стала неразборчивой или отклеилась, без промедления замените ее.
- Данное устройство должно устанавливаться, эксплуатироваться и обслуживаться только квалифицированным персоналом в промышленных условиях.

Назначение

Данное изделие предназначено для удаления или полировки материала с помощью абразивных или полировальных насадок с покрытием. Любое другое использование запрещено.

Евразийское соответствие



Общие правила техники безопасности

ⓘ Дополнительная информация по технике безопасности при работе с переносными пневматическими инструментами:

- SAGI 2528 – B186.1, ПРАВИЛА ТЕХНИКИ БЕЗОПАСНОСТИ ПРИ РАБОТЕ С ПЕРЕНОСНЫМИ ПНЕВМАТИЧЕСКИМИ ИНСТРУМЕНТАМИ можно получить на веб-сайте Global Engineering Documents по адресу <https://global.ihs.com/> или по телефону +1 800 447-2273. При возникновении затруднений с получением стандартов ANSI свяжитесь с организацией ANSI через веб-сайт <http://www.ansi.org/>

Опасности, связанные с подсоединением и подачей сжатого воздуха

- Воздух под давлением может вызвать серьезную травму.
- Когда инструмент не используется, а также перед заменой его принадлежностей или при проведении ремонтных работ, обязательно отключите подачу сжатого воздуха, сбросьте давление воздуха в шланге и отсоедините инструмент от линии подачи сжатого воздуха.
- Запрещается направлять поток воздуха на себя или на кого-либо еще.
- Биение шлангов может привести к серьезной травме. Обязательно проверяйте шланги и фитинги на предмет повреждения или слабого закрепления.
- Не используйте быстроразъемные соединения на инструменте. См. указания по надлежащей подготовке к работе.
- Какие бы универсальные соединения не использовались, обязательно устанавливайте фиксирующие штифты.
- Не превышайте максимально допустимого значения давления воздуха 6,3 бара (90 фунтов на кв. дюйм, ман.) или значения, указанного на паспортной табличке инструмента.

Проверка защиты для пальцев (дополнительная функция, см. перечни запасных частей)

- Всегда используйте рекомендованную защиту для пальцев и проверяйте их на предмет наличия повреждений.
- Поместите защиту для пальцев между рукой и шлифовальной насадкой
- Убедитесь, что защиты для пальцев закреплены надлежащим образом.

Опасность затягивания в устройство

- Избегайте контакта с движущейся шлифовальной насадкой. Помните, что абразивная поверхность продолжает двигаться после закрытия спускового клапана: в шлифовальных машинах двойного действия это может продолжаться несколько секунд.
- При несоблюдении безопасной дистанции между волосами, свободной одеждой, перчатками, ювелирными украшениями, шарфами или галстуками

и инструментом или его принадлежностями возможны удушение, вырывание волос и сдирание кожи с головы или получение рваных ран.

Опасность вылета осколков

- При разрушении принадлежности, абразивной насадки или обрабатываемой детали возможен вылет осколков на высокой скорости. Даже мелкие вылетевшие осколки могут повредить глаза и вызвать слепоту.
- Всегда надевайте ударопрочные средства защиты глаз и лица при непосредственном участии или нахождении рядом в процессе работы, ремонта или техобслуживания инструмента либо замены его принадлежностей.
- Убедитесь, что на всех остальных людях, находящихся в рабочей зоне, надеты ударопрочные средства защиты глаз и лица.
- Ежедневно с помощью тахометра измеряйте скорость вращения роторной шлифовальной или полировальной машины, чтобы убедиться, что она не превышает значения, указанного на опорной тарелке, барабане или абразивной насадке.
- Обеспечьте надежную фиксацию опорной тарелки / абразивной насадки к шлифовальному станку с помощью прилагаемых инструментов.
- Убедитесь, что обрабатываемая деталь надежно закреплена.

Опасности, связанные с принадлежностями

- Перед заменой принадлежностей обязательно отключите подачу сжатого воздуха, сбросьте давление воздуха в шланге и отсоедините инструмент от линии подачи сжатого воздуха.
- Используйте только рекомендованные размеры и типы абразивных насадок.
- Запрещается использовать опорную тарелку, барабан или абразивную насадку, если их допустимая скорость вращения ниже скорости пневматической шлифовальной машины.
- Запрещается устанавливать на шлифовальную машину шлифовальный или отрезной круг. При отсутствии надлежащего защитного кожуха лопнувший шлифовальный круг может стать причиной крайне тяжелой травмы или смерти.
- Используйте только абразивные шлифовальные диски или листы с покрытием с надлежащим креплением к опорной тарелке, поставляемой с пневматической шлифовальной машиной. Убедитесь, что самофиксирующиеся шлифовальные диски установлены концентрически.

Опасности при работе

- Операторы и обслуживающий персонал должны быть физически в состоянии управлять с грузом, весом и мощностью инструмента.
- Держите инструмент надлежащим образом: будьте готовы противодействовать его обычным или внезапным движениям — используйте обе руки.

- При соприкосновении со шлифовальной тарелкой, абразивной насадкой или рабочей поверхностью можно получить порез, защемление или ожог. Избегайте контакта и надевайте подходящие перчатки для защиты рук.
- Осматривайте опорную тарелку каждый раз перед началом использования. Если опорная тарелка треснута, сломана или подверглась падению, ее использование запрещено.
- Запрещается запускать инструмент, когда абразивная насадка не находится на обрабатываемой поверхности.
- При работе на пластиковых и других непроводящих материалах существует опасность получения электростатического разряда.
- При использовании инструмента с предусмотренным защитным кожухом кожух должен быть установлен для обеспечения защиты от вылетающего шлифовального шлама и других осколков.

Опасность повторяющихся движений

- При использовании механизированного инструмента для выполнения рабочих операций могут возникать неприятные ощущения в кистях, предплечьях, плечах, шее или других частях тела.
- Сохраняйте удобное и надежное положение тела и ног, избегая неуклюжих или неустойчивых поз. Смена положения при выполнении продолжительных операций поможет избежать дискомфорта и утомления.
- Не игнорируйте такие симптомы, как постоянный или периодический дискомфорт, острая или ноющая боль, пульсация, покалывание, онемение, ощущение жжения или околечение. Прекратите работу с инструментом, сообщите своему работодателю и проконсультируйтесь с врачом.

Опасность шума и вибрации

- Высокий уровень шума может вызвать постоянную потерю слуха и другие проблемы, такие как звон в ушах. Используйте средства защиты органов слуха, рекомендованные вашим работодателем или правилами охраны труда и безопасности.
- Воздействие вибрации может привести к потере чувствительности нервных окончаний и нарушению кровоснабжения кистей и предплечий. Следует носить теплую одежду и держать руки в тепле и сухости. При онемении, покалывании, боли или побледнении кожи прекратите работу с инструментом, сообщите своему работодателю и проконсультируйтесь с врачом.
- Инструмент следует держать легко, но надежно, поскольку риск воздействия вибрации, как правило, повышается при крепкой хватке. Там, где это возможно, для поддержки веса инструмента следует использовать балансировочное устройство.
- Чтобы предотвратить ненужное повышение уровней шума и вибрации:

- эксплуатируйте и обслуживайте инструмент, а также подбирайте, обслуживайте и заменяйте его принадлежности и расходные материалы в соответствии с данным руководством;
- Используйте демпфирующие материалы для предотвращения «звона» обрабатываемых деталей.

Опасности на рабочем месте

- Подскальзывание, спотыкание и падение являются основными причинами серьезных травм и смерти. Остерегайтесь избыточных частей шлангов, оставленных в зоне прохода или на рабочей площадке.
- Не вдыхайте пыль или пары или продукты обработки, которые могут приводить к ухудшению состояния здоровья (например, рак, врожденные пороки, астма и/или дерматит). При работе с материалами, выделяющими переносимые по воздуху частицы, используйте систему вытяжки пыли и надевайте средства защиты органов дыхания.
- Некоторые виды пыли, образующейся при пескоструйной обработке, пилении, шлифовании, сверлении и других строительных работах, содержат химические вещества, признанные в штате Калифорния веществами, вызывающими рак и врожденные пороки развития либо негативно влияющими на репродуктивную систему. Ниже перечислены некоторые из таких химических веществ:
 - свинец из красок на свинцовой основе;
 - кирпичи, цемент и другие стеновые изделия из кристаллического кремнезема;
 - мышьяк и хром из химически обработанного каучука (резины).

Ваш риск в отношении перечисленных воздействий меняется в зависимости от того, как часто вы выполняете данный вид работ. Чтобы уменьшить воздействие на вас указанных химических веществ, работайте в хорошо вентилируемом помещении с применением одобренных средств защиты, таких как пылезащитные маски, предназначенные специально для фильтрации микроскопических частиц.

- Соблюдайте осторожность при работе в незнакомом месте. Вокруг могут присутствовать скрытые опасности, например линии электрического или другого питания.
- Пыль и пары, выделяемые при шлифовании или полировании, могут создавать потенциально взрывоопасную атмосферу. Обязательно используйте системы вытяжки или улавливания пыли, подходящие для обрабатываемого материала.
- Данный инструмент не предназначен для эксплуатации в потенциально взрывоопасной атмосфере и не защищен от контакта с источниками электроэнергии.

Особые инструкции по устройству

Общие требования безопасности при эксплуатации

Перед началом работы

1. Проверка скорости холостого хода
 - Скорость, измеренная при давлении 6,3 бар / 90 фунтов на кв. дюйм, ман., не должна превышать номинальную скорость, указанную на шлифовальной машине.
 - Перед проверкой скорости холостого хода необходимо снять опорную тарелку и наружный фланец.
 - Проверки следует проводить ежедневно, особенно после продолжительных перерывов в эксплуатации.
 - Убедитесь в разборчивости этикетки с указанием скорости на инструменте.
 - Отдайте инструмент на ремонт в случае повышенной скорости.
2. Проверка курка
 - Убедитесь в надлежащей работе курка.
 - Замените курок, если он неисправен.
 - Запрещается снимать курок или фиксировать его изоляцией.
3. Проверка максимальной скорости
 - Убедитесь, что максимальная скорость, указанная на опорной тарелке и абразивном листе, больше или равна скорости, указанной на шлифовальной машине.
4. Проверка опорной тарелки
 - Убедитесь, что опорная тарелка не имеет трещин и повреждений.
 - Убедитесь, что опорная тарелка имеет соответствующие размеры отверстия и обеспечивает надлежащую посадку на шпиндель во избежание вибраций, вызванных нарушением баланса.
 - Поврежденные опорные тарелки подлежат незамедлительному снятию и замене.
5. Проверка фланца и опорной тарелки
 - Перед заменой опорной тарелки или абразивного листа, а также перед регулировкой инструмента следует всегда отсоединять его от линии подачи сжатого воздуха.
 - Убедитесь, что комбинации из фланца и тарелки соответствуют государственным нормам.
 - Убедитесь, что фланец чистый и не имеет повреждений.
 - Закрепляйте фланцы с рекомендуемым моментом затяжки.
 - Установив опорную тарелку, выполните пробный пуск шлифовальной машины в защищенной зоне.
 - Убедитесь в надлежащей работе шлифовальной машины.
6. Средства индивидуальной защиты
Операторы должны использовать следующее:
 - средство защиты глаз, очки или смотровой щиток;
 - средство защиты органов слуха;
 - перчатки;
 - ботинки с металлическим носком;
 - защитная одежда, например кожаный фартук;
 - каска (для тяжелых условий работы).
 - Не следует надевать свободную одежду, ювелирные изделия, распустать волосы (опасность затягивания в устройство).
7. Рабочая зона
Убедитесь, что в рабочей области нет других людей, чтобы никто не получил травм.
 - Находящиеся поблизости люди также должны использовать средства защиты глаз и органов слуха.
 - Убедитесь в достаточной вентиляции и вытяжке в помещении.
 - Убедитесь в наличии стойки или другого подходящего места для безопасного расположения инструмента.
 - Работать следует в изолированном пространстве, по возможности с защитными стенками. Существует опасность вылета сломавшейся опорной тарелки.

В процессе работы

Прекратите работу с инструментом при возникновении ненормально громких шумов и вибрации в процессе его использования.

Запрещается модифицировать данный инструмент и его принадлежности каким-либо образом.

Эксплуатация

Установка/эксплуатация

См. схему 3.

1. Во избежание непреднамеренного включения, всегда следите за тем, чтобы станок был отсоединен от источника питания.
2. Зафиксируйте принадлежности на станке надлежащим образом. Задействуйте механизм блокировки шпинделя (1), чтобы облегчить замену принадлежностей.
3. Подсоедините устройство к подаче чистого и сухого воздуха.
4. Настройте регулятор давления воздуха на 6,3 бар / 90 фунтов на кв. дюйм, ман. на инструменте.
5. Применяйте масленку пневматической линии с маслом SAE #10, настроенную подачу на двух капель в минуту.
6. Для запуска станка разблокируйте и нажмите предохранительный рычаг (2). Для останова отпустите предохранительный рычаг.

Повернуть рукоятку

См. схему 4.

1. Во избежание непреднамеренного включения, всегда следите за тем, чтобы станок был отсоединен от источника питания.
2. Снимите рукоятку.(1)
3. Извлеките винт.(2)
4. Поверните кронштейн (3) в нужное положение
5. Затяните винт.(2)
6. Установите рукоятку(1).

После завершения работы

⚠ ПРЕДУПРЕЖДЕНИЕ Время остановки может быть дольше 5 секунд.

- ▶ Прежде чем положить инструмент, убедитесь, что он выключен и полностью остановился.
- ▶ Время остановки зависит от используемого абразива.

Аккуратно положите инструмент, убедившись, что невозможен его непреднамеренный или самопроизвольный запуск.

Периодическое и текущее техническое обслуживание

Инструкции по техобслуживанию

- При обращении со всеми компонентами и их утилизации соблюдайте предписания по защите окружающей среды, действующие в стране применения.
- Работы по техническому обслуживанию и ремонту должен выполнять квалифицированный персонал с использованием исключительно оригинальных запасных частей. По вопросам помощи с техническим обслуживанием или приобретения запасных частей обращайтесь к производителю или ближайшему авторизованному дилеру.

- Во избежание непреднамеренного включения, всегда следите за тем, чтобы станок был отсоединен от источника питания.
- При ежедневном использовании инструмента его следует разбирать и осматривать каждые три месяца (500 часов). Поврежденные или изношенные части следует заменять.
- Для сведения времени простоя к минимуму рекомендуется использование следующего ремонтного комплекта: **Регулировочный комплект**

Утилизация

- При утилизации данного оборудования необходимо соблюдать законы, действующие в стране применения.
- Поврежденные, сильно изношенные или работающие с нарушениями устройства всегда **ДОЛЖНЫ ВЫВОДИТЬСЯ ИЗ ЭКСПЛУАТАЦИИ.**

Полезные сведения

Паспорт безопасности продукции

В паспортах безопасности продукции описаны химические продукты, поставляемые компанией Chicago Pneumatic.

Посетите веб-сайт компании Chicago Pneumatic, чтобы ознакомиться с более подробной информацией qr.cp.com/sds.

Страна происхождения

Hungary

Веб-сайт

На веб-сайте Chicago Pneumatic представлена информация о наших изделиях, принадлежностях, запасных частях, а также печатные материалы.

Посетите: www.cp.com.

Авторское право

© Авторское право, 2023, CHICAGO PNEUMATIC Tool Co.LLC, 1815 Clubhouse Road, Rock Hill, SC 29730 - USA

Все права защищены. Любое несанкционированное использование или копирование содержимого настоящего документа или его части запрещено. В частности, это относится к товарным знакам, названиям моделей, номерам деталей и чертежам. Используйте только разрешенные запасные части. Любые повреждения или неисправности, возникшие в результате использования неразрешенных запасных частей, не попадают под действие гарантии и ответственности производителя за продукцию.

Dane techniczne**Dane techniczne narzędzia**

Modele	Prędkość obrotowa bez obciążenia (obr./min)	Masa (kg)	Masa (funty)
CP3650-120AB	12000	1.8	4
CP3650-120AA	12000	1.8	4
CP3650-085AB	8500	1.8	4
CP3650-085AA	8500	1.8	4
CP3650-075AB	7500	1.8	4

Maksymalne ciśnienie robocze

6.3 bar / 90 psig

Deklaracje**Deklaracja zgodności EU**

Firma **CHICAGO PNEUMATIC Tool Co.LLC**, 1815 Clubhouse Road, Rock Hill, SC 29730 - USA oświadcza na swoją wyłączną odpowiedzialność, że produkt (którego nazwę, typ i numer seryjny podano na stronie tytułowej) jest zgodny z postanowieniami następujących dyrektyw:

2006/42/EC (17/05/2006)

Obowiązujące normy zharmonizowane:

EN ISO 11148-8:2011

Władze mogą zażądać istotnych informacji technicznych od:

Pascal Roussy, R&D Manager, Ets Georges Renault, 38 rue Bobby Sands, BP10273 44818 Saint Herblain, France

Saint-Herblain, 2023/06/05**Pascal ROUSSY**

Podpis

Oświadczenie o poziomie hałasu i drgań

Poziom dźwięku- ISO 15744

Model	L _{pA} dB(A)	L _{WA} dB(A)
CP3650-120AB	93	104
CP3650-120AA	93	104
CP3650-085AB	93	104
CP3650-085AA	93	104
CP3650-075AB	90	101

L_{pA} dB(A): poziom ciśnienia akustycznegoL_{WA} dB(A): poziom mocy akustycznejK / K_{pA} = K_{WA} = 3 dB: niepewność pomiaru

Poziom drgań – ISO 28927- 2

Model	Wibracje (m/s ²)
CP3650-120AB	2.6
CP3650-120AA	2.6
CP3650-085AB	2.3
CP3650-085AA	2.3
CP3650-075AB	2

Przedstawione wartości uzyskano w oparciu o badania przeprowadzone w warunkach laboratoryjnych, zgodnie z wymienionymi normami; mogą one być porównywane z deklarowanymi wartościami innych narzędzi przebadanych zgodnie z tymi samymi normami. Przedstawione wartości nie powinny służyć do oceny zagrożenia, a wartości zmierzone w danym miejscu pracy mogą być wyższe. Wartość rzeczywistego działania szkodliwych czynników oraz ryzyko odniesienia obrażeń jest kwestią indywidualną i zależną od sposobu pracy danej osoby, narzędzi, stanowiska pracy oraz stanu zdrowia.

Firma **CHICAGO PNEUMATIC Tool Co.LLC**, nie ponosi odpowiedzialności za skutki stosowania deklarowanych wartości, zamiast wartości odzwierciedlających rzeczywiste narażenie na hałas i drgania, w przypadku indywidualnej oceny zagrożeń występujących w konkretnej sytuacji w miejscu pracy, nad którą w/w firma nie sprawuje kontroli.

Niniejsze narzędzie może powodować wystąpienie syndromu drgań rąk-ramion (HAVS), jeśli nie jest używane we właściwy sposób. Informator Rady Unii Europejskiej dotyczący zarządzania wibracjami przenoszonymi na ręce operatora można znaleźć po przejściu na stronę internetową <http://www.pneurop.eu/index.php> i wybraniu opcji „Tools” [Narzędzia], a następnie „Legislation” [Ustawodawstwo].

Zalecamy przeprowadzanie badań okresowych, mających na celu wykrycie objawów związanych z działaniem drgań, aby umożliwić zmianę procedur i zapobiec dalszemu pogorszeniu stanu zdrowia.

- ⓘ Jeśli niniejszy sprzęt jest przeznaczony do mocowania w uchwytach:
Wielkość emisji hałasu jest podawana jako wskazówka dla konstruktora narzędzia. Odnoszące się do całego narzędzia dane dotyczące emisji drgań i hałasu powinny być zamieszczone w instrukcji obsługi narzędzia.

Wymagania regionalne**⚠ OSTRZEŻENIE**

Ten produkt może narazić użytkownika na kontakt z chemikaliami, między innymi ołowiem, który wg władz stanu Kalifornia powoduje raka, wady wrodzone i upośledzenie płodności. Więcej informacji podano w witrynie

<https://www.p65warnings.ca.gov/>

Bezpieczeństwo

Nie wyrzucać — przekazać użytkownikowi

⚠ OSTRZEŻENIE Należy przeczytać wszystkie ostrzeżenia dotyczące bezpieczeństwa oraz zapoznać się ze wszystkimi instrukcjami, ilustracjami i specyfikacjami dołączonymi do niniejszego narzędzia mechanicznego.

Nieprzebranie wszystkich zmieszczonych poniżej instrukcji może doprowadzić do porażenia prądem elektrycznym, pożaru i/lub poważnych obrażeń.

Wszystkie ostrzeżenia i instrukcje należy zachować do wykorzystania w przyszłości.

⚠ OSTRZEŻENIE Należy zawsze przestrzegać wszystkich lokalnych przepisów dotyczących instalacji, obsługi i konserwacji.

Oświadczenie o przeznaczeniu

- Wyłącznie do użytku profesjonalnego.
- Nie wolno w żaden sposób modyfikować produktu ani jego akcesoriów.
- Nie należy użytkować uszkodzonego produktu.
- Jeśli umieszczone na produkcie etykiety zawierające dane produktu lub ostrzegające przed niebezpieczeństwem przestaną być czytelne lub odpadną, należy je niezwłocznie wymienić.
- Produkt musi być instalowany, obsługiwany i serwisowany wyłącznie przez wykwalifikowaną osobę w warunkach przemysłowych.

Przeznaczenie

Niniejszy produkt jest przeznaczony do szlifowania lub polerowania materiału przy użyciu materiałów ściernych naniesionych powierzchniowo lub osprzętu do polerowania. Używanie do innych celów jest niedozwolone.

Ogólne instrukcje bezpieczeństwa

ⓘ Dodatkowe informacje dotyczące bezpieczeństwa przenośnych narzędzi pneumatycznych:

- CAGI 2528 – B186.1, KODEKS BEZPIECZEŃSTWA DLA PRZENOŚNYCH NARZĘDZI PNEUMATYCZNYCH, dostępny w Global Engineering Documents na stronie internetowej <https://global.ihs.com/> lub pod numerem tel. +1 800 447-2273. W razie trudności z uzyskaniem standardów ANSI należy skontaktować się z ANSI na stronie <https://www.ansi.org/>

Zagrożenia związane z podłączaniem do źródła sprężonego powietrza

- Powietrze pod ciśnieniem może spowodować poważne obrażenia.
- W przypadku nieużywania narzędzia lub przed przystąpieniem do zmiany akcesoriów bądź do wykonania naprawy należy zawsze odciąć dopływ sprężonego powietrza, usunąć ciśnienie z przewodu elastycznego oraz odłączyć narzędzie od źródła sprężonego powietrza.
- Nie wolno kierować sprężonego powietrza na siebie lub inną osobę.

- Węże wprawione w nagły ruch przez wydostające się sprężone powietrze mogą spowodować poważne obrażenia. Zawsze należy sprawdzić, czy elastyczne przewody pneumatyczne i złączki nie są uszkodzone lub obluźnione.
- Nie należy montować szybkozłączki bezpośrednio do narzędzia. Podłączenie należy wykonać zgodnie z instrukcją.
- W przypadku stosowania uniwersalnego wkręcane go złącza, musi być zainstalowany kołek blokujący.
- Nie wolno przekraczać maksymalnej wartości ciśnienia powietrza wynoszącej 6,3 bara (90 psig) lub wartości podanej na tabliczce znamionowej narzędzia.

Kontrola osłony palców (opcjonalne funkcje znajdują się w wykazie części zamiennych)

- Używać zalecanej osłony palców w taki sposób, aby jej nie uszkodzić.
- Osłona palców musi znajdować się między ręką operatora a tarczą roboczą.
- Sprawdzić, czy osłona palców jest prawidłowo zamocowana.

Niebezpieczeństwo pochwycenia

- Zachować bezpieczną odległość od ruchomej ściernicy. Należy pamiętać, że ściernica będzie w ruchu przez pewien czas po zamknięciu zaworu uruchamiającego. W przypadku szlifierek oscylacyjnych może to potrwać kilka sekund.
- Pochwycenie luźnej odzieży, rękawic, biżuterii, krawatów bądź apaszek oraz włosów przez narzędzie lub jego akcesoria grozi uduszeniem, oskalpowaniem i/lub zranieniem.

Niebezpieczeństwo zranienia odłamkami

- Uszkodzenie akcesoriów, elementu ściernego lub przedmiotu obrabianego może spowodować powstanie odłamków o bardzo wysokiej prędkości. Nawet małe odłamki mogą uszkodzić oczy i spowodować ślepotę.
- Podczas posługiwania się narzędziem, a także podczas naprawy lub konserwacji narzędzia bądź w trakcie wymiany jego akcesoriów należy zawsze nosić odporne na uderzenia okulary ochronne i osłonę twarzy.
- Należy zadbać o to, aby inne znajdujące się w pobliżu osoby nosiły okulary ochronne i osłonę twarzy.
- Codziennie należy sprawdzać za pomocą obrotomierza prędkość obrotową szlifiereki lub polerki rotacyjnej, aby się upewnić, że nie przekracza ona dozwolonej prędkości oznaczonej na talerzu oporowym, bębnie lub tarczy ścierniej.
- Talerz oporowy / tarczę ścierną należy pewnie zamocować do szlifiereki przy użyciu znajdujących się w wyposażeniu narzędzi.
- Upewnić się, że obrabiany przedmiot jest pewnie zamocowany.

Zagrożenia stwarzane przez akcesoria

- W przypadku wymiany akcesoriów należy zawsze odciąć dopływ sprężonego powietrza, usunąć ciśnienie z przewodu i odłączyć narzędzie od źródła sprężonego powietrza.

- Stosować wyłącznie tarcze ściernie zalecanych rozmiarów i rodzajów.
- Nie wolno używać talerza oporowego, bębna lub tarczy ścierniej o maksymalnej dozwolonej prędkości obrotowej niższej niż prędkość obrotowa szlifierki pneumatycznej.
- W żadnym wypadku nie wolno montować na szlifierce koła szlifierskiego ani ściernicy do cięcia. Istnieje możliwość rozprysnięcia się koła szlifierskiego pracującego bez odpowiedniej osłony, co może spowodować poważne obrażenia lub śmierć.
- Stosować wyłącznie powlekane tarcze lub arkusze szlifierskie, prawidłowo zamocowane do podkładki oporowej znajdującej się w wyposażeniu szlifierki pneumatycznej. Zwrócić uwagę na to, aby samoprzyczepne tarcze szlifierskie były zamontowane koncentrycznie.

Zagrożenia występujące podczas pracy z narzędziami

- Operatorzy i personel konserwacyjny muszą być fizycznie zdolni do obsługi narzędzia o określonej wielkości, masie i mocy.
- Narzędzie należy trzymać prawidłowo: należy być przygotowanym do przeciwdziałania normalnym lub nagłym ruchom narzędzia — mieć do dyspozycji obie ręce.
- W przypadku kontaktu ze ściernicą, tarczą ścierną lub obrabianą powierzchnią można doznać rany ciętej lub poparzenia. Unikać kontaktu i nosić odpowiednie rękawice ochronne.
- Przed każdym użyciem sprawdzić stan podkładki oporowej. Nie używać pękniętej lub połamanej podkładki oporowej ani podkładki, która upadła na twardą powierzchnię.
- W żadnym wypadku nie należy uruchamiać narzędzia, jeśli ściernica nie jest przyłożona do obrabianego przedmiotu.
- W przypadku obróbki plastiku lub innych nieprzewodzących materiałów istnieje ryzyko powstania wyładowania elektrostatycznego.
- W przypadku używania narzędzia wyposażonego w osłonę zabezpieczającą należy pamiętać, aby osłona była zamocowana na swoim miejscu w celu ochrony przed opiłkami i innym odłamkami powstającymi podczas szlifowania.

Zagrożenia związane z wykonywaniem powtarzających się ruchów

- Podczas pracy z użyciem elektronarzędzia operator może odczuwać dyskomfort w dłoniach, ramionach, barkach, szyi lub innych częściach ciała.
- Należy przyjąć wygodną pozycję, pamiętając jednocześnie o zachowaniu pewnego oparcia dla stóp i unikaniu nienaturalnych lub niezrównoważonych pozycji. Zmiana pozycji podczas wykonywania długotrwałych zadań może pomóc w uniknięciu dyskomfortu i zmęczenia.
- Nie należy ignorować takich objawów jak uporczywy lub powracający dyskomfort, ból, silne bicie serca, uczucie mrowienia, drętwienia, pieczenia lub zeszywnienia. Należy zaprzestać używania narzędzia, powiadomić pracodawcę i zasięgnąć porady lekarza.

Zagrożenia powodowane hałasem i drganiami

- Wysokie poziomy hałasu mogą spowodować trwałą utratę słuchu i inne problemy, takie jak szum w uszach. Należy stosować ochronniki słuchu zalecane przez pracodawcę lub przepisy bezpieczeństwa i higieny pracy.
- Narażenie na działanie drgań może spowodować uszkodzenie nerwów oraz upośledzenie krążenia krwi w dłoniach i ramionach. Należy nosić ciepłą odzież i utrzymywać dłonie w ciepłym i suchym stanie. W przypadku wystąpienia drętwienia, mrowienia, bólu lub bladeści skóry należy zaprzestać używania narzędzia, powiadomić pracodawcę i zasięgnąć porady lekarza.
- Narzędzie należy trzymać lekkim, lecz pewnym chwytem, gdyż ryzyko powodowane drganiami jest zwykle większe, jeśli siła chwytu jest większa. Tam gdzie to możliwe należy podtrzymywać ciężar narzędzia za pomocą przeciwwagi.
- Aby zapobiec występowaniu nadmiernego wzrostu poziomu hałasu i wibracji należy:
 - użytkować i konserwować narzędzie, a także dobierać, konserwować i wymieniać akcesoria oraz materiały eksploatacyjne zgodnie ze wskazówkami zamieszczonymi w niniejszej instrukcji obsługi;
 - Stosować materiały tłumiące, aby zapobiegać powstawaniu drgań przedmiotów obrabianych.

Zagrożenia związane z miejscem pracy

- Główną przyczyną poważnych obrażeń lub śmierci jest poślizgnięcie/przewrócenie/upadek. Należy uważać na luźne przewody elastyczne pozostawione na przejściach lub na powierzchniach roboczych.
- Unikać wdychania pyłu lub dymów, a także kontaktu z opiłkami powstającymi w trakcie pracy, gdyż może to spowodować pogorszenie się stanu zdrowia (na przykład przyczynić się do powstania nowotworów, wad wrodzonych, astmy i/lub zapalenia skóry). W przypadku obróbki materiałów powodujących duże zapylenie należy stosować urządzenia odpylające oraz sprzęt ochrony dróg oddechowych.
- W skład niektórych rodzajów pyłu powstającego podczas polerowania, piłowania, szlifowania, wiercenia i innych operacji wchodzi substancje chemiczne, które — zgodnie z wiedzą posiadaną przez władze stanu Kalifornia — mogą powodować nowotwory, wady wrodzone lub problemy związane z rozrodczością. Przykładami takich substancji chemicznych są między innymi:
 - ołów pochodzący z farb ołowiowych,
 - cegły silikatowe i cement oraz inne produkty murarskie,
 - arsen i chrom pochodzące z chemicznie przetwarzanej gumy.

Zagrożenia związane z oddziaływaniem tych substancji zależą od częstotliwości wykonywania tego rodzaju pracy. Aby zmniejszyć narażenie na oddziaływanie tych substancji chemicznych, należy: pracować w dobrze wentylowanych miejscach i używać atestowanego wyposażenia ochronnego, np. masek przeciwpyłowych przeznaczonych do zatrzymywania mikroskopijnych cząsteczek.

- Należy zachować ostrożność w nieznanym otoczeniu. Zagrożenie mogą stwarzać ukryte instalacje elektryczne lub inne instalacje komunalne.
- Pył i dymy powstające podczas polerowania lub szlifowania mogą stwarzać warunki sprzyjające eksplozji. Zawsze należy stosować urządzenia odpylające lub zapobiegające zapyleniu, dostosowane do obrabianego materiału.
- Niniejsze narzędzie nie jest przeznaczone do użytku w atmosferze zagrożonej wybuchem i nie ma izolacji zabezpieczającej przed zetknięciem ze źródłami energii elektrycznej.

Instrukcje dotyczące produktu

Ogólne zasady bezpiecznej obsługi

Przed przystąpieniem do pracy

1. Kontrola prędkości obrotowej bez obciążenia
 - Prędkość mierzona przy ciśnieniu 6,3 bara nie może przekraczać prędkości znamionowej podanej na szlifierce.
 - Przed sprawdzeniem prędkości obrotowej bez obciążenia należy zdemontować talerz oporowy i zewnętrzny kołnierz.
 - Prędkość obrotową bez obciążenia należy sprawdzać codziennie, a w szczególności po długim okresie przestoju.
 - Sprawdzić, czy oznaczenie prędkości obrotowej na narzędziu jest czytelne.
 - W przypadku nadmiernej prędkości zwrócić narzędzie do naprawy.
2. Kontrola przycisku uruchamiającego
 - Sprawdzić, czy przycisk uruchamiający działa prawidłowo.
 - W razie problemów wymienić przycisk uruchamiający.
 - Nie wolno demontować przycisku uruchamiającego ani blokować go taśmą.
3. Kontrola maksymalnej prędkości obrotowej
 - Sprawdzić, czy podana maksymalna prędkość obrotowa talerza oporowego i arkusza ściernego jest wyższa lub równa prędkości podanej na szlifierce.
4. Kontrola talerza oporowego
 - Sprawdzić, czy talerz oporowy nie jest popękany lub uszkodzony.
 - Talerz oporowy powinien mieć otwór o prawidłowych wymiarach i powinien być prawidłowo zamontowany na wrzecionie, aby uniknąć drgań spowodowanych niewyważeniem.
 - Uszkodzony talerz oporowy należy natychmiast zdemontować i wymienić.

5. Kontrola kołnierza i talerza oporowego
 - Przed przystąpieniem do wymiany talerza oporowego bądź arkusza ściernego lub regulacji narzędzia należy zawsze odłączyć dopływ sprężonego powietrza.
 - Sprawdzić, czy zestawy kołnierzy i talerzy oporowych odpowiadają wymaganiom krajowych przepisów.
 - Sprawdzić, czy kołnierz nie jest zanieczyszczony lub uszkodzony.
 - Zamocować kołnierz, stosując zalecany moment dokręcania.
 - Po zamontowaniu talerza oporowego należy próbnie uruchomić szlifierkę w zabezpieczonej strefie.
 - Sprawdzić, czy szlifierka działa prawidłowo.
6. Środki ochrony indywidualnej:

Dopilnować, aby operatorzy stosowali następujące środki:

- Środki ochrony oczu: okulary ochronne lub osłonę oczu
- Ochronniki słuchu
- Rękawice
- Buty ze stalowymi noskami
- Odzież ochronna, na przykład skórzany fartuch
- Kask (w przypadku wykonywania cięższych prac)
- Nie wolno nosić luźno zwisającej odzieży i biżuterii ani pracować z luźno zwisającymi włosami (niebezpieczeństwo pochwylenia).

7. Strefa robocza

W strefie roboczej nie mogą przebywać osoby postronne, aby nikt nie odniósł obrażeń.

- Osoby znajdujące się w pobliżu muszą nosić ochronniki słuchu i wzroku.
- Zapewnić odpowiednią wentylację i odprowadzenie pyłu z miejsca pracy.
- Stanowisko lub miejsce wykonywania pracy powinno umożliwiać bezpieczne odłożenie narzędzia.
- Pracę należy wykonywać w zamkniętej strefie, w miarę możliwości osłoniętej ściankami ochronnymi. Odłamki złamanego talerza oporowego mogą zostać wyrzucone z dużą siłą.

Podczas pracy

Jeśli w trakcie pracy pojawi się nienormalnie głośny hałas lub drgania, należy zaprzestać użytkowania narzędzia.

Niniejszego narzędzia ani jego akcesoriów nie wolno w żaden sposób modyfikować.

Obsługa

Montaż/obsługa

Zobaczyć Schemat 3.

1. Zawsze sprawdzać, czy maszyna jest odłączona od źródła energii, aby uniknąć przypadkowego uruchomienia.
2. Zamocować akcesoria prawidłowo do urządzenia. Blokada wrzeczona (1) ułatwia wymianę akcesoriów.
3. Podłączyć urządzenie do źródła czystego i suchego powietrza.
4. Za pomocą regulatora ustawić ciśnienie 6,3 bara powietrza zasilającego narzędzie.
5. Użyć smarownicy obwodu powietrza zawierającej olej SAE nr 10, wyregulowanej tak, aby podawała dwie krople oleju na minutę.
6. Aby uruchomić urządzenie, odblokować i nacisnąć dźwignię bezpieczeństwa (2). Zwolnić dźwignię bezpieczeństwa, aby zatrzymać urządzenie.

Obrót rękojeści

Zobaczyć Schemat 4.

1. Zawsze sprawdzać, czy maszyna jest odłączona od źródła energii, aby uniknąć przypadkowego uruchomienia.
2. Wymontować uchwyt (1).
3. Wykręcić śrubę (2).
4. Obrócić wspornik (3) do wymaganego położenia.
5. Dokręcić śrubę (2).
6. Zamontować rękojeść (1).

Po zakończeniu pracy

⚠ OSTRZEŻENIE Czas zatrzymywania może być dłuższy niż 5 sekund.

- ▶ Przed odłożeniem narzędzie należy bezwzględnie wyłączyć i poczekać, aż zatrzyma się całkowicie.
- ▶ Czas zatrzymywania zależy od użytej tarczy szlifierskiej.

Ostrożnie odłożyć narzędzie, aby upewnić się, że nie uruchomi się ono samoczynnie.

Serwis i konserwacja

Wskazówki dotyczące konserwacji

- Postępować zgodnie z krajowymi przepisami dotyczącymi bezpiecznej obsługi i utylizacji wszystkich podzespołów.
- Czynności konserwacyjne i naprawcze muszą być przeprowadzane przez wykwalifikowany personel z użyciem wyłącznie oryginalnych części zamiennych. W celu uzyskania porady na temat obsługi technicznej lub części zamiennych należy skontaktować się z producentem lub najbliższym autoryzowanym dealerem.
- Zawsze sprawdzać, czy maszyna jest odłączona od źródła energii, aby uniknąć przypadkowego uruchomienia.
- Jeśli narzędzie jest używane każdego dnia, rozmontowywać je i sprawdzać co 3 miesiące (500 godzin). Wymieniać uszkodzone lub zużyte części.
- Aby ograniczyć przestoje do minimum, zalecany jest następujący zestaw serwisowy: **Zestaw konfiguracyjny**

Utylizacja

- Ten sprzęt należy zutylizować zgodnie z krajowymi przepisami.
- Uszkodzone, zużyte lub nieprawidłowo działające urządzenia **NALEŻY WYCOFAĆ Z EKSPLOATACJI**.

Przydatne informacje

Karta charakterystyki materiału

Karty charakterystyki materiałów opisują produkty chemiczne sprzedawane przez firmę Chicago Pneumatic.

Więcej informacji zamieszczono na stronie internetowej Chicago Pneumatic pod adresem qr.cp.com/sds.

Kraj pochodzenia

Hungary

Strona internetowa

Informacje o naszych produktach, akcesoriach, częściach zamiennych i publikacjach można odnaleźć na stronie Chicago Pneumatic.

Zapraszamy do odwiedzenia: www.cp.com.

Prawa autorskie

© Copyright 2023, CHICAGO PNEUMATIC Tool Co.LLC, 1815 Clubhouse Road, Rock Hill, SC 29730 - USA

Wszelkie prawa zastrzeżone. Wszelkie nieuprawnione użytkowanie lub kopiowanie zawartości niniejszego dokumentu bądź jego części jest zabronione. Dotyczy to w szczególności znaków towarowych, oznaczeń modeli, numerów części oraz rysunków. Używać wyłącznie zatwierdzonych części zamiennych. Wszelkie uszkodzenia lub usterki spowodowane używaniem niezatwierdzonych części zamiennych nie są objęte gwarancją ani odpowiedzialnością z tytułu rękojmi za wady produktu.

Technické údaje

Údaje o nástroji

Modely	Otáčky napřázdno (ot./min.)	Hmotnost' (kg)	Hmotnost' (lb)
CP3650-120AB	12000	1.8	4
CP3650-120AA	12000	1.8	4
CP3650-085AB	8500	1.8	4
CP3650-085AA	8500	1.8	4
CP3650-075AB	7500	1.8	4

Maximální pracovní tlak

6.3 bar / 90 psig

Vyhlásenia

EU Vyhlásenie o zhode

My, CHICAGO PNEUMATIC Tool Co.LLC, 1815 Clubhouse Road, Rock Hill, SC 29730 - USA, vyhlasujeme na našu výhradnú zodpovednosť, že výrobok (s názvom, typovým a výrobným číslom, pozri prednú stranu), je v zhode s nasledovnou(ými) smernicou(ami):

2006/42/EC (17/05/2006)

Uplatnené harmonizované normy:

EN ISO 11148-8:2011

Orgány si môžu vyžiadať príslušné technické informácie od:

Pascal Roussy, R&D Manager, Ets Georges Renault, 38 rue Bobby Sands, BP10273 44818 Saint Herblain, France

Saint-Herblain, 2023/06/05

Pascal ROUSSY



Podpis

Vyhlásenie o hlučnosti a vibráciách

Hladina hluku – ISO 15744

Model	L _{pA} dB(A)	L _{WA} dB(A)
CP3650-120AB	93	104
CP3650-120AA	93	104
CP3650-085AB	93	104
CP3650-085AA	93	104
CP3650-075AB	90	101

L_{pA} dB(A): hladina akustického tlaku

L_{WA} dB(A): hladina akustického výkonu

K / K_{pA} = K_{WA} = 3 dB: neistota

Hladina vibrácií – ISO 28927-2

Model	Vibrácie (m/s ²)
CP3650-120AB	2.6
CP3650-120AA	2.6
CP3650-085AB	2.3
CP3650-085AA	2.3
CP3650-075AB	2

Uvedené hodnoty boli zistené laboratórnymi skúškami v súlade s uvedenými normami a sú vhodné na porovnanie s deklarovateľnými hodnotami iného náradia v súlade s rovnakými normami. Tieto deklarovateľné hodnoty nie sú vhodné na posudzovanie rizík a hodnoty odmerané na jednotlivých pracoviskách môžu byť vyššie. Hodnoty aktuálnej expozície a riziko poškodenia zdravia, zistené individuálnymi používateľmi, sú jedinečné a závisia od spôsobu práce používateľa, povahy obrobku a usporiadania pracoviska, ako aj od času expozície a fyzického stavu používateľa.

My, CHICAGO PNEUMATIC Tool Co.LLC, nemôžeme byť zodpovední za následky používania uvádzaných hodnôt namiesto hodnôt, ktoré zodpovedajú aktuálnemu vyžarovaniu v individuálnom posúdení rizika v situácii na pracovnom mieste, nad ktorým nemáme kontrolu.

Tento nástroj môže spôsobiť syndróm vibrácií pôsobiacich na ruky a ramená, aj nie je adekvátne spravované jeho používanie. EU príručku ohľadom vibrácií pôsobiacich na ruky a ramená nájdete na <http://www.pneuop.eu/index.php> a následným zvolením 'Nástroje', potom 'Legislatíva'.

Odporúčame preventívnu kontrolu zdravotného stavu na detekciu včasných príznakov v dôsledku zaťaženia vibráciami, aby bolo možné upraviť postupy, ktoré by zabránili výskytu ťažkostí v budúcnosti.

- ⓘ Ak toto zariadenie je určené pre upínacie aplikácie: Úroveň emisií je udaná ako odporúčanie pre techniku stroja. Údaje o emisii hluku a vibrácií pre celý stroj nájdete v návode na obsluhu stroja.

Regionálne požiadavky

⚠ VAROVANIE

Pri používaní tohto výrobku môžete byť vystavení chemikáliám vrátane olova, o ktorom je v štáte Kalifornia známe, že spôsobuje rakovinu a vrodené chyby alebo iné reprodukčné poruchy. Pre viac informácií prejdite na <https://www.p65warnings.ca.gov/>

Bezpečnosť

NEVYHADZUJE – ODOVZDAJTE POUŽÍVATEĽOVI

⚠ VAROVANIE Prečítajte si všetky bezpečnostné varovania, pokyny, obrázky a špecifikácie poskytnuté s týmto elektrickým nástrojom.

Nedodržanie všetkých dole uvedených pokynov môže mať za následok zásah elektrickým prúdom, požiar a/alebo vážne poranenie.

Všetky varovania a pokyny si odložte pre budúce nahliadnutie.

⚠ VAROVANIE Všetky lokálne legislatívne bezpečnostné predpisy, ktoré sa týkajú inštalácie, prevádzky a údržby sa musia vždy dodržiavať.

Účel použitia

- Iba pre profesionálne použitie.
- Tento výrobok a jeho príslušenstvo sa nesmie v žiadnom prípade prerábať.
- Tento výrobok nepoužívajte, ak bol poškodený.
- Ak údaje o výrobku alebo výstražné štítky upozorňujúce na nebezpečenstvo umiestnené na výrobku prestanú byť čitateľné alebo sa uvoľnia, bezodkladne ich nahraďte.
- Výrobok smie inštalovať, obsluhovať a servisovať iba kvalifikovaná osoba v priemyselnom prostredí.

Určené použitie

Tento výrobok je navrhnutý na odstraňovanie alebo leštenie materiálu pomocou abrazívnych alebo leštiacich nadstavcov. Iné použitie nepovolené.

Všeobecné bezpečnostné pokyny

❶ Doplňujúce bezpečnostné informácie týkajúce sa prenosných pneumatických nástrojov:

- CAGI 2528 - B186.1, BEZPEČNOSTNÝ KÓD PRE PRENOSNÉ PNEUMATICKÉ NÁSTROJE, k dispozícii z Global Engineering Documents na stránke <https://global.ihs.com/> alebo zavolajte na číslo +1 800 447-2273. V prípade ťažkostí so získaním noriem ANSI kontaktujte ANSI cez stránku <https://www.ansi.org/>

Prívod vzduchu a nebezpečenstvá napojenia

- Vzduch pod tlakom môže spôsobiť vážne zranenie.
- Keď nástroj nepoužívate, pred výmenou príslušenstva alebo pri oprave vždy vypnite prívod vzduchu, z hadice vytlačte vzduch pod tlakom a nástroj odpojte od prívodu vzduchu.
- Vzduch pod tlakom môže spôsobiť vážne zranenie.
- Šľahajúce hadice môžu spôsobiť vážne zranenie. Vždy skontrolujte, či nie sú hadice a fittingy poškodené alebo uvoľnené.
- Na nástroji nepoužívajte rýchlospojky. Pozrite si pokyny pre správne nastavenie.
- Keď sa používa univerzálna závitová spojka, vždy sa musia nainštalovať poistné kolíky.
- Neprekračujte maximálny tlak vzduchu 6,3 bar / 90 psi, ako je uvedené na štítku nástroja.

Kontrola chrániča prstov (voliteľná funkcia, pozri zoznam náhradných dielov)

- Používajte odporúčaný chránič prstov a uistite sa, že nie je poškodený.
- Umiestnite chránič prstov medzi vašu ruku a podložku na pieskovanie.
- Skontrolujte, či je chránič prstov riadne zaistený.

Nebezpečenstvá zamotania

- Udržiavajte mimo pohyblivej podložky na pieskovanie. Brúsny kotúč sa bude naďalej točiť po zatvorení spúšťačieho ventilu; u excentrických pieskovačov to môže trvať niekoľko sekúnd.
- V prípade, že sa nezachová dostatočná vzdialenosť medzi voľným oblečením, rukavicami, šperkami, náhrdelníkmi, vlasmi a nástrojom a jeho príslušenstvom, môže dôjsť k duseniu, skalpovaniu alebo tržným ranám.

Nebezpečenstvo projektívov

- Zlyhanie príslušenstva alebo abrazívneho prostriedku, alebo obrobku, môže znamenať vznik vysokorýchlych projektívov. Dokonca aj malé projektily môžu zraniť oči a spôsobiť stratu zraku.
- Pri prevádzke, oprave alebo údržbe nástroja alebo v ich blízkosti alebo pri výmene príslušenstva nástroja vždy používajte ochranu očí a tváre odolnú voči nárazom.

- Uistite sa, či všetci v pracovnom priestore majú nasadené nárazuvzdorné chrániče očí a tváre.
- Každý deň tachometrom zmerajte rýchlosť otočného pieskovača alebo leštiča a dajte pozor, aby nebola vyššia než obrátky za minútu vyznačené na podložke, valci alebo brúsnej časti.
- Uistite sa, že podporná podložka/abrazívnej fólia sú bezpečne upnuté k brúske pomocou poskytnutých nástrojov.
- Skontrolujte, či je obrobok bezpečne upnutý.

Nebezpečenstvá pri príslušenstve

- Pri výmene príslušenstva vždy vypnite prívod vzduchu, z hadice vytlačte vzduch pod tlakom a nástroj odpojte od prívodu vzduchu.
- Používajte len odporúčané veľkosti a typy brúsnych častí.
- Nikdy nepoužívajte podložky, valce ani brúsne časti s povolenou rýchlosťou nižšou než je rýchlosť vzduchového pieskovača.
- Nikdy na pieskovač nenasadzujte brúsny ani rezný kotúč. Brúsny kotúč, ktorý vybuchuje, môže spôsobiť ťažké zranenie alebo smrť, ak nie je riadne strážený.
- Používajte len potiahnuté brúsne disky alebo pieskovacie fólie, riadne pripevnené na podložku dodanú so vzduchovým pieskovačom. Skontrolujte, či sú samopúpanie pieskovacie disky nasadené koncentricky.

Nebezpečenstvá pri prevádzke

- Pracovníci obsluhy a údržby musia byť fyzicky schopní objemný, ťažký a mohutný nástroj manipulovať.
- Nástroj držte v správnej polohe: buďte pripravení reagovať na normálne alebo náhle pohyby oboma rukami.
- Môže dôjsť k porezaniu alebo popáleniu, ak dôjde ku kontaktu s podložkou na pieskovanie, brúsnym prostriedkom alebo pracovnou plochou. Vyhnite sa kontaktu a nosne vhodné rukavice na ochranu vašich rúk.
- Pred každým použitím skontrolujte podpornú podložku. Nepoužívajte ju, ak je zlomená alebo prasknutá, resp. ak spadla.
- Nástroj môžete používať iba vtedy, keď je abrazívny nadstavec aplikovaný na obrobok.
- Existuje tu nebezpečenstvo elektrostatického výboja pri použití na plastoch alebo iných nevodivých materiáloch.
- Keď používate nástroj, ktorý je navrhnutý s krytom, kryt musí byť na mieste, aby chránil pred brúsnymi pilinami alebo lietajúcimi sutinami.

Nebezpečenstvá z opakovaných pohybov

- Pri používaní elektrického nástroja za účelom vykonania pracovných úloh môže operátor pocítiť nepohodlie v rukách, ramenách, pleciach, krku alebo iných častiach tela.
- Zaujmite pohodlné držanie tela a zároveň si zachovajte bezpečný postoj, aby ste sa vyhli neprirodzeným alebo nerovnovážnym polohám. Zmena postoja počas dlho trvajúcich prác môže pomôcť predísť nepohodliu a únave.

- Neignorujte symptómy ako trvalé alebo opakujúce sa nepohodlie, bolesť, búšenie, bodavú bolesť, trpnutie, necitlivosť, pálenie alebo stuhnutie. Prestaňte používať nástroj, informujte vášho zamestnávateľa a vyhľadajte lekára.

Nebezpečenstvá spôsobené hlukom a vibráciami

- Vysoké úrovne hluku môžu spôsobiť trvalú stratu sluchu alebo iné problémy, ako napr. hučanie v ušiach. Používajte ochranu sluchu odporúčanú zamestnávateľom alebo predpismi týkajúcimi sa zdravia a bezpečnosti na pracovisku.
- Vystavenie vibráciám môže spôsobiť vážne poškodenie nervov a prívodu krvi na rukách a ramenách. Noste teplé oblečenie a uchovajte si ruky teplé a suché. Ak dôjde k znecitliveniu, trpnutiu, bolesti alebo zbeleniu kože, prestaňte s nástrojom pracovať, informujte vášho zamestnávateľa a vyhľadajte lekára.
- Nástroj uchopte zľahka ale bezpečne, pretože nebezpečenstvo spôsobované vibráciami je väčšie pri pevnejšom uchopení. Ak je to možné, vyvážte hmotnosť nástroja navijakom.
- Aby ste predišli zbytočnému zvyšovaniu úrovni hluku a vibrácií:
 - Nástroj prevádzkujte a servisujte, a vyberte, servisujte a nahraďte príslušenstvo a spotrebné diely v súlade s týmto návodom na obsluhu.
 - Použite tlmiace materiály, aby ste predišli „zvoneniu“ obrobkov.

Nebezpečenstvá na pracovisku

- Pošmyknutie/zakopnutie/pád sú významnou príčinou vážneho zranenia alebo smrti. Dávajte pozor na nadbytočné hadice ponechané na povrchu, kde sa chodí alebo pracuje.
- Predíd'te vdychnutiu prachu, výparov alebo sutiny, ktoré vznikli pri práci a ktoré môžu spôsobiť zdravotné problémy (napr. rakovinu, pôrodné defekty, astmu a/alebo zápal kože). Pri práci s materiálmi, pri ktorých vznikajú vzduchové častice, používajte odsávanie prachu a vybavenie na ochranu dýchania.
- Niektoré prachy vytvorené pri pieskovaní, pílení, brúsení, vrtaní a iných stavebných aktivitách obsahujú chemikálie, o ktorých je v štáte Kalifornia známe, že spôsobujú rakovinu a vrodené chyby alebo iné reprodukčné poškodenia. Medzi niektoré príklady takýchto chemikálií patria:
 - olovo z olovnatých farieb,
 - tehly a cement s kryštalického kremeňa a iné murárske produkty,
 - arzén a chróm z chemicky ošetrenej gummy.

Vaše riziko pri týchto expozíciách sa líši podľa toho, ako často vykonávate tento druh práce. Na zníženie expozície týchto chemikálií: pracujte v dobre vetranej oblasti a pracujte so schváleným bezpečnostným vybavením ako napríklad maskou proti prachu, ktoré je špeciálne navrhnuté na odfiltrovanie mikroskopických častíc.

- V neznámom prostredí postupujte opatrne. Môžu tam existovať skryté riziká, ako napríklad elektrina alebo iné vedenia.

- Prach a výpary v dôsledku pieskovania a brúsenia môžu spôsobiť vznik potenciálne výbušných atmosfér. Používajte systém na odsávanie alebo odrušenie, ktorý je vhodný na spracovávaný materiál.
- Tento nástroj nie je určený na prácu v potenciálne výbušných atmosférach a nie je izolovaný pred kontaktom so zdrojom elektrického prúdu.

Pokyny špecifické pre výrobcov

Všeobecná prevádzková bezpečnosť

Pred začatím práce

1. Kontrola rýchlosti voľnobehu
 - Nameraná rýchlosť pri tlaku 6,3 bar / 90 PSIG nesmie byť vyššia ako nominálna rýchlosť označená na obrusovačke.
 - Pred kontrolou neobmedzenej rýchlosti vyberte podpornú podložku a vonkajšiu prírubu.
 - Kontroly rýchlosti voľnobehu vykonávajte denne, najmä po dlhšej dobe nepoužívania.
 - Uistite sa, že označenie rýchlosti na nástroji je čitateľné.
 - Ak nástroj prekračuje rýchlosť, vráťte ho na opravu.
2. Kontrola spúšte
 - Uistite sa, že spúšť funguje správne.
 - Ak spúšť nefunguje správne, vymeňte ju.
 - Nikdy neodstraňujte spúšť ani ju nezaist'ujte páskou.
3. Kontrola maximálnej rýchlosti
 - Uistite sa, že uvedená maximálna rýchlosť podpornej podložky a abrazívnej fólie je vyššia alebo rovnaká ako rýchlosť vyznačená na obrusovačke.
4. Kontrola podpornej podložky
 - Uistite sa, či nie je podporná podložka prasknutá alebo poškodená.
 - Uistite sa, že podporná podložka má správne rozmery otvorov a je správne nasadený na vreteno, aby sa zabránilo nevyváženým vibráciám.
 - Poškodenú podpornú podložku okamžite odstráňte a vymeňte.
5. Kontrola príruby a podpornej podložky
 - Pred výmenou podpornej podložky alebo abrazívnej fólie alebo nastavovaním nástroja vždy odpojte prívod vzduchu.
 - Uistite sa, že kombinácie príruby a podložky zodpovedajú národným predpisom.
 - Uistite sa, že príruha je čistá a nepoškodená.
 - Pripojte prírubu s odporúčaným uťahovacím momentom.
 - Po montáži podpornej podložky vykonajte skúšobný chod obrusovačky v chránenej oblasti.
 - Uistite sa, že obrusovačka funguje správne.

6. Osobné ochranné prostriedky:
- Uistite sa, že operátor používa nasledujúcu výbavu:
- ochrana očí, ochranné okuliare alebo prieszor,
 - ochrana uší,
 - rukavice,
 - obuv s oceľovou špičkou,
 - ochranné oblečenie, ako napr. koženú zásteru,
 - helma (pre ťažšie aplikácie).
 - Nenoste voľne visiace oblečenie vlasy alebo šperky (nebezpečenstvo zachytenia).
7. Pracovná oblasť
- Uistite sa, že sa v pracovnej oblasti nenachádzajú iné osoby, aby sa nikto nezranil.
- Osoby nablízku musia nosiť ochranu sluchu a očí.
 - Uistite sa, že ventilácia a odsávanie prachu z miestnosti sú dostatočné.
 - Uistite sa, že je k dispozícii podstavec alebo miesto na bezpečné umiestnenie nástroja.
 - Práca v ohradenej oblasti, ak je to možné, s ochrannými stenami. Hrozí riziko, že zlomené podporné podložky vyletia.

Počas práce

Ak sa počas práce nástroja objaví nezvyčajne vysoký hluk alebo vibrácie, prácu prerušte.

Tento nástroj a jeho príslušenstvo sa nesmie upravovať.

Obsluha

Inštalácia/prevádzka

Pozri schéma 3.

1. Vždy zabezpečte, aby bol stroj odpojený od zdroja energie, aby sa predišlo náhodnej prevádzke.
2. Príslušenstvo riadne pripevnite k stroju. Ako pomôcku na výmenu príslušenstva použite aretáciu vretena (1).
3. Zariadenie pripojte k prívodu čistého a suchého vzduchu.
4. Nastavte regulátor tlaku vzduchu tak, aby mal na nástroji 6,3 bar / 90 PSIG.
5. Použite olejničku vzduchového vedenia s olejom SAE #10 nastavenou na dve kvapky za minútu.
6. Ak chcete spustiť stroj, odblokujte a stlačte poistnú páku (2). Ak ho chcete zastaviť, pustite poistnú páku.

Otáčanie rukoväte

Pozri schéma 4.

1. Vždy zabezpečte, aby bol stroj odpojený od zdroja energie, aby sa predišlo náhodnej prevádzke.
2. Demontujte rukoväť (1).
3. Odoberte skrutku (2).
4. Otočte konzolu (3) do požadovanej polohy.
5. Utiahnite skrutku (2).

6. Namontujte rukoväť (1).

Po skončení prác

VAROVANIE Čas do zastavenia môže byť viac ako 5 sekúnd.

- ▶ Pred odložením nástroja sa uistite, že je vypnutý a že sa úplne zastavil.
- ▶ Čas do zastavenia závisí od použitého brusiva.

Opatrne položte nástroj, aby sa sám nespustil samočinne/sám od seba.

Servis a údržba

Pokyny pre údržbu

- Dodržiavajte miestne environmentálne predpisy pre bezpečnú manipuláciu so všetkými komponentmi a ich likvidáciu.
- Údržbu a opravy musí vykonávať kvalifikovaný personál používajúci iba originálne náhradné diely. Ak potrebujete poradenstvo o technických službách alebo náhradné diely, obráťte sa na výrobcu alebo na najbližšieho autorizovaného predajcu.
- Vždy zabezpečte, aby bol stroj odpojený od zdroja energie, aby sa predišlo náhodnej prevádzke.
- Ak sa nástroj používa každý deň, demontujte a skontrolujte ho každé 3 mesiace (500 hodín). Vymeňte poškodené alebo opotrebované diely.
- Na minimalizáciu prestojov sa odporúča nasledujúca servisná súprava: **Nastavovacia súprava**

Likvidácia

- Pri likvidácii tohto zariadenia dodržiavajte právne predpisy príslušnej krajiny.
- Všetky poškodené, silno opotrebované alebo nesprávne fungujúce zariadenia **SA MUSIA VYRADIŤ Z PREVÁDZKY**.

Užitočné informácie

Karta bezpečnostných údajov

Karty bezpečnostných údajov popisujú chemické výrobky predávané spoločnosťou Chicago Pneumatic.

Pre viac informácií navštívte webovú stránku spoločnosti Chicago Pneumatic qr.cp.com/sds.

Krajina pôvodu

Hungary

Webová stránka

Informácie ohľadne našich výrobkov, príslušenstva, náhradných dielov a zverejnených materiálov nájdete na webovej stránke Chicago Pneumatic.

Navštívte, prosím: www.cp.com.

Copyright

© Copyright 2023, CHICAGO PNEUMATIC Tool Co.LLC, 1815 Clubhouse Road, Rock Hill, SC 29730 - USA

Všetky práva vyhrazené. Akékoľvek neautorizované použitie alebo kopírovanie obsahu alebo jeho časti je zakázané. Týka sa to predovšetkým obchodných značiek, označení modelov, čísel dielov a výkresov. Používajte iba autorizované diely. Na akékoľvek škody alebo zlyhania spôsobené používaním neautorizovaných dielov sa nevzťahuje záruka ani ručenie za výrobok.

Technické údaje

Údaje o nástroji

Modely	Otáčky bez zátěže (ot./min.)	Hmotnost (kg)	Hmotnost (lb)
CP3650-120AB	12000	1.8	4
CP3650-120AA	12000	1.8	4
CP3650-085AB	8500	1.8	4
CP3650-085AA	8500	1.8	4
CP3650-075AB	7500	1.8	4

Maximální provozní tlak

6.3 bar / 90 psig

Prohlášení

Prohlášení o shodě s předpisy EU

My, společnost **CHICAGO PNEUMATIC Tool Co.LLC**, 1815 Clubhouse Road, Rock Hill, SC 29730 - USA, na vlastní odpovědnost prohlašujeme, že produkt (s názvem, typem a sériovým číslem, viz přední stranu) splňuje požadavky těchto směrnic:

2006/42/EC (17/05/2006)

Použité harmonizované normy:
EN ISO 11148-8:2011

Úřady si mohou vyžádat příslušné technické informace od:

Pascal Roussy, R&D Manager, Ets Georges Renault, 38 rue Bobby Sands, BP10273 44818 Saint Herblain, France

Saint-Herblain, 2023/06/05

Pascal ROUSSY



Podpis

Prohlášení o hluku a vibracích

Hladina hluku – ISO 15744

Model	L _{pA} dB(A)	L _{WA} dB(A)
CP3650-120AB	93	104
CP3650-120AA	93	104
CP3650-085AB	93	104

Model	L _{pA} dB(A)	L _{WA} dB(A)
CP3650-085AA	93	104
CP3650-075AB	90	101

L_{pA} dB(A): úroveň akustického tlaku

L_{WA} dB(A): hladina akustického výkonu

K/K_{pA} = K_{WA} = 3 dB: nejistota

Hladina vibrací – ISO 28927-2

Model	Vibrace (m/s ²)
CP3650-120AB	2.6
CP3650-120AA	2.6
CP3650-085AB	2.3
CP3650-085AA	2.3
CP3650-075AB	2

Tyto deklarované hodnoty byly získány laboratorním testováním v souladu s uvedenými standardy a jsou vhodné pro porovnání s deklarovanými hodnotami jiného nářadí testovaného v souladu se stejnými standardy. Tyto deklarované hodnoty nejsou vhodné pro použití při stanovení rizika a hodnoty naměřené na konkrétním pracovišti mohou být vyšší. Aktuální hodnoty zatížení hlukem a vibracemi a nebezpečí újmů zaznamenané konkrétním uživatelem jsou individuální a závisí na způsobu práce uživatele, obrobku a uspořádání pracoviště, jakož i na době vystavení a na fyzické kondici uživatele.

My, společnost **CHICAGO PNEUMATIC Tool Co.LLC**, neponeseme žádnou odpovědnost za důsledky použití deklarovaných hodnot, namísto hodnot odrážejících skutečnou expozici, při individuálním hodnocení rizik v konkrétní situaci na pracovišti, kterou nemůžeme nijak ovlivnit.

Tento nástroj, pokud není přiměřeným způsobem používán, může způsobovat vibrační syndrom ruky a paže. Pokyny EU týkající se zvládnutí vibrací ruky a paže naleznete na webových stránkách <http://www.pneurop.eu/index.php>, kde zvolte možnost „Tools“ (Nástroje) a poté „Legislation“ (Legislativa).

Doporučujeme program zdravotního dohledu umožňující včasné odhalení symptomů, které mohou souviset se zatížením vibracemi, aby bylo možné upravit řídicí procesy s cílem předcházení budoucím újmám.

- i** Pokud je toto zařízení určeno pro vestavěné aplikace: Hlukové emise jsou uvedeny jako vodítko pro výrobce stroje. Údaje o hlukových a vibračních emisích pro celý stroj musí být uvedeny v návodu k použití stroje.

Oblastní požadavky

⚠ VÝSTRAHA

U tohoto výrobku můžete být vystaveni působení chemických látek včetně olova, což je ve státě Kalifornie faktor způsobující rakovinu, poškození plodu nebo jiné reprodukční poškození. Více informací je k dispozici na stránce

<https://www.p65warnings.ca.gov/>

Bezpečnost

NEVYHAZUJTE – PŘEDEJTE UŽIVATELI

⚠ VÝSTRAHA Přečtete si všechny bezpečnostní výstrahy, pokyny, ilustrace a specifikace dodané s tímto elektrickým nástrojem.

Nedodržení veškerých níže uvedených pokynů může mít za následek úraz elektrickým proudem, požár a/nebo vážný úraz.

Uschovejte všechny texty varování a pokynů i pro budoucí potřebu.

⚠ VÝSTRAHA Vždy dodržujte všechna zákonná bezpečnostní pravidla týkající se instalace, provozu a údržby produktu.

Prohlášení o použití

- Pouze pro profesionální použití.
- Tento nástroj a jeho příslušenství je zakázáno jakýmkoliv způsobem upravovat.
- Nepoužívejte tento produkt, pokud je poškozen.
- Pokud na produktu nejsou čitelné štítky s údaji o produktu či výstražné štítky, nebo pokud dojde k jejich oddělení od produktu, bez prodlení je nahraďte novými.
- Tento produkt smí instalovat, používat či provádět jeho servis pouze kvalifikované osoby v průmyslovém montážním prostředí.

Určené použití

Tento produkt je zkonstruován pro odstraňování nebo leštění materiálu pomocí brusných nebo leštících nástavců s povrchovou úpravou. Jiné použití není povoleno.

Obecné bezpečnostní pokyny

ⓘ Další bezpečnostní informace ohledně přenosného pneumického nářadí:

- CAGI 2528 - B186.1, SAFETY CODE FOR PORTABLE AIR TOOLS (Bezpečnostní pravidla pro přenosné pneumické nářadí), k dispozici na webových stránkách Global Engineering Documents na adrese <https://global.ihs.com/> nebo na telefonním čísle +1 800 447-2273. V případě obtíží při získávání norem ANSI se obraťte na organizaci ANSI prostřednictvím webové stránky <https://www.ansi.org/>

Přívod vzduchu a nebezpečí při připojení

- Vzduch pod tlakem může způsobit vážný úraz.
- Vždy vypněte přívod vzduchu, z hadic vypusťte tlak vzduchu a odpojte nástroj od přívodu vzduchu, když se nepoužívá, před výměnou jeho příslušenství nebo při provádění jeho oprav.
- Proud vzduchu nikdy nemiřte na sebe ani na nikoho jiného.
- Házení hadic může způsobit vážný úraz. Vždy zkontrolujte, jestli hadice a spojky nejsou poškozené nebo uvolněné.

- Nikdy nepoužívejte rychlospojky. Viz pokyny pro správné nastavení.
- Univerzální utahovací spojky musejí být vždy použity s pojistnými kolíky.
- Nepřekračujte maximální tlak vzduchu 6,3 baru / 90 psig nebo tlak uvedený na štítku nářadí.

Kontrola ochrany prstů (volitelná výbava, viz seznam náhradních dílů)

- Používejte doporučenou ochranu prstů a ujistěte se, že není poškozená.
- Ochranu prstů umístěte mezi ruku a brusnou destičku.
- Zkontrolujte, zda ochrana prstů je řádně zajištěna.

Nebezpečí namotání

- Nedotýkejte se pohybující se brusné destičky. Upozorňujeme, že abrazivum se bude otáčet i po uzavření spouštěcího ventilu; v případě dvojčinných brusek to může trvat několik sekund.
- Když nebudete udržovat volné části oděvu, rukavice, šátek nebo jiné oděvní součásti či ozdoby nošené na krku a vlasy v dostatečné vzdálenosti od nářadí a příslušenství, může dojít k jejich zachycení nářadím, což vám může způsobit udušení, skalpování anebo tržné rány.

Rizika odlétávajících předmětů

- Při poškození příslušenství nebo brusného materiálu, případně obrobku, mohou vznikat předměty odlétávající vysokou rychlostí. Také malé odlétávající předměty mohou způsobit poranění očí a následnou slepotu.
- Vždy používejte nárazuvzdorné ochranné brýle a obličejový kryt při práci s nářadím a jeho opravě a údržbě či při výměně příslušenství, nebo pokud jsou tyto činnosti prováděny ve vaší blízkosti.
- Zajistěte, aby také všichni ostatní v pracovním prostoru měli nárazuvzdorné brýle a obličejové kryty.
- Denně měřte otáčky rotační brusky nebo leštičky otáčkoměrem, abyste si ověřili, že nejsou větší, než otáčky za minutu uvedené na podpurné destičce, disku nebo brusném materiálu.
- Zajistěte, aby byla podpurná podložka s brusným materiálem bezpečně upnuta do brusky s pískovaným brusným materiálem za použití dodaného nástroje.
- Dbejte na to, aby byl obrobek řádně upevněn.

Rizika spojená s příslušenstvím

- Vždy, když vyměňujete příslušenství, vypněte přívod vzduchu, uvolněte tlak vzduchu a odpojte nástroj od přívodu vzduchu.
- Používejte pouze doporučené velikosti a typy brusných materiálů.
- Nikdy nepoužívejte podpurnou destičku, disk nebo brusný materiál s povolenou rychlostí nižší, než je rychlost pneumické brusky.
- Nikdy na brusku nenasazujte brusný nebo řezný kotouč. Brusný kotouč, který praskne, může způsobit velmi vážné zranění nebo usmrcení, pokud není řádně zabezpečen.

- Používejte pouze disky nebo archy s brusným materiálem, které jsou řádně uchyceny k podpůrné destičce dodávané s pneumatickou bruskou. Zajistěte, aby samoúchytné brusné disky byly nasazeny soustředně.

Provozní rizika

- Osoby provádějící obsluhu a údržbu musí být fyzicky schopné manipulovat s objemným, těžkým a výkonným nářadím.
- Držte nářadí správně: mějte připraveny obě ruce na zvládnutí normálních i náhlých pohybů působících v opačném směru rotace.
- Pokud se dotknete brousící destičky, abraziva nebo pracovního povrchu, může dojít k pořežání, přiskřípnutí nebo popálení. Zabraňte dotyku a používejte k ochraně rukou vhodné pracovní rukavice.
- Před každým použitím zkontrolujte podpůrnou destičku. Nepoužívejte ji, pokud je prasklá nebo rozbitá, nebo pokud upadla na zem či jiný povrch.
- Nástroj nikdy nespouštějte, dokud není brusný materiál přiložen k obrobku.
- Při použití nástroje na plastických nebo jiných nevodivých materiálech existuje riziko vzniku elektrostatického výboje.
- Při používání nástroje, který je zkonstruován pro používání s krytem, musí být tento kryt nasazen, aby zajistil ochranu před třískami z broušení nebo dalšími poleťujícími částicemi.

Rizika spojená s opakovaným pohybem

- Při používání mechanického nářadí k provádění pracovních činností může operátor pociťovat mírnou bolest v oblasti rukou, paží, ramen, krku nebo i v jiných částech těla.
- Při práci stůjte v pohodlné poloze a pevně na zemi a vyvarujte se jakýchkoliv nepříjemných či nejistých a nevyvážených poloh. Pravidelné změny polohy těla během delších pracovních činností mohou pomoci zabránit vzniku bolesti či nadměrné únavy.
- Nepodceňujte příznaky, jako je například trvalá nebo vracející se mírná či silnější bolest, pulzující bolest, brnění, necitlivost, palčivé pocity nebo ztuhlost. Přestaňte nářadí používat, informujte svého zaměstnavatele a poraďte se s lékařem.

Rizika spojená s hlukem a vibracemi

- Vysoké úrovně hluku mohou způsobit trvalou ztrátu sluchu nebo jiné zdravotní problémy, jako je například hučení v uších. Používejte ochranu sluchu doporučenou vašim zaměstnavatelem nebo předepsanou podle předpisů týkajících se bezpečnosti a ochrany zdraví při práci.
- Působení vibrací může způsobit poškození nervů a narušit přívod krve do rukou a paží. Noste teplý oděv a udržujte své ruce v teple a suchu. Když se projeví strnulost, brnění, bolest nebo zbledání kůže, přestaňte nářadí používat, informujte svého zaměstnavatele a poraďte se s lékařem.
- Držte nářadí lehkým, ale současně pevným úchopem, protože riziko nepříznivého působení vibrací je s vyšší silou úchopu obecně vyšší. Kde je to možné, použijte k držení váhy nástroje vyvažovací zařízení.

- Za účelem předcházení zbytečnému zvyšování úrovní hluku a vibrací:

- Nástroj používejte a provádějte jeho údržbu, a vybírejte, vyměňujte a provádějte údržbu jeho příslušenství a spotřebního materiálu v souladu s pokyny uvedenými v tomto návodu k obsluze;
- Používejte tlumicí materiály, abyste zabránili „kmitání“ obrobku.

Rizika na pracovišti

- Uklouznutí, zakopnutí nebo pád jsou hlavními příčinami vážných nebo smrtelných poranění. Dávejte pozor na nadměrné množství hadic ponechaných na podlaze nebo na pracovní ploše.
- Vyhněte se vdechování prachu či výparů i manipulaci s nečistotami z pracovního procesu, které mohou způsobovat zdravotní potíže (například rakovinu, poruchy při narození, astma nebo dermatitidu). Při práci s materiály, které způsobují uvolňování částic do vzduchu, používejte zařízení na odsávání prachu a noste ochranné dýchací pomůcky.
- Prach vznikající při motorovém vyhlazování, řezání, broušení, vrtání a jiných stavebních činnostech může obsahovat chemické látky, o kterých je ve státu Kalifornie známo, že způsobují rakovinu a poruchy při narození nebo jiná poškození reprodukčního ústrojí. Některé příklady takových chemických látek jsou tyto:
 - olovo z olovnatých barev;
 - cihly z krystalického křemene, cement a další stavební materiály pro zdiva;
 - arsen a chrom z chemicky upravené pryže.

Vaše riziko vyplývající z vystavení se působení těchto látek se liší podle toho, jak často provádíte takový typ práce. Abyste omezili své vystavení se působení těchto chemických látek: pracujte v dobře větraných prostorách a používejte schválené bezpečnostní ochranné pomůcky, jako jsou například masky proti prachu, které jsou speciálně zkonstruované k odfiltrování mikroskopických částic.

- V neznámém pracovním prostředí si počínejte opatrně. Mohou se v něm vyskytovat skrytá rizika, jako jsou například elektrická nebo jiná vedení.
- Prach a výpary vznikající při vyhlazování nebo broušení mohou vytvořit potenciálně výbušné prostředí. Používejte systém pro odsávání nebo potlačování prachu, který je vhodný pro zpracováváný materiál.
- Tento nástroj není určen k práci v potenciálně výbušných atmosférách a není izolován pro případ kontaktu se zdroji elektrického proudu.

Pokyny specifické pro produkt

Obecná bezpečnost při provozu

Před zahájením práce

1. Kontrola volnoběžných otáček
 - Otáčky naměřené při tlaku 6,3 baru nesmějí překročit jmenovitou hodnotu otáček uvedenou na brusce.
 - Před kontrolou volnoběžných otáček sejměte opěrnou podložku a vnější přírubovou spojku.
 - Kontroly provádějte denně, zejména po dlouhých obdobích, kdy nástroj není používán.
 - Zajistěte, aby označení otáček na nástroji bylo čitelné.
 - V případě překračování maximálních otáček vraťte nástroj k opravě.
2. Kontrola spouštěcího tlačítka
 - Zkontrolujte, zda spouštěcí tlačítko funguje správně.
 - Pokud spouštěcí tlačítko nefunguje správně, vyměňte ho.
 - Nikdy nevyjímejte spouštěcí tlačítko ani ho neza-
jišťujte přelepením páskou.
3. Kontrola maximálních otáček
 - Ujistěte se, že uvedená hodnota maximálních otáček opěrné podložky a archu s brusným materiálem je vyšší nebo rovna hodnotě otáček vyznačené na brusce.
4. Kontrola opěrné podložky
 - Zkontrolujte, zda opěrná podložka není prasklá ani jakýmkoliv způsobem poškozená.
 - Ujistěte se, že opěrná podložka má správné rozměry otvoru a je správně nasazena na vřetenou, aby nedocházelo k vibracím v důsledku nevyváženosti.
 - Poškozenou opěrnou podložku okamžitě vyjměte a nahraďte novou.
5. Kontrola příruby a opěrné podložky
 - Při výměně opěrné podložky či archu s brusným materiálem nebo při nastavování nástroje vždy odpojte přívod vzduchu.
 - Ujistěte se, zda kombinace přírubových spojek a podložek odpovídají státním předpisům.
 - Ujistěte se, že příruba je čistá a že není poškozená.
 - Připojte přírubovou spojku doporučeným utahovacím momentem.
 - Po nasazení opěrné podložky odzkoušejte chod brusky na chráněném místě.
 - Zkontrolujte, zda bruska funguje správně.

6. Osobní ochranné prostředky:

Zajistěte, aby pracovníci používali následující prostředky:

- ochrana zraku, pracovní brýle nebo obličejový kryt;
- ochrana sluchu;
- pracovní rukavice;
- pracovní obuv s ocelovou špičkou;
- ochranný oděv, například kožená zástěra;
- helma (při náročnějších aplikacích).
- Nošení volného oděvu, šperků a volně rozpuštěných vlasů je zakázáno (hrozí riziko zachycení).

7. Pracoviště

Zajistěte, aby přímo na pracovní ploše nebyli jiní lidé, protože jim hrozí riziko úrazu.

- Lidé v blízkém okolí musejí rovněž používat ochranu sluchu a zraku.
- Ujistěte se, že v areálu je zajištěno dostatečné odvětrávání a odsávání prachu.
- Zajistěte, aby bylo k dispozici stanoviště nebo místo pro bezpečné umístění nástroje.
- Pracujte na oddělené ploše, pokud možno s ochrannými stěnami. Existuje riziko, že poškozené opěrné podložky odlétávají.

Během práce

Pokud během práce uslyšíte neobvyklý hluk nebo pocítíte vibrace, okamžitě nástroj zastavte.

Tento nástroj a jeho příslušenství je zakázáno jakýmkoliv způsobem upravovat.

Provoz

Instalace/provoz

Viz Schéma 3.

1. Vždy se ujistěte, že je stroj odpojen od zdroje energie, aby nedošlo k náhodnému spuštění.
2. Připevněte příslušenství správně ke stroji. Pro podporu při výměně příslušenství použijte vřetenový zámek (1).
3. Připojte zařízení k vyčištění a vysušení přívodu vzduchu.
4. Nastavte regulátor tlaku vzduchu, aby v nástroji byl tlak 6,3 baru.
5. Použijte přimazávač vzduchu s olejem SAE č.10 nastavený na dvě kapky za minutu.
6. Pro spuštění stroje odblokujte a stiskněte bezpečnostní páku (2). Pro zastavení uvolněte bezpečnostní páku.

Otáčení rukojeti

Viz Schéma 4.

1. Vždy se ujistěte, že je stroj odpojen od zdroje energie, aby nedošlo k náhodnému spuštění.
2. Sejměte rukojeť (1).
3. Vyšroubujte šroub (2).

4. Otočte držák (3) do požadované polohy.
5. Utáhněte šroub (2).
6. Nainstalujte rukojeť (1).

Po skončení práce

⚠ VÝSTRAHA Doba zastavení může být delší než 5 sekund.

- ▶ Před odložením nástroje se ujistěte, zda je nástroj vypnut a došlo k jeho úplnému zastavení.
- ▶ Doba zastavení závisí na použitém brusném materiálu.

Opatrně nástroj položte, abyste se ujistili, že se nástroj sám/sama nerozběhne.

Servis a údržba

Pokyny týkající se údržby

- Při bezpečné manipulaci a likvidaci všech součástí dodržujte předpisy o ochraně životního prostředí platné v dané zemi.
- Údržbu a opravy musí provádět kvalifikovaný pracovník, který smí používat výhradně originální náhradní díly. Když potřebujete rady týkající se technických služeb nebo vyžadujete náhradní díly, kontaktujte výrobce nebo nejbližšího autorizovaného prodejce.
- Vždy se ujistěte, že je stroj odpojen od zdroje energie, aby nedošlo k náhodnému spuštění.
- Když se nářadí používá denně, po každých 3 měsících (500 hodinách) jej rozmontujte a zkontrolujte. Vadné nebo opotřebované díly vyměňte.
- Aby se odstávka zkrátila na minimum, doporučujeme následující servisní sadu: **Seřizovací sada**

Likvidace

- Při likvidaci tohoto zařízení je nutno dodržovat právní předpisy příslušné země.
- Veškerá poškozená, silně opotřebovaná nebo nesprávně fungující zařízení **MUSÍ BÝT VYŘAZENA Z PROVOZU**.

Užitečné informace

Bezpečnostní list

Bezpečnostní listy popisují chemické produkty, které prodává společnost Chicago Pneumatic.

Více informací získáte na webových stránkách společnosti Chicago Pneumatic na adrese qr.cp.com/sds.

Země původu

Hungary

Webová stránka

Informace týkající se našich produktů, příslušenství, náhradních dílů a publikovaných dokumentů naleznete na webových stránkách společnosti Chicago Pneumatic.

Navštivte: www.cp.com.

Copyright

© Copyright 2023, CHICAGO PNEUMATIC Tool Co.LLC, 1815 Clubhouse Road, Rock Hill, SC 29730 - USA

Všechna práva vyhrazena. Veškeré neschválené použití a kopírování obsahu nebo jeho částí je zakázáno. To platí zejména o obchodních známkách, označeních modelu, číslech součástek a výkresech. Používejte pouze schválené náhradní díly. Na škody nebo nesprávnou funkci, způsobené použitím neschválených náhradních dílů, se nevztahuje ani záruka, ani odpovědnost za produkt.

Műszaki adatok

Szerszám adatai

Modellek	Alapjáratí fordulatszám (rpm)	Súly (kg)	Tömeg (font)
CP3650-120AB	12000	1.8	4
CP3650-120AA	12000	1.8	4
CP3650-085AB	8500	1.8	4
CP3650-085AA	8500	1.8	4
CP3650-075AB	7500	1.8	4

Maximális üzemi nyomás

6.3 bar / 90 psig

Nyilatkozatok

EU megfeleléségi nyilatkozat

Mi, az CHICAGO PNEUMATIC Tool Co.LLC, 1815 Clubhouse Road, Rock Hill, SC 29730 - USA, kizárólagos felelősségünk tudatában kijelentjük, hogy a termék (a típust és termékszámot lásd az első oldalon) megfelel a következő irányelv(ek)nek:

2006/42/EC (17/05/2006)

Alkalmazott harmonizált szabványok:

EN ISO 11148-8:2011

A hatóságok kérhetik a vonatkozó műszaki információkat:

Pascal Roussy, R&D Manager, Ets Georges Renault, 38 rue Bobby Sands, BP10273 44818 Saint Herblain, France

Saint-Herblain, 2023/06/05

Pascal ROUSSY



Aláírás

Nyilatkozat zaj- és rezgés kibocsátásról

Zajsztint – ISO 15744

Modell	L _{pA} dB(A)	LWA dB(A)
CP3650-120AB	93	104
CP3650-120AA	93	104
CP3650-085AB	93	104
CP3650-085AA	93	104
CP3650-075AB	90	101

L_{pA} dB(A): hangnyomásszint

LWA dB(A): hangteljesítményszint

K / K_{pA} = KWA = 3 dB: bizonytalanság

Rezgésszint – ISO 28927-2

Modell	Rezgés (m/s ²)
CP3650-120AB	2.6
CP3650-120AA	2.6
CP3650-085AB	2.3
CP3650-085AA	2.3
CP3650-075AB	2

Ezen kinyilatkoztatott értékeket laboratóriumi típusvizsgálattal nyertük a megjelölt szabványokkal összhangban, és ezen értékek alkalmasak az összehasonlításra az egyéb olyan szerszámok kinyilatkoztatott értékeivel, amelyeket ugyanazon szabványok szerint vizsgáltak. Ezen kinyilatkoztatott értékek nem alkalmasak kockázatfelmérések céljaira, az egyedi munkahelyeken mért értékek magasabbak lehetnek. A tényleges terhelési értékek és az adott használatú erő sérülési kockázat egyedi mértékű, és függ attól, hogy a használó hogyan dolgozik, továbbá függ a munkadarabtól, a munkaállomás tervezésétől, valamint az igénybevételnek való kitettség időtartamától és a használó fizikai állapotától.

A **CHICAGO PNEUMATIC Tool Co.LLC** nem vállal felelősséget a névleges értékek figyelembe vételéhez a valós kitettségi értékekkel szemben olyan egyedi munkahelyi szituációkra vonatkozóan, amelyeknek feltételeit nem áll módunkban befolyásolni.

Ez a szerszám - ha használatát nem megfelelően ütemezik - kéz-kar vibrációs (HAVS) szindrómát okozhat. A kéziszerszámok által okozott rezgésekre vonatkozó EU útmutató a <http://www.pneurop.eu/index.php> helyen, a 'Tools' (Eszközök), majd 'Legislation' (Törvények) menüpont választásával érhető el.

Egészségfelmérési programot ajánlunk az olyan korai tünetek felismerésére, amelyek kapcsolatban állhatnak a rezgési terheléssel, hogy az eljárásokat módosítani lehessen a helyzet további romlásának megakadályozására.

- i** A berendezést rögzítési eljárásokhoz terveztük: A megadott zajkibocsátási szint a gépgyártó tájékoztatására szolgál. A teljes gépberendezés zaj- és rezgés kibocsátási adatait keresse a gép használati útmutatójában.

Regionális követelmények**⚠ FIGYELEM**

A termék különböző vegyi anyagoknak, például ólomnak való kitettséget okozhat, az ólmot pedig Kalifornia állam hatóságai a rákkeltő, születési rendellenességeket vagy más szaporodási ártalmakat okozó anyagok közé soroltak. További tudnivalóért lásd

<https://www.p65warnings.ca.gov/>

Biztonság

NE DOBJA EL – ADJA ÁT A FELHASZNÁLÓNAK!

⚠ FIGYELEM Olvassa el a szerszámra vonatkozó összes biztonsági előírást, útmutatót, illusztrációt és műszaki adatokat.

Az alábbiakban felsorolt utasítások be nem tartása áramütést, tüzet és/vagy súlyos sérülést okozhat.

Mentse el az összes figyelmeztetést és utasítást a későbbi hivatkozáshoz.

⚠ FIGYELEM Minden körülmények között tartsa be a felszerelésekre, üzemeltetésre és karbantartásra vonatkozó, a törvény szerint érvényben lévő helyi biztonsági szabályokat.**Használatra vonatkozó nyilatkozat**

- Kizárólag professzionális felhasználásra.
- A terméket és tartozékait semmilyen módon nem szabad módosítani.
- Ne használja a terméket, ha sérült.
- Ha a termék adatai vagy az előírt sebességre vonatkozó vagy veszélyre figyelmeztető címkék a terméken nem olvashatók vagy leváltak, a lehető leghamarabb tegyen fel újakat.
- A termék üzembe helyezését, üzemeltetését és szervizelését kizárólag szakképzett személy végezheti ipari környezetben.

Rendeltetésszerű használat

E terméket csiszoló vagy polírozó feltételek használatával történő anyagválasztásra vagy polírozásra tervezték. Más jellegű használata nem megengedett.

Általános biztonsági utasítások**i További biztonsági információk a pneumatikus hordozható kéziszerszámokról:**

- CAGI 2528 – B186.1, PNEUMATIKUS HORDOZHATÓ KÉZISZERSZÁMOK BIZTONSÁGI ELŐÍRÁSAI, elérhető a „Global Engineering Documents” honlapról (<https://global.ihs.com/>), vagy hívja az +1 800 447-2273-as telefonszámot. Ha problémát okozna az ANSI-szabványok beszerzése, lépjen kapcsolatba az ANSI-val a <https://www.ansi.org/> honlapon.

Levegőellátó rendszerrel és csatlakozásokkal kapcsolatos veszélyek

- A nyomás alatt lévő levegő súlyos sérüléseket okozhat.
- Ha a szerszám nincs használatban, bármilyen termékbeállítás művelet, például tartozékok cseréje vagy javítások előtt zárja el a levegőadagolást, ürítse ki a tömlőt és válassza le az eszközt a levegővezetékéről.
- Soha ne irányítsa a levegőt önmaga vagy más személyek felé
- A nyomás alatt lévő lengő tömlők komoly sérüléseket okozhatnak. Mindig ellenőrizze, hogy a tömlők és csatlakozások ne legyenek hibásak vagy meglazulva.
- Ne használjon gyorscsatlakozási szerkezeteket a szerszámmal. Vegye figyelembe a helyes összeállításra vonatkozó utasításokat.
- Amennyiben általános szorítófogókat használ, rögzítőszegeket kell felszerelni.
- Ne lépje túl a 6,3 bar / 90 psi értékű – vagy az adattáblán feltüntetett – maximális levegőnyomást.

Ujjvédő ellenőrzése (opcionális jellemző, lásd a pótalkatrészek listáját)

- Használja a javasolt ujjvédőt, és győződjön meg róla, hogy nem sérült.
- Az ujjvédőt a keze és a csiszolóblokk közé helyezze.
- Ellenőrizze, hogy az ujjvédő megfelelően van-e rögzítve.

Beakadási veszélyek

- Ne menjen a mozgó csiszolópárna közelébe! Ne feledje, hogy a csiszolótárcsa az indítószelep záródása után is járni fog; a kétfunkciós csiszolóknál akár több másodperc is eltelhet, amíg a csiszolókorong leáll.
- Laza ruházat, kesztyűk, ékszerek, nyaklánc vagy hajdísz viselése esetén fulladásveszély állhat be, vagy a szerszám becsípheti a hajat és a bőrt.

Repülő részek miatti veszély

- A tartozék vagy a munkafelület meghibásodása során nagy sebességű repülő részek keletkezhetnek. Még kisebb repülő részek is megsérthetik a szemet, és vakságot okozhatnak.
- Mindig viseljen ütésálló szem- és arcvédőt az eszköz használata közben, illetve a működő eszköz közelében, valamint javítás, karbantartás vagy alkatrészcsere közben.
- Ügyeljen, hogy az eszköz környezetében mindenki viseljen ütésálló szem- és arcvédőt.
- Naponta tachométerrel mérje le a csiszoló vagy polírozó szerszám fordulatszámát, hogy nem nagyobb-e, mint a támasztókorongon, dobon vagy csiszoló anyagon szereplő névleges fordulatszám-érték.
- A támasztókorongot / csiszolólapot szorosan a csiszolóhoz kell rögzíteni a megfelelő szerszámmal.
- Rögzítse biztonságosan a munkadarabot.

A tartozékokkal kapcsolatos veszélyek

- Tartozékcsere alkalmával mindig zárja el a levegőellátást, engedje ki a nyomást a tömlőből és válassza le a szerszámot a levegőellátásról!

- Csak ajánlott méretű és típusú csiszolókorongokat használjon.
- Soha ne használjon a pneumatikus csiszológép fordulatszámánál kisebb megengedett fordulatszámú támasztókorongot, dobot vagy csiszoló anyagot!
- Kösörűtárcsát vagy leszúrókorongot soha ne rögzítsen csiszológépre! A szétrobbanó csiszolókorong vagy más tartozék súlyos sérülést vagy halált okozhat, ha nincs hozzá megfelelő védőburkolat.
- Csak bevonatos csiszolótárcsákat vagy a pneumatikus csiszológéphez adott támasztókorongra megfelelően rögzített csiszolólapokat használjon! Ügyeljen rá, hogy az öntapadó csiszolótárcsák koncentrikusan legyenek rögzítve!

Veszélyek működés közben

- A kezelőnek és a karbantartónak képesnek kell lennie a szerszám kezelésére, tekintetbe véve annak méreteit, súlyát és teljesítményét.
- Tartsa a berendezést megfelelően: készüljön fel a normál és hirtelen mozdulatok kezelésére – mindkét kezét tartsa szabadon.
- Ha hozzáér a csiszolólaphoz vagy koronghoz, vagy a munkafelülethez, megégetheti vagy megvághatja magát. Kerülje az érintkezést és viseljen megfelelő védőkesztyűt.
- Minden használat előtt ellenőrizze a támasztókorongot! Ne használja, ha repedt, törött vagy leesett.
- A szerszámot csak akkor használja, ha a csiszolóanyagot ráhelyezte a munkadarabra!
- Műanyag vagy más nem vezető anyagokon történő használat során fennáll az elektromos kisülés veszélye.
- Ha olyan szerszámot használ, amelyet védőburkolattal láttak el, akkor a burkolatot fel kell helyezni a csiszolóforgács vagy egyéb részecskék elleni védelem érdekében.

Ismétlődő mozgással kapcsolatos veszélyek

- Amikor elektromos szerszámgéppel végez munkát, a gépkezelő kényelmetlenséget érezhet karjában, kezén, vállain, nyakán vagy egyéb testrészein.
- Munka közben lehetőleg kényelmes pozíciót vegyen fel, biztos lábtartással, elkerülve a kényelmetlen vagy nem egyensúlyban lévő testhelyzetet. A hosszabb munkák közben változtasson testtartásán, mert így kevésbé fárad.
- Ne hagyja figyelmen kívül a különböző tüneteket, például a visszatérő kényelmetlenség érzetet, fájdalmat, lüktető fájdalmat, sajgó fájdalmat, zsibbadást. Ilyen tünetek esetén állítsa le a gépet, jelentse munkáltatójának és forduljon orvoshoz.

Zajjal és vibrációval kapcsolatos veszélyek

- A nagy zajszint tartós halláskárosodást és egyéb problémákat – például fülzúgást – okozhat. Használjon zajvédelmi eszközöket a munkáltató előírásai, illetve a munkaegészségügyi vagy munkabiztonsági előírások szerint.
- A vibrációnak való kitettség a kezek és a karok vérellátását, valamint az idegszálfunkciókat akadályozhatja. Viseljen meleg ruházatot és kezeit tartsa melegen és szárazon. Hagyja abba a szerszám használatát és forduljon orvoshoz, ha zsibbadás, viszketés, fájdalom vagy a bőr elfehéredése lép fel!

- A szerszámot ne szorítsa, de biztosan tartsa, mivel a vibrációs kockázat általában nagyobb, ha a szerszámot szorítja. Ha lehetséges, tartsa meg a szerszám tömegét egy emelővel.
- A zaj és vibráció szűkségtelen növekedésének megelőzése érdekében:
 - A szerszámot és annak tartozékait, fogyóeszközeit a használati útmutatónak megfelelően üzemeltesse, tartsa karban, válassza ki és cserélje;
 - Hangtompító anyagokkal megelőzhető a munkadarab "csengése."

Munkavégzési óvintézkedések

- A megcsúszás, megbotlás és elesés a súlyos sérülés vagy halál fő oka. Ügyeljen a közlekedő és munkaterületeken levő felesleges tömlőszakaszokra!
- Ne lélegezze be a port és ne érintse meg a munkafolyamatból származó olyan törmelék, amely káros lehet egészségére (pl. rákot okozhat, szülési rendellenességekhez vezethet vagy asztmát és/vagy dermatitist okozhat). Ha olyan anyagokkal dolgozik, amelyek légi úton terjedő részecskéket produkálnak, használjon porelszívást és viseljen légzőkészüléket.
- A szerszámgéppel végzett csiszolás, vágás, simítás, fúrás vagy más építkezési tevékenységek során keletkező por olyan kémiai anyagokat tartalmaz, melyeket Kalifornia állam hatóságai a rákkeltő, születési rendellenességeket vagy más szaporodási ártalmakat okozó anyagok közé soroltak. Ilyen kémiai anyagokra például a következők:
 - Ólom az ólomtartalmú festékekből
 - Kristályos szilíciumdioxid téglából, cementből és más építőanyagokból
 - A gumi kémiai kezeléséből származó arzén és króm

Az ilyen kockázatoknak való kitettség attól függően változik, hogy milyen gyakran végez ilyen típusú munkát. A vegyi anyagoknak való kitettség kockázatának csökkentése érdekében: dolgozzon jól szellőztetett környezetben és használjon jóváhagyott biztonsági védőkészülékeket, mint például kifejezetten a mikroszkopikus részecskék szűrésére kidolgozott porvédő maszkok.
- Ismeretlen környezetben óvatosan mozogjon. Rejtett veszélyforrások lehetnek, például villamos vagy egyéb vezetékek.
- A csiszolásból vagy köszörülésből eredő porok és gázok, füstök potenciálisan robbanásveszélyes keveréket alkothatnak. Használjon a feldolgozott anyagnak megfelelő porelszívó vagy elnyomó rendszert!
- Nem ajánlott az eszköz használata potenciálisan robbanásveszélyes környezetben, és nem nyújt védelmet elektromos vezetékek érintéséből fakadó áramütéssel szemben.

Termékspecifikus utasítások

Általános információk a biztonságos működtetésről

A munka megkezdése előtt

1. Terhelés nélküli fordulatszám ellenőrzése
 - A 6,3 bar-os (90 PSIG) nyomáson mért fordulatszám nem haladhatja meg a csiszolón feltüntetett névleges fordulatszámot.
 - Az üresjárás fordulatszám ellenőrzése előtt szerelje le a támasztókorongot és a külső illesztőperemet.
 - Naponta, és különösen hosszú használati szünet után, ellenőrizze a terhelés nélküli fordulatszámot.
 - Ellenőrizze, hogy olvasható-e a szerszámon a fordulatszám jelzése.
 - Túlgyorsulás esetén küldje vissza javításra a szerszámot.
2. Indítókapcsoló ellenőrzése
 - Győződjön meg arról, hogy az indítókapcsoló megfelelően működik.
 - Ha az indítókapcsoló nem működik megfelelően, cserélje le.
 - Soha ne szerelje le és ne rögzítse ragasztószalaggal az indítókapcsolót.
3. Maximális fordulatszám ellenőrzése
 - Ellenőrizze, hogy támasztókorongon és a csiszolólapon feltüntetett maximális fordulatszám nagyobb vagy egyenlő-e a csiszológépen megadott fordulatszámmal.
4. Támasztókorong ellenőrzése
 - Vizsgálja meg a támasztókorongot, hogy nincs-e rajta repedés vagy sérülés.
 - A támasztókorongnak megfelelő lyukméretűnek kell lennie, és illeszkednie kell az orsóra a kiegyensúlyozatlanságból eredő vibráció elkerülése érdekében.
 - A hibás támasztókorongot haladéktalanul távolítsa el és cserélje le.
5. Illesztőperem és támasztókorong ellenőrzése
 - A támasztókorong, illetve a csiszolókorong cseréje vagy a szerszám beállítás előtt mindig válassza le a levegőellátást.
 - Ellenőrizze, hogy az illesztőperem és csiszolókorong kombinációja megfelel-e az országos előírásoknak.
 - Vizsgálja meg az illesztőperemet, hogy nincs-e rajta repedés vagy sérülés.
 - A javasolt meghúzónyomatékkal illessze fel a peremet.
 - A korong felszerelése után egy megfelelően védett helyen végezzen próbaüzemeltést a csiszolóval.
 - Győződjön meg arról, hogy a csiszoló megfelelően működik.

6. Személyi védőfelszerelés:

A gépkezelőnek a következőket kell viselnie:

- Szemvédő eszköz, védőszemüveg vagy védőmaszk
- Fülvédő
- Kesztyű
- Acélorrú bakancs
- Védőruha, például bőrkötény.
- Sisak (a nehezebb műveletekhez)
- Kerülje a szabadon lebegő ruházatot, haját, ékszert (beakadás veszélye).

7. Munkaterület

A sérülések elkerülése érdekében ne engedjen kívülálló személyeket a munkaterület közelében tartózkodni.

- A közelben tartózkodó személyeknek is fül- és szemvédőt kell viselniük.
- Győződjön meg arról, hogy a helyiségben megfelelő a porelszívás és a szellőzés.
- Biztosítson egy állványt a szerszám biztonságos tárolására.
- A munkát elszigetelt környezetben, lehetőség szerint védőfalak között végezze. Levegőben szálló leszakadt sérült korongok okozta sérülések veszélye áll fenn.

Munka közben

Hagyja abba a szerszám használatát, ha szokatlanul nagy zaj vagy vibráció észlelhető a használat közben.

Ezt a szerszámot semmilyen módon sem szabad megváltoztatni.

Működtetés

Telepítés / működtetés

Lásd a 3. ábrát.

1. A véletlen bekapcsolás elkerülése érdekében mindig győződjön meg arról, hogy a gép le van választva az áramforrásról.
2. Rögzítse megfelelően a tartozékokat a géphez. A tartozékok cseréjéhez használja az orsózárat (1).
3. A készüléket tiszta és száraz levegőellátáshoz csatlakoztassa.
4. A légnyomás-szabályozón 6,3 bar (90 PSIG) nyomást állítson be a szerszámhoz.
5. Használjon légvezetékkenőt SAE #10 típusú olajjal, percnkénti két cseppeles beállítással.
6. A gép elindításához oldja ki és nyomja le a biztonsági kart (2). A leállításhoz engedje el a biztonsági kart.

A fogantyú elforgatása

Lásd a 4. ábrát.

1. A véletlen bekapcsolás elkerülése érdekében mindig győződjön meg arról, hogy a gép le van választva az áramforrásról.

2. Távolítsa el a fogantyút (1).
3. Távolítsa el a csavart (2).
4. Forgassa el a konzolt (3) a kívánt helyzetbe.
5. Húzza meg a csavart (2).
6. Helyezze vissza a fogantyút (1).

A munka befejezése után

⚠ FIGYELEM A leállási idő 5 másodpercnél tovább tarthat.

- ▶ Mielőtt letenné a szerszámot, győződjön meg arról, hogy kikapcsolta, és teljesen leállt.
- ▶ A leálláshoz szükséges idő a használt csiszolótól függ.

Óvatosan tegye le a szerszámot, úgy, hogy az ne indulhasson be magától.

Szervizelés és karbantartás

Karbantartási útmutató

- A biztonságos kezelés és ártalmatlanítás érdekében valamennyi részegység esetében tartsa be az adott ország környezetvédelmi rendelkezéseit.
- A karbantartási és javítási munkákat kizárólag szakképzett személyek végezhetik eredeti cserealkatrésszel. Műszaki segítségért vagy cserealkatrész-igény esetén forduljon a gyártóhoz vagy a legközelebbi forgalmazóhoz.
- A véletlen bekapcsolás elkerülése érdekében mindig győződjön meg arról, hogy a gép le van választva az áramforrásról.
- Napi használat esetén 3 havonta (500 óránként) szerelje szét és ellenőrizze a szerszámot. Cserélje ki a sérült vagy kopott alkatrészeket.
- Az állásidő minimalizálása érdekében a következő szervizkészlet használata ajánlott: **Teljesítménynövelő készlet**

Hulladékkénti elhelyezés

- A készülék hulladékba helyezését az adott ország törvényeinek megfelelően kell végezni.
- Minden sérült, elhasználódott vagy nem megfelelően működő eszközt **KI KELL VONNI A HASZNÁLATBÓL.**

Hasznos információk

Biztonsági adatlap

A Chicago Pneumatic által értékesített kémiai termékeket a biztonsági adatlapok írják le.

További információkért, kérjük, tekintse meg a Chicago Pneumatic honlapját: qr.cp.com/sds.

Származási ország

Hungary

Weboldal

A termékekre, a tartozékokra és a cserealkatrészekre, valamint a kiadványainkra vonatkozó információk a(z) Chicago Pneumatic weboldalán található.

Látogasson el a következő címre: www.cp.com.

Copyright

© Szerzői jog 2023, CHICAGO PNEUMATIC Tool Co.LLC, 1815 Clubhouse Road, Rock Hill, SC 29730 - USA

Minden jog fenntartva. A tartalom vagy annak bármely részének jogosulatlan használata vagy másolása tilos. Ez különösképpen vonatkozik a védjegyekre, a modellek megnevezéseire, az alkatrészszámokra és a rajzokra. Kizárólag engedélyezett alkatrészeket használjon. A nem engedélyezett alkatrészek használatából eredő bármilyen meghibásodásra vagy károsodásra a Jótállás és Termékfelelősség feltételei nem vonatkoznak.

Tehnični podatki

Podatki o orodju

Modeli	Prosta hitrost	Teža (kg)	Teža (funti)
CP3650-120AB	12000	1.8	4
CP3650-120AA	12000	1.8	4
CP3650-085AB	8500	1.8	4
CP3650-085AA	8500	1.8	4
CP3650-075AB	7500	1.8	4

Največji delovni tlak

6.3 bar / 90 psig

Izjave

Izjava EU o skladnosti

V družbi CHICAGO PNEUMATIC Tool Co.LLC, 1815 Clubhouse Road, Rock Hill, SC 29730 - USA, na izključno lastno odgovornost izjavljamo, da je izdelek (z imenom, tipom in serijsko številko z naslovnice) skladen z naslednjimi direktivami:

2006/42/EC (17/05/2006)

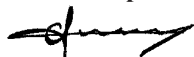
Uporabljeni usklajeni standardi:

EN ISO 11148-8:2011

Pristojni organ lahko zaprosi za pridobitev potrebnih tehničnih podatkov pri:
Pascal Roussy, R&D Manager, Ets Georges Renault, 38 rue Bobby Sands, BP10273 44818 Saint Herblain, France

Saint-Herblain, 2023/06/05

Pascal ROUSSY

Podpis




Deklaracija o hrupu in vibracijah

Raven hrupa - ISO 15744

Model	L _p A dB(A)	LWA dB(A)
CP3650-120AB	93	104
CP3650-120AA	93	104
CP3650-085AB	93	104
CP3650-085AA	93	104
CP3650-075AB	90	101

L_pA dB(A): raven zvočnega tlaka

LWA dB(A): raven zvočne moči

K / K_pA = KWA = 3 dB: negotovost

Raven vibracij - ISO 28927-2

Model	Vibracije (m/s ²)
CP3650-120AB	2.6
CP3650-120AA	2.6
CP3650-085AB	2.3
CP3650-085AA	2.3
CP3650-075AB	2

Te deklarirane vrednosti so bile pridobljene z laboratorijskimi preskusi tipa, opravljenimi v skladu z navedenimi standardi, in so primerljive z deklariranimi vrednostmi drugih orodij, testiranih v skladu z istimi standardi. Te deklarirane vrednosti niso primerne za uporabo pri oceni tveganj. Vrednosti, izmerjene na posameznem delovnem mestu, so lahko tudi višje. Dejanske vrednosti izpostavljenosti in tveganja za posameznega uporabnika so edinstvena in odvisna od načina dela uporabnika, obdelovanca in ureditve delovne postaje, ter tudi od časa izpostavljenosti in fizične pripravljenosti uporabnika.

Družba CHICAGO PNEUMATIC Tool Co.LLC ne more odgovarjati za posledice uporabe navedenih vrednosti namesto vrednosti, ki odražajo dejansko izpostavljenost pri individualni oceni tveganja na delovnem mestu, nad katerim ta družba nima nobenega nadzora.

Če uporabe tega orodja ne vodite na ustrezen način, lahko povzroči sindrom vibracij v rokah in zgornjih udih. EU navodila za vodenje vibracij roke lahko najdete, če dostopite do <http://www.pneurop.eu/index.php> in izberete "Tools" (orodja) nato pa še "Legislation" (zakonodaja).

Priporočamo program zdravstvenega nadzora za zgodnje odkrivanje simptomov, povezanih z izpostavljenostjo vibracijam, da se lahko z ustreznimi organizacijskimi ukrepi preprečijo nadaljnje poškodbe.

- ⓘ Če je ta oprema namenjena za pritrditev na stroj: Emisija hrupa je podana kot vodilo proizvajalcu stroja. Podatki o emisiji hrupa in tresljajev za celoten stroj morajo biti navedeni v priložniku z navodili za uporabo stroja.

lokalne zahteve

⚠ OPOZORILO

Ta izdelek vas lahko izpostavi kanikalijam, vključno s svincem, ki po vedenju države Kalifornije povzroča raka in okvare ob rojstvu oz. druge reproduktivne težave. Za več informacij obiščite

<https://www.p65warnings.ca.gov/>

Varnost

NE ZAVRZITE – POSREDUJTE UPORABNIKU

⚠ OPOZORILO Preberite vsa varnostna opozorila, navodila, ilustracije in specifikacije, ki jih prejmete z električnim orodjem.

Če navodil, ki so navedena spodaj, ne upoštevate, lahko pride do električnega udara, požara in/ali hudih poškodb.

Vsa opozorila in navodila shranite za prihodnjo uporabo.

⚠ OPOZORILO Vedno je treba upoštevati vsa varnostna pravila za namestitve, uporabo in vzdrževanje, ki so skladna z lokalno zakonodajo.

Izjava o uporabi

- Samo za profesionalno uporabo.
- Tega izdelka in njegovih dodatkov ni dovoljeno spreminjati na noben način.
- Če je izdelek poškodovan, ga ne uporabljajte.
- Če postanejo oznake s podatki o izdelku ali opozorila na nevarnosti, ki so na izdelku, neberljivi ali odpadejo, jih morate takoj zamenjati.
- Izdelek lahko nameščajo, upravljajo in servisirajo samo osebe, usposobljene za tako delo v industrijskem okolju.

Namen uporabe

Ta izdelek je namenjen za odstranjevanje ali poliranje materialov z brusili z oblogo ali z dodatki za poliranje. Druge uporabe niso dovoljene.

Splošna varnostna navodila

ⓘ Dodatne varnostne informacije o prenosnih pnevmatskih orodjih:

- CAGI 2528 - B186.1, VARNOSTNA KODA ZA PRENOSNA PNEVMATSKA ORODJA, na voljo v dokumentaciji Global Engineering na <https://global.ihs.com/> ali po telefonu +1 800 447-2273. V primeru težav pri pridobivanju standardov ANSI se obrnite na ANSI preko spletne strani <https://www.ansi.org/>.

Nevarnosti pri oskrbi z zrakom in njegovi priključitvi

- Zraka nikoli ne usmerjajte proti sebi ali drugi osebi.
- Ko zaključite z delom, preden zamenjate priključke ali pred popravilom vedno zaprite dovod zraka, sprostite pritisk v zračni cevi in orodje odklopite od dovoda zraka.
- Zraka nikoli ne usmerjajte proti sebi ali drugi osebi.

- Gibke cevi lahko povzročijo resne poškodbe. Vedno preglejte, ali so oprema in cevi poškodovane oziroma slabo pritrjene.
- Na orodju ne uporabljajte hitrih spoj. Za pravilno ureditev si pogledajte navodila.
- Če uporabljate univerzalne vzmetne spojke, morate namestiti varnostne zatiče.
- Ne presežite največjega zračnega pritiska 6,3 bara/90 psig ali kot je navedeno na označevalni tablici orodja.

Preverjanje ščitnika za prste (opcijna možnost, pogledite seznam nadomestnih delov)

- Uporabljajte priporočeni ščitnik prstov ter se prepričajte, da ni poškodovan.
- Ščitnik za prste postavite med svojo roko in brusilno ploščo.
- Prepričajte se, da je ščitnik za prste ustrezno zavarovan.

Nevarnosti zaradi zapletanja

- Ne približujte se premikajoči brusni plošči. Upoštevajte, da bo brusilo po zaprtju zagonskega ventila teklo še naprej; pri brusilnikih z dvojnimi delovanjem lahko to traja več sekund.
- Če ohlapna oblačila, rokavice, nakit, ogrlice in lase približate orodju in dodatkom, lahko pride do dušenja, izpuljenja las in ali ran.

Tveganja izvrženih kosov

- Pri odpovedi pripomočka ali abraziva ali delovnega mesta lahko nastanejo visokohitrostni projektili. Tudi majhen izvržen predmet lahko oči poškoduje in povzroči slepoto.
- Vedno ko delate s tem orodjem, na njem opravljate popravila ali vzdrževanje, menjate priključke ali ste v njegovi bližini, nosite na udarce odporno zaščito za oči in obraz.
- Preverite, ali zaščito za oči in obraz, ki je odporna na izvržene predmete, nosijo vsi okoli vas.
- Vsak dan s tahometrom izmerite hitrost rotacijskega brusilnika ali polirnika in se tako prepričajte, da le-ta ne presega števila obratov na minuto, ki so navedeni na oporni podlogi, bobnu ali brusilu.
- Poskrbite, da boste oporno podlogo/brusilo s priloženimi orodji dobro vpeli v brusilno orodje.
- Poskrbite, da bo obdelovanec dobro pritrjen.

Tveganja pri namestitvi

- Pred zamenjavo priključkov vedno zaprite dovod zraka, sprostite pritisk v zračni cevi in orodje odklopite od dovoda zraka.
- Uporabljajte samo priporočene velikosti in tipe brusil.
- Nikoli ne uporabljajte oporne podloge, bobna ali brusila z dovoljeno hitrostjo, ki je nižja od hitrosti pnevmatičnega brusilnika.
- Na ročni brusilni stroj nikoli ne namestite brusilnega ali rezalnega koluta. Brusilna plošča, ki jo raznese, lahko povzroči zelo hude poškodbe ali smrt, če ni ustrezno zavarovana.

- Uporabljajte samo premazane brusilne plošče ali liste, ki so pravilno nameščeni na oporno podlogo, priloženo brusilnemu stroju. Zagotovite, da bodo samopritrdilne brusilne plošče nameščene koncentrično.

Tveganja pri delu

- Upravljavci morajo biti fizično sposobni upravljati tovor, težo in moč orodja.
- Orodje držite v pravilnem položaju: bodite pripravljene na protiukrepe na običajne ali nenadne premike. Za delo uporabljajte obe roki.
- Ob stiku z brusilno ploščo, brusilom ali delovno površino se lahko urežete, uščipnete ali opečete. Izogibajte se stiku in nosite ustrezne rokavice za zaščito rok.
- Pred vsako uporabo preglejte oporno podlogo. Če je razpokana ali počena ali če je padla na tla, je ne uporabljajte.
- Če na stroju ni nameščenega obdelovanca, stroja ne uporabljajte.
- Če orodje uporabljate za obdelavo plastičnih ali drugih neprevodnih materialov, obstaja nevarnost elektrostatične razelektritve.
- Kadar uporabljate orodje, ki je narejeno za uporabo z varovalom, mora biti le-to nameščeno, da vas bo zaščitilo pred ostružki in drugimi odpadki.

Nevarnosti zaradi ponavljajočih se gibov

- Pri uporabi električnega orodja za izvajanje aktivnosti, povezanih z delom, lahko uporabnik začuti neudobje v rokah, zgornjih udih, ramenih, vratu ali drugih delih telesa.
- Uporabljajte udobno držo in ohranjajte varno oporo ter se izogibajte neudobnim ali neuravnoteženim držam. S spreminjanjem drže med daljšimi opravili lahko preprečite neugodje in utrujenost.
- Ne prezrite simptomov, kot so vztrajno ali ponovljivo neudobje, bolečina, drhtenje, ščemenje, zvenenje, otopelost, občutek žganja ali otrdelost. Prenehajte uporabljati orodje, obvestite delodajalca in se posvetujte z zdravnikom.

Nevarnosti hrupa in vibracij

- Visoke ravni zvoka lahko povzročijo trajno izgubo sluha in druge težave, kot so zvonjenje v ušesih. Uporabljajte zaščito za ušesa, kot jo priporoča delodajalec ali predpisi o poklicnem zdravju in varnosti.
- Izpostavljenost vibracijam lahko poškoduje na živce in prepreči pretok krvi v roke ter zgornje ude. Nosite topla oblačila in roke ohranjajte tople ter suhe. V primeru da pride do otrplosti, ščemenja, bolečin ali beljenja kože, prenehajte uporabljati to orodje, obvestite delodajalca in se posvetujte z zdravnikom.
- Orodje držite sproščeno, a zanesljivo, ker je tveganje zaradi vibracij na splošno večje, če orodje držite močnejše. Kjer je možno, podprite težo orodja z balanserjem.
- Za preprečitev nepotrebne povečanja ravni hrupa in vibracij:
 - orodje upravljajte in vzdržujte, dodatke in potrošni material pa izberite, vzdržujte in menjajte skladno s tem priročnikom z navodili;

- Za preprečevanje »zvonjenja« obdelovancev uporabite blažilne materiale.

Nevarnosti na delovnem mestu

- Zdrsi, spotiki in padci so pogosto vzrok za resne poškodbe ali smrt. Bodite pozorni na dele cevi, ki bi se nahajali na pohodnih ali delovnih površinah.
- Izogibajte se vdihavanju prahu ali hlapov ostankov iz delovnega procesa, ki lahko povzročijo poslabšanje zdravja (na primer raka, dedne okvare, astmo in/ali dermatitis). Kadar delate z materialom, ki ustvarja leteče delce, uporabite sistem za odsesavanje prahu in nosite zaščito za dihalo.
- Mogoče je, da bo prah, ki nastane pri peskanju, žaganju, brušenju, vrtanju ali drugih gradbenih dejavnostih, vseboval kemikalije, za katere je v zvezni državi Kaliforniji znano, da povzročajo raka, prirojene napake ali druge razmnoževalne okvare. Nekateri primeri teh kemikalij so:
 - svinec iz barv na svinčeni osnovi
 - kristalinične kremenove opeke in cement ter drugi zidarski proizvodi
 - arzen in krom s kemijsko obdelane gume

Vaše tveganje pri tej izpostavljenosti je odvisno od tega, kako pogosto opravljate to vrsto dela. Za zmanjšanje izpostavljenosti tovrstnim kemikalijam delajte v dobro zračenih okoljih ter uporabljajte ustrezno zaščitno opremo, kot so protiprašne maske s posebnimi filtri za mikroskopske delce.

- V neznanih okoljih bodite izjemno previdni. Možno je, da obstajajo skrite nevarnosti, na primer električni ali drugi servisni vodi.
- Potencialno eksplozivno okolje lahko nastane zaradi prahu in hlapov, nastalih pri peskanju ali brušenju. Uporabite sistem za odsesavanje prahu ali dušenje, primeren za obdelovani material.
- To orodje ni namenjeni uporabi v prostorih, kjer obstaja možnost eksplozije in ni izolirano proti električnemu toku.

Navodila, specifična za izdelek

Splošna varnost pri delovanju

Pred začetkom dela

1. Preverjanje proste hitrosti
 - Hitrost, izmerjena pri tlaku 6,3 bara (90 PSIG), ne sme preseči nazivne hitrosti, ki je označena na brusilniku.
 - Pred preverjanjem proste hitrosti odstranite oporno podlogo in zunanjo prirobnico.
 - Prosto hitrost preverjajte vsakodnevno, še posebej po dolgem obdobju neuporabe.
 - Poskrbite, da bo oznaka hitrosti na orodju berljiva.
 - V primeru prekomerne hitrosti orodje vrnite v popravilo.

2. Preverjanje sprožilca
 - Preverite, ali sprožilec deluje pravilno.
 - V kolikor sprožilec ne deluje pravilno, ga zamenjajte.
 - Sprožilca nikoli ne odstranite ali zaklenite s trakom.
3. Preverjanje največje hitrosti
 - Poskrbite, da bo navedena največja hitrost oporne podloge in brusilne plošče večja ali enaka hitrosti, ki je navedena na brusilniku.
4. Preverjanje oporne podloge
 - Potrdite, da na oporni podlogi ni razpok oziroma poškodb.
 - Preverite, ali ima oporna podloga odprtino pravih dimenzij in ali je pravilno nameščena na vreteno, da se izognete neuravnoteženim vibracijam.
 - Poškodovano oporno podlogo nemudoma zamenjajte.
5. Preverjanje prirobnice in oporne podloge
 - Pri zamenjavi oporne podloge oziroma brusilne plošče ali pri prilagajanju orodja vedno odklopite dovod zraka.
 - Poskrbite, da kombinacija prirobnice in podloge ustrezata nacionalnim predpisom.
 - Preverite, da je prirobnica čista in nepoškodovana.
 - Prirobnico pritrdite s priporočenim zateznim momentom.
 - Ko sestavite oporno podlogo, izvedite testni tek brusilnika v zaščitenem območju.
 - Preverite, ali brusilnik deluje pravilno.
6. Osebna varovalna oprema:

Zagotovite, da upravljavci uporabljajo:

 - zaščito za oči, očala ali vizir
 - zaščito za ušesa
 - rokavice
 - čevlje z jeklenim vložkom za zaščito prstov
 - zaščitna oblačila, na primer usnjeni predpasnik
 - čelado (za težje aplikacije)
 - Izogibajte se delu z ohlapnimi oblačili, lasmi ali nakitom (tveganje vpotege).
7. Delovno območje

Poskrbite, da v delovnem območju ni drugih ljudi, tako da se ne bodo mogli poškodovati.

 - Ljudje v okolici morajo nositi zaščito za sluh in oči.
 - Prepričajte se, da je v prostorih zadostno prezračenje in odsesavanje prahu.
 - Prepričajte se, da je na voljo stojalo ali prostor, kamor lahko varno postavite orodje.
 - Delajte v ograjenem območju, kjer so po možnosti uporabljene zaščitne stene. Obstaja tveganje, da zlomljene oporne podloge odletijo.

Med delom

Če se med uporabo orodja pojavijo nenormalno glasni zvoki in vibracije, prenehajte z uporabo.

Tega orodja in priključkov ne smete spreminjati.

Delovanje

Namestitev / Delovanje

Glejte shemo 3.

1. Vedno poskrbite, da bo orodje odklopljeno od vira energije, da se izognete nenamernemu zagonu.
2. Nastavke pravilno namestite na stroj. Pri menjavi nastavkov si pomagajte z zaklepom vretena (1).
3. Napravo priključite na čist in suh dovod zraka.
4. Regulator zračnega tlaka nastavite tako, da bo pri orodju znašal 6,3 bara (90 PSIG).
5. Uporabite pripomoček za mazanje linije za zrak z oljem SAE št. 10, nastavljen na dve kapljici na minuto.
6. Za zagon stroja odklenite in pritisnite varnostno ročico (2). Za zaustavitev stroja ročico izpustite.

Sukanje ročice

Glejte shemo 4.

1. Vedno poskrbite, da bo stroj odklopljen z vira energije, s čimer preprečite nenamerno sproženje.
2. Odstranite ročaj (1).
3. Odstranite vijak (2).
4. Okvir (3) zasukajte v zeleni položaj.
5. Privijte vijak (2).
6. Namestite ročaj (1).

Po končanem delu

⚠ OPOZORILO Čas ustavljanja je lahko daljši od 5 sekund.

- ▶ Preden orodje odložite, morate poskrbeti, da bo izklopljeno in popolnoma zaustavljeno.
- ▶ Čas ustavljanja je odvisen od uporabljenega brusila.

Orodje odložite pazljivo, da se ne zažene samo od sebe.

Servisiranje in vzdrževanje

Navodila za vzdrževanje

- **Upoštevajte lokalne okoljske predpise glede varnega rokovanja z orodjem in odlaganja vseh sestavnih delov ob koncu življenjske dobe.**
- Vzdrževanje in popravila lahko izvaja izključno usposobljeno osebje ter z uporabo originalnih nadomestnih delov. Če potrebujete tehnično pomoč ali nadomestne dele, se obrnite na proizvajalca ali najbližjega pooblaščenega prodajalca.
- Vedno poskrbite, da bo stroj odklopljen z vira energije, da se izognete nenamernemu sproženju delovanja.

- Če orodje uporabljate vsak dan, ga morate razstaviti in pregledati vsake 3 mesece (oz. 500 ur). Zamenjajte poškodovane ali obrabljene dele.
- Da bi bil čas nedelovanja čim krajši, se priporoča uporaba naslednjega servisnega kompleta: **Komplet za uravnavanje (Tune-up kit)**

Odstranjevanje

- Pri odlaganju opreme ob koncu življenjske dobe morate upoštevati zakonodajo svoje države.
- Vse poškodovane, močno obrabljene ali nepravilno delujoče naprave **JE TREBA PRENEHATI UPORABLJATI**.

Koristne informacije

Varnostni list

Varnostni listi opisujejo kemične izdelke, ki jih prodaja družba Chicago Pneumatic.

Prosimo, za več informacij pogledajte na spletno stran družbe Chicago Pneumatic - qr.cp.com/sds.

Država izvora

Hungary

Spletno mesto

Informacije o naših izdelkih, dodatni opremi, nadomestnih delih in objavljenih publikacijah lahko najdete na spletni strani Chicago Pneumatic.

Prosimo, obiščite: www.cp.com.

Avtorske pravice

© Avtorske pravice 2023, CHICAGO PNEUMATIC Tool Co.LLC, 1815 Clubhouse Road, Rock Hill, SC 29730 - USA

Vse pravice pridržane. Vsaka nepooblaščen uporaba ali razmnoževanje vsebine ali delov vsebine je prepovedano. To še posebej velja za blagovne znamke, označbe modelov, številke delov in slike. Uporabite samo pooblaščen dele. Garancija ali jamstvo za izdelek ne krije nobenih poškodb ali nepravilnega delovanja, ki ga povzroči uporaba nepooblaščenih delov.

Date tehnicne

Date despre unealtă

Modele	Turație liberă (rpm)	Greutate (kg)	Greutate (lb)
CP3650-120AB	12000	1.8	4
CP3650-120AA	12000	1.8	4
CP3650-085AB	8500	1.8	4
CP3650-085AA	8500	1.8	4
CP3650-075AB	7500	1.8	4

Presiunea de lucru maximă

6.3 bar / 90 psig

Declarații

Declarație de conformitate UE

Noi, **CHICAGO PNEUMATIC Tool Co.LLC**, 1815 Clubhouse Road, Rock Hill, SC 29730 - USA, declarăm pe propria răspundere că produsul (cu denumirea, tipul și numărul de serie - vezi prima pagină) este conform cu următoarea Directivă / următoarele Directive:

2006/42/EC (17/05/2006)

Standarde armonizate aplicate:

EN ISO 11148-8:2011

Autoritățile pot solicita informații tehnice corespunzătoare de la:

Pascal Roussy, R&D Manager, Ets Georges Renault, 38 rue Bobby Sands, BP10273 44818 Saint Herblain, France

Saint-Herblain, 2023/06/05

Pascal ROUSSY



Semnătură

Declarație cu privire la nivelul de zgomot și de vibrații

Nivelul sonor - ISO 15744

Model	L _{pA} dB(A)	L _{WA} dB(A)
CP3650-120AB	93	104
CP3650-120AA	93	104
CP3650-085AB	93	104
CP3650-085AA	93	104
CP3650-075AB	90	101

L_{pA} dB(A): nivelul presiunii sunetului

L_{WA} dB(A): nivelul puterii sunetului

K / K_{pA} = K_{WA} = 3 dB: incertitudine

Nivelul vibrațiilor - ISO 28927-2

Model	Vibrații (m/s ²)
CP3650-120AB	2.6
CP3650-120AA	2.6
CP3650-085AB	2.3
CP3650-085AA	2.3
CP3650-075AB	2

Aceste valori declarate au fost obținute la testarea în laborator în conformitate cu standardele menționate și se pot compara cu valorile declarate ale celorlalte unelte testate în conformitate cu respectivele standarde. Aceste valori declarate nu pot fi folosite în cadrul evaluărilor de risc iar valorile măsurate la unitățile de lucru individuale pot fi mai mari. Valorile efective ale expunerii și riscul de vătămare suportat de un utilizator individual sunt unice și depind de modul de desfășurare a activ-

ităţii utilizatorului, de tipul lucrării și de designul spațiului de lucru, precum și de timp de expunere și de condiția fizică a utilizatorului.

Noi, **CHICAGO PNEUMATIC Tool Co.LLC**, nu putem fi considerați răspunzători de consecințele utilizării valorilor nominale în locul celor ce reflectă expunerea reală, într-o evaluare individuală a riscurilor unei situații aferente unui post de lucru asupra cărora nu avem control.

Această unealtă poate produce sindromul de vibrație mână-braț dacă nu este utilizată în mod adecvat. Un ghid UE pentru controlul vibrațiilor mână-braț poate fi găsit accesând <http://www.pneurop.eu/index.php> și selectând "Tools" (instrumente), apoi "Legislation" (legislație).

Vă recomandăm un program de monitorizare a sănătății pentru a detecta simptomele timpurii care pot apărea ca urmare a expunerii la zgomot și vibrații, astfel încât procedurile de management să poată fi modificate pentru a ajuta la prevenirea agravării situației.

- ❗ Dacă acest echipament este destinat aplicațiilor fixe: Emisia de zgomot este precizată ca un ghid pentru constructorul de mașini. Datele pentru emisia de zgomot și vibrații pentru întreaga mașină trebuie prezentate în manualul de instrucțiuni al mașinii.

Cerințe regionale

⚠️ AVERTISMENT

Acest produs vă poate expune la substanțe chimice, inclusiv plumb, care este cunoscut Statului California ca fiind cauzator de cancer și de defecte la naștere sau de alte efecte nocive asupra funcției de reproducere. Pentru mai multe informații, accesați

<https://www.p65warnings.ca.gov/>

Siguranța

A NU SE ARUNCA - A SE PREDĂ UTILIZATORULUI

⚠️ AVERTISMENT Citiți toate avertismentele, instrucțiunile, ilustrațiile și specificațiile furnizate împreună cu unealta.

În cazul nerespectării tuturor instrucțiunilor de mai jos, este posibilă producerea unei electrocutări, unui incendiu și/sau a unei vătămări grave.

Păstrați toate avertismentele și instrucțiunile pentru consultări ulterioare.

⚠️ AVERTISMENT Trebuie respectate permanent toate reglementările de siguranță din legislația locală privind instalarea, utilizarea și întreținerea.

Declarație privind utilizarea

- Exclusiv pentru utilizarea profesională.
- Acest produs și accesoriile sale nu trebuie modificate în niciun fel.
- Nu utilizați acest produs dacă este deteriorată.
- În cazul în care datele produsului sau etichetele de avertizare la pericole de pe acesta devin ilizibile sau se detașează, înlocuiți-le imediat.

- Produsul trebuie instalat, utilizat și întreținut exclusiv de către personalul calificat, într-un mediu industrial.

Scop preconizat

Acest produs este destinat eliminării sau șlefuirii materialelor cu abrazivi sau anexe de șlefuire. Nu este permis niciun alt scop de utilizare.

Instrucțiuni generale de siguranță

❗ Informații suplimentare referitoare la siguranța uneltelor pneumatice portabile:

- CAGI 2528 - B186.1, CODUL DE SIGURANȚĂ PENTRU UNELTE PNEUMATICE PORTABILE, disponibile la Global Engineering Documents la <https://global.ihs.com/> sau sunați la +1 800 447-2273. Dacă apar dificultăți în obținerea standardelor ANSI, contactați ANSI prin <https://www.ansi.org/>

Pericole asociate alimentării cu aer și conexiunilor

- Aerul comprimat poate cauza vătămări grave.
- Când nu utilizați unealta, înaintea înlocuirii accesoriilor sau când efectuați reparații, opriți alimentarea cu aer, goliți furtunul de aer comprimat și deconectați unealta de la sursa de aer.
- Nu îndreptați niciodată jetul de aer spre persoane.
- Furtunurile cu aer comprimat scăpate de sub control pot provoca vătămări grave. Verificați întotdeauna dacă există furtunuri și racorduri deteriorate sau slabe.
- Nu folosiți cuplaje de deconectare rapidă la această unealtă. Pentru asamblarea corectă consultați instrucțiunile.
- Dacă folosiți cuplaje universale cu răsucire, trebuie montate știfturi de blocare.
- Nu depășiți presiunea maximă a aerului de 6,3 bar / 90 psig sau cea specificată pe plăcuța cu datele tehnice de pe unealtă.

Verificarea apărătorii de degete (dotare opțională, consultați lista cu piese de schimb)

- Folosiți apărătoarea de degete recomandată și verificați să nu fie deteriorată.
- Puneți apărătoarea de degete între mână și discul abraziv.
- Verificați fixarea corectă a apărătorii de degete.

Pericole de agățare și încurcare

- Păstrați distanța față de discul abraziv atunci când este în mișcare. Rețineți că acesta va continua să funcționeze după închiderea robinetului de pornire; în cazul mașinilor de șlefuit cu dublă acțiune funcționarea poate dura câteva secunde.
- Este posibilă producerea de strangulări, scalpări sau lacerări dacă hainele largi, mănușile, bijuteriile, podobebele pentru gât și părul nu sunt ținute la distanță de unealtă și de accesoriile acesteia.

Pericolele reprezentate de obiectele proiectate

- Spargerea accesoriului, dispozitivului abraziv sau piesei de prelucrat poate genera bucăți proiectate cu mare viteză. Chiar și obiectele proiectate de mici dimensiuni pot răni ochii și provoca orbirea.
- Purtați întotdeauna o mască de protecție rezistentă la șoc pentru ochi și față atunci când utilizați, reparați sau întrețineți o unealtă, când schimbați accesoriile acesteia sau când vă aflați în apropiere în cursul acestor operațiuni.
- Asigurați-vă că toți cei aflați în zonă poartă măști de protecție rezistente la impact pentru ochi și față.
- Măsurați zilnic turația mașinii de șlefuit sau polizorului cu un tahometru, pentru a vă asigura că nu depășește valoarea în RPM marcată pe suport, tambur sau pe discul abraziv.
- Cu ajutorul sculelor furnizate, verificați dacă suportul/ abrazivul este fixat în siguranță pe mașina de șlefuit.
- Piesa de prelucrat trebuie fixată ferm.

Pericolele prezentate de accesorii

- Când înlocuiți accesoriile întrerupeți întotdeauna alimentarea pneumatică, eliberați presiunea din furtunul de aer și deconectați unealta de la alimentarea pneumatică.
- Utilizați numai tipurile de dispozitive abrazive corespunzătoare, având dimensiunile recomandate.
- Nu utilizați niciodată un suport, tambur sau disc abraziv având o turație maximă permisă mai mică decât cea a mașinii de șlefuit.
- Nu montați niciodată pietre de polizor sau discuri de tăiere la mașina de șlefuit. Pietrele de polizor care se sparg pot cauza vătămări grave sau chiar decesul dacă nu sunt protejate corespunzător.
- Utilizați numai discuri sau foi abrazive de șlefuire cu adeziv, lipite corect pe suportul furnizat cu mașina de șlefuit. Asigurați-vă că discurile de șlefuit cu adeziv sunt montate concentric.

Pericole în timpul utilizării

- Operatorii și personalul de întreținere trebuie să fie apti din punct de vedere fizic să controleze volumul, greutatea și forța uneltei.
- Unealta trebuie manevrată corespunzător: fiți pregătit să compensați eventualele mișcări normale sau bruște. Trebuie să aveți ambele mâini libere.
- Contactul cu accesoriul, discul abraziv sau suprafața de lucru, poate provoca tăieturi sau arsuri. Pentru a vă proteja mâinile, evitați contactul și purtați mănuși corespunzătoare.
- Inspectați suportul înainte de fiecare utilizare. Nu utilizați suportul dacă este crăpat sau deteriorat sau dacă a fost scăpat pe jos.
- Nu folosiți unealta decât dacă partea abrazivă este în contact cu piesa în lucru.
- Dacă unealta este utilizată pe plastic sau alte materiale izolatoare există riscul descărcării electrostatice.

- Când utilizați o unealtă care a fost proiectată să funcționeze cu dispozitiv de protecție, acesta trebuie să fie prezent în poziția specificată pentru a vă oferi protecție împotriva așchiilor și altor sfărâmături proiectate în aer.

Pericole asociate mișcărilor repetitive

- Când utilizează o unealtă electrică pentru activități lucra-tive, operatorul poate resimți disconfort la nivelul mâinilor, brațelor, umerilor, gâtului sau altor zone ale corpului.
- Adoptați o poziție confortabilă, mențineți-vă sprijinul pe picioare și evitați pozițiile ciudate sau precare. Modifi-carea poziției în timpul executării unor sarcini prelungite poate evita disconfortul și oboseala.
- Nu ignorați simptomele precum disconfortul, durerile, tremurăturile, furnicăturile, amorțeala, senzațiile de arsură sau rigiditatea persistente și recurente. Încetați uti-lizarea uneltei, comunicați acest lucru angajatorului și adresați-vă unui medic.

Pericole asociate zgomotului și vibrațiilor

- Nivelul ridicat al sunetului poate provoca hipoacuzia per-manentă și alte probleme precum acufena. Folosiți mi-jloace de protecție pentru auz, așa cum este recomandat de către angajator sau în reglementările de siguranță și sănătate ocupațională.
- Expunerea la vibrații poate provoca dizabilități la nivelul nervilor și circulației mâinilor și brațelor. Purtați îm-brăcămintă calduroasă și păstrați-vă mâinile calde și us-cate. Dacă remarcați amorțeală, furnicăături, durere sau al-birea pielii încetați utilizarea uneltei, comunicați acest lu-cru angajatorului și consultați un medic.
- Țineți unealta ușor dar sigur, deoarece riscul asociat vi-brațiilor este mai mare dacă forța de apucare este cres-cută. Dacă este posibil, susțineți greutatea uneltei cu un balansier.
- Pentru prevenirea creșterii accidentale a nivelului de zgo-mot și vibrații:
 - Utilizați și întrețineți unealta și selectați, întrețineți și înlocuiți accesoriile și consumabilele, conform in-strucțiunilor prezentate în acest manual;
 - Pentru a preveni "zdrăgănitul" pieselor de prelu-crat folosiți materiale amortizoare.

Riscuri asociate locului de muncă

- Alunecările/împiedicarea/căzăturile sunt cauze majore de vătămare gravă sau deces. Acordați atenție porțiunilor de furtun rămase pe podea sau pe suprafața de lucru.
- Evitați inhalarea pulberilor, vaporilor sau sfărâmăturilor produse în procesul de lucru deoarece pot produce îmbol-năviri (de exemplu cancer, malformații la naștere, astm și/sau dermatite). Când lucrați cu materiale care pot pro-duce particule în suspensie, utilizați extractoare de praf și purtați echipament de protecție a căilor respiratorii.
- Anumite tipuri de praf produs prin sablare, tăiere, polizare, găurire sau în urma altor activități din con-strucții conțin substanțe chimice care, după cum se știe în statul California, sunt cancerigene și provoacă malfor-mații congenitale sau afecțiuni reproductive. Printre aceste chimicale se numără:

- Plumbul din vopsele pe bază de plumb
- Cărămizile și cimentul pe bază de oxid de siliciu cristalizat și alte produse de zidărie
- Arsenicul și cromul din cauciucul tratat chimic

Riscul specific acestor expuneri variază în funcție de frecvența efectuării activității respective. Pentru a reduce expunerea la aceste chimicale: lucrați într-o zonă bine aerisită și dotată cu echipamente de protecție aprobate, precum măștile de praf proiectate special pentru filtrarea particulelor microscopice.

- Procedați cu atenție în medii insuficient cunoscute. Pericolele pot fi ascunse, ca de exemplu cabluri electrice sau conducte de altă natură.
- Este posibilă generarea de atmosfere potențial explozive ca urmare a prafului și gazelor eliberate prin șlefuire sau polizare. Utilizați sisteme de extragere sau eliminare a pulberii, adecvate pentru tipul de material în lucru.
- Această unealtă nu este destinată pentru utilizarea în atmosfere potențial explozive și nu este izolată în cazul intrării în contact cu surse de tensiune electrică.

Instrucțiuni specifice produsului

Siguranța operațională generală

Înainte de a începe lucrul

1. Verificare turație de mers în gol
 - Turația, măsurată la o presiune de 6,3 bari / 90 PSIG, nu trebuie să fie mai mare decât viteza nominală, marcată pe mașina de șlefuit.
 - Înainte de a verifica turația de mers în gol, demontați suportul și flanșa exterioară.
 - Efectuați verificări zilnice ale turației de mers în gol, în special după perioade îndelungate de neutilizare.
 - Valoarea turației marcată pe unealtă trebuie să fie lizibilă.
 - Returnați unealta pentru reparare dacă turația este prea mare.
2. Verificare declanșator
 - Verificați dacă declanșatorul funcționează corect.
 - Înlocuiți declanșatorul dacă acesta nu funcționează corect.
 - Nu scoateți niciodată declanșatorul. A nu se bloca niciodată cu bandă adezivă.
3. Verificare turație maximă
 - Asigurați-vă că valoarea maximă a turației specificată pe suport și pe foaia abrazivă este cel puțin egală cu cea precizată pe mașina de șlefuit.
4. Verificare suport
 - Verificați dacă suportul prezintă fisuri sau deteriorări.
 - Asigurați-vă că orificiul suportului are diametrul corect și că discul este montat corect pe ax pentru a preveni vibrații inegale.
 - Scoateți și înlocuiți imediat suportul deteriorat.
5. Verificare flanșă și suport
 - Atunci când înlocuiți suportul sau foaia abrazivă sau reglați unealta, deconectați întotdeauna sursa de aer.
 - Ansamblul flanșă-suport trebuie să corespundă prevederilor în vigoare la nivel național.
 - Verificați dacă flanșa este curată și fără deteriorări.
 - Atașați flanșa folosind cuplul recomandat de strângere.
 - După montarea suportului, testați mașina de șlefuit într-o zonă protejată.
 - Asigurați-vă că mașina de șlefuit funcționează corect.
6. Echipamentul de protecție personală:

Operatorii trebuie să poarte:

 - Echipament de protecție a ochilor, ochelari de protecție sau vizieră.
 - Echipament de protecție antifonică
 - Mănuși
 - Încălțăminte cu bombeu metalic
 - Îmbrăcăminte de protecție, cum ar fi un șorț din piele.
 - Cască (pentru protecție la utilizarea de echipamente grele)
 - Nu utilizați îmbrăcăminte largă, părul trebuie strâns, nu sunt permise bijuteriile (există riscul prinderii acestora).
7. Spațiul de lucru

În spațiul de lucru nu trebuie să se mai afle și alte persoane, pentru a se evita vătămarea acestora.

 - Persoanele aflate în apropiere trebuie să poarte de asemenea echipament de protecție pentru urechi și ochi.
 - Asigurați-vă că sistemele de ventilație și extracție a prafului instalate în locație au capacitate suficientă.
 - Asigurați-vă că aveți un spațiu sau cadru unde să puteți lăsa unealta în siguranță.
 - Lucrați într-o zonă izolată, dacă este posibil, prevăzută cu pereți de protecție. Există riscul proiectării bucăților dintr-un suport spart.

În timpul lucrului

Încetați utilizarea uneltei dacă în timpul procedurii se produc zgomete și vibrații anormale.

Este interzisă modificarea în orice fel a uneltei sau accesoriilor sale.

Operarea

Instalarea / Operarea

Consultați Schema 3.

1. Pentru evitarea pornirii accidentale trebuie verificat întotdeauna dacă echipamentul a fost deconectat de la sursa electrică.
2. Fixați corespunzător accesoriile pe mașină. Folosiți blocarea axului (1) pentru a ajuta la schimbarea accesoriilor.
3. Conectați dispozitivul la o sursă de aer curat și uscat.
4. Reglați presostatul pneumatic la 6,3 bari / 90 PSIG la unealtă.
5. Folosiți un lubrifiant al liniei pneumatice cu ulei SAE #10 reglat la două picături pe minut.
6. Pentru pornirea mașinii, deblocați și apăsați maneta de siguranță (2). Pentru oprire, eliberați maneta de siguranță.

Rotirea mânerului

Consultați Schema 4.

1. Pentru evitarea pornirii accidentale trebuie verificat întotdeauna dacă echipamentul a fost deconectat de la sursa electrică.
2. Scoateți mânerul (1).
3. Îndepărtați șurubul (2).
4. Rotiți suportul (3) în poziția dorită.
5. Strângeți șurubul (2).
6. Instalați mânerul (1).

După încheierea activității

AVERTISMENT Durata de oprire poate fi mai mare de 5 secunde.

- ▶ Unealta trebuie să fie dezactivată și complet oprită înainte de a fi lăsată din mână.
- ▶ Durata de oprire depinde de tipul foii abrazive folosite.

Puneți jos unealta cu atenție pentru a vă asigura că aceasta nu pornește accidental/singură.

Service-ul și întreținerea

Instrucțiuni de întreținere

- Respectați reglementările locale privind mediul din țara respectivă pentru manipularea și eliminarea în siguranță a tuturor componentelor.
- Lucrările de întreținere și reparații trebuie efectuate de personal calificat, folosind numai piese de schimb originale. Contactați producătorul sau cel mai apropiat distribuitor autorizat pentru consultanță cu privire la serviciul tehnic sau dacă aveți nevoie de piese de schimb.
- Pentru evitarea pornirii accidentale trebuie verificat întotdeauna dacă echipamentul a fost deconectat de la sursa electrică.

- Dacă echipamentul este utilizat zilnic, acesta trebuie dezasamblat și verificat la fiecare 3 luni (500 de ore). Înlocuiți piesele deteriorate sau uzate.
- Pentru reducerea la minimum a timpilor morți se recomandă utilizarea următoarei truse de service: **Trusă de reglaj**

Casarea

- Legislația din țara respectivă trebuie respectată la eliminarea acestui echipament.
- Toate echipamentele deteriorate, foarte uzate sau care funcționează defectuos **NU TREBUIE FOLOSITE**.

Informații utile

Fișă tehnică de securitate

Fișele tehnice de securitate descriu produsele chimice vândute de Chicago Pneumatic.

Pentru mai multe informații, consultați site-ul web Chicago Pneumatic qr.cp.com/sds.

Țara de origine

Hungary

Site web

Informațiile referitoare la Produsele, Accesoriile, Piesele de schimb și Publicațiile noastre se găsesc pe site-ul web Chicago Pneumatic.

Vă rugăm să vizitați: www.cp.com.

Drepturi de autor

© Copyright 2023, CHICAGO PNEUMATIC Tool Co.LLC, 1815 Clubhouse Road, Rock Hill, SC 29730 - USA

Toate drepturile rezervate. Este interzisă utilizarea sau copierea integrală sau parțială a conținutului. Acest lucru este valabil pentru mărcile comerciale, denumirile modelelor, numerele componentelor și schițe. A se utiliza exclusiv piese autorizate. Eventualele deteriorări sau defecțiuni cauzate prin utilizarea de piese neautorizate nu sunt acoperite de garanție, nici de certificatul de conformitate.

Teknik Veriler

Alet Verileri

Modeller	Serbest hız (dev/dk)	Ağırlık (kg)	Ağırlık (lb)
CP3650-120AB	12000	1.8	4
CP3650-120AA	12000	1.8	4
CP3650-085AB	8500	1.8	4
CP3650-085AA	8500	1.8	4
CP3650-075AB	7500	1.8	4

Maksimum çalışma basıncı

6.3 bar / 90 psig

Beyanlar**AB Uygunluk Beyanı**

Biz, **CHICAGO PNEUMATIC Tool Co.LLC**, 1815 Clubhouse Road, Rock Hill, SC 29730 - USA tamamen kendi sorumluluğumuz altında, ürünün (adı, tipi ve seri numarası ile, ön sayfaya bakınız) aşağıdaki Direktif(ler)e uygun olduğunu beyan ederiz:

**2006/42/EC (17/05/2006)**

Uygulanan uyumlaştırılmış standartlar:
EN ISO 11148-8:2011

Yetkililer ilgili teknik bilgileri şuradan talep edebilirler:

Pascal Roussy, R&D Manager, Ets Georges Renault, 38 rue Bobby Sands, BP10273 44818 Saint Herblain, France

Saint-Herblain, 2023/06/05**Pascal ROUSSY**

İmza

Gürültü ve Titreşim Açıklaması**Ses Seviyesi - ISO 15744**

Model	L _{pA} dB(A)	L _{WA} dB(A)
CP3650-120AB	93	104
CP3650-120AA	93	104
CP3650-085AB	93	104
CP3650-085AA	93	104
CP3650-075AB	90	101

L_{pA} dB(A): ses basıncı seviyesiL_{WA} dB(A): ses gücü seviyesiK / K_{pA} = K_{WA} = 3 dB: belirsizlik**Titreşim Seviyesi - ISO 28927-2**

Model	Titreşim (m/s ²)
CP3650-120AB	2.6
CP3650-120AA	2.6
CP3650-085AB	2.3
CP3650-085AA	2.3
CP3650-075AB	2

Bu açıklanan değerler, belirtilen standartlara uygun olarak laboratuvar testlerinde elde edilmiştir ve aynı standartlara göre test edilen diğer aletlerin açıklanan değerleriyle karşılaştırma için uygundur. Bu açıklanan değerler risk değerlendirmelerinde kullanım için yeterli değildir ve ayrı iş yerlerinde ölçülen değerler daha yüksek olabilir. Maruz kalma değerleri ve bireysel kullanıcının görebileceği zarar riski du-

ruma özgüdür ve kullanıcının çalışma şekline, çalışılan parçaya ve iş istasyonu tasarımı ile kullanıcının maruz kalma süresi ve fiziksel durumuna bağlıdır.

Bizler, **CHICAGO PNEUMATIC Tool Co.LLC** olarak, kontrolümüz olmayan bir iş yerinde risk değerlendirmesi için geçerli maruz kalmayı yansıtan değerler yerine açıklanan değerlerin kullanılmasının sonuçlarından sorumlu tutulamayız.

Bu alet, kullanımı yeterli derecede yönetilmediğinde el-kol titreşimi sendromuna yol açabilir. El-kol vibrasyonunu yönetmekle ilgili AB kılavuzuna, <http://www.pneurop.eu/index.php> sitesinde, 'Tools' (Araçlar) ve 'Legislation' (Mevzuat) seçeneğinden ulaşılabilir.

Yönetme prosedürlerinin gelecekteki hasarı önlemeye yardımcı olacak şekilde değiştirilebilmesi için gürültü ve titreşime maruz kalmayla ilgili olabilecek belirtileri erken tespit etmek için bir sağlık gözetim programı öneriyoruz.

- ❗ Eğer bu ekipman sabitlenen uygulamalara yönelikse: Gürültü emisyonu makine kurucusu için bir rehber olarak verilir. Tüm makine için gürültü ve titreşim emisyonu verileri makine kullanım kılavuzunda verilmelidir.

Bölgesel Gereklilikler**⚠ UYARI**

Bu ürün Kaliforniya eyaleti tarafından kansere ve doğum kusurlarına veya diğer üreme rahatsızlıklarına neden olduğu bilinen kurşun dahil olmak üzere çeşitli kimyasallara maruz kalmanıza neden olabilir. Daha fazla bilgi için <https://www.p65warnings.ca.gov/> adresini ziyaret edin <https://www.p65warnings.ca.gov/>

Güvenlik**ATMAYIN - KULLANICIYA VERİN**

- ⚠ **UYARI Bu elektrikli alet ile birlikte verilen tüm güvenlik uyarılarını, talimatlarını, resimlerini ve spesifikasyonlarını okuyun.**

Aşağıda belirtilen tüm talimatlara uyulmaması elektrik çarpmasına, yangına ve/veya ciddi yaralanmalara yol açabilir.

Gelecekte başvurmak üzere bütün uyarıları ve talimatları saklayın.

- ⚠ **UYARI Kurulum, kullanım ve bakıma ilişkin tüm yerel güvenlik kurallarına her zaman uyulmalıdır.**

Kullanım Beyanı

- Sadece profesyonel kullanım içindir.
- Bu ürün ve parçalarının hiçbir şekilde tadil edilmemesi gerekir.
- Bu ürün hasar görmüşse kullanmayın.
- Ürün verileri veya tehlike uyarı işaretleri okunamaz hale gelirse veya sökülürse, zaman kaybetmeden yenileyin.
- Ürün endüstriyel bir ortamda sadece nitelikli personel tarafından kurulmalı, çalıştırılmalı ve servisi yapılmalıdır.

Kullanım Amacı

Bu ürün kaplanmış aşındırıcıları veya cilalama eklentilerini kullanarak malzemenin kaldırılması veya cilalanması için tasarlanmıştır. Diğer her türlü kullanımı yasaktır.

Genel güvenlik talimatları

ⓘ Portatif havalı aletlerle ilgili ek güvenlik bilgileri:

- CAGI 2528 - B186.1, PORTATİF HAVALI ALETLER İÇİN GÜVENLİK KODU, <https://global.ihs.com/> adresinden Global Mühendislik Dokümanlarından veya +1 800 447-2273 numaralı telefonu arayarak öğrenilebilir. ANSI standartlarını temin etmekte zorluk yaşıyorsanız <https://www.ansi.org/> adresinden ANSI'yle temas kurunuz.

Hava beslemesi ve bağlantı tehlikeleri

- Basıncı hava ciddi yaralanmaya neden olabilir.
- Kullanılmadığında, aksesuar değiştirilmeden veya onarım yapılmadan önce daima hava beslemesini kapatın, hortumdaki hava basıncını boşaltın ve aleti hava beslemesinden ayırın.
- Hiçbir zaman havayı kendinize ya da başka birine yöneltmeyin.
- Hortumların savrulması ciddi yaralanmalara neden olabilir. Hasarlı veya gevşek hortumlar ve bağlantı parçaları olup olmadığını daima kontrol edin.
- Çabuk açılır kuplörleri alette kullanmayın. Doğru kurulum için talimatlara bakın.
- Üniversal bükümlü kaplinler kullanıldığında, kilit pimleri takılmalıdır.
- Maksimum 6,3 bar / 90 psi veya alet tanıtım plakasında belirtilmiş olan hava basıncını aşmayın.

Parmak koruma kontrolü (isteğe bağlı özellik yedek parça listesine bakın)

- Önerilen parmak korumasını kullanın ve hasar görmediğinden emin olun.
- Parmak korumasını elinizle zımpara yastığı arasına yerleştirin.
- Parmak korumasının düzgün şekilde sabitlendiğini kontrol edin.

Takılma tehlikeleri

- Hareketli zımpara yastığından uzak durun. Çalıştırma valfi kapanmış olsa bile zımparanın çalışmaya devam edeceğini akılda tutun; çift hareketli zımpara makinelerinde, bu saniyelerce sürebilir.
- Giysiler, eldivenler, takılar, kolyeler ve saçlar, aletten ve aksesuarlardan uzak tutulmazsa, boğulmaya, soyulmalara ve / veya yırtılmalara neden olabilir.

Fırlama tehlikeleri

- Aksesuarın veya aşındırıcının veya iş parçasının zarar görmesi, yüksek hızda hareket eden cisimler oluşturabilir. Fırlayan küçük parçalar bile gözlerde yaralanmaya ve körlüğe neden olabilir.

- Aletin çalıştırılması, onarımı veya bakımı ya da alet üzerindeki aksesuarların değiştirilmesi sırasında veya yakınında her zaman darbeye dayanıklı göz ve yüz koruması kullanın.
- Bölgedeki diğer kişilerin de darbeye dayanıklı göz ve yüz koruması kullandığından emin olun.
- Döner zımpara makinesi veya takometreli cila makinesinin hızının destek yastığı, tambur ya da aşındırıcı üzerinde belirtilen devirden fazla olmadığından emin olmak için her gün ölçün.
- Destek yastığının - aşındırıcının zımpara makinesine verilen aletler kullanılarak sıkıca bağlandığından emin olun.
- İş parçasının sıkı bir şekilde bağlandığından emin olun.

Aksesuar tehlikeleri

- Aksesuarları değiştirirken, her zaman hava beslemesini kapatın, hava basıncı hortumunu gevşetin ve aletin hava beslemesiyle bağlantısı kesin.
- Yalnızca önerilen boyut ve tipte aşındırıcıları kullanın.
- Asla izin verilen hızı, havalı zımpara makinesi hızından daha düşük olan destek yastığı, tambur ya da aşındırıcı kullanmayın.
- Zımpara makinesine asla taşlama taşı veya kesici taş monte etmeyin. Patlayan bir taşlama diski, uygun şekilde korunmadığında ciddi yaralanmalara veya ölüme neden olabilir.
- Yalnızca havalı zımpara makinesi ile birlikte temin edilen destek yastığı ile sabitlenen kaplamalı aşındırıcı zımpara disklerini ya da kâğıtlarını kullanın. Kendinden sabitlenen zımpara disklerinin ortak merkezli olarak monte edilmesini sağlayın.

Çalışma tehlikeleri

- Operatörler ve bakım personeli, aletin büyüklüğünü, ağırlığını ve gücünü fiziksel olarak taşıyabilecek durumda olmalıdır.
- Aleti doğru şekilde tutun: normal ya da ani hareketlere karşı hazırlıklı olun – gerektiğinde her iki elinizi de kullanabilecek pozisyonda olun.
- Zımpara yastığı, aşındırıcı veya çalışma yüzeyine temas etmeniz halinde kesiğe, sıkışmaya veya yanığa maruz kalabilirsiniz. Temastan kaçının ve ellerinizi korumak için uygun eldivenler giyin.
- Her kullanımdan önce destek yastığını kontrol edin. Çatlaklı veya kırılmışsa ya da düşürülmüşse kullanmayın.
- İşlenecek parçaya aşındırıcı uygulanmadan aleti asla çalıştırmayın.
- Plastik ve diğer iletken olmayan maddeler üzerinde kullanıldığında elektrostatik deşarj riski bulunmaktadır.
- Koruma siperi ile kullanım için tasarlanmış herhangi bir aleti kullanırken, taşlama talaşı ya da diğer artık parçacıklardan korunmak üzere koruma siperi yerine takılı olmalıdır.

Tekrarlanan hareket tehlikeleri

- İşle ilgili faaliyetleri gerçekleştirmek için elektrikli bir alet kullanırken, operatör ellerinde, kollarında, omuzlarında, boynunda veya diğer vücut kısımlarında rahatsızlık hissedebilir.

- Yere sağlam basarak ve uygunsuz veya dengeyi bozacak duruşlardan kaçınarak konforlu bir duruş benimseyin. Uzun süreli görevler sırasında duruş pozisyonunun değiştirilmesi rahatsızlık ve yorgunluğun önlenmesine yardımcı olabilir.
- Devamlı veya yinelenen rahatsızlık, acı, çarpıntı, ağrı, karıncalanma, uyuşma, ateş basması veya gerginlik gibi belirtileri göz ardı etmeyin. Aleti kullanmayı bırakın, işvereninize haber verin ve bir doktora başvurun.

Gürültü ve Titreşim tehlikeleri

- Yüksek ses seviyeleri kalıcı işitme kaybına ve kulak çınlaması gibi diğer sorunlara neden olabilir. İşvereniniz veya iş sağlığı ve güvenliği yönetmelikleri tarafından önerildiği şekilde işitme koruması kullanın.
- Titreşime maruz kalmak ellere ve kollara gelen sinirlerin ve kan akışının zarar görmesine neden olabilir. Kalın giysiler giyin ve ellerinizi sıcak ve kuru tutun. Ciltte duyarlılık, karıncalanma, ağrı veya beyazlama oluşursa, aleti kullanmayı bırakın, işvereninize haber verin ve bir hekime başvurun.
- Titreşimden kaynaklanan risk, kavrama kuvveti yükseldikçe daha fazla olduğundan, aleti fazla sıkmadan ancak güvenli bir şekilde kavrayın. Mümkün olan yerlerde, aletin ağırlığını bir dengeleyici ile destekleyin.
- Gürültü ve titreşim seviyelerinde gereksiz artışları önlemek için:
 - Aletin kullanımını ve bakımını, ve aksesuarların ve sarf malzemelerinin seçimini, bakımını ve değişimini bu kullanım kılavuzuna göre yapın;
 - İş parçalarının "çınlama" yapmasını önlemek için sönümleyici materyaller kullanın.

İşyeri tehlikeleri

- Kayma/Takılma/Düşme ciddi yaralanma veya ölüme yol açan önemli bir nedendir. Yürüme ya da çalışma alanında kalan fazla hortuma karşı dikkatli olun.
- Toz veya dumanı solumaktan veya iş sürecinden kaynaklanan ve sağlığa (örneğin kanser, doğum kusurları, astım ve/veya dermatit) neden olabilecek kalıntıları tutmaktan kaçının. Havada asılı partiküller üreten malzemelerle çalışırken toz emme sistemi kullanın ve solunum koruyucu ekipman takın.
- Elektrikli zımparalama, doğrama, taşlama, delme ve diğer yapı faaliyetlerinin neden olduğu bazı tozlar, California eyaleti tarafından kansere ve doğum kusurlarına veya diğer üreme rahatsızlıklarına neden olduğu bilinen kimyasallar içermektedir. Bu kimyasallardan bazıları şunlardır:
 - Kurşun bazlı boyalardaki kurşun
 - Kristalimsi silis tuğla ile çimento ve diğer duvarcılık ürünleri
 - Arsenik ile kimyasal olarak işlenmiş kauçuktaki krom

Bu maruz kalmalar karşısındaki riskiniz bu tür işleri ne kadar sıklıkla yaptığınıza bağlı olarak değişiklik gösterir. Bu kimyasallara maruziyetinizi azaltmak için: iyi havalandırılmış bir alanda çalışın ve mikroskobik partikülleri filtrelemek için özel olarak tasarlanmış toz maskeleri gibi onaylı güvenlik ekipmanlarıyla çalışın.

- Bilmediğiniz ortamlarda dikkatli hareket edin. Elektrik ya da diğer hizmet (gaz) hatları gibi gizli tehlikeler bulunabilir.
- Zımparalamadan veya taşlamadan kaynaklanan toz ve dumanlar patlama tehlikesi taşıyan ortamlara neden olabilirler. İşlenmekte olan malzemeye uygun toz çekme ya da giderme sistemlerini kullanın.
- Bu alet muhtemel patlayıcı ortamlarda kullanılmak üzere tasarlanmamıştır ve elektrik ile temasa karşı yalıtılmamıştır.

Ürüne Özel Talimatlar

Genel Çalışma Güvenliği

Çalışmaya Başlamadan Önce

1. Serbest hız kontrolü
 - 6,3 bar / 90 PSIG'lik bir basınçta ölçülen hızın, zımpara makinesinde işaretlenen nominal hızdan yüksek olmaması gerekir.
 - Serbest hızı kontrol etmeden önce, destek yastığını ve dış flanşı sökün.
 - Her gün, özellikle de uzun süre kullanılmadığında serbest hız kontrolü yapın.
 - Alettaki hız işaretinin okunabildiğinden emin olun.
 - Aşırı hızlandığında aleti onarım için geri gönderin.
2. Tetik kontrolü
 - Tetiğin doğru çalıştığından emin olun.
 - Doğru çalışmıyorsa, tetiği değiştirin.
 - Asla tetiği sökmeyin veya bantla kilitlemeyin.
3. Maksimum hız kontrolü
 - Destek yastığının ve tahriş edici sacın belirtilen maksimum hızının, zımpara makinesinde işaretlenen hızdan büyük veya ona eşit olduğundan emin olun.
4. Destek yastığı kontrolü
 - Destek yastığının çatlamış veya zarar görmemiş olduğundan emin olun.
 - Dengesiz titreşimleri önlemek için destek yastığının doğru delik boyutlarına sahip olduğundan ve mile doğru şekilde takıldığından emin olun.
 - Hasarlı destek yastığını hemen sökün ve değiştirin.
5. Flanş ve destek yastığı kontrolü
 - Destek yastığını veya tahriş edici sacı değiştirir veya aleti ayarlarken her zaman hava girişini kesin.
 - Flanş ve yastık kombinasyonlarının ulusal yönetmeliklere uygun olduğundan emin olun.
 - Flanşın temiz ve hasarsız olduğundan emin olun.
 - Flanşı önerilen sıkma torkunda takın.
 - Destek yastığını taktıktan sonra, zımpara makinesini korunmuş bir alanda çalıştırarak test edin.
 - Zımpara makinesi doğru çalıştığından emin olun.

6. Kişisel koruyucu donanım:
Operatörlerin aşağıdakileri kullandığından emin olun:
- Göz koruması, koruyucu gözlük veya bir siper.
 - Koruyucu kulaklık
 - Eldivenler
 - Çelik parmak uçlu ayakkabılar
 - Örneğin deri önlük gibi koruyucu giysiler.
 - Bir kask (daha ağır uygulamalar için)
 - Bol giysiler, saç veya takı kullanmayın (takılma riski vardır).
7. Çalışma alanı
Kimse yaralanmaması için, çalışma alanında başka kimse bulunmadığından emin olun.
- Yakındaki insanların koruyucu kulaklık ve gözlük kullanması gerekir.
 - Sahadaki havalandırma ve toz çıkarma sistemleri yeterli olduğundan emin olun.
 - Aletin güvenli bir şekilde konulabileceği bir altlık veya yer bulunduğundan emin olun.
 - Mümkünse koruyucu duvarları olan, yalıtılmış bir alanda çalışın. Kırılan destek yastıklarının fırlayıp gitme riski vardır.

Çalışma Sırasında

Kullanım sırasında anormal yüksek sesli gürültüler ve titreşimler oluşursa aleti kullanmayı durdurun.

Bu alet ve aksesuarları hiçbir şekilde değiştirilmemelidir.

Çalıştırma

Kurulum / Çalıştırma

Bkz. Şema 3

1. Kazara çalışmasını önlemek için her zaman makinenin elektrik bağlantısının kesildiğinden emin olun.
2. Aksesuarları makineye düzgün bir biçimde takın. Aksesuarların değiştirilmesine yardımcı olmak için mil kilidini (1) kullanın.
3. Cihazı temiz ve kuru hava girişine bağlayın.
4. Alette hava basıncı regülatörünü 6,3 bar / 90 PSIG değerine ayarlayın.
5. Dakikada iki damla olacak şekilde ayarlanmış SAE #10 yağ içeren bir hava hattı yağlayıcısı kullanın.
6. Makineyi çalıştırmak için emniyet kolunun (2) kilidini açın ve bastırın. Durdurmak için güvenlik kolunu serbest bırakın.

Kolun Döndürülmesi

Bkz. Şema 4.

1. Kazara çalışmasını önlemek için her zaman makinenin elektrik bağlantısının kesildiğinden emin olun.
2. Kolu (1) sökün.
3. Vidayı (2) sökün.
4. Braketi (3) istenen konuma döndürün.

5. Vidayı (2) sıkın.
6. Kolu (1) takın.

İş tamamlandıktan sonra

⚠ UYARI Durma zamanı 5 saniyeden daha uzun olabilir.

- ▶ Yere konulmadan önce aletin kapatılmış olduğundan ve tamamen durduğundan emin olun.
- ▶ Durdurma zamanı kullanılan aşındırıcıya bağlıdır.

Aletin kendi kendine çalışmayacağından emin olmak için aleti dikkatlice yere bırakın.

Servis ve Bakım

Bakım talimatları

- **Tüm bileşenlerin güvenli kullanımı ve bertarafı için yerel ülkenin çevre düzenlemelerine uyun.**
- Bakım ve onarım çalışmaları sadece orijinal yedek parçalar kullanılarak kalifiye personel tarafından yapılmalıdır. Teknik servis konusunda tavsiye almak veya yedek parçaya ihtiyaç duymak için üreticiye veya size en yakın yetkili satıcıya başvurun.
- Kazara çalışmasını önlemek için her zaman makinenin elektrik bağlantısının kesildiğinden emin olun.
- Alet her gün kullanılıyorsa, aleti her üç 3 ayda (500 saatte) bir sökün ve inceleyin. Hasarlı veya aşınmış parçaları değiştirin.
- Onarım süresini minimumda tutmak için, aşağıdaki servis kiti tavsiye edilir: **Ayarlama kiti**

İmha

- Bu ekipmanın imhası için ilgili ülkenin mevzuatına uyulmalıdır.
- Tüm hasarlı, kötü şekilde yıpranmış veya uygun olmayan şekilde işlev yapan cihazların **KULLANIMINA SON VERİLMELİDİR.**

Faydalı Bilgiler

Güvenlik Bilgi Formu

Güvenlik Bilgi Formları Chicago Pneumatic tarafından satılan kimyasal ürünleri tanımlamaktadır.

Daha fazla bilgi için lütfen Chicago Pneumatic web sitesini qr.cp.com/sds ziyaret edin.

Menşei Ülke

Hungary

Web sitesi

Ürünlerimiz, Aksesuarlarımız, Yedek Parçalarımız ve Yayınlanmış Makalelerimizle ilgili bilgileri Chicago Pneumatic web sitesinde bulabilirsiniz.

Lütfen ziyaret edin: www.cp.com.

Telif Hakkı

© Copyright 2023, CHICAGO PNEUMATIC Tool Co.LLC, 1815 Clubhouse Road, Rock Hill, SC 29730 - USA

Her hakkı saklıdır. İçeriğinin veya bir kısmının izinsiz kullanımı veya kopyalanması yasaktır. Bu özellikle ticari markalar, model adları, parça numaraları ve çizimler için geçerlidir. Yalnızca onaylanmış parçaları kullanın. Onaylanmamış parçaların kullanımından kaynaklanan herhangi bir hasar veya arıza Garanti veya Ürün Sorumluluğu kapsamında değildir.

Технически данни**Данни за инструмента**

Модел	Скорост на въртене на празен ход (об./мин)	Тегло (kg)	Тегло (lb) (фунт)
CP3650-120AB	12000	1.8	4
CP3650-120AA	12000	1.8	4
CP3650-085AB	8500	1.8	4
CP3650-085AA	8500	1.8	4
CP3650-075AB	7500	1.8	4

Максимално работно налягане

6.3 bar / 90 psig

Декларации**Декларация за съответствие ЕС**

Ние, CHICAGO PNEUMATIC Tool Co.LLC, 1815 Clubhouse Road, Rock Hill, SC 29730 - USA, декларираме на своя лична отговорност, че продуктът (с наименование, тип и сериен номер, вж. заглавната страница) е в съответствие със следната(ите)

Директива(и):

2006/42/ЕС (17/05/2006

Приложени хармонизирани стандарти:

EN ISO 11148-8:2011

Властите могат да поискат съответната техническа информация от:

Pascal Roussy, R&D Manager, Ets Georges Renault, 38 rue Bobby Sands, BP10273 44818 Saint Herblain, France

Saint-Herblain, 2023/06/05

Pascal ROUSSY



Подпис

Декларация за шум и вибрации

Ниво на звука - ISO 15744

Модел	L _{pA} dB(A)	L _{WA} dB(A)
CP3650-120AB	93	104

Модел	L _{pA} dB(A)	L _{WA} dB(A)
CP3650-120AA	93	104
CP3650-085AB	93	104
CP3650-085AA	93	104
CP3650-075AB	90	101

L_{pA} dB(A): ниво на звуково налягане

L_{WA} dB(A): ниво на звукова мощност

K / K_{pA} = K_{WA} = 3 dB: несигурност

Ниво на вибрации - ISO 28927-2

Модел	Вибрации (m/s ²)
CP3650-120AB	2.6
CP3650-120AA	2.6
CP3650-085AB	2.3
CP3650-085AA	2.3
CP3650-075AB	2

Тези декларираны стойности са получени при изпитвания от лабораторен тип в съответствие с посочените стандарти и са подходящи за сравнение с декларираните стойности на други инструменти, изпитвани в съответствие със същите стандарти. Тези декларираны стойности не са подходящи за използване при оценка на риска, тъй като стойностите, измерени на отделните работни места могат да бъдат по-високи. Действителните стойности на излагането на въздействие и рискът от увреждания, понасяни от отделния потребител са уникални и зависят от начина на работа на потребителя, вида на работата и конструкцията на работната станция, както и от времето на излагане и физическото състояние на потребителя.

Ние, CHICAGO PNEUMATIC Tool Co.LLC, не поемаме отговорност за последствията от използването на декларираните стойности, вместо на стойности, отразяващи действителното излагане на въздействие, при индивидуална оценка на риска в ситуация на реално работно място, над която нямаме контрол.

Този инструмент може да причини синдром на вибрации ръка-рамо, ако употребата му не бъде направлявана адекватно. ЕС упътване за управление на вибрации ръка-рамо можете да намерите, като посетите <http://www.pneurop.eu/index.php> и изберете 'Tools' (Инструменти), а след това - 'Legislation'.

Препоръчваме да бъде проведена програма за здравен надзор, чрез която да се определят ранните симптоми, отнасящи се до излагането на шум и вибрации, така че работните процедури да бъдат модифицирани с цел предотвратяване на бъдещи увреждания.

❗ Ако това оборудване е предназначено за фиксиращи приложения:

Емисията на шум е посочена като указание за изработващия машината. Данните за емисиите на шум и вибрации за цялата машина трябва да са посочени в ръководството за потребителя на машината.

Регионални изисквания

⚠ ПРЕДУПРЕЖДЕНИЕ

Този продукт може да ви изложи на контакт с химикали, включително олово, за което в щата Калифорния е известно, че причинява рак и вродени малформации или други вреди по отношение на възпроизводителната способност. За допълнителна информация посетете

<https://www.p65warnings.ca.gov/>

Безопасност

НЕ ИЗХВЪРЛЯЙТЕ – ПРЕДАЙТЕ НА ПОТРЕБИТЕЛЯ

⚠ ПРЕДУПРЕЖДЕНИЕ Прочетете всички предупреждения за безопасност, инструкции, илюстрации и спецификации, предоставени с този електрически инструмент.

Неспазването на всички инструкции, посочени по-долу, може да доведе до токов удар, пожар и/или сериозни наранявания.

Запазете всички предупреждения и инструкции за бъдеща справка.

⚠ ПРЕДУПРЕЖДЕНИЕ Трябва да се спазват всички местни законови разпоредби за безопасност относно инсталация, работа и поддръжка.

Декларация за употреба

- Само за професионална употреба.
- Този продукт и неговите принадлежности не могат да бъдат променяни по какъвто и да е начин.
- Не използвайте този продукт, ако е повреден.
- Ако означенията на данните на продукта или предупрежденията за опасност върху него престанат да бъдат четливи или се откачат, незабавно ги подменете.
- Продуктът трябва да бъде инсталиран, използван и обслужван единствено квалифицирани лица в индустриална среда.

Предназначение

Този продукт е предназначен за отстраняване или полиране на материал чрез използване на абразивни или полиращи приставки. Не се разрешава използването му за други цели.

Общи инструкции за безопасност

ⓘ Допълнителна информация за безопасност за портативни пневматични инструменти:

- CAGI 2528 - B186.1, КОДЕКС ЗА БЕЗОПАСНОСТ ЗА ПОРТАТИВНИ ПНЕВМАТИЧНИ ИНСТРУМЕНТИ, наличен на уебсайта на Global Engineering Documents на <https://global.ihs.com/> or call +1 800 447-2273. Ако срещнете трудности при получаването на стандартите ANSI, моля влезте във връзка с ANSI на следния Интернет адрес: <https://www.ansi.org/>

Рискове при снабдяване с въздух и свързване

- Въздухът под налягане може да причини сериозни наранявания.
- Винаги изключвайте въздухоподаването, освобождавайте маркуча от въздушното налягане и прекъсвайте снабдяването на инструмента с въздух, когато не се използва, преди подмяна на принадлежности или когато се извършва ремонт.
- Никога не насочвайте въздушната струя към себе си или към други.
- Ударът от свободен маркуч може да причини тежки наранявания. Винаги проверявайте маркучите и свързващите елементи за повреда или разхлабване.
- Не използвайте муфи за бързо изключване на инструмента. Прочетете указанията за правилно свързване.
- При използване на универсален винтов съединител е задължително монтирането на фиксиращи щифтове.
- Не превишавайте въздушното налягане от 6,3 бара/90 psig или стойността, която е посочена на фирмената табелка на инструмента.

Проверка на предпазителя за пръсти (функция по избор, направете справка със списъка с резервни части)

- Винаги използвайте препоръчания предпазител за пръсти и проверявайте дали не е повреден.
- Поставете предпазителя за пръсти между ръката си и подложката за шлайфане.
- Уверете се, че предпазителят за пръсти е обезопасен правилно.

Опасности от заплитане

- Стойте настрана от движеща се подложка за шлайфане. Обърнете внимание, че абразивът ще продължи да работи след като вентилът се затвори; при чукове с двойно действие, това може да продължи няколко секунди.
- Ако не държите свободното облекло, ръкавиците, бижутата и косата далеч от инструмента и аксесоарите, това може да доведе до удушаване, скалпиране и/или разкъсвания.

Опасности от летящи частици

- Повреда на приспособлението, абразива или инструмента може да произведе хвърчащи частици с висока скорост. Дори малките частици могат да наранят очите и да причинят ослепяване.

- Винаги носете устойчиви на удар защитни очила и маска за лице по време на или в близост до работа, ремонт или поддръжка на инструмента или когато сменят принадлежностите му.
- Уверете се, че околните носят устойчиви на удар защитни очила и маска за лице.
- Ежедневно измервайте оборотите на въртящия шлайф с тахометър, за да се уверите, че не превишават посочените стойности за RPM върху подложката, барабана или абразива.
- Уверете се, че подложката / абразива е здраво затегнат към шлайфа с помощта на предоставените инструменти.
- Уверете се, че обработваният детайл е здраво захванат.

Опасности, свързани с приспособлението

- При смяна на принадлежностите винаги изключвайте подаването на въздух, освобождавайте маркуча от въздушното налягане и разкачайте машината от системата за подаване на въздух.
- Използвайте само препоръчаните типове и размери шлифоваци повърхности.
- Никога не използвайте подложка, барабан или абразив с разрешена скорост, по-ниска от тази на пневматичния шлайф.
- Никога не монтирайте шлифовъчна шайба или режещ диск на шлайф. При спукване шлифовъчната шайба може да причини сериозно нараняване или смърт, ако не е обезопасена правилно.
- Използвайте само абразивни шлифовъчни шайби или листове с покритие, които са подходящо обезопасени към подложката, предоставена заедно с пневматичния шлайф. Уверете се, че самозакрепващите шлифовъчни шайби са монтирани концентрично.

Опасности при работа

- Персоналът, работещ с инструмента и извършващ неговата поддръжка, трябва да бъде физически годен за работа с размерите, теглото и мощността на инструмента.
- Дръжте инструмента правилно: бъдете готови да реагирате на нормални или внезапни движения – и двете ви ръце трябва да са свободни.
- Можете да се порежете или изгорите, ако влезете в контакт с шлайф подложката, абразива или работната повърхност. Избягвайте контакт и носете подходящи ръкавици, за да предпазите ръцете си.
- Проверявайте подложката преди всяка употреба. Да не се използва, ако е спукана, повредена или е била изпусната.
- Никога не задвижвайте инструмента, ако абразивът не е приложен към обработваното изделие.
- При използване на пластмасови и други непроводими материали съществува риск от електростатичен разряд.
- Когато използвате инструмент, който е проектиран със защитно устройство, това устройство трябва да е поставено, за да осигури защита от шлифовъчен прах или други изрезки.

Опасности от повтарящи се движения

- Когато използва електроинструмент за трудова дейност, операторът може да усети дискомфорт в дланите, ръцете, раменете, врата и други части на тялото.
- Заемете удобна позиция, стъпили стабилно и избягвайки неудобен или небалансиран стоеж. Промяната на стоежа по време на продължителни задачи може да помогне за избягване на дискомфорта и умората.
- Не игнорирайте симптоми като постоянен или повтарящ се дискомфорт, болка, туптене, изтръпване, вкочаняване, изгарящо усещане или схващане. Прекратете работата с инструмента, уведомете работодателя си и се консултирайте с лекар.

Рискове от шум и вибрации

- Високите нива на шум могат да доведат до трайна загуба на слух и други проблеми като шум в ушите. Използвайте защитни средства за слуха съгласно препоръките на вашия работодател или наредбите, свързани със здравето и безопасността на работното място.
- Излагането на вибрация може да доведе до инвалидизиращо увреждане на нервите и кръвоснабдяването към дланите и ръцете. Носете топли дрехи и пазете ръцете си топли и сухи. Ако се появи вкочаненост, изтръпване, болка или побеляване на кожата, спрете употребата на инструмента, уведомете работодателя си и се консултирайте с лекар.
- Дръжте инструмента с лек, но сигурен хват, защото рискът от вибрация обикновено е по-силен, когато силата на захвата е по-голяма. Когато е възможно, поддържайте теглото на инструмента с балансър.
- За да намалите ненужните повишения на нивата на шум и вибрации:
 - Експлоатирайте и поддържайте инструмента и избирайте, поддържайте и подменяйте аксесоарите и консумативите съгласно инструкциите за употреба;
 - Използвайте материали, поглъщащи шума, за да не "звънят" обработваните детайли.

Опасности на работното място

- Подхлъзване/препъване/падане са основните причини за сериозни наранявания или смърт. Внимавайте за дълъг маркуч, оставен на пешеходната зона или в работната зона.
- Избягвайте вдишването на прах или изпарения или боровенето с отломки от работния процес, които могат да доведат до увреждане на здравето (напр. рак, вродени малформации, астма и/или дерматит). Използвайте система за прахоулавяне и носете респираторни предпазни средства, когато работите с материали, отделящи частици, които се носят във въздуха.
- Някои прахове, създадени в резултат на полиране, рязане, точене, пробиване с машина и други строителни дейности, съдържат химикали, които са

познати в щата Калифорния като причинители на рак и вродени малформации или други репродуктивни вреди. Някои примери за такива химикали са:

- Олово от бои на оловна основа
- Тухли и цимент от кристален силициев диоксид и други зидарски продукти
- Арсен и хром от химически обработена гума

Рисковете за вас от излагането на подобни въздействия зависят от това колко често извършвате работа от този вид. За да намалите излагането на тези химикали: работете в добре проветрявано помещение и с одобрена защитна екипировка като защитни маски против прах, изработени специално за филтриране на микроскопични частици.

- При работа в непозната обстановка подхождайте с внимание. Възможно е да съществуват скрити рискове, като напр. електропроводи или други обществени мрежи.
- По принцип избухливи атмосфери могат да бъдат причинени от прах или дим в резултат от полиране или шлифване. Използвайте система за прахоулавяне или отстраняване на праха, която е подходяща за материала, който се обработва.
- Този инструмент не е предназначен за употреба във взривоопасна околна среда и не е изолиран против контакт с електрически източници.

Инструкции за този продукт

Общи инструкции за безопасност при работа

Преди започване на работа

1. Проверка на скоростта на въртене на празен ход
 - Скоростта, измерена при налягане от 6,3 bars / 90 PSIG, не трябва да бъде по-голяма от номиналната скорост, отбелязана върху шлайфа.
 - Отстранете подложката и външния фланец, преди да извършите проверката на скоростта на въртене на празен ход.
 - Правете ежедневни проверки на скоростта на въртене на празен ход, особено ако инструментът не е използван продължително време.
 - Уверете се, че маркировката за скорост на инструмента е четлива.
 - Отнесете инструмента за ремонт в случай на превишаване на скоростта.
2. Проверка на спусъка
 - Уверете се, че спусъкът работи правилно.
 - Подменете спусъка, ако не работи правилно.
 - Никога не отстранявайте спусъка и не го блокирайте с лепенка.

3. Проверка на максималната скорост
 - Уверете се, че описаната максимална скорост на подложката и абразивния лист е по-голяма или равна на скоростта, посочена на шлайфа.
4. Проверка на подложката
 - Уверете се, че подложката не е пропукана или повредена.
 - Уверете се, че подложката е с необходимия размер на отвора и че е монтирана правилно върху шпиндела, за да се избегнат вибрации от дебаланс.
 - Незабавно свалете и подменете повредената подложка.
5. Проверка на фланеца и подложката
 - Винаги изключвайте притока на въздух, когато сменяте подложката или абразивния лист, или когато регулирате инструмента.
 - Уверете се, че комбинациите фланец и подложка отговарят на националните разпоредби.
 - Уверете се, че фланецът е чист и не е повреден.
 - Затягайте фланеца с препоръчания въртящ момент.
 - Изпробвайте шлайфа в защитена зона, след като сглобите подложката.
 - Уверете се, че шлайфът работи правилно.
6. Лични предпазни средства:

Уверете се, че операторите използват:

- Защитни средства за очите, очила или визьор.
- Антифони
- Ръкавици
- Обувки със стоманени бомбета
- Защитно облекло, напр. кожена престилка.
- Каска (за работа с по-тежки предмети)
- Не използвайте свободно облекло, не работете с пусната коса или висящи бижута (има риск от захващане).

7. Работно място

Погрижете се в работното ви пространство да няма други лица, за да не пострада някой.

- Хората, намиращи се в близост, трябва да носят защитни средства за слуха и очите.
- Уверете се, че в помещенията има осигурени вентилация и прахоулавяне в достатъчна степен.
- Уверете се, че на разположение има стойка или място, на които да оставите безопасно инструмента.
- Работете в отделена среда, ако е възможно с предпазни стени. Съществува риск от излитане на счупени подложки.

По време на работа

Спрете да използвате инструмента, ако чувате неопишуемо шумни звуци и вибрации.

Не модифицирайте инструмента и неговите принадлежности по какъвто и да е начин.

Работа

Инсталиране / работа

Направете справка със схема №3.

1. Винаги проверявайте дали машината е изключена от електрическата мрежа, за да предотвратите случайно задействане.
2. Прикрепвайте аксесоарите към инструмента правилно. Използвайте блокировка на шпиндела (1) за помощ при подмяна на аксесоарите.
3. Осигурете приток на чист и сух въздух към устройството.
4. Коригирайте регулатора на въздушното налягане, така че да отразява 6,3 bar / 90 PSIG на инструмента.
5. Използвайте смазочно средство за въздуховоди с масло SAE №10, настроено да отделя две капки на минута.
6. За да стартирате машината, отключете и натиснете предпазния лост (2). Освободете предпазния лост за спиране.

Въртене на ръкохватката

Направете справка със схема №4.

1. Винаги проверявайте дали машината е изключена от електрическата мрежа, за да предотвратите случайно задействане.
2. Отстранете ръкохватката (1).
3. Свалете винта (2).
4. Завъртете скобата (3) в желаната посока.
5. Затегнете винта (2).
6. Монтирайте ръкохватката (1).

След приключване на работа

⚠ ПРЕДУПРЕЖДЕНИЕ Времето за спиране може да е по-дълго от 5 секунди.

- ▶ Уверете се, че инструментът е изключен и е напълно спрял, преди да го оставите.
- ▶ Времето за спиране зависи от използвания абразив.

Оставете внимателно инструмента, за да сте сигурни, че той няма да стартира сам/от само себе си.

Сервизно обслужване и поддръжка

Инструкции за поддръжка

- Спазвайте разпоредбите в областта на околната среда на съответната страна за безопасна работа и изхвърляне на всички компоненти.
- Работите по техническото обслужване и ремонта трябва да се извършват от квалифициран персонал, който използва само на оригинални резервни части. Свържете се с производителя или с най-близкия

официален търговски представител за съвети за техническо обслужване или ако се нуждаете от резервни части.

- Винаги проверявайте дали машината е изключена от електрическата мрежа, за да предотвратите случайно задействане.
- Разглобявайте и проверявайте инструмента на всеки 3 месеца (500 часа), ако той се използва всеки ден. Подменяйте всички повредени или износени части
- За да сведете до минимум времето, в което инструментът не е в употреба, ви препоръчваме следния комплект за техническо обслужване:
Комплект за настройка

Изхвърляне

- При изхвърляне на това оборудване трябва да се спазва законодателството на съответната страна.
- Всички повредени, износени или неправилно функциониращи устройства **ТРЯБВА ДА БЪДАТ СПРЕНИ ОТ УПОТРЕБА.**

Полезна информация

Страница с информация, свързана с безопасността

Страниците с данните, свързани с безопасността, описват химическите продукти, продавани от Chicago Pneumatic.

Моля, консултирайте се с уебстраницата на Chicago Pneumatic за допълнителна информация qr.cp.com/sds.

Страна на произход

Hungary

Уебсайт

Информация относно нашите продукти, аксесоари, резервни части и публикации можете да намерите на уебстраницата на Chicago Pneumatic.

Моля, посетете: www.cp.com.

Авторско право

© Copyright 2023, CHICAGO PNEUMATIC Tool Co.LLC, 1815 Clubhouse Road, Rock Hill, SC 29730 - USA

Всички права запазени. Забранява се всяко неразрешено използване или копиране на съдържанието или част от него. Това се отнася в частност за търговски марки, названия на модела, номера на части и чертежи. Използвайте само оригинални резервни части. Повреди или неизправности вследствие на употреба на неоригинални части не се покриват от гаранцията или отговорността за вреди, причинени от продукта.

Tehnički podaci

Podaci o alatu

Modeli	Slobodna brzina (okr/min)	Težina (kg)	Težina (lb)
CP3650-120AB	12000	1.8	4
CP3650-120AA	12000	1.8	4
CP3650-085AB	8500	1.8	4
CP3650-085AA	8500	1.8	4
CP3650-075AB	7500	1.8	4

Maksimalni radni tlak

6.3 bar / 90 psig

Izjave

EU izjava o sukladnosti

Mi, CHICAGO PNEUMATIC Tool Co.LLC, 1815 Clubhouse Road, Rock Hill, SC 29730 - USA, izjavljujemo pod vlastitom odgovornošću da je proizvod (naziv, tip i serijski broj, vidi naslovnu stranu) u skladu sa sljedećom(im) direktivom(ama):

2006/42/EC (17/05/2006)

Primijenjene usklađene norme:

EN ISO 11148-8:2011

Nadležna tijela mogu zahtijevati relevantne tehničke podatke od:

Pascal Roussy, R&D Manager, Ets Georges Renault, 38 rue Bobby Sands, BP10273 44818 Saint Herblain, France

Saint-Herblain, 2023/06/05

Pascal ROUSSY



Potpis

Izjava o buci i vibracijama

Razina zvuka - ISO 15744

Model	L _{pA} dB(A)	L _{WA} dB(A)
CP3650-120AB	93	104
CP3650-120AA	93	104
CP3650-085AB	93	104
CP3650-085AA	93	104
CP3650-075AB	90	101

L_{pA} dB(A): razina zvučnog tlaka

L_{WA} dB(A): razina zvučne snage

K / K_{pA} = K_{WA} = 3 dB: odstupanje

Razina vibracija - IISO 28927-2

Model	Vibracija (m/s ²)
CP3650-120AB	2.6

Model	Vibracija (m/s ²)
CP3650-120AA	2.6
CP3650-085AB	2.3
CP3650-085AA	2.3
CP3650-075AB	2

Ovdje navedene vrijednosti dobivene su ispitivanjima u laboratoriju u skladu s navedenim normama i prikladne su za usporedbu s navedenim vrijednostima drugih alata ispitanih u skladu s istim normama. Ovdje navedene vrijednosti nisu prikladne za uporabu u analizama rizika, a vrijednosti izmjerene na pojedinačnim radnim mjestima mogu biti veće. Stvarne vrijednosti izlaganja i rizik od štetnosti koja može postojati za pojedinačnog korisnika su jedinstvene i ovise o načinu rada korisnika, radnom komadu i konstrukciji radne stanice te o vremenu izlaganja i fizičkom stanju korisnika.

Mi, CHICAGO PNEUMATIC Tool Co.LLC, ne možemo se smatrati odgovornima za posljedice uporabe navedenih vrijednosti umjesto vrijednosti koje odražavaju stvarno izlaganje u pojedinačnoj procjeni rizika na radnom mjestu nad kojim nemamo nadzor.

Ovaj alat može izazvati sindrom vibriranja ruke ako se njime ne rukuje na odgovarajući način. Vodič EU-a o upravljanju vibriranjem ruke možete pronaći tako da pristupite <http://www.pneurop.eu/index.php> i odaberete 'Tools (Alati)', a zatim 'Legislation (Zakonodavstvo)'.

Preporučujemo program nadzora zdravlja da se uoče rani simptomi koji mogu biti povezani s izlaganjem buci ili vibracijama tako da se mogu izmijeniti postupci upravljanja vibracijama kako bi se spriječilo buduće oštećenje zdravlja.

- ⓘ Ova oprema namijenjena je za postupke pričvršćivanja: Emisije buke navedene su kao vodič projektantima strojeva. Podaci o emisiji buke i vibracija za cijeli stroj trebaju se navesti u uputama za uporabu stroja.

Lokalni uvjeti

⚠ POZOR

Ovaj proizvod može vas izložiti kemikalijama, uključujući olovo, a prema državi Kaliforniji, olovo može prouzročiti rak i urođene mane ili druge probleme spolnog sustava. Za više informacija idite na

<https://www.p65warnings.ca.gov/>

Sigurnost

NE BACAJTE – PREDAJTE KORISNIKU

- ⚠ POZOR Pročitajte sva sigurnosna upozorenja, sve upute, ilustracije i specifikacije isporučene uz ovaj električni alat.

Ako se ne pridržavate svih dolje navedenih uputa, može doći do strujnog udara, požara i/ili teške ozljede.

Spremite sva upozorenja i sve upute za buduću uporabu.

- ⚠ POZOR Uvijek se morate pridržavati lokalnih zakonskih sigurnosnih propisa o ugradnji, radu i održavanju.

Izjava o uporabi

- Samo za profesionalnu uporabu.
- Ovaj proizvod i njegov pribor ne smiju se mijenjati ni na koji način.
- Ne upotrebljavajte ovaj proizvod ako je bio oštećen.
- Ako podaci o proizvodu ili znakovi upozorenja o opasnosti na proizvodu više nisu čitljivi ili otpadnu, odmah ih zamijenite.
- Rukovanje proizvodom, te njegovo ugrađivanje i servisiranje je dozvoljeno samo kvalificiranom osoblju u industrijskom okruženju.

Pravilna uporaba

Ovaj je proizvod projektiran za uklanjanje ili poliranje materijala primjenom obloženih brusnih ploča ili priključaka za poliranje. Nije dopuštena druga uporaba.

Opće sigurnosne upute**i Dodatne sigurnosne informacije u vezi sa prijenosnim pneumatskim alatima:**

- CAGI 2528 - B186.1, SIGURNOSNE SMJERNICE ZA PRIJENOSNE PNEUMATKSE ALATE, dostupne su u Global Engineering Documents na <https://global.ihs.com/> ili nazovite +1 800 447-2273. U slučaju poteškoća s pribavljanjem ANSI standarda, kontaktirajte ANSI na <https://www.ansi.org/>

Opskrba zrakom i opasnosti pri spajanju

- Zrak pod tlakom može prouzročiti teške ozljede.
- Uvijek zatvorite dovod zraka, ispustite tlak iz crijeva i odspojite alat s dovoda zraka kada se on ne upotrebljava, prije zamjene pribora ili pri popravcima.
- Nikada ne usmjeravajte zrak izravno prema sebi ili drugima.
- Nekontrolirano pomicanje crijeva može prouzročiti teške ozljede. Uvijek provjerite jesu li crijeva i priključci oštećeni ili labavi.
- Nemojte upotrebljavati brze spojnice na ovom alatu. Vidi upute za pravilno postavljanje.
- Uvijek kada se upotrebljavaju univerzalne zakretne spojnice, moraju biti instalirani zaporni klinovi.
- Nemojte prekoračiti maksimalni tlak zraka od 6,3 bara/90 psi ili onaj koji je naveden na nazivnoj pločici alata.

Provjera štitnika za prste (dodatna značajka, pogledajte popis rezervnih dijelova)

- Upotrebljavajte preporučeni štitnik za prste i pobrinite se da ne bude oštećen.
- Stavite štitnik za prste između ruke i brusne podloške.
- Provjerite je li štitnik za prste pravilno obezbjeđen.

Opasnosti od zahvaćanja pokretnim dijelovima

- Držite se daleko od pokretne ploče s brusnim papirom. Uzmite u obzir da brusna ploča nastavlja raditi kada se zatvori ventil za pokretanje; u brusilica s dvostrukim mehanizmom to može trajati nekoliko sekundi.

- Može doći do gušenja, čupanja kose i/ili porezotina ako ne držite labavu odjeću, rukavice, nakit, ogrlice i kosu podalje od alata i njegovih priključaka.

Opasnosti od projektila

- Ako zakaže pribor ili brusna ploča ili ako zakaže radni komad, mogu nastati projektili velike brzine. Čak i sitni projektili mogu ozlijediti oči i uzrokovati sljepoću.
- Uvijek nosite zaštitu za oči i lice otpornu na udarce kada se nalazite u blizini mjesta rada ili radite alatom, pri popravcima i održavanju alata ili kada mijenjate pribor na alatu.
- Uvjerite se da sve druge osobe u blizini nose štitnike za oči i lice otporne na udarce.
- Svakodnevno tahometrom mjerite brzinu okretne brusilice ili alata za poliranje kako biste osigurali da nije veća od broja okr/min označenoga na podložnoj ploči, bubnju ili brusnoj ploči.
- Osigurajte da podložna ploča/brusna ploča bude dobro pričvršćena na brusilicu primjenom isporučenih alata.
- Pazite da radni komad bude dobro pričvršćen.

Opasnosti od pribora

- Uvijek zatvorite dovod zraka, ispustite tlak iz crijeva i odspojite alat s dovoda zraka prije nego što zamijenite pribor.
- Upotrebljavajte samo preporučene veličine i vrste abraziva.
- Nikada ne upotrebljavajte podložnu ploču, bubanj ili brusnu ploču ako je dopuštena brzina manja od brzine pneumatske brusilice.
- Nikada ne montirajte brusnu ili reznju ploču na ovu brusilicu. Pucanje brusne ploče može prouzročiti ozbiljne ozljede ili smrt ako ona nije pravilno zaštićena.
- Upotrebljavajte samo obložene brusne ploče ili limove koji su ispravno osigurani na podložnoj ploči isporučenoj uz pneumatsku brusilicu. Osigurajte da samoučvršćujuće brusne ploče budu koncentrično ugrađene.

Opasnosti pri radu

- Rukovatelji i osoblje za održavanje moraju biti u stanju fizički podnijeti veličinu, težinu i snagu ovog alata.
- Držite ispravno alat: Budite spremni reagirati na normalne ili iznenadne pokrete i držite obje ruke spremnima.
- Moguće su posjekotine, uklještenja ili opekline ako dođete u kontakt s brusnom podloškom, brusnom pločom ili radnom površinom. Izbjegavajte kontakt i nosite odgovarajuće zaštitne rukavice.
- Provjerite podložnu ploču prije svake uporabe. Ne upotrebljavajte je ako je napuknuta ili slomljena ili ako je ispuštena.
- Nikada ne uključujte alat ako se brusna ploča ne primjenjuje na radni komad.
- Postoji opasnost od elektrostatickog pražnjenja ako se upotrebljava na plastičnim ili drugim neprovodljivim materijalima.
- Kada upotrebljavate alat koji je projektiran sa štitnikom, štitnik mora biti na svojem mjestu kako bi pružio zaštitu od od brusnih komadića ili letećih ostataka.

Opasnosti od ponavljanih kretnji

- Kada upotrebljava pneumatski alat da obavlja aktivnosti u okviru posla, rukovatelj može osjetiti neugodu u rukama, ramenima, vratu ili drugim dijelovima tijela.
- Zauzmite udoban položaj, zadržavajući siguran stav i izbjegavajući neprikladne položaje ili položaje koji su van ravnoteže. Promjena položaja tijekom izvođenja dugotrajnih zadataka može pomoći izbjegavanju osjećaja neugode i umora.
- Nemojte zanemarivati simptome poput stalne ili ponavljajuće neugode, boli, pulsiranja, bolnosti, trnjenja, neosjetljivosti, osjećaja pečenja ili krutosti. U tom slučaju prestanite koristiti alat, obavijestite svojeg poslodavca i potražite savjet liječnika.

Opasnosti od buke i vibracija

- Visoka razina buke može izazvati trajno oštećenje sluha i druge probleme kao npr. tinitus. Upotrijebite zaštitu za uši prema preporukama poslodavca ili u skladu s propisima o sigurnosti na radu i zaštiti zdravlja.
- Izlaganje vibracijama može dovesti do oštećivanja živaca i sprječavanja dotoka krvi do šaka i ruka. Nosite toplu odjeću i čuvajte ruke toplima i suhima. Ako se pojavi ukočenost, zujanje u ušima, bol ili bijeljenje kože, prestanite s uporabom alata, obavijestite svojeg poslodavca i potražite savjet liječnika.
- Držite alat laganim, ali čvrstim prihvatom, jer je opasnost od vibracija u pravilu veća ako je sila prihvata veća. Kada je to moguće poduprite težinu alata podupiračem.
- Da spriječite nepotrebno povećanje razine buke i vibracija:
 - Upotrebljavajte i održavajte alat te odaberite, održavajte i mijenjajte pribor i potrošni materijal u skladu s ovim uputama za uporabu.
 - Upotrebljavajte prigušni materijal da spriječite zvonjavu radnih komada.

Opasnosti na radnom mjestu

- Klizanje, spoticanje i pad glavni su uzroci teški ozljeda ili smrti. Pazite na višak crijeva koje je ostavljeno na prolaznoj ili radnoj površini.
- Izbjegavajte udisanje prašine ili dima ili rukovanje ostacima iz radnog procesa koji mogu ugroziti zdravlje (na primjer, uzrokovati rak, urođene mane, astmu i/ili dermatitis). Upotrijebite opremu za uklanjanje prašine i nosite zaštitnu opremu za disanje kada radite s materijalima koji stvaraju čestice u zraku.
- Neke prašine koje nastaju brušenjem brusnim papirom, rezanjem, brušenjem, bušenjem ili drugim proizvodnim aktivnostima sadrže kemikalije koje su u državi Kaliforniji poznate kao izazivači raka i urođenih mana ili štetno djeluju na reproduktivnost. Neki primjeri takvih kemikalija su:
 - Olovo od boja na bazi olova
 - Cigle od silikatnih materijala, cement i drugi zidarski proizvodi
 - Arsen i krom iz kemijski tretirane gume

Vaš rizik od ovih izlaganja mijenja se ovisno o načinu na koji obavljate ovu vrstu posla. Da smanjite svoju izloženost ovim kemikalijama: Radite u dobro provjetra-

vanim područjima i radite s odobrenom sigurnosnom opremom kao što su maske za zaštitu od prašine koje su posebno projektirane da filtriraju mikroskopske čestice.

- U nepoznatim sredinama radite pažljivo. Mogu postojati skrivene opasnosti kao što su električna energija ili druge instalacije.
- Potencijalno eksplozivne sredine mogu nastati zbog prašine i para koje se stvaraju kod finog brušenja brusnim papirom ili brušenja. Uvijek koristite sustave za uklanjanje ili smanjenje prašine koji su prikladni za obrađivani materijal.
- Ovaj alat nije namijenjen uporabi u potencijalno eksplozivnim atmosferama i nije izoliran u slučaju kontakta s električnom strujom.

Upute specifične za proizvod

Opća radna sigurnost

Prije početka rada

1. Provjera slobodne brzine
 - Brzina izmjerena pri tlaku od 6,3 bara/90 PSIG ne smije prekoračiti procijenjenu brzinu označenu na brusilici.
 - Uklonite podložnu ploču i vanjsku prirubnicu prije provjere slobodne brzine.
 - Dnevno obavljajte provjere slobodne brzine, posebno nakon dugog razdoblja izvan uporabe.
 - Pazite da oznaka o brzini bude čitljiva na alatu.
 - Vratite alat radi popravka kada je na previsokoj brzini.
2. Provjera okidača
 - Uvjerite se da okidač radi ispravno.
 - Zamijenite okidač ako ne radi ispravno.
 - Nikada ne uklanjajte okidač niti ga blokirajte trakom.
3. Provjera maksimalne brzine
 - Pazite da navedena maksimalna brzina podložne ploče i abrazivnog lima bude veća od brzine navedene na brusilici ili da bude jednaka toj brzini.
4. Provjera podložne ploče
 - Pazite da podložna ploča ne bude napuknuta ili oštećena.
 - Uvjerite se da podložna ploča ima ispravne veličine rupa i mora biti ispravno postavljena na vreteno da spriječite neuravnotežene vibracije.
 - Odmah uklonite i zamijenite oštećenu podložnu ploču.

5. Provjera prirubnice i podložne ploče
 - Uvijek odspojite opskrbu zrakom kada mijenjajte ploču ili abrazivni lim ili kada namještate alat.
 - Pazite da kombinacije prirubnice i ploče budu u skladu s nacionalnim propisima.
 - Pazite da prirubnica bude čista i neoštećena.
 - Pričvrstite prirubnicu primjenom preporučenog priteznog momenta.
 - Probno pokrenite brusilicu u zaštićenom području nakon sastavljanja podložne ploče.
 - Uvjerite se da brusilica radi ispravno.
6. Osobna zaštitna oprema:

Pobrinite se da operateri koriste:

 - Štitnike za oči, naočale ili vizir
 - Štitnike za uši
 - Rukavice
 - Čelične cipele sa zaštitom prstiju
 - Zaštitnu odjeću, npr. kožnu pregaču.
 - Kacigu (za teže uvjete rada)
 - Nemojte koristiti labavo viseću odjeću, kosu i nakit (opasnost od zaglavlivanja).
7. Područje rada

Pazite da u području rada ne bude drugih osoba tako da se nitko ne može ozlijediti.

 - Osobe u blizini moraju nositi štitnike za uši i oči.
 - Pobrinite se da postoji dovoljna ventilacija i uklanjanje prašine u objektima.
 - Pobrinite se da je dostupan stalak ili mjesto za sigurno stavljanje alata.
 - Radite unutar zatvorenog područja, po mogućnosti sa zaštitnim zidovima. Postoji opasnost od izbacivanja slomljenih podložnih ploča.

Za vrijeme rada

Prekinite uporabu alata ako se za vrijeme uporabe pojave nenormalna buka i vibracije.

Ovaj alat i njegov pribor ne smiju se mijenjati ni na koji način.

Rad uređaja

Ugradnja / Rukovanje

Pogledajte Shemu 3.

1. Uvijek se uvjerite da je stroj isključen iz izvora napajanja kako biste izbjegli neželjeno uključivanje.
2. Pravilno postavite dodatke na stroj. Za zamjenu pribora koristite gumb za blokadu vretena (1).
3. Spojite uređaj na čist i suh dovod zraka.
4. Podesite regulator tlaka zraka da na alatu ima 6,3 bara /90 PSIG.
5. Uporabite podmazivač zračnog voda s uljem SAE #10, podešen na dvije kapljice u minuti.

6. Za pokretanje stroja, otključajte i pritisnite sigurnosnu polugu (2). Za zaustavljanje otpustite sigurnosnu polugu.

Okretanje ručke

Pogledajte Shemu 4.

1. Uvijek se uvjerite da je stroj isključen iz izvora napajanja kako biste izbjegli neželjeno uključivanje.
2. Uklonite ručku (1).
3. Uklonite vijak (2).
4. Okrenite držač (3) u željeni položaj.
5. Pritegnite vijak (2).
6. Ugradite ručku (1).

Nakon završetka rada

⚠ POZOR Vrijeme zaustavljanja može biti dulje od 5 sekundi.

- ▶ Pazite da isključite alat i da ga potpuno zaustavite prije polaganja.
- ▶ Vrijeme zaustavljanja zavisi od rabljene brusne ploče.

Pažljivo odložite alat kako biste osigurali da se alat neće pokrenuti sam od sebe.

Servisiranje i održavanje

Upute za održavanje

- **Pridržavajte se ekoloških propisa dotične zemlje u vezi sa sigurnim rukovanjem i odlaganjem svih komponenti.**
- Održavanje i popravak mora izvesti kvalificirano osoblje koristeći samo originalne pričuvne dijelove. Obratite se proizvođaču ili najbližem ovlaštenom trgovcu za savjet, tehničku podršku ili zamjenske dijelove.
- Uvijek se uvjerite da je stroj isključen iz izvora napajanja kako biste izbjegli neželjeno uključivanje.
- Rastavite i pregledajte alat svaka 3 mjeseca (500 sati) ako ga koristite svakodnevno. Zamijenite oštećene ili istrošene dijelove.
- Kako biste vrijeme zastoja skratili na najmanju moguću mjeru, preporučuje se sljedeći servisni komplet: **Komplet za podešavanje**

Zbrinjavanje

- Pri odlaganju ove opreme potrebno je pridržavati se zakona dotične zemlje.
- Sve oštećene, jako istrošene i uređaje koji ne funkcioniraju pravilno **TREBA POVUĆI IZ UPORABE.**

Korisne informacije

Sigurnosno-tehnički list

Sigurnosno-tehnički list opisuje kemijske proizvode koje prodaje Chicago Pneumatic.

Za više informacija o tvrtki Chicago Pneumatic posjetite web stranicu qr.cp.com/sds.

Zemlja podrijetla

Hungary

Web stranica

Informacije o proizvodima, priboru, zamjenskim dijelovima i izdanjima možete pronaći na našoj internetskoj stranici Chicago Pneumatic.

Posjetite web mjesto: www.cp.com.

Autorsko pravo

© Autorsko pravo 2023, CHICAGO PNEUMATIC Tool Co.LLC, 1815 Clubhouse Road, Rock Hill, SC 29730 - USA

Sva su prava pridržana. Zabranjena je svaka neovlaštena uporaba ili kopiranje sadržaja ili njegovog dijela. To se posebno odnosi na zaštitne znakove, oznake modela, brojeve dijelova i crteže. Upotrebljavajte samo odobrene dijelove. Svako oštećenje ili svaki kvar izazvan uporabom neodobrenih dijelova nije obuhvaćen jamstvom ili odgovornošću za proizvod.

Tehnilised andmed

Tööriista andmed

Mudelid	Vabakäiguki- irus (p/min)	Kaal (kg)	Kaal (naela)
CP3650-120AB	12000	1.8	4
CP3650-120AA	12000	1.8	4
CP3650-085AB	8500	1.8	4
CP3650-085AA	8500	1.8	4
CP3650-075AB	7500	1.8	4

Max töö rõhk

6.3 bar / 90 psig

Deklaratsioon

ELi vastavusdeklaratsioon

Meie, CHICAGO PNEUMATIC Tool Co.LLC, 1815 Clubhouse Road, Rock Hill, SC 29730 - USA, deklareerime oma täielikul vastutusel, et toode (mille nime, tüübi ja seerianumbri leiate esilehelt) on vastavuses järgmis(t)e direktiivi(de)ga:

2006/42/EC (17/05/2006)

Kohalduvad ühtlustatud standardid:

EN ISO 11148-8:2011



Ametiasutused võivad nõuda asjakohast tehnilist teavet, mille peab saatma:

Pascal Roussy, R&D Manager, Ets Georges Renault, 38 rue Bobby Sands, BP10273 44818 Saint Herblain, France

Saint-Herblain, 2023/06/05

Pascal ROUSSY

Allkiri

Müra- ja vibratsioonialane deklaratsioon

Müratase – ISO 15744

Mudel	L _{pA} dB(A)	LWA dB(A)
CP3650-120AB	93	104
CP3650-120AA	93	104
CP3650-085AB	93	104
CP3650-085AA	93	104
CP3650-075AB	90	101

L_{pA} dB(A): helirõhu tase

LWA dB(A): helivõimsuse tase

K / K_{pA} = KWA = 3 dB: määramatus

Vibratsioonitase – ISO 28927-2

Mudel	Vibratsioon (m/s ²)
CP3650-120AB	2.6
CP3650-120AA	2.6
CP3650-085AB	2.3
CP3650-085AA	2.3
CP3650-075AB	2

Deklareeritud väärtused on saadud kehtivate standardite järgi läbi viidud tüübikatsetuste tulemusena ja on sobivad samade standardite kohaselt katsetatud muude tööriistade deklareeritud väärtustega võrdlemiseks. Käesolevad deklareeritud väärtused pole piisavad kasutamiseks riskihindamisel, samuti võivad konkreetsetel töökojal mõõdetud väärtused osutada suuremaks. Iga konkreetse kasutaja puhul on tegelikud kahjulike mõjurite väärtused ja riskitase erinevad, sõltudes kasutaja töövõtetest, töödeldavast detailist ja töökoja korraldusest, samuti mõjurite toimeaja kestusest ja kasutaja füüsilisest seisundist.

Meie, CHICAGO PNEUMATIC Tool Co.LLC, ei vastuta tagajärgede eest, kui kasutatakse deklareeritud väärtusi, mitte tegelikke andmeid, mis vastavad tegelikule kokkupuutele konkreetsetes ohuhinnangus töökoja olukorras, mille üle meil puudub kontroll.

See tööriist võib põhjustada käe ja käsivarre vibratsioonisündroomi, kui selle kasutamist asjakohaselt ei hallata. ELi juhised kätele mõjuva vibratsiooniga toime tulemiseks leiate, kui külastate veebilehte <http://www.pneurop.eu/index.php> ning valite "Tools" ja seejärel "Legislation".

Soovitame regulaarselt tervist kontrollida, et tuvastada vibratsioonist tingitud haiguste varajasi sümptomeid. Selle põhjal tuleb juhtimistoiminguid kohandada nii, et need aitaksid ennetada võimalikke edaspidiseid tervisekahjustusi.

- i** Kui antud seadet kasutatakse kinnitatud rakendustes: Masinootja poolt antud müraemissioon on indikatiivne. Komplektse masina müra- ja vibratsiooniemissiooni andmed peavad olema välja toodud masina kasutusjuhendis.

Piirkondlikud nõuded

! HOIATUS

Selle toote kasutamisel võite kokku puutuda kemikaalide, sh pliiga, mis põhjustab California osariigile teadolevatel andmetel vähki ja sünnidefekte või muud reproduktiivset kahju. Lisateabe saamiseks külastage veebilehte

<https://www.p65warnings.ca.gov/>

Ohutus

ÄRGE VISAKE ÄRA – ANDKE KASUTAJALE

! HOIATUS Tutvuge kõigi mootortööriista juurde kuuluvate hoiatuste, juhiste, illustratsioonide ja tehniliste andmetega.

Allpool toodud juhiste eiramine võib tuua kaasa elektrilöögi, tulekahju ja/või tõsise kehavigastuse.

Hoidke kõik hoiatused ja juhised hilisemaks uuesti läbivaatamiseks alles.

! HOIATUS Kõikidest paigaldamist, kasutamist ja hooldamist käsitlevatest kohalikest kehtivatest ohutuseeskirjadest tuleb kogu aeg kinni pidada.

Lubatud kasutamine

- Ainult professionaalseks kasutamiseks.
- Käesolevat toodet ega selle lisaseadmeid ei tohi muuta.
- Ärge kasutage kahjustatud toodet.
- Kui tootel asuvad nimikiiruse või ohuhoiatuse märgid muutuvad loetamatuks või tulevad küljest, asendage need kohe uutega.
- Toodet tohib paigaldada, kasutada ja hooldada ainult kvalifitseeritud isik ja ainult tööstuslikus keskkonnas.

Otstarbekohane kasutamine

See toode on mõeldud materjali eemaldamiseks või poleerimiseks kasutades kaetud abrasiivseid või poleerivaid tarvikuid. Muud kasutusviisid on keelatud.

Üldised ohutusjuhised

i Kaasaskantavate suruõhutööriistade täiendav ohutusteave:

- CAGI 2528 - B186.1, KAASASKANTAVATE SURUÕHUTÖÖRIISTADE OHUTUSKOODEKS, saadaval jaotises Global Engineering Documents saidil <https://global.ihs.com/> või helistades +1 800 447 2273. Kui teil on ANSI standardite hankimisega raskusi, võtke ANSIga ühendust aadressil <https://www.ansi.org/>

Õhuvarustuse ja ühendamisega seotud ohud

- Suruõhk võib põhjustada tõsiseid vigastusi.
- Kui seadet ei kasutata, enne lisatarvikute vahetamist või seadme parandamist tuleb alati õhuvarustus kinni keerata, vabastada voolik rõhu alt ning lahutada tööriist õhuvarustusest.
- Ärge suunake õhku enda või ükskõik kelle teise suunas.
- Pekslevad voolikud võivad põhjustada raskeid kehavigastusi. Kontrollige alati, et voolikud ja liitmikud ei oleks viigastatud ega lahti.
- Ärge kasutage tööriista juures kiirühendusega ühendusdetaili. Vaadake õigeks seadistamiseks juhendit.
- Kui kasutatakse universaalseid keeratavaid ühendusdetaili, tuleb paigaldada fiksaatorid.
- Ärge ületage maksimaalset 6,3 bar / 90 psig või tööriista nimiplaadil toodud õhusurvet.

Sõrmekaitse kontrollimine (valikvarustus, vt varuosade loendit)

- Kasutage soovitatavat sõrmekaitset ja veenduge, et see ei oleks kahjustatud.
- Paigutage sõrmekaitse oma käe ja lihvimispadja vahele.
- Kontrollige, kas sõrmekaitse on korralikult kinni.

Takerdumisoht

- Hoidke eemal lihvimispinnast. Pidage meeles, et abrasiiv jätkav töötamist peale käivitusklapi sulgemist; kahetoimeliste lihvijate puhul võib see kesta mitu sekundit.
- Kui tööriistast ja tarvikutest ei hoita eemale lahtisi riideid, kindaid, ehteid, kaelas kantavaid esemeid või juukseid, võib tulemuseks olla lämbumine, skalpeerimine ja/või rebestus.

Lendavatest osakestest tulenevad ohud

- Tarviku või lihvketta või töödeldava eseme rike võib tekitada suure kiirusega lendavaid osakesi. Silmavigastust ja pimedaksjäämist võivad põhjustada isegi väikesed lendavad osakesed.
- Tööriistaga töötamise, selle parandamise ja hooldamise või tarvikute vahetamise ajal või läheduses olles kandke alati löögikindlat silma- ja näokaitset.
- Veenduge, et teised läheduses viibivad isikud kannaksid löögikindlat silma- ja näokaitset
- Mõõtkte iga päev tahhomeetriga pöörleva lihvi kiirust veendumaks, et see pole suurem tagaplaadile, trumlile või lihvijale märgitud pöörete arvust.
- Veenduge, et tagaplaat/abrasiiv oleks kaasasolevate tööriistadega kindlalt lihvijale kinnitatud.
- Veenduge, et toorik oleks kindlalt kinnitatud.

Tarvikuga seotud ohud

- Enne lisatarvikute vahetamist tuleb õhuvarustus alati kinni keerata, vabastada voolik rõhu alt ning lahutada tööriist õhuvarustusest.
- Kasutage üksnes soovitatud mõõdu ja tüübiga abrasiive.
- Ärge kasutage tagaplaati, trumlit või lihvijat, mille lubatud kiirus on õhklhviija kiirusest väiksem.

- Ärge kinnitage lihvijale lihvimis- või löikeketast. Plahvatav lihvketas võib põhjustada tõsiseid vigastusi või surma, kui see pole õigesti varjatud.
- Kasutage ainult õhklühvijaga kaasas olevale tagaplaadile nõuetekohaselt kinnitatud kaetud abrasiivseid lihvlehti või lihvimiskettaid. Veenduge, et kõik isekinnituvad lihvimiskettad oleksid kinnitatud kontsentriselt.

Kasutamise seotud ohud

- Operaatorid ning hooldustehnikud peavad olema füüsiliselt võimelised käsitsema tööriista suurust, kaalu ja võimsust.
- Hoidke tööriista õigesti: olge valmis normaalsetele või ootamatutele liikumistele vastu tegutsema. Olge valmis kasutama mõlemat kätt.
- Lihvimispadja, abrasiivi või tööpinnaga kokkupuutumisel on oht endale sisse lõigata, pitsitatud või põletada saada. Vältige kokkupuutumist ning kandke käte kaitsmiseks sobivaid kindaid.
- Kontrollige tagaplaati enne iga kasutamist. Ärge kasutage plaati, kui see on mõranenud, purunenud või maha kukkunud.
- Ärge lülitage tööriista sisse enne, kui abrasiiv on kantud töödeldavale esemele.
- Kasutamisel plastil ja muudel voolu mittejuhtivatel materjalidel võib tekkida elektrostaatiline laeng.
- Kui kasutate tööriista, millele on ettenähtud kaitse, tuleb kaitse oma kohale kinnitada, et kaitsta lihvimisel tekkinud metalliosakeste ja muu prahi eest.

Korduva liigutusega seotud ohud

- Mootortööriistaga töötades võib operaator kogeda kätes, käsivartes, õlgades, kaelas ning teistes kehaosades ebamugavustunnet.
- Võtke võimalikult mugav ja samas kindel asend ning hoiduge ebaloomulikest või tasakaalust väljas olevatest asenditest. Pikemate toimingute ajal võib asendi muutmine aidata vältida ebamugavustunnet ja väsimust.
- Ärge ignoreerige selliseid sümptomeid nagu püsiv või korduv ebamugavustunne, valu, tuikamine, surin, tuimus, põletustunne või kangus. Lõpetage tööriista kasutamine, rääkige oma tööandjaga ja pidage nõu arstiga.

Müra ja vibratsiooniga seotud ohud

- Vali heli võib põhjustada püsivat kuulmiskaotust või teisi probleeme, näiteks kõrvade kumisemist. Kasutage oma tööandja või tervishoiu ja -ohutuse eeskirjadega ettenähtud kuulmiskaitsevahendeid.
- Kokkupuude vibratsiooniga või põhjustada käte ja käsivarte närvidele ja verevarustusele vigastavaid kahjustusi. Kandke sooje riideid ning hoidke oma käed soojade ja kuivadena. Kui täheldate tuimust, surinat, valu või naha kahvatuks muutumist, lõpetage tööriista kasutamine, rääkige oma tööandjaga ja võtke ühendust arstiga.
- Hoidke tööriista kerges, kuid kindlas haardes, kuna tugevalt haaramise korral on vibratsioonioht tavaliselt suurem. Võimaluse korral toetage tasakaalustaja abil tööriista raskust.
- Müra- ja vibratsioonitasemete mittevajalike tõusude vähendamine.

- Kasutage ja hooldage tööriista ning valige, hooldage ja vahetage tarvikuid ja kulumaterjale kooskõlas käesoleva kasutusjuhendiga.
- Kasutage summutavaid materjale, et töödeldavad esemed ei hakkaks „tirisema“.

Töökohaga seotud ohud

- Libisemine, komistamine või kukkumine on peamised kehavigastuste või surma põhjused. Pange tähele kõndimisalale või tööpinnale vedelema jäänud voolikut.
- Väلتige tööprotsessi käigus tekkiva tolmu või suitsu sissehingamist või prahi käsitlemist, kuna see võib olla tervist kahjustav (põhjustades nt vähki, sünnidefekte, astmat ja/või dermatiiti). Kasutage lendavaid osakesi tekitavate materjalidega töötamisel tolmuärastust ja kandke hingamisteid kaitsvat varustust.
- Osa mootorseadmega lihvimisel, saagimisel, puurimisel ja teiste ehitustööde käigus tekkivat tolmu sisaldab kemikaale, mis California osariigile teada olevatel andmetel põhjustab vähki ja sünnidefekte või muud reproduktiivset kahju. Mõned selliste kemikaalide näited on järgmised.
 - Pliipõhistes värvides sisalduv plii.
 - Kristalse räni tellised ja tsement ning teised müüritistooted.
 - Keemiliselt töödeldud kummis sisalduv arseen ja kroom.

Sellise kokkupuute ohtlikkus oleneb sellest, kui tihti te sellist tööd teete. Nende kemikaalidega kokkupuute vähendamiseks töötage hästi ventileeritud kohas ja heakskiidetud kaitsevarustusega, nt spetsiaalselt mikroskoopilise osakeste filtreerimiseks mõeldud kaitsemaskiga.

- Tegutsege tundmatu ümbruskonnas ettevaatlikult. Eksisteerida võivad varjatud ohud, näiteks elektri- ja muud kommunikatsiooniliinid.
- Lihvimise tagajärjel tekkiv tolmu ja suitsu võivad põhjustada potentsiaalselt plahvatusohtlikke õhustikke. Kasutage alati töödeldavate materjalidega sobivaid tolmuärastus- või tolmu teket piiravaid süsteeme.
- See tööriist pole loodud potentsiaalselt plahvatusohtlikes keskkondades kasutamiseks ning pole elektrivooluga kokkupuutumise suhtes isoleeritud.

Tootespetsiifilised juhised

Üldine tööohutus

Enne töö alustamist

1. Tühikäigu pöörlemissageduse kontrollimine
 - 6,3 bar / 90 PSIG rõhu juures mõõdetud pöörlemis-sagedus ei tohi olla suurem lihviijale märgitud nimipöörlemissagedusest.
 - Eemaldage tagaplaat ja väline äärik enne vabakäigukiiruse kontrollimist.
 - Kontrollige tühikäigu pöörlemissagedust iga päev ja eriti pärast pikka seisuperioodi.
 - Veenduge, et tööriistal toodud pöörlemissageduse märgis oleks loetav.
 - Viige tööriist liigse pöörlemissageduse korral remonti.
2. Päästiku kontrollimine
 - Veenduge, et päästik töötaks korralikult.
 - Kui päästik ei tööta korralikult, vahetage see välja.
 - Ärge eemaldage kunagi päästikut ega fikseerige seda kleeplindiga.
3. Max pöörlemissageduse kontrollimine
 - Veenduge, et tagaplaadi ja lihviijale märgitud maksimumkiirus oleks lihviijale märgitud kiirusega võrdne või sellest suurem.
4. Tagaplaadi kontrollimine
 - Veenduge, et tagaplaat ei oleks mõranenud ega kahjustunud.
 - Veenduge, et tagaplaadi ava oleks õiges läbimõõdus ja lihvimisketas oleks disbalansist põhjustatud vibratsioonide vältimiseks õigesti spindlile paigaldatud.
 - Kahjustatud tagaplaat tuleb kohe eemaldada ja välja vahetada.
5. Ääriku ja tagaplaadi kontrollimine
 - Tagaplaadi või lihviijale vahetamisel või tööriista reguleerimisel lahutage alati õhuvastus.
 - Veenduge, et ääriku ja plaadi kombinatsioonid oleksid kooskõlas riiklike eeskirjadega.
 - Veenduge, et äärik oleks puhas ja kahjustusteta.
 - Kinnitage äärik soovitatud pingutusmomendiga.
 - Pärast tagaplaadi kokkupanemist katsetage lihviija töötamist kaitstud piirkonnas.
 - Veenduge, et lihviija töötaks korralikult.

6. Isikukaitsevahendid

Veenduge, et kasutajad kasutaksid järgmisi isikukaitsevahendeid:

 - silmakaitset, kaitseprille või visiiri;
 - kõrvaklappe;
 - kindaid;
 - terasest varbakaitsega jalatseid;
 - kaitserõivastust, näiteks nahkpõlle;
 - kiivrit (raskemate tööde puhul).
 - Vältige lohvakaid riideid, lahtiseid juukseid ja rippuvaid ehteid (seadmesse kinnijäämise oht).
7. Tööpiirkond

Veenduge, et tööpiirkonnas ei oleks teisi inimesi, et keegi ei saaks vigastada.

 - Lähedal asuvad isikud peavad kandma kõrvaklappe ja kaitseprille.
 - Veenduge, et rajatises oleks piisav ventilatsioon ja tolmuärastus.
 - Veenduge, et oleks alus või koht, kuhu tööriist ohutult asetada.
 - Töötage isoleeritud piirkonnas, millel on võimaluse korral kaitseseinad. Esineb purunenud tagaplaatide lendupaiskumisoht.

Töötamise ajal

Lõpetage tööriista kasutamine ebanormaalse tugeva müra või vibratsiooni aset leidmisel töötamise ajal.

Tööriista ega selle tarvikuid ei tohi ümber teha.

Kasutamine

Paigaldamine / töötamine

Vt skeemi 3.

1. Juhusliku käivitumise vältimiseks veenduge, et masin oleks alati energiaallikast lahutatud.
2. Kinnitage tarvikud korralikult seadme külge. Kasutage tarvikute vahetamisel spindli lukustust (1).
3. Ühendage seade puhta ja kuiva õhu allikaga.
4. Reguleerige õhusurve regulaatorit nii, et rõhk tööriistas oleks 6,3 bar / 90 PSIG.
5. Kasutage SAE #10 õliga õhutoru määrdeseadist, mis on reguleeritud kahele tilgale minutis.
6. Masina käivitamiseks vabastage lukustus ja vajutage kaitsehooba (2). Peatamiseks vabastage kaitsehooba.

Käepideme pööramine

Vt skeemi 4..

1. Juhusliku käivitumise vältimiseks veenduge, et masin oleks alati energiaallikast lahutatud.
2. Eemaldage käepide (1).
3. Eemaldage kruvi (2).
4. Keerake klamber (3) soovitud asendisse.
5. Keerake kruvi (2) kinni.

6. Paigaldage käepide (1).

Pärast töö lõpetamist

⚠ HOIATUS Seiskumisaeg võib olla pikem kui 5 sekundit.

- ▶ Veenduge enne tööriista mahapanemist, et see oleks välja lülitatud ja täielikult seiskunud.
- ▶ Seiskumisaeg oleneb kasutatavast abrasiivist.

Pange tööriist ettevaatlikult maha, et see ei käivituks iseeneslikult.

Hooldamine

Paigaldusjuhised

- Järgige kõigi komponentide ohutuks käsitsemiseks ja kõrvaldamiseks kohaliku riigi keskkonnaeskirju.
- Hooldus- ja remonditöid tohivad teostada ainult selleks kvalifitseeritud isikud, kasutades originaalvaruosi. Tehnohoolduse kohta nõu küsimiseks või varuosade hankimiseks võtke ühendust tootja või teile lähima volitatud edasimüüjaga.
- Juhusliku käivitumise vältimiseks veenduge, et masin oleks alati energiaallikast lahutatud.
- Kui tööriista kasutatakse igapäevaselt, võtke tööriist lahti ja kontrollige seda iga 3 kuu (500 töötundi) möödudes. Asendage kõik kahjustatud või kulunud osad.
- Seisuaja minimeerimiseks on soovitatav kasutada järgmist hoolduskomplekti: **Häälestuskomplekt**

Utiliseerimine

- Seadme utiliseerimisel tuleb järgida vastava riigi seadusandlust.
- Kõik kahjustatud, tugevalt kulunud või valesti töötavad seadmed **TULEB KASUTUSEST KÕRVALDADA**.

Kasulik teave

Ohutuskaart

Ohutuskaardid kirjeldavad kaubamärgi Chicago Pneumatic müüdavaid kemikaale.

Lisateabe saamiseks külastage kaubamärgi Chicago Pneumatic veebisaiti qr.cp.com/sds.

Päritolumaa

Hungary

Veebileht

Teavet meie toodete, tarvikute, varuosade ja avaldatud materjalide kohta leiate kaubamärgi Chicago Pneumatic veebisaidilt.

Tutvuge lähemalt: www.cp.com.

Autoriõigus

© Autoriõigus 2023, CHICAGO PNEUMATIC Tool Co.LLC, 1815 Clubhouse Road, Rock Hill, SC 29730 - USA

Kõik õigused kaitstud. Volitamata kasutamine või sisu või selle osa kopeerimine on keelatud. See puudutab konkreetset just kaubamärke, mudelite nimetusi, detailide numbreid ja jooniseid. Kasutage ainult heakskiidetud osi. Kahjustusi ega häireid, mille põhjuseks on volitamata osade kasutamine, ei kata garantii ega tootevastutus.

Techniniai duomenys

Įrankio duomenys

Modeliai	Laisvosios eigos greitis (aps./min.)	Svoris (kg)	Svoris (svarais)
CP3650-120AB	12000	1.8	4
CP3650-120AA	12000	1.8	4
CP3650-085AB	8500	1.8	4
CP3650-085AA	8500	1.8	4
CP3650-075AB	7500	1.8	4

Maksimalus darbinis slėgis

6.3 bar / 90 psig

Deklaracijos

ES atitikties deklaracija

Mes, **CHICAGO PNEUMATIC Tool Co.LLC**, 1815 Clubhouse Road, Rock Hill, SC 29730 - USA, vienašališkos atsakomybės pagrindu pareiškiame, kad gaminy (pavadinimą, tipinį ir serijos numerį žr. pirmame puslapyje), atitinka šią (-as) Direktyvą (-as):

2006/42/EC (17/05/2006)

Taikyti darnieji standartai:

EN ISO 11148-8:2011

Atitinkamos techninės informacijos institucijos gali pareikalauti iš:

Pascal Roussy, R&D Manager, Ets Georges Renault, 38 rue Bobby Sands, BP10273 44818 Saint Herblain, France

Saint-Herblain, 2023/06/05

Pascal ROUSSY



Parašas

Deklaracija dėl triukšmo ir vibracijos

Garso lygis - ISO 15744

Modelis	L _{pA} dB(A)	L _{WA} dB(A)
CP3650-120AB	93	104
CP3650-120AA	93	104
CP3650-085AB	93	104

Modelis	L _{pA} dB(A)	LWA dB(A)
CP3650-085AA	93	104
CP3650-075AB	90	101

L_{pA} dB(A): garso slėgio lygis

L_{pA} dB(A): garso galios lygis

K / K_{pA} = KWA = 3 dB: neapibrėžtis

Vibracijos lygis - SO 28927-2

Modelis	Vibracija (m/s ²)
CP3650-120AB	2.6
CP3650-120AA	2.6
CP3650-085AB	2.3
CP3650-085AA	2.3
CP3650-075AB	2

Nurodytos reikšmės buvo gautos bandant laboratorinėmis sąlygomis pagal nurodytus standartus ir yra tinkamos lyginti su nurodytomis kitų pagal tuos pačius standartus bandytų įrankių reikšmėmis. Nurodytos reikšmės nėra pakankamos rizikai vertinti, o atskirose darbo vietose išmatuotos reikšmės gali būti didesnės. Faktinės ekspozicijos reikšmės ir žalios rizika atskiriems vartotojams yra specifiniai dalykai, kurie priklauso nuo vartotojo darbo būdo, darbo įrankio ir darbo vietos bei ekspozicijos laiko ir fizinės vartotojo būklės.

Mes, **CHICAGO PNEUMATIC Tool Co.LLC**, negalime būti laikomi atsakingi už deklaruotų verčių naudojimo vietoje faktinių verčių pasekmes individualiai įvertinant riziką darbo vietoje, kurios sąlygų negalime kontroliuoti.

Netinkamai valdomas šis įrankis gali sukelti rankos–plaštakos vibracijos sindromą. Plaštakos ir rankos vibracijos valdymo ES vadovas yra svetainėje <http://www.pneurop.eu/index.php>, skyrelyje „Tools“ (įrankiai), poskyryje „Legislation“ (teisės aktai).

Ankstyviems simptomams, kurie gali būti susiję su vibracijos ekspozicija, nustatyti ir valdymo procedūroms keisti taip, kad išvengtumėte pakenkimo ateityje, mes rekomenduojame sveikatos priežiūros programą.

ⓘ Jei ši įranga yra skirta naudoti sutvirtinus:

Triukšmo spinduliuotė pateikiama kaip orientyras mašinos gamintojui. Visos mašinos triukšmo ir vibracijos spinduliuotės duomenys turi būti pateikiami mašinos instrukcijų vadove.

Regioniniai reikalavimai

⚠️ ĮSPĖJIMAS

Šis produktas gali sukelti jums pavojų dėl cheminių medžiagų poveikio, įskaitant šviną – Kalifornijos valstija žino, kad tai gali sukelti vėžį, apsigimimų ir kitą žalą reprodukcinei sistemai. Daugiau informacijos rasite

<https://www.p65warnings.ca.gov/>

Sauga

NEIŠMESTI – ATIDUOTI VARTOTOJUI

⚠️ ĮSPĖJIMAS Perskaitykite visus su šiuo elektriniu įrankiu pateikiamus įspėjimus, instrukcijas, iliustracijas ir specifikacijas.

Jei bus nesilaikoma visų toliau pateiktų instrukcijų, gali kilti elektros smūgio, gaisro ir (arba) sunkaus sužeidimo pavojus.

Išsaugokite visus įspėjimus ir nurodymus, kad prirėkūs vėliau galėtumėte pasiskaityti.

⚠️ ĮSPĖJIMAS Visada būtina laikytis visų galiojančių vietinių sumontavimo, eksploatacijos ir techninės priežiūros saugos taisyklių.

Naudojimo deklaracija

- Skirta tik profesionaliam naudojimui.
- Draudžiama atlikti bet kokius šio gaminio ir jo priedų pakeitimus.
- Nenaudokite šio gaminio, jei jis apgadintas.
- Jei nebeįžiūrėti arba atplyšo lipdukai su gaminio įspėjimais ženkais, juos iškart pakeiskite.
- Gaminį gali diegti, naudoti ir techniškai prižiūrėti tik kvalifikuotas personalas pramoninio montažo aplinkoje.

Numatytoji paskirtis

Šis gaminys skirtas šalinti arba šlifuoti medžiagas naudojant padengtą šlifuojamąjį ar poliravimo priedus. Naudojimas kitai paskirčiai draudžiamas.

Bendrosios saugos instrukcijos

ⓘ Papildoma saugos informacija apie nešiojamus orinius įrankius:

- CAGI 2528 - B186.1, SAUGOS KODAS PAGALBINIAMS ORINIAMS ĮRANKIAMS, prieinamas „Pasaulio techniniuose dokumentuose“ adresu <https://global.ihs.com/> arba telefonu +1 800 447-2273. Jei kilo sunkumų, susijusių su ANSI standartų įsigijimu, susisieki su ANSI adresu <http://www.ansi.org/>

Oro tiekimo ir jungčių pavojai

- Suspaustas oras gali sukelti sunkių sužalojimų.
- Kai nenaudojate, prieš keisdami priedus arba atlikdami taisymus, visada išjunkite oro tiekimą, išleiskite iš žarnos oro slėgį ir atjunkite įrankį nuo oro tiekimo.
- Niekada nenukreipkite oro tiesiogiai į save ar bet kurį kitą asmenį.
- Besiplaikstančios žarnos gali sunkiai sužaloti. Visada patikrinkite, ar nėra pažeistų arba laisvų žarnų arba pritvirtinimų.
- Nenaudokite su įrankiu greitai atjungiamų movų. Tinkamą sąranką žr. instrukcijose.
- Jei naudojamos universalios užsukamos movos, jos turi būti su fiksavimo kaiščiais.
- Neviršykite maksimalaus 6,3 bar / 90 psig oro slėgio arba nurodyto prietaiso pavadinimo lentelėje.

Pirštų apsaugos patikrinimas (pasirenkama funkcija žr. atsarginių dalių sąrašą)

- Naudokite tik rekomenduojamą pirštų apsaugą ir užtikrinkite, kad ji nebūtų pažeista.
- Įdėkite pirštų apsaugą tarp rankos ir šlifavimo padėklo.
- Patikrinkite, ar pirštų apsauga tinkamai pritvirtinta.

Įsipainiojimo pavojai

- Laikykitės atokiau nuo judančio smėlinio šlifavimo padėklo. Atminkite, kad ir uždarius paleidimo vožtuvą šlifuojamoji dalis suksis; jei naudojate dvigubo veikimo šlifuotuvus, sukimasis gali trukti keletą sekundžių.
- Jei nelaikysite laisvų drabužių, pirštinių, papuošalų ir kaklo aksesuarų atokiau nuo prietaiso ir priedų, galite uždusti ir (arba) patirti plėštinių žaizdų.

Rizikos atvejai, susiję su dalelių lakstymu

- Priedų gedimas, abrazyvinių dalelių ar ruošinio gedimas gali būti dideliu greičiu išsviedžiamų dalelių atsiradimo priežastis. Net smulkios lakstančios dalelės gali sužeisti akis ar apakinti.
- Visuomet naudokitės smūgiams atspariomis akių ir veido apsaugos priemonėmis, kai dirbate ar esate šalia dirbančio įrankio, remontuojate ar prižiūrite jį, ar keičiate įrankio detales.
- Visi kiti asmenys, esantys netoliese, turi dėvėti poveikiui atsparią akių ir veido apsaugą.
- Kasdien matuokite sukamojo šlifuotuvo arba blizgintuvo greitį, kad užtikrintumėte, jog jis nėra didesnis nei ant atraminio bloko, cilindro ar šlifuojamosios dalies nurodytas sukčių per minutę skaičius.
- Užtikrinkite, kad atraminis blokas / šlifavimo priedas būtų saugiai priveržti prie smėlinio šlifuotuvo pateikiamais įrankiais.
- Sekite, kad apdorojamoji detalė būtų tvirtai užfiksuota.

Rizika, susijusi su priedais

- Visuomet išjunkite oro tiekimą, ištuštinkite žarną nuo suspausto oro ir atjunkite įrankį nuo oro tiekimo, kai keičiate priedus.
- Naudokite tik rekomenduoto dydžio ir tipo abrazyvus.
- Niekada nenaudokite atraminio bloko, cilindro ar šlifuojamosios dalies žemesniu greičiu nei orinio šlifuklio greitis.
- Ant šlifuotuvo niekada netvirtinkite šlifavimo arba pjovimo disko. Sprogęs ar tinkamai nesaugomas šlifavimo diskas gali būti ypač sunkių sužalojimų arba mirties priežastis.
- Naudokite tik padengtus šlifavimo diskus arba lakštus, tvirtai pritvirtintus prie atraminio bloko, tiekiamo su oriniu šlifuotuvu. Užtikrinkite, kad prisitvirtinantys šlifavimo diskai yra sumontuoti koncentriškai.

Su darbu susiję pavojai

- Su įrankiu dirbantys ir jį prižiūrintys darbuotojai turi fiziškai pajėgti išlaikyti įrankį pagal jo tūrį, svorį bei galingumą.
- Teisingai laikykite įrankį: būkite pasiruošę neutralizuoti įprastinius ar staigius judesius – tai daryti reikia abiem rankom.

- Galite įsipjauti, sugnybti odą ar nusideginti, jei prisiliesite prie šlifavimo padėklo, šlifuojamosios dalies ar darbo paviršiaus. Venkite sąlyčio, o rankoms apsaugoti mūvėkite tinkamas pirštines.
- Prieš naudodami, kiekvieną kartą apžiūrėkite atraminį bloką. Nenaudokite, jei jis įskilęs ar aplūžęs arba buvo numestas.
- Niekada nepradėkite darbo su prietaisu, jei ant jo nėra šlifuojamosios dalies.
- Yra elektrostatinės iškvos grėsmė, jei prietaisas naudojamas ant plastiko ar kitų nelaidžių medžiagų.
- Naudojant su apsauga sukurtą įrankį, apsaugas turėtų būti savo vietoje, kad apsaugotų nuo metalo drožlių arba kitų nuolaužų.

Pavojai dėl pasikartojančio judesio

- Dirbdamas elektriniu įrankiu operatorius gali patirti nepatogių pojūčių rankose, pečiuose, kakle ar kitose kūno dalyse.
- Pasistenkite stovėti patogiai, kojos turi būti tvirtai atremtos, venkite prarasti pusiausvyrą ir nepatogių padėčių. Nepatogumo ir nuovargio galima išvengti keičiant kūno padėtį.
- Neignorruokite simptomų, pavyzdžiui, nuolatinio ar pasikartojančio nepatogumo, skausmo, smilkčiojimo, spengimo, tirpulio, deginimo jausmo ar sustingimo. Nustokite dirbti įrankiu, informuokite savo darbdavį ir kreipkitės į gydytoją.

Triukšmo ir vibracijos pavojai

- Įrankio keliamas didelis triukšmas gali negrįžtamai pakentti klausai ir sukelti kitų problemų, pavyzdžiui, spengimą ausyse. Naudokite ausų apsaugas, kurias rekomenduoja jūsų darbdavys ar darbuotojų sveikatos ir saugos teisės aktai.
- Vibracijos poveikis gali pažeisti nervus ir rankų bei kojų kraujotaką. Dėvėkite šiltus drabužius ir pasirūpinkite, kad rankos būtų šiltos ir sausos. Jei pajuntate tirpimą, dilgčiojimą, skausmą arba pabąla oda, nustokite dirbti įrankiu, informuokite savo darbdavį ir kreipkitės į gydytoją.
- Lengvai tačiau tvirtai laikykite įrankį, kadangi vibracijos pavojus yra didesnis, jei įrankis suimamas stipriai. Jei įmanoma, kompensuokite įrankio svorį naudodami stabilizatorių.
- Kad būtų išvengta nereikalingo triukšmo ir vibracijos lygio lygio padidėjimo:
 - Naudokite ir prižiūrėkite įrankį, pasirinkite, prižiūrėkite ir keiskite priedus ir sunaudojamas dalis pagal šias naudojimo instrukcijas;
 - Naudokite garsą slopinančias medžiagas, kad būtų išvengta ruošinio „cypimo“.

Pavojai darbo vietoje

- Paslydimas, suklupimas ar griuvimas yra pagrindinės sunkių ar mirtinų sužeidimų priežastys. Saugokitės žarnų paliktų vietoje, kur vaikstoma, arba darbo srityje.
- Stenkitės neįkvėpti dulkių ar garų ir liesti lūžėnų darbo metu, nes tai gali būti pavojinga sveikatai (pavyzdžiui, sukelti vėžį, apsigimimus, astmą ir (arba) dermatitą).

Dirbdami su medžiagomis, kurios skleidžia daleles į orą naudokite dulkių ištraukimo sistemas ir dėvėkite apsaugines kvėpavimo priemones.

- Kai kuriose dulkėse sukeltose šlifavimo, pjovimo, gręžimo ir kitų veiksmų yra chemikalų, kurie, kaip žinoma Kalifornijos valstijoje, gali sukelti vėžį, įgimtas ydas arba kitą reprodukcinę žalą. Kai kurių šių chemikalų pavyzdžiai:

- Švinas iš dažų, kurių pagrindas yra švinas
- Kristalinio silicio plytos ir cementas bei kiti mūriniai gaminiai
- Arsenas ir chromas iš chemiškai apdorotos gumos

Sąveikos su šiais chemikalais poveikis gali skirtis atsižvelgiant į tai kaip dažnai dirbate šį darbą. Norėdami sumažinti sąveiką su šiais chemikalais: dirbkite gerai vėdinamoje patalpoje ir naudokite patvirtintas saugumo priemones, pvz., dulkių kaukes, kurios specialiai sukurtos tam, kad filtruotų mikroskopines daleles.

- Ypač būkite atsargūs nepažįstamoje aplinkoje. Naudokite dulkių ištraukimo arba malšinimo sistemas, kurios tinka apdorojamai medžiagai.
- Šlifavimo sukeltos dulkės ir dūmai gali aplinką paversti potencialiai sprogia. Gali būti tokių nepastebimų pavojų, tokių kaip elektra arba kitos aptarnaujamosios linijos.
- Šis įrankis nėra skirtas vartojimui potencialiai sprogiuose aplinkoje ir nėra izoliuotas nuo sąlyčio su elektros energija.

Specialios gaminio instrukcijos

Bendroji darbo sauga

Prieš pradėdami darbą

1. Laisvosios eigos patikra
 - Išmatuotasis greitis, esant 6,3 barų / 90PSIG slėgiui neturi viršyti ant šlifautuvo nurodyto vardinio greičio.
 - Prieš tikrindami laisvosios eigos sūkius nuimkite atraminį bloką ir išorinį flanšą.
 - Laisvosios eigos patikrą atlikite kasdien, ypač po ilgo nenaudojimo laikotarpio.
 - Įsitikinkite, kad ant įrankio esanti sūkių dažnio žyma yra įskaitoma.
 - Jei įrankio sūkių dažnis per didelis, atiduokite jį remontuoti.
2. Paleidiklio patikra
 - Įsitikinkite, kad paleidiklis veikia tinkamai.
 - Netinkamai veikiančią paleidiklį pakeiskite.
 - Paleidiklio jokia būdu nenuimkite, jo neužfiksuokite lipnia juosta.
3. Maksimalaus sūkių dažnio patikra
 - Įsitikinkite, kad užfiksuoti maksimalūs atraminio bloko ir abrazyvinio lakšto sūkių dažniai yra didesni arba lygūs ant šlifautuvo nurodytiems sūkiams.

4. Atraminio bloko patikra
 - Įsitikinkite, kad atraminis blokas neįskilęs ir neapgadintas.
 - Įsitikinkite, kad atraminio bloko angų matmenys yra tinkami ir jis yra prijungtas prie ašies – tada neatiras nesubalansuotos vibracijos.
 - Pažeistą atraminį bloką nedelsdami nuimkite ir pakeiskite.
5. Flanšo ir atraminio bloko patikra
 - Keisdami atraminį bloką ar abrazyvinį lakštą arba reguliuodami įrankį visada atjunkite suslėgto oro tiekimą.
 - Įsitikinkite, kad flanšas ir bloko derinys atitinka nacionalines taisykles.
 - Įsitikinkite, kad flanšas yra švarus ir nepažeistas.
 - Flanšus pritvirtinkite rekomenduojamu sukimo momentu.
 - Sumontavę atraminį bloką, šlifautuvą išbandykite apsaugotoje vietoje.
 - Įsitikinkite, kad šlifautuvas veikia tinkamai.
6. Asmeninė apsauginė įranga:

Pasirūpinkite, kad operatoriai naudotų:

 - Akių apsaugą, akinius arba skydelį.
 - ausų apsaugą;
 - pirštines;
 - batus su plienine batų priekio apsauga;
 - apsauginę aprangą, pavyzdžiui, odinę prijuostę;
 - šalną (dirbant pavojingesnius darbus);
 - nedėvėkite laisvai kabančių rūbų, pasirūpinkite, kad nebūtų palaidų plaukų, juvelyrinių dirbinių (gali būti sugriebti).

7. Darbo vieta

Pasirūpinkite, kad darbo vietoje nebūtų žmonių ir nekiltų sužalojimo pavojus.

- Šalia esantys kiti žmonės privalo dėvėti ausų ir akių apsaugą.
- Užtikrinkite, kad patalpose būtų pakankamai geras vėdinimas ir dulkių ištraukimas.
- Pasirūpinkite, kad būtų įrengtas stovas arba tinkama vieta įrankiui saugiai padėti.
- Dirbkite sandarioje vietoje, jei įmanoma – su apsauginėmis sienomis. Pažeistas atraminis blokas gali nuskrieti.

Darbo metu

Jei naudojant įrankį pasitaiko pernelyg didelis triukšmas ir vibracija, nebenaudokite jo.

Šis įrankis ir jo priedai negali būti keičiamas jokia būdu.

Eksplotavimas

Montavimas / eksploatavimas

Žr. 3 schemą

1. Siekdami išvengti netyčinio įrenginio veikimo, visada patikrinkite, ar jis atjungtas nuo energijos šaltinio.
2. Tinkamai tvirtinkite priedus prie įrankio. Norėdami pakeisti priedus, naudokite suklio užraktą (1).
3. Prijunkite prietaisą prie švaraus ir sauso oro tiekimo grandinės.
4. Sureguliuokite oro slėgio reguliatorių, kad įrankyje būtų 6,3 barų / 90 PSIG.
5. Naudokite oro linijai skirtą SAE #10 alyvą, kurios tiekimas sureguliuotas iki dviejų lašų per minutę.
6. Norėdami paleisti mašiną, atrakinkite ir nuleiskite saugos svirtį (2). Norėdami sustabdyti, atleiskite saugos svirtį.

Rankenos sukimas

Žr. 4 schemą.

1. Siekdami išvengti netyčinio įrenginio veikimo, visada patikrinkite, ar jis atjungtas nuo energijos šaltinio.
2. Nuimkite rankeną (1).
3. Išsukite varžtą (2).
4. Pasukite laikiklį (3) į norimą padėtį.
5. Priveržkite varžtą (2).
6. Sumontuokite rankeną (1).

Pabaigus darbą

⚠️ ĮSPĖJIMAS Sustojimo laikas gali būti ilgesnis nei 5 sekundės.

- ▶ Prieš padėdami įsitikinkite, kad įrankis išjungtas ir visiškai sustojo.
- ▶ Sustojimo laikas priklauso nuo naudojamo abrazyvo.

Atsargiai padėkite įrankį ir užtikrinkite, kad jis neįsijungs savaime.

Techninis aptarnavimas ir priežiūra

Techninės priežiūros instrukcijos

- **Laikykitės vietinių šalies aplinkosaugos taisyklių, kad saugiai tvarkytumėte ir šalintumėte visas sudedamąsias dalis.**
- Bet kokie techninės priežiūros ar remonto darbai turėtų būti pavesti kvalifikuotiems specialistams, naudojantiems tik originalias atsargines dalis. Jei prireikė patarimo dėl techninės priežiūros arba atsarginių dalių, susisiekite su gamintoju ar artimiausiu įgaliotuoju prekybos atstovu.
- Siekdami išvengti netyčinio įrenginio veikimo, visada patikrinkite, ar jis atjungtas nuo energijos šaltinio.
- Jei įrankis naudojamas kasdien, jį išardykite ir apžiūrėkite kas 3 mėnesius (po 500 val.). Pakeiskite visas pažeistas arba nusidėvėjusias dalis.
- Siekiant išvengti prastovų, rekomenduojama naudoti šį priežiūros rinkinį: **Derinimo rinkinys**

Šalinimas

- Išmetant šią įrangą reikia vadovautis atitinkamos šalies teisės aktais.

- **NEEKSPLOATUOKITE** apgadintų, labai nusidėvėjusių ar netinkamai veikiančių įrenginių.

Naudinga informacija

Saugos duomenų lapas

Saugos duomenų lapuose aprašomi cheminiai produktai, paroduodami Chicago Pneumatic.

Apsilankykite Chicago Pneumatic svetainėje ir sužinokite daugiau qr.cp.com/sds.

Kilmės šalis

Hungary

Tinklavietė

Informaciją apie mūsų Gaminius, Priedus, Atsargines dalis ir Paskelbtus klausimus rasite Chicago Pneumatic puslapyje.

Apsilankykite: www.cp.com.

Autorių teisės

© Copyright 2023, CHICAGO PNEUMATIC Tool Co.LLC, 1815 Clubhouse Road, Rock Hill, SC 29730 - USA

Visos teisės saugomos. Draudžiamas bet koks šio turinio ar jo dalies naudojimas arba kopijavimas neturint tam leidimo. Tai ypač taikoma prekių ženklams, modelių pavadinimams, dalių numeriams ir brėžiniams. Naudokite tik leistas dalis. Jei gaminys veiks blogai arba suges dėl neleistinų dalių naudojimo, garantija nebus taikoma.

Tehniskie dati

Instrumenta dati

Modeli	Brūvgaitas atrumas (apgr./min)	Svars (kg)	Svars (lb)
CP3650-120AB	12000	1.8	4
CP3650-120AA	12000	1.8	4
CP3650-085AB	8500	1.8	4
CP3650-085AA	8500	1.8	4
CP3650-075AB	7500	1.8	4

Maksimālais darba spiediens

6.3 bar / 90 psig

Deklarācijas

ES atbilstības deklarācija

Mēs, CHICAGO PNEUMATIC Tool Co.LLC, 1815 Clubhouse Road, Rock Hill, SC 29730 - USA, vienpersoniski uzņemoties atbildību, paziņojam, ka produkts (ar nosaukumu, tipu un sērijas numuru, kas atrodami titullapā) atbilst šai direktīvai(-ām):

2006/42/EC (17/05/2006)

Piemērotie saskaņotie standarti:

EN ISO 11148-8:2011

Iestādes var pieprasīt nepieciešamo tehnisko informāciju no:

Pascal Roussy, R&D Manager, Ets Georges Renault, 38 rue Bobby Sands, BP10273 44818 Saint Herblain, France

Saint-Herblain, 2023/06/05

Pascal ROUSSY



Paraksts

Trokšņa un vibrācijas deklarācijas paziņojums

Skaņas līmenis – ISO 15744

Modelis	L _{pA} dB(A)	LWA dB(A)
CP3650-120AB	93	104
CP3650-120AA	93	104
CP3650-085AB	93	104
CP3650-085AA	93	104
CP3650-075AB	90	101

L_{pA} dB(A): skaņas spiediena līmenis

LWA dB(A): skaņas jaudas līmenis

K / K_{pA} = KWA = 3 dB: nenoteiktība

Vibrācijas līmenis – ISO 28927-2

Modelis	Vibrācijas (m/s ²)
CP3650-120AB	2.6
CP3650-120AA	2.6
CP3650-085AB	2.3
CP3650-085AA	2.3
CP3650-075AB	2

Šīs deklarētās vērtības tika iegūtas, testējot laboratorijas apstākļos atbilstoši norādītajiem standartiem, un ir piemērotas salīdzināšanai ar citu rīku deklarētajām vērtībām, kas testētas atbilstoši šiem pašiem standartiem. Šīs deklarētās vērtības nav piemērotas izmantošanai riska novērtējumos, un atsevišķās darbavietās veikto mērījumu rezultāti var būt lielāki. Faktiskās iedarbības vērtības un kaitējuma risks atsevišķam lietotājam ir unikāls un atkarīgs no lietotāja darba paņēmieniem, veicamā darba un darbstacijas uzbūves, kā arī no iedarbības laika un lietotāja fiziskā stāvokļa.

Mēs, CHICAGO PNEUMATIC Tool Co.LLC, neesam atbildīgi par izmantošanas sekām ar noteiktajām vērtībām, to vērtību vietā, kas parādā patieso atbildes reakciju, individuālo riska izvērtējumu darba vietā, kuru mēs nevaram ietekmēt.

Ja šī instrumenta lietošana netiek atbilstoši pārvaldīta, tas var izraisīt plaukstu/roku vibrāciju sindromu. ES vadlīnijas par plaukstu/roku vibrāciju var atrast ieejot <http://www.pneurop.eu/index.php> un atlasot "Rīki", tad "Likumi".

Iesakām izmantot veselības novērošanas programmu, lai atklātu agrīnus simptomus, kas varētu būt saistīti ar vibrācijas iedarbību, vai varētu mainīt atbilstošo darba organizāciju, nepieļaujot turpmāku stāvokļa pasliktināšanos.

- ⓘ Ja šī iekārta ir paredzēta statistiskiem pielietojumiem: Trokšņa emisijas vērtība ir paredzēta mašīnu ražotājiem. Trokšņa un vibrāciju emisijas dati par visu mašīnu jāsniedz mašīnas instrukciju rokasgrāmatā.

Reģionālās prasības

⚠ BRĪDINĀJUMS

Šis produkts var jūs pakļaut svina apdraudējumam, kurš Kalifornijas štatā ir zināms kā vēža un iedzimtu defektu izraisītājs, kā arī citu reproduktīvo funkciju kaitējumu avots. Lai saņemtu plašāku informāciju, apmeklējiet

<https://www.p65warnings.ca.gov/>

Drošība

NEIZMETIET — NODODIET LIETOTĀJAM

⚠ BRĪDINĀJUMS Izlasiet visus drošības brīdinājumus, norādījumus, ilustrācijas un specifikācijas, kas saņemtas kopā ar šo elektroinstrumentu.

Neievērojot visus tālāk sniegtos norādījumus, varat izraisīt elektrisko triecienu, ugunsgrēku un/vai smagas traumas.

Saglabājiet visus brīdinājumus un norādījumus turpmākai uzzīņai.

⚠ BRĪDINĀJUMS Pastāvīgi jāievēro visi vietējie drošības noteikumi, kas attiecas uz uzstādīšanu, ekspluatāciju un apkopi.

Produkta pielietojums

- Tikai profesionālai lietošanai.
- Šo produktu un tā palīgaprīkojumu aizliegts jebkādā veidā pārveidot.
- Neizmantojiet šo produktu, ja tas ir bojāts.
- Ja produkta dati vai bīstamības brīdinājuma zīmes uz produkta vairs nav salasāmas vai atlīmējas, nekavējoties nomainiet tās.
- Šo produktu drīkst uzstādīt, lietot un apkalpot tikai kvalificēta persona rūpnieciskā montāžas vidē.

Paredzētais pielietojums

Šis izstrādājums ir paredzēts materiāla noņemšanai vai pulēšanai, izmantojot pārklātus abrazīvus vai pulēšanas piederumus. Citi lietošanas veidi nav atļauti.

Vispārīgas drošības instrukcijas

i Papildu drošības informācija par pārnēsājamiem pneimatiskajiem instrumentiem:

- CAGI 2528 - B186.1, DROŠĪBAS KODEKSS PĀRNĒSĀJAMIEM PNEIMATISKAJIEM INSTRUMENTIEM, pieejams Global Engineering Documents vietnē <https://global.ihs.com/> vai zvanot uz +1 800 447-2273. Ja jums ir grūtības iegūt ANSI standartus, sazinieties ar ANSI caur mājas lapu <https://www.ansi.org/>

Gaisa padeve un savienojumu riski

- Saspiests gaiss var radīt smagas traumas.
- Kad instruments netiek lietots, pirms maināt piederumus, vai veiciet apkopes darbus, vienmēr noslēdziet gaisa padevi, iztukšojiet gaisa spiediena šļūteni un atvienojiet to no gaisa padeves.
- Nekad nevērsiet tiešu gaisa plūsmu savā vai citu virzienā.
- Šļūteņu nekontrolēta kustība var izraisīt smagas traumas. Vienmēr pārbaudiet, vai šļūtenes vai veidgabali nav bojāti vai vaļīgi.
- Pie instrumenta nedrīkst lietot ātri atvienojamas savienotājumavas. Skatiet pareizas uzstādīšanas norādījumus.
- Izmantojot universālās savienotājumavas ar vītni, jāuzstāda aizturta.
- Nepārsniedziet maksimālo atļauto gaisa spiedienu 6,3 bar / 90 psig vai, kā norādīts instrumenta datu plāksnītē.

Pirkstu aizsargu pārbaude (papildaprīkojums, skatīt rezerves daļu sarakstu)

- Izmantojiet ieteikto pirkstu aizsargu un pārlicinieties, ka tas nav bojāts.
- Novietojiet pirkstu aizsargu starp plaukstu un abrazīvo pamatni.
- Pārbaudiet, vai pirkstu aizsargs ir pareizi nostiprināts.

Sapīšanās riski

- Nepieskarieties kustīgai abrazīva pamatnei. Ņemiet vērā, ka abrazīvais materiāls turpinās kustību pēc tam, kad palaišanas vārsts būs aizvērts; divpusējās darbības slīpmašīnām šis periods var ilgt vairākas sekundes.
- Ja vaļīgas drēbes, cimdi, rotaslietas, kaklarotas un mati netiek turēti atstātos no instrumenta un tā piederumiem, var tikt izraisīta žņaugšana, skalpēšana un/vai plēstas brūces.

Lidojošu objektu riski

- Piederuma vai abrazīvā materiāla plūsuma rezultātā var rasties lielā ātrumā lidojošas atlūzas. Pat niecīgākās atlūzas var radīt acs traumu un izraisīt aklu.
- Strādājot ar instrumentu vai esot tā tuvumā, veicot remontu vai apkopi vai mainot tā piederumus, vienmēr valkājiet triecienizturīgus acu un sejas aizsargus.
- Pārlicinieties, vai citas personas darba zonā lieto atbilstošus acu un sejas aizsardzības līdzekļus.

- Katru dienu ar tahometru izmēriet rotējošās slīpmašīnas vai slīdripas ātrumu, lai pārlicinātos, ka tas nepārsniedz apgr./min atzīmi uz slīdripas, trumuļa vai abrazīvā materiāla.
- Nodrošiniet, lai slīdripa/abrazīvais materiāls būtu droši nostiprināts pie slīpmašīnas, izmantojot komplektā ietvertos instrumentus.
- Sekojiet tam, lai apstrādājama materiāls būtu kārtīgi nofiksēts.

Ar piederumiem saistītie riski

- Vienmēr pirms piederumu maiņas izslēdziet gaisa padevi, atbrīvojiet šļūteni no gaisa spiediena un atvienojiet ierīci no gaisa padeves.
- Lietojiet tikai ieteiktos abrazīvo materiālu izmērus un veidus.
- Nekādā gadījumā neizmantojiet abrazīva pamatni, trumuļi vai abrazīvo materiālu, kura atļautais ātrums ir zemāks par slīpmašīnas ātrumu.
- Nekādā gadījumā neuzstādiet uz slīpmašīnas slīpripu vai griešanas disku. Ja slīpripai nav uzstādīts pareizs aizsargs, tās plīšana var izraisīt smagas traumas vai pat nāvi.
- Lietojiet tikai aplātus abrazīvos diskus vai loksnes, kas ir atbilstoši piestiprinātas pie slīpmašīnas pamatnes. Pašfiksējošie slīpmašīnas diski ir jāuzstāda koncentriski.

Ekspluatācijas riski

- Operatoriem un apkopes personālam ir jāprot apieties ar instrumenta lielumu, svaru un tā jaudu.
- Turiet motoru pareizi: esiet gatavi izturēt normālu pret-darbību vai pēkšņas kustības — turiet gatavībā abas rokas.
- Saskaroties ar abrazīva pamatni, abrazīvu vai darba virsmu, varat gūt grieztas brūces, iespiest ķermeņa daļas vai apdedzināties. Izvairieties no saskares un valkājiet atbilstošus cimdus, lai aizsargātu plaukstu.
- Pārbaudiet abrazīvo pamatni pirms katras lietošanas reizes. Nelietojiet to, ja tā ir ieplaisājusi vai salūzusi vai ja tā ir bijusi nokritusi.
- Nekādā gadījumā nedarbiniet instrumentu, ja apstrādājamam metālam nav pielikts abrazīvais materiāls.
- Pastāv elektrostatiskās izlādes risks, ja instrumentu izmanto uz sintētiska un cita veida nevadoša materiāla.
- Izmantojot instrumentu, kam ir paredzēts aizsargs, šim aizsargam jāatrodas vietā, kas pasargā no slīpēšanas šķembām un citiem gružiem.

Atkārtotu kustību riski

- Izmantojot elektroinstrumentu, lai veiktu ar darbu saistītas aktivitātes, operators var izjust diskomfortu plaukstās, rokās, plecos, kaklā vai citās ķermeņa daļās.
- Ieņemiet ērtu pozu, saglabājiet drošu atbalstu ar kājām un izvairieties no neērtām nelīdzsvarotām pozām. Pozas maiņa ilgstošu darbu laikā var palīdzēt izvairīties no diskomforta un noguruma.
- Neignorējiet tādas simptomus kā pastāvīgs vai regulārs diskomforts, sāpes, pulsēšana, smeldze, dzinkstēšana, tirpums, dedzināšanas sajūta vai stīvums. Pārtrauciet instrumenta izmantošanu, paziņojiet par to darba devējam un konsultējieties ar ārstu.

Trokšņa un vibrāciju riski

- Augsts skaņas līmenis var izraisīt neatgriezenisku dzirdes zudumu un citas problēmas, piemēram, trokšņus ausīs. Izmantojiet piemērotus ausu aizsardzības līdzekļus, kā to nosaka jūsu darba devējs vai darba drošības un veselības aizsardzības noteikumi.
- Vibrāciju iedarbība var radīt paliekošus bojājumus nerviem un roku un plaukstu asinsritei. Valkājiet siltas drēbes un turiet plaukstas siltas un sausas. Konstatējot nejutīgumu, tirpšanu, sāpes vai ādas bālumu, pārtrauciet instrumenta izmantošanu, paziņojiet par to darba devējam un konsultējieties ar ārstu.
- Turiet instrumentu vieglā, bet drošā satvērienā, jo parasti vibrācijas riski ir lielāki, kad satvēriens ir ciešs. Kur iespējams, balstiet instrumenta svaru ar balansieri.
- Lai izvairītos no nevajadzīga trokšņa un vibrāciju līmeņa pieauguma:
 - darbiniet un apkopiet instrumentu un izvēlieties, apkopiet un nomainiet piederumus un ekspluatācijas materiālus saskaņā ar instrukciju rokasgrāmatu;
 - Izmantojiet slāpējošos materiālus, lai neļautu materiālam “zvanīt”.

Darba vietas riski

- Slīdēšana/aizķeršanās/nokrišana ir viens no galvenajiem smagu traumu vai nāves cēloņiem. Uzmanieties no šļūtenes likumiem, kas var būt atstāti uz darba virsmas vai grīdas.
 - Izvairieties no putekļu vai dūmu ieelpošanas vai darba ar gruziem, kas var kaitēt veselībai (piemēram, kaitēt grūtniecībai, izraisīt vēzi, astmu un/vai dermatītu). Strādājot ar materiāliem, kas izplata gaisā daļiņas, lietojiet putekļu ekstrakcijas un elpošanas aizsarglīdzekļus.
 - Daži putekļi, kas rodas pulēšanas, zāģēšanas, slīpēšanas, urbšanas un citu būvdarbu rezultātā satur ķīmiskas vielas, kas Kalifornijas štatam zināmas, kā vēža, iedzimtu defektu un citu reproduktīvu kaitējumu izraisītājas. Tālāk doti daži piemēri:
 - svins no svinu saturošām krāsām;
 - kristāliskā silīcija ķieģeļi, cements un citi mūrēšanas produkti;
 - arsēns un hroms no ķīmiski apstrādātās gumijas.
- Šo iedarbību risks atšķiras atkarībā no tā, cik bieži jūs darāt šo darbu. Lai ierobežotu šo ķīmisko vielu iedarbību, jāstrādā labi vēdināmā vietā, lietojot apstiprinātu aizsargaprīkojumu, piemēram, putekļu maskas, kas ir īpaši veidotas mikroskopisku daļiņu aizturēšanai.
- Ievērojiet piesardzību, strādājot svešā darba vidē. Var būt iespējami slēptie riski, piemēram, elektrība vai citas iekšējās komunikācijas.
 - Putekļi un tvaiki, kas rodas no pulēšanas vai slīpēšanas, var izraisīt iespējami sprādzienbīstamu vidi. Lietojiet putekļu savākšanas vai apslāpēšanas sistēmu, kas ir piemērota apstrādājamajam materiālam.
 - Šis motors nav paredzēts izmantošanai potenciāli eksplozīvā atmosfērā un nav izolēts no nonākšanas kontaktā ar elektrisko strāvu.

Produktam specifiskas instrukcijas

Vispārējā darba drošība

Pirms darba sākšanas

1. Brīvgaitas ātruma pārbaude
 - Izmēriete apgriezieni pie 6,3 bāru / 90 PSIG spiediena nedrīkst pārsniegt nominālos apgriezienus, kas norādīti uz slīpmašīnas.
 - Noņemiet atbalsta pamatni un ārējo atloku, pirms pārbaudīt tukšgaitas apgriezienus.
 - Veiciet ikdienas brīvgaitas ātruma pārbaudes, it īpaši pēc ilgām dikstāves periodiem.
 - Pārlicinieties, ka apgriezienu marķējums uz instrumenta ir salasāms.
 - Ja instruments pārsniedz apgriezienu ātrumu, nododiet to labošanai.
2. Mēlītes pārbaude
 - Pārbaudiet, vai mēlīte darbojas pareizi.
 - Nomainiet mēlīti, ja tā nedarbojas pareizi.
 - Nedrīkst noņemt mēlīti vai nofiksēt to ar izolācijas lenti.
3. Maksimālo apgriezienu pārbaude
 - Pārlicinieties, ka norādītie atbalsta pamatnes un abrazīva loksnes maksimālie apgriezieni ir lielāki vai vienādi ar apgriezieniem, kas norādīti uz slīpmašīnas.
4. Atbalsta pamatnes pārbaude
 - Nodrošiniet, lai atbalsta pamatne nebūtu ieplaisājusi vai bojāta.
 - Pārbaudiet, vai atbalsta pamatnei ir izmēram atbilstošas atveres un tā ir uzstādīta pareizi uz vārpstas, lai izvairītos no disbalansa vibrācijām.
 - Nekavējoties noņemiet un nomainiet bojāto atbalsta pamatni.
5. Atloka un atbalsta pamatnes pārbaude
 - Vienmēr atvienojiet gaisa padevi, kad maināt atbalsta pamatni vai abrazīva loksni, vai regulējat instrumentu.
 - Pārlicinieties, vai atloka un pamatnes kombinācijas atbilst valsts noteikumiem.
 - Pārbaudiet, vai atloks ir tīrs un nav bojāts.
 - Piestipriniet atloku ar ieteicamo griezes momentu.
 - Pēc atbalsta pamatnes uzstādīšanas pārbaudiet slīpmašīnas darbību aizsargātā vidē.
 - Pārbaudiet, vai slīpmašīna darbojas pareizi.

6. Individuālais aizsargaprīkojums:
Nodrošiniet, lai operators izmantotu:
- acu aizsargus, aizsargbrilles vai vizieri;
 - ausu aizsargus;
 - cimds;
 - apavus ar tērauda purngaliem;
 - aizsargapģērbu, piemēram, ādas priekšautu;
 - ķiveri (smagākiem darbiem).
 - Nedrīkst valkāt brīvi krītošu apģērbu, atstāt vaļējus matus vai juvelierizstrādājumus (aizķeršanās risks).
7. Darba zona
Nodrošiniet, lai darba zonā nebūtu citu cilvēku, un līdz ar to neviens nevarētu gūt traumas.
- Tuvumā esošajiem cilvēkiem jāvalkā dzirdes vai acu aizsargi.
 - Pārliedzieties, lai ventilācija un putekļu savākšana no telpām būtu pietiekama.
 - Nodrošiniet, lai būtu pieejams stands vai vieta, kur droši nolikt instrumentu.
 - Strādājiet noslēgtā zonā, ja iespējams, ar aizsargājošām sienām. Pastāv risks, ka plīsusās atbalsta pamatnes varētu aizlidot.

Darba laikā

Pārtrauciet instrumenta lietošanu, ja lietošanas laikā rodas neparasti skaļš troksnis un vibrācijas.

Šo instrumentu un tā piederumus nedrīkst pārveidot.

Darbība

Uzstādīšana / darbība

Skat. 3. shēmu.

1. Vienmēr pārliedzieties, ka iekārta ir atslēgta no enerģijas avota, lai izvairītos no nejaušas iedarbināšanas.
2. Pareizi piestipriniet papildpiederumus mašīnai. Izmantojiet vārpstas fiksatoru (1), lai palīdzētu nomainīt piederumus.
3. Pievienojiet iekārtu tīrai un sausai gaisa padeves sistēmai.
4. Pielāgojiet gaisa spiediena regulatoru tā, lai instruments būtu pakļauts 6,3 bāru / 90 PSIG spiedienam.
5. Izmantojiet gaisa vada eļļnīcu ar SAE #10 eļļu, kas noregulēta uz diviem pilieniem minūtē.
6. Lai palaistu mašīnu, atbloķējiet un nospiediet drošības sviru (2). Atlaidiet drošības sviru, lai apturētu.

Roktura pagriešana

Skat. 4. shēmu.

1. Vienmēr pārliedzieties, ka iekārta ir atslēgta no enerģijas avota, lai izvairītos no nejaušas iedarbināšanas.
2. Noņemiet rokturi (1).
3. Izskrūvējiet skrūvi (2).
4. Pagrieziet kronšteinu (3) vēlamajā pozīcijā.

5. Pievelciet skrūvi (2).
6. Uzstādiet rokturi (1).

Pēc tam, kad darbs ir pabeigts

⚠ BRĪDINĀJUMS Apstāšanās laiks var būt ilgāks par 5 sekundēm.

- ▶ Pirms instrumenta nolikšanas pārliedzieties, ka instruments ir izslēgts un tā kustība ir pilnīgi apturēta.
- ▶ Apstāšanās laiks ir atkarīgs no izmantotā abrazīvā materiāla.

Rūpīgi nolieciet instrumentu, lai nodrošinātu, ka tas nesāks darboties pats no sevis.

Apkope un uzturēšana

Apkopes norādījumi

- Ievērojiet vietējos vides normatīvus par drošu apiešanos ar visām sastāvdaļām un to utilizāciju.
- Apkopes un remonta darbi jāveic kvalificētam personālam, izmantojot tikai oriģinālās rezerves daļas. Sazinieties ar ražotāju vai tuvāko pilnvaroto izplatītāju, lai saņemtu konsultāciju par tehnisko apkopi, vai, ja jums ir nepieciešamas rezerves daļas.
- Vienmēr pārliedzieties, ka iekārta ir atslēgta no enerģijas avota, lai izvairītos no nejaušas iedarbināšanas.
- Demontējiet un pārbaudiet instrumentu ik pēc 3 mēnešiem (500 stundām), ja instruments tiek lietots katru dienu. Nomainiet bojātas vai nodilušas daļas.
- Lai samazinātu dīkstāvi līdz minimumam, ieteicams izmantot šādu apkopes komplektu: **Pieregulēšanas komplekts**

Utilizācija

- Utilizējot šo iekārtu, jāievēro attiecīgās valsts tiesību akti.
- Visu bojāto, smagi nolietoto vai nepareizi darbojošos ierīču **EKSPLUATĀCIJA IR JĀPĀRTRAUC.**

Noderīga informācija

Drošības datu lapa

Drošības datu lapās aprakstīti Chicago Pneumatic pārdotie ķīmiskie produkti.

Lai iegūtu plašāku informāciju, lūdzu, apmeklējiet Chicago Pneumatic tīmekļa vietni qr.cp.com/sds.

Izcelsmes valsts

Hungary

Vietne

Informāciju par mūsu produktiem, piederumiem, rezerves daļām un publicētajiem materiāliem var atrast Chicago Pneumatic tīmekļa vietnē.

Lūdzu, apmeklējiet: www.cp.com.

Autortiesības

© Autortiesības 2023, CHICAGO PNEUMATIC Tool Co.LLC, 1815 Clubhouse Road, Rock Hill, SC 29730 - USA

Visas tiesības paturētas. Satura vai tā daļas neatļautu izmantošana vai kopēšana ir aizliegta. It sevišķi tas attiecas uz preču zīmēm, modeļu nosaukumiem, daļu numuriem un rasējumiem. Izmantojiet tikai atļautas daļas. Garantija vai ražotāja atbildība par produktu neattiecas uz kaitējumiem vai darbības traucējumiem, ko izraisījusi neatļautu daļu lietošana.

技术数据

工具数据

型号	空转速度 (rpm)	重量 (kg)	重量 (lb)
CP3650-120AB	12000	1.8	4
CP3650-120AA	12000	1.8	4
CP3650-085AB	8500	1.8	4
CP3650-085AA	8500	1.8	4
CP3650-075AB	7500	1.8	4

最大工作压力

6.3 bar / 90 psig

声明

EU 符合性声明

我们 (CHICAGO PNEUMATIC Tool Co.LLC, 1815 Clubhouse Road, Rock Hill, SC 29730 - USA) 全权声明, 本产品 (名称、型号和序列号, 请见首页) 符合以下指令:

2006/42/EC (17/05/2006)

应用的协调标准:

EN ISO 11148-8:2011

政府机构可索取相关技术信息:

Pascal Roussy, R&D Manager, Ets Georges Renault, 38 rue Bobby Sands, BP10273 44818 Saint Herblain, France

Saint-Herblain, 2023/06/05

Pascal ROUSSY



签名

噪音与振动声明

声音等级 - ISO 15744

型号	L _{pA} dB(A)	L _{WA} dB(A)
CP3650-120AB	93	104
CP3650-120AA	93	104
CP3650-085AB	93	104
CP3650-085AA	93	104
CP3650-075AB	90	101

L_{pA} dB(A): 声压级

L_{WA} dB(A): 声功率级

K / K_{pA} = K_{WA} = 3 dB: 不确定度

振动等级 - ISO 28927-2

型号	振动 (m/s ²)
CP3650-120AB	2.6
CP3650-120AA	2.6
CP3650-085AB	2.3
CP3650-085AA	2.3
CP3650-075AB	2

以上声明值是根据一定标准获得的实验室测量值, 可以与使用其它工具按照相同标准所测得的声明值进行对比。这些声明值不适合用于风险评估, 在个别工作地点测出的值可能会更高。每个用户所经历的实际接触值和损害风险都各不相同, 这取决于用户的工作方式, 工件、工作站设计以及接触时间和用户的身体状况。

我们 (CHICAGO PNEUMATIC Tool Co.LLC) 郑重声明: 对于在不受我们控制的工作场所状况下进行的单独风险评估, 如使用声明值而非实际暴露值, 则我们对后果概不负责。

如果该工具在使用时未经适当管理, 则可能会导致手臂振动综合症。有关预防手臂振动的 EU 指南, 请通过访问 <http://www.pneurop.eu/index.php> 并选择“工具” - “法规”进行查看。

我们建议制定一个健康监督方案, 以尽早检测出可能与振动接触相关的早期症状, 从而对管理程序进行修改, 避免今后造成损害。

- ⓘ 如果本设备适合于拧紧机系统: 所提供的噪声排放信息可供机器装配者参考。整套机器的噪声和振动发射数据应在机器的指导手册中提供。

区域性要求

⚠ 警告

该产品可能会使您暴露于化学物质 (包括铅), 加利福尼亚州已明确铅可导致癌症和先天缺陷或其他生殖危害。更多信息请访问

<https://www.p65warnings.ca.gov/>

安全

切勿丢弃 - 请交给使用者

- ⚠ 警告 阅读随本电动工具提供的所有安全警告、说明、图解和规定。

不遵守下列全部说明可能导致电击、火灾和/或严重的伤害。

保存所有警告和说明书以备查阅。

- ⚠ 警告 安装、操作以及维护过程中必须始终遵守当地的安全法规。

使用声明

- 仅供专业使用。
- 此产品及其附件不得以任何形式进行改造。

- 如果此产品已损坏，则不得使用。
- 如果产品上的产品数据或危险警示牌不再清晰可读或已脱落，请立即更换。
- 该产品必须只能由具有相关资质的人员在工业环境中安装、操作和维护。

预期用途

本产品旨在使用打磨件或抛光附件打磨或抛光材料。不得用于其它用途。

常规安全说明

① 有关便携式气动工具的其他安全信息：

- CAGI 2528 - B186.1，便携式气动工具安全规范，可从 <https://global.ihs.com/> 的“全球工程文件”上或者致电 +1 800 447-2273 获取该文件。对于获取 ANSI 标准有任何疑问，请访问 <https://www.ansi.org/> 与 ANSI 联系。

空气供给和连接危险

- 压缩空气可能造成严重伤害。
- 在更换附件或者进行维修之前，若不使用工具，务必始终关闭气源、释放管中气压并断开工具与气源的连接。
- 任何时候不得将压缩空气对准自己或他人。
- 甩动的软管可造成严重的伤害。请务必检查软管和管件是否损坏或松动。
- 工具尾端不要直接使用快速接头。请参阅说明进行正确设置。
- 使用万向联轴节的时候一定要安装防松销钉。
- 不得超过最大空气压力 6.3 bar / 90 psig，也不得超过工具铭牌上注明的壓力值。

护指板检查（可选功能参考备件列表）

- 使用建议的护指板，确保它没有损坏。
- 将护指板放在您的手和打磨垫之间。
- 检查护指板是否正确固定。

缠绕危险

- 远离正在动作的磨砂垫板。请注意，启动阀关闭后，打磨件仍会继续运行；对于双动磨砂机，启动阀关闭后打磨件会继续运行数秒。
- 操作工具或配件时不得穿着宽松的衣服、戴手套、佩戴首饰、项链，并应整理好头发，否则可能发生窒息、撕脱头皮和/或划伤。

抛射物危险

- 附件或磨削件或者工件断裂时，可能会产生高速抛射物。即使较小的抛射物也可能对眼睛造成伤害并导致失明。
- 进行工具的操作、修理或维护工作或者更换工具附件或靠近操作现场时，要戴上耐冲击的眼部和面部护具。
- 要确认该区域的所有其他人都已戴上耐冲击的眼部和面部护具。
- 每日用转速计测量旋转磨砂机或抛光机的速度，确保转速不大于背衬垫板、转鼓或打磨件所标示的 RPM 转速。

- 确保使用提供的工具将背衬垫板/打磨件牢牢夹到磨砂机上。
- 确保工件牢固固定。

附件存在的危险

- 在更换零件时，务必始终关闭气源、释放管中气压并断开工具与气源的连接。
- 仅使用推荐尺寸和类型的打磨件。
- 切勿使用许用转速低于气动磨砂机转速的背衬垫板、转鼓或打磨件。
- 切勿在磨砂机上安装磨轮或切断砂轮。磨轮可能会爆裂，在未加适当防护时会导致严重伤害甚至死亡。
- 只能使用涂覆式打磨碟或打磨纸，并将其正确固定在气动磨砂机的背衬垫板上。确保自装配打磨碟为同心装配。

操作危险

- 操作人员和维护人员必须有足够的体力掌握体大沉重的动力工具。
- 正确握住工具：准备好应对可能出现的正常或突然移动 - 双手都要做好准备。
- 如果接触砂垫、磨削火花或工作表面，您可能会被割伤、压伤或灼伤。避免接触并穿戴适合的手套以保护手部。
- 每次使用前都要检查背衬垫板。如果背衬垫板破裂或损坏，或其已掉落，切勿使用。
- 切勿在打磨件未接触工件时运转工具。
- 如果用在塑料和其他非导电材料上，有可能产生静电放电危险。
- 使用设计上配置了防护板的工具时，防护板必须安装到位，以提供对切屑或其他碎屑的阻挡保护。

重复性动作的危害

- 使用电动工具执行工作相关操作时，操作人员的双手、手臂、肩膀、脖子或身体其他部位可能会感到不适。
- 采用舒适的姿势，同时又能保持站稳，避免采用别扭或容易导致身体失去平衡的姿势。在进行长时间任务时，改变姿势有助于避免出现不适或疲劳。
- 不要忽视持续或断断续续的不适、疼痛、搏动、酸痛、麻感、麻木、灼烧感或僵硬等症状。如有此类症状，请停止使用工具，告知雇主并咨询医师。

噪音和震动危害

- 极高的声音强度可能会导致永久性的听力受损，以及诸如耳鸣的其他问题。使用您的用人单位或职业健康和安全法规推荐的听力保护用具。
- 暴露在震动环境中会对双手和手臂的神经和供血造成致残伤害。请穿着保暖衣物并保持双手温暖干燥。如果发现手脚麻木、刺痛、疼痛或皮肤发白，应该停止使用本工具，告知雇主并征求医生意见。
- 以安全的方式轻握工具，因为震动带来的风险一般来说在握力更大时会更高。如果可能，使用平衡器支撑工具的重量。
- 要避免噪声及振动水平无谓增加：
 - 按照本说明书手册操作和维护工具，以及选择、维护和更换附件及消耗品；
 - 使用消音材料防止工件“发出声响”。

工作场所的危险

- 滑倒/绊倒/跌倒是造成严重伤害或死亡的一个主要原因。要注意地面上或者工件台面上多余的管子。
 - 避免在工作过程中吸入粉尘或烟雾，或触碰碎屑，这些情况可能引起健康问题（例如，癌症、出生缺陷、哮喘和/或皮炎）。在处理可产生尘埃颗粒的材料时，请使用吸尘装置并戴上呼吸防护设备。
 - 砂磨、锯切、打磨、钻孔等生产活动所产生的某些粉尘可能含有加州当局已知的可能导致癌症、先天性缺陷或其他生殖伤害的化学物品。例如：
 - 铅基涂料中的铅
 - 结晶硅砖和水泥以及其他泥工产品
 - 经过化学处理的橡胶中含有的砷和铬
- 您暴露于这些化学物质的风险因您做该类工作的频率而异。为了降低您暴露于这些化学物品的风险，请注意下列事项：应该在通风良好的区域内工作，并使用经过核准的安全设备，比如专用的可以滤掉微粒的防尘面罩。
- 在不熟悉的环境中，请谨慎操作。因为可能存在隐藏的危险，比如电线或其他公用设施线路。
 - 喷砂或打磨操作中产生的灰尘和烟尘可能造成潜在的爆炸性环境。请始终使用除尘系统或与被处理材料相配的抑爆系统。
 - 本工具不适宜在有潜在爆炸危险的环境中使用，并且其与电源亦不绝缘。

产品特定说明

一般操作安全

开始作业之前

- 空转速度检查
 - 6.3 bar / 90 PSIG 压力下的测定速度不得超过磨砂机上标注的额定转速。
 - 检查空转转速之前请取下背衬垫板和外部法兰。
 - 每日检查空转速度，尤其是长时间未使用后。
 - 确保标注在工具上的转速清晰可见。
 - 如发生超速，请将工具返厂修理。
- 触发器检查
 - 确保触发器正常工作。
 - 如果不能正常工作，请更换它。
 - 切勿拆除触发器或用胶带锁定它。
- 最大速度检查
 - 确保背衬垫板和打磨纸注明的最大转速大于或等于磨砂机上标注的转速。
- 背衬垫板检查
 - 确保背衬垫板是否未破裂或损坏。
 - 确保背衬垫板具有正确的孔尺寸、可以正确安装到主轴上，以免产生不平衡的振动。
 - 若背衬垫板损坏，请立即拆除并更换。

- 法兰和背衬垫板检查
 - 更换背衬垫板/打磨纸或调整工具时，请始终关闭气源。
 - 确保法兰和背衬垫板的组合符合国家法规。
 - 确保法兰清洁且未破损。
 - 使用建议的拧紧扭矩安装法兰。
 - 装配背衬垫板后，请在有防护的区域内试运转磨砂机。
 - 确保磨砂机正常工作。
- 个人防护装置：

确保操作员使用：

 - 眼部护具、护目镜或护面罩。
 - 耳部护具
 - 手套
 - 钢头鞋
 - 防护衣物（例如皮围裙）。
 - 头盔（对于繁重的作业）
 - 避免衣物宽松肥大、头发松散以及佩戴珠宝（存在卷入风险）。
- 作业区

确保工作区域内无其他人员，以免人员受伤。

 - 附近人员也必须佩戴耳部和眼部护具。
 - 确保场地具备充分的通风和除尘条件。
 - 确保有一个可以用来安全存放工具的支架或者场所。
 - 请在封闭区域内作业，如果可能最好带有防护墙。因为破损的背衬垫板可能飞出。

作业期间

如果使用期间产生反常的噪音和振动，请停止使用工具。
此工具及其附件不得以任何形式进行改造。

操作

安装 / 操作

参见方案 3.

- 务须确保机器断开与能源的连接，以免意外运行。
- 将配件正确固定到机器上。使用主轴锁 (1) 帮助更换配件。
- 将设备连接到清洁、干燥的气源。
- 调节气压调节器，使工具处的压力为 6.3 bar / 90 PSIG。
- 使用空气管路润滑器和 SAE #10 机油进行润滑，调整为每分钟两滴。
- 要启动机器，请解锁并按下安全杆 (2)。释放安全杆以停止。

旋转手柄

参见方案 4.

- 务须确保机器断开与能源的连接，以免意外运行。

2. 拆下手柄 (1)。
3. 拧下螺钉 (2)。
4. 将支架 (3) 旋转到所需位置。
5. 拧紧螺钉 (2)。
6. 安装手柄 (1)。

作业完毕

警告 停止时间可能会超过 5 秒。

- ▶ 放下工具前，确保其关闭并且已完全停止。
- ▶ 停止时间取决于所使用的磨粒。

小心放下工具，确保工具不会自己/自行启动。

维护和保养

维护说明

- 遵循本国/地区的环境法规，安全处理和处置所有部件。
- 必须由合格人员使用原装备件进行维护和修理工作。如果需要关于技术维修的建议或者需要备件，请与制造商或最近的授权经销商联系。
- 务须确保机器断开与能源的连接，以免意外运行。
- 如果工具每天都使用，请每 3 个月 (500 小时) 拆下并检查工具一次。更换损坏或磨损的部件。
- 为了最大程度减少停工时间，建议使用以下维修套件：**调试套件**

处置

- 在处理本设备时，必须遵循各自国家的立法。
- 所有受损、严重磨损或工作异常的器件均不得继续投入使用。

有用的信息

安全数据表

安全数据表描述 Chicago Pneumatic 销售的化学产品。

有关更多信息，请访问 Chicago Pneumatic 网站 qr.cp.com/sds。

原产地

Hungary

网站

有关我们的产品、配件、备件和已发布事项的信息，请访问 Chicago Pneumatic 网站。

请访问：www.cp.com。

版权所有

© 版权所有 2023, CHICAGO PNEUMATIC Tool Co.LLC, 1815 Clubhouse Road, Rock Hill, SC 29730 - USA

保留所有权限。禁止对此内容或其部分内容进行任何未经授权的使用或复制。本规定专门适用于商标、型号名称、部件编号和图纸。请仅使用经授权的部件。保修或产品责任不包括任何由于使用未经授权的部件而造成的损坏或故障。

技術データ

ツールデータ

モデル	無負荷回転数(rpm)	重量 (kg)	重量 (ポンド)
CP3650-120AB	12000	1.8	4
CP3650-120AA	12000	1.8	4
CP3650-085AB	8500	1.8	4
CP3650-085AA	8500	1.8	4
CP3650-075AB	7500	1.8	4

最大作動圧力

6.3 bar / 90 psig

宣言

EU 適合宣言

弊社CHICAGO PNEUMATIC Tool Co.LLC, 1815 Clubhouse Road, Rock Hill, SC 29730 - USAは、弊社製品(名称、型式、およびシリアル番号に関してはフロントページ参照)が次の指令に準拠していることを、当社単独責任の下で宣言します：

2006/42/EC (17/05/2006)

適用する整合規格：

EN ISO 11148-8:2011

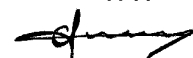
当局は、以下から関連する技術情報を要求できます。

Pascal Roussy, R&D Manager, Ets Georges Renault, 38 rue Bobby Sands, BP10273 44818 Saint Herblain, France

Saint-Herblain, 2023/06/05

Pascal ROUSSY

署名



騒音と振動に関する宣言

騒音レベル - ISO 15744

型式	L _{pA} dB(A)	L _{WA} dB(A)
CP3650-120AB	93	104
CP3650-120AA	93	104
CP3650-085AB	93	104
CP3650-085AA	93	104
CP3650-075AB	90	101

L_{pA} dB (A) : 音圧レベル

L_{WA} dB (A): 音響パワーレベル

K/kPa = KWA = 3 dB: 不確かさ

振動レベル - ISO 28927-2

型式	振動 (m/s ²)
CP3650-120AB	2.6
CP3650-120AA	2.6
CP3650-085AB	2.3
CP3650-085AA	2.3
CP3650-075AB	2

これらの宣言値は、規定の基準に従って行われた実験室環境でのテストにより得られたもので、同じ基準に従ってテストされた他のツールの宣言値との比較に適する。これらの宣言値は、リスク評価における使用には適しておらず、個々の作業現場における測定値が宣言値を上回る場合もあり得る。実際の暴露値と個々の使用者が被る被害は様々であり、使用者の作業方法、作業対象物、作業環境、および使用者の暴露時間と健康状態に依存する。

当社 CHICAGO PNEUMATIC Tool Co.LLCは、弊社が管理できない作業場所の状況における個々のリスク評価において、実際の露出を反映した値ではなく宣言した値を使用した影響に対して責任を負うことはできません。

本ツールの利用が適切に管理されていなければ、手腕振動障害を引き起こすことがあります。手腕振動を管理するためのEUのガイドは、<http://www.pneuop.eu/index.php>にアクセスし、「ツール」、次に「法制」を選択すれば見ることができます。

振動暴露によると思われる初期症状を発見するために、定期的な健康診断の実施が望ましい。これにより、将来の機能障害を防ぐための管理手法を見直すことが可能となる。

- ① 本装置を固定して使用する場合、放出騒音は機械組立員への参考として表示してあります。完成機械用の放出騒音および放出振動のデータは機械の取扱説明書に記載されています。

地域の要件

⚠ 警告

本製品によって、カリフォルニア州において癌や出生異常、その他生殖能への悪影響を引き起こすことが知られている鉛などの化学物質に晒されることがあります。詳細情報については<https://www.p65warnings.ca.gov/>をご覧ください。

<https://www.p65warnings.ca.gov/>

安全

捨てないでください - ユーザに渡してください

⚠ 警告 このパワーツールに付属するすべての安全警告、指示、図、仕様をお読みください。

以下に列記したすべての指示に従わない場合、感電、火災および/あるいは重傷に至る危険性があります。

今後の参考のために、すべての警告と注意事項を保管しておいてください。

⚠ 警告 設置、運転、およびメンテナンスに関連する、地域で制定された安全基準は常に順守されなければなりません。

使用に関するステートメント

- 業務用専用です。
- 本製品とその付属品は絶対に改造しないでください。
- 損傷している場合は本製品を使用しないでください。
- 本製品のツールデータ、危険性の警告サインの読み取りができなくなったり、外れている場合、即座に交換してください。
- 本製品は、工業的環境において有資格の担当者のみが設置、操作、修理するようにしてください。

使用目的

本製品は、コーティングした研磨剤または研磨装置を使って材料を除去または研磨するために設計されています。その他の用途での使用は許可されていません。

一般的な安全に関する注意事項

① ポータブルエアツールに関する追加安全情報:

- CAGI 2528 - B186.1、「ポータブルエアツールの安全規定 (SAFETY CODE FOR PORTABLE AIR TOOLS)」はGlobal Engineering Documents (<https://global.ihs.com/>) から入手いただくか、+1 800 447-2273までお電話ください。ANSI (米国規格協会) 規格が入手できない場合は、<http://www.ansi.org/> からANSIまでお問い合わせください。

給気と接続の危険性

- 加圧された空気は重傷を引き起こす可能性があります。
- 使用していないとき、アクセサリを変更する前、または修理を行うときは、常に空気供給を遮断し、ホースから空気圧を抜いて、空気供給からツールを外してください。
- エアを決して自分または他の人に向けしないでください。
- ホースが暴れると重傷を引き起こす可能性があります。ホースや継手が損傷しているか、緩んでいないかを常に確認してください。
- ツールでクイックディスクコネクタカップリングを使用しないでください。正しい据え付け方法については、手順を参照してください。
- ユニバーサルツイストカップリングを使用する場合は常に、ロックピンを取り付ける必要があります。
- 6.3 bar/90 psig またはツールの銘板に書かれている最高空気圧を超えないようにしてください。

フィンガーガードチェック (オプション機能はスペアパーツリストを参照)

- 推奨のフィンガーガードを使用して、損傷がないことを確認してください。

- フィンガーガードを手とサンディングパッドの間に配置します。
- フィンガーガードが正しく固定されていることを確認してください。

絡まりの危険性

- 作動中の研磨パッドには近づかないでください。始動弁が閉じたあと、研磨機のデュアルアクションにより研磨部は作動を続けます。これは数秒間続きます。
- ルーズな衣服、手袋、装身具、ネックレス、頭髮などを工作機械および付属機器に近づけないようにしないと、機械詰まり、頭皮の引き込み、裂傷などを引き起こす原因になります。

飛散物の危険性

- 付属機器、研磨材、または加工部材から破片が猛速で飛び散ってくる場合があります。小さな飛散物であっても目を傷つけて失明の原因となります。
- ツールの操作、修理、保守の際、あるいはツールのアクセサリを交換する際、または、その近くにいる場合、必ず目と顔を守る耐衝撃性防具を着用してください。
- 同じ場所にいるほかの全員も、耐衝撃性のある目と顔の保護装備を装着してください。
- 回転式研磨機またはポリリッシャーの速度はタコメーターで毎日確認し、バックアップパッド、ドラム、または研磨部に表示された回転数RPMを超えないようにします。
- バックアップパッド / 研磨部が所定の用具で研磨機に安全に固定されているか確認してください。
- ワークピースがしっかりと固定されているか確認してください。

付属品の危険性

- 付属品交換時には必ず給気を切り、ホースの空圧を解除してからツールを給気から外してください。
- 研磨部のサイズとタイプは推奨されたものだけをお使いください。
- バックアップパッド、ドラム、または研磨部の制限速度が決してエアサンダーよりも低くならないようご注意ください。
- グラインディングホイールや突っ切り旋盤を研磨機に取り付けしないでください。グラインディングホイールが破裂した場合、適切に保護されていないと重度の傷害または死を招くこともあります。
- 必ずコーティング研磨サンディングディスク、またはサンディングシートをエアサンダー付属のバックアップパッドに固定してお使いください。このとき、サンディングディスクは同心円状に取り付けるようにします。

操作に伴う危険性

- 作業者と保守要員には、このツールの大きさ、重量および動力の取り扱いが可能な身体能力が必要です。
- ツールを正しく保持してください。通常または突然の動きに対処するよう準備しておいてください。両手を使用できるようにしておいてください。

- サンディングパッド、研磨部、または可動面に接触すると、切断、挟まれ事故、やけどの恐れがあります。接触を避け、手の保護に適当な手袋を着用してください。
- 毎回使用前にバックアップパッドの状態を確認してください。ひび割れ、破損、または脱落しているときは使わないでください。
- 工作機械を使って作業用材に加工を施す前に、必ず研磨をかけてください。
- プラスティックやその他の非導体材料だと、ESDを起こす恐れがあります。
- 防護用具を使うことを前提に設計された工作機械は、グラインドの削りくずやその他の破片から保護するための防護用具が所定の用法で使われていなければなりません。

繰り返し動作の危険性

- 電動ツールを使って作業に関連する動作を行う際、作業者は手や腕、肩、首、その他の身体の部位に不快感を感じる可能性があります。
- 足をしっかりと保ち、無理な姿勢やバランスを崩した姿勢を避けながら操作しやすい姿勢を取ってください。長時間の作業中に姿勢を変えることで、不快感や疲労を避けることができます。
- 持続的な不快感や繰り返しのある不快感、痛み、拍動、疼き、刺痛、麻痺、焼けるような感覚、固さといった兆候を無視しないでください。ツールの使用を中止し、雇用主に伝え、医師の診察を受けてください。

ノイズおよび振動障害

- 高サウンドレベルにより永久に聴力が失われたり、耳鳴りなどの問題が生じることがあります。ご自身の雇用者、または職業上の健康と安全のための規定で推奨される防音用耳栓を使用してください。
- 振動への暴露は神経を損傷し、手腕の血液供給を阻害する危険性があります。温かい衣服を着用し、手を暖かく乾燥した状態に保ってください。麻痺やチクチクした痒みがある場合、または肌が蒼白化した場合、ツールの使用を中止し、雇用主に伝えて医師の診察を受けてください。
- 握る力を強くすると振動の危険性が一般に高くなるため、ツールは軽く安全に握って保持してください。できれば、バランスでツールの重量を支えてください。
- 騒音や振動のレベルが不必要に高くないようにするには、
 - 本取扱説明書にしたがってツールを操作、保守し、アクセサリと消耗品を選択、保守、交換します。
 - 作業用材の「がたつき」を防ぐために制振材をお使いください。

作業場の危険性

- 滑ること、つまづくこと、転倒が重大なケガや死亡事故の主な原因です。歩行面や作業場の床に置かれた余分なホースに気をつけてください。

- 作業の過程で出るホコリを吸い込んだり、破片に手で触れないでください。健康上有害となる可能性があります（癌、出生異常、喘息、皮膚炎など）。浮遊粒子の生じる物質を扱う作業では、集塵機を使用し、呼吸用保護具を装着してください。
- 電動具によるサンディング、のこぎり作業、研削、穴あけ、その他の建設作業で発生する粉塵の中には、カリフォルニア州で癌や先天性欠損症またはその他の生殖障害を引き起こすことが知られている化学物質が含まれていることがあります。以下は、そうした化学物質の例です：
 - 鉛系塗料の鉛
 - 結晶シリカのレンガやセメントその他の築壁用製品
 - 化学処理したゴムに由来する砒素およびクロム
 こうしたものに曝されることによる危険性は、この様な作業をどれほど頻繁に行うかによって異なります。これらの化学物質への暴露を減らすには、換気の良い場所で作業し、微細粒子を除去するために特別に設計された防塵マスクなどの承認済みの安全装置を使用してください。
- 慣れない環境で作業する場合は、細心の注意を払ってください。電気配線やその他の配線など隠れた危険物が存在する可能性があります。
- サンディングまたはグライディングにより発生する粉塵や煙は、爆発性環境を生む原因になることがあります。加工用材に合わせて、必ず集塵または抑制システムを使うようにしてください。
- 本ツールは、爆発の可能性がある雰囲気では使用しないでください。本ツールは絶縁されていません。

製品の詳細説明書

操作全般における安全上の注意

作業を開始する前に

1. 無負荷回転数の確認
 - 圧力 6.3 バール / 90 PSIG での測定速度が、サンダーに記されている定格速度を超えないものとします。
 - バッキングパッドと外側のフランジを取り外して、自由速度をチェックします。
 - 無負荷回転数の確認は毎日、とりわけ長期間使用しなかった後に行ってください。
 - ツール上の速度マーキングが判読可能であることを確認してください。
 - 過速度が発生した場合には、修理のためにツールを返却してください。
2. トリガのチェック
 - トリガが正しく作動することを確認してください。
 - 正しく作動しない場合はトリガを交換します。
 - トリガを取り外したり、テープで固定したりしないでください。

3. 最大速度の確認
 - バッキングパッドと研磨シートの規定最大速度がサンダーに記された速度以上であることを確認してください。
4. バッキングパッドチェック
 - バッキングパッドが割れたり破損していないことを確認します。
 - 不安定な振動を避けるために、バッキングパッドは、穴の直径が適切であり、スピンドルに正しく取り付けられていることを確認してください。
 - 損傷したバッキングパッドは直ちに取り外して、交換してください。
5. フランジとバッキングパッドのチェック
 - バッキングパッドや研磨シートを交換したり、ツールを調整したりするときは、必ず給気を外してください。
 - フランジおよびパッドの組み合わせが国の規制に従っていることを確認してください。
 - フランジが清潔なことと、破損していないことを確認してください。
 - 推奨締め付けトルクでフランジを取り付けます。
 - バッキングパッドを組み立てた後に、保護エリア内でサンダーを試運転してください。
 - サンダーが正しく作動することを確認してください。
6. 個人用保護具：

作業者は必ず次を使用してください。

 - 眼の保護具、ゴーグル、またはバイザー。
 - 防音保護具
 - 手袋
 - つま先にスチールキャップの入った靴
 - レザーエプロンなどの保護服。
 - ヘルメット (重アプリケーション用)
 - 挟まる危険があるので、ゆるく垂れ下がった服、髪、装身具を避けます。

7. 作業範囲

- けが人が出ないよう、作業しているエリアには誰もいないことを確認してください。
- そばにいる人は耳および眼用保護具を着用しなければなりません。
 - 建物の換気および集塵設備が適切であることを確認します。
 - ツールを安全に置けるスタンドまたは場所があることを確認します。
 - 可能であれば保護壁のある封鎖エリア内で作業してください。壊れたバッキングパッドが飛び外れるリスクがあります。

作業中

使用中に異常に大きな音や振動が発生した場合はツールの使用を停止してください。

本ツールとそのアクセサリは絶対に改造しないでください。

操作

設置/操作

スキーマ3を参照してください。

1. 偶発的な作動を回避するために、マシンが電源から切断されていることを必ず確認してください。
2. アクセサリを機械に正しく固定します。スピンドルロック(1)を使用して、アクセサリの交換を補助します。
3. デバイスを清潔で乾燥した空気供給源に接続します。
4. ツールで 6.3 バール/90 PSIG になるように空気圧レギュレーターを調整します。
5. エアラインに SAE #10 オイルのラインオイラーを使用し、1分当たり2滴に調節してください。
6. 機械を始動させるには、ロックを解除して安全レバー(2)を押します。この安全レバーを放すと停止します。

ハンドルの回転

スキーマ4を参照してください。

1. 偶発的な作動を回避するために、マシンが電源から切断されていることを必ず確認してください。
2. ハンドル(1)を取り外します。
3. ネジ(2)を取り外します。
4. ブラケット(3)を目的の位置まで回転させます。
5. ネジ(2)を締めます。
6. ハンドル(1)を取り付けます。

作業後

⚠ 警告 停止時間は5秒を超えることがあります。

- ▶ 横に置く際にはツールの電源が切れていることを必ず確認し、完全に止まっていることを確認してください。
- ▶ 停止時間は研磨材の使用によって異なります。

ツールを慎重に置いて、ツールが自動的に始動しないようにします。

サービスとメンテナンス

メンテナンスに関する注意事項

- すべてのコンポーネントの安全な取り扱いと廃棄については、現地の環境規制に従ってください。
- メンテナンスおよび修理作業は、必ず元のスペアパーツを使用して、資格を持った担当者が行う必要があります。技術的サービスに関するアドバイスが必要な場合やスペアパーツが必要な場合は、メーカーまたはお近くの販売店までお問い合わせください。
- 偶発的な作動を回避するために、マシンが電源から切断されていることを必ず確認してください。

- ツールを毎日使用している場合は、3カ月(500時間)毎にツールを分解して点検してください。破損または磨耗した部品は交換してください。
- ダウンタイムを最小限に抑えるために、次のサービスキットをお勧めします：**チューンアップキット**

廃棄

- この機器を廃棄する場合は、各国の法律に従う必要があります。
- 損傷した、ひどく磨耗した、または不適切に機能するデバイスはすべて、**運転しないようにしなければなりません。**

有用な情報

安全データシート

安全データシートには、Chicago Pneumaticが販売する化学製品が記載されています。

詳細情報については、Chicago Pneumaticウェブサイト (qr.cp.com/sds) を参照してください。

生産国

Hungary

ウェブサイト

当社の製品、付属品、スペアパーツおよび公表事項に関する情報は、Chicago PneumaticのWebサイトにてご覧いただけます。

次をご覧ください：www.cp.com.

著作権

© 著作権 2023, CHICAGO PNEUMATIC Tool Co.LLC, 1815 Clubhouse Road, Rock Hill, SC 29730 - USA

無断複写・複製・転載を禁ず。本書の内容の一部または全部を無断転載あるいは不正使用することは禁止されています。上記禁止行為は、特に商標、モデルの文書化、部品番号および図面に適用されます。認可済みの部品のみ使用してください。未認可の部品の使用によって引き起こされる一切の損傷または誤動作は、保証責任または製造物責任の対象とはなりません。

기술 자료

공구 자료

모델	공회전 속도 (rpm)	무게 (kg)	무게 (lb)
CP3650-120AB	12000	1.8	4
CP3650-120AA	12000	1.8	4
CP3650-085AB	8500	1.8	4
CP3650-085AA	8500	1.8	4
CP3650-075AB	7500	1.8	4

최대 작동 압력

6.3 bar / 90 psig

선언

EU 적합성 선언

CHICAGO PNEUMATIC Tool Co.LLC,
1815 Clubhouse Road, Rock Hill, SC 29730 -
USA은(는) 제품(이름, 종류 및 일련번호 포
함, 제1면 참조)이 다음 지침을 준수하고 있음
을 당사의 전적인 책임 하에 선언합니다.



2006/42/EC (17/05/2006

합의 표준 적용:

EN ISO 11148-8:2011

관련 기술 정보는 관계 당국에서만 요청할 수
있음:

Pascal Roussy, R&D Manager, Ets Georges Re-
nault, 38 rue Bobby Sands, BP10273 44818
Saint Herblain, France

Saint-Herblain, 2023/06/05

Pascal ROUSSY

서명

소음 및 진동 표시 선언

소음 레벨 - ISO 15744

모델	L _{pA} dB(A)	L _{WA} dB(A)
CP3650-120AB	93	104
CP3650-120AA	93	104
CP3650-085AB	93	104
CP3650-085AA	93	104
CP3650-075AB	90	101

L_{pA} dB(A): 음압 레벨

L_{WA} dB(A): 음향 파워 레벨

K / K_{pA} = K_{WA} = 3 dB: 불확도

진동 레벨 - ISO 28927-2

모델	진동 (m/s ²)
CP3650-120AB	2.6
CP3650-120AA	2.6
CP3650-085AB	2.3
CP3650-085AA	2.3
CP3650-075AB	2

이러한 표시 값은 언급된 표준에 따라 실험실 유형 테스
트에 의해 획득되었으며 동일한 표준에 따라 테스트한 다
른 공구의 표시 값과 비교하기에 적합합니다. 이러한 표
시 값은 위험 평가에 사용하기에 적합하지 않으며 개별
작업장에서 측정된 값이 더 높을 수 있습니다. 실제 노출
값과 개별 사용자가 경험한 유해 위험 수준은 고유하며
사용자의 작업 방식, 작업 대상물, 작업대 설계 뿐만 아니
라 노출 시간 및 사용자의 신체적 조건에 따라 다릅니다.

CHICAGO PNEUMATIC Tool Co.LLC는 당사가 통제할
권한이 없는 작업장 상황에서 개별적인 위험 평가로 실제
노출을 반영하는 값 대신 표시 값의 사용에 따른 결과에
대해 책임을 지지 않습니다.

본 공구를 적절히 관리하면서 사용하지 않으면 손-팔 진
동 증후군이 유발될 수 있습니다. 손-팔 진동 증후군 관리
에 대한 EU 참고 자료는 <http://www.pneurop.eu/index.php>
에 접속한 다음 '공구', '법규' 순으로 선택하면 확인할 수
있습니다.

당사는 소음 또는 진동 노출과의 관련 가능성이 있는 증
상을 조기에 감지하는 건강 감시 프로그램을 권장하며,
이를 통해 관리 절차를 수정하여 향후 발생할 수 있는 장
애를 사전에 차단할 수 있습니다.

① 이 장비는 고정 설비에 사용하도록 되어 있습니다.
소음 방출은 기계 설치업자의 참고 자료로 활용됩니
다. 완성된 기계의 소음 및 진동 방출 데이터는 기계
의 사용 설명서에 수록되어 있습니다.

지역 요구 사항

⚠ 경고

이 제품을 사용하면 캘리포니아 주에서 보고된 암 및
선천적 장애 또는 기타 출산 장애를 유발하는 납을 포
함한 화학 물질에 노출될 수 있습니다. 자세한 정보는
<https://www.p65warnings.ca.gov/> 웹 사이트를 참조하
십시오.

<https://www.p65warnings.ca.gov/>

안전

버리지 마십시오 – 사용자에게 주십시오

⚠ 경고 이 전동 공구와 함께 제공되는 모든 안전 경고,
지침, 그림 및 사양을 읽으십시오.

아래 나열된 지침을 모두 따르지 않으면 감전, 화재
및/또는 심각한 상해가 발생할 수 있습니다.

나중에 참조할 수 있도록 모든 경고와 지침을 보관하
세요.

⚠ 경고 설치, 운영 및 유지보수에 대해 지역별로 지정된
안전 규칙은 언제나 지켜야 합니다.

용도 선언

- 전문 용도로만 사용하십시오.
- 이 제품과 그 부속품을 변형시켜서는 안 됩니다.
- 이 제품이 손상된 경우 사용하지 마십시오.
- 제품 데이터 또는 위험 경고 징후가 보이거나 확실한
경우, 기다리지 말고 즉시 교체하십시오.
- 이 제품은 산업용 조립 환경에서 자격을 갖춘 담당자
만 설치, 작동 및 수리할 수 있습니다.

용도

이 제품은 코팅 처리된 연마재를 사용하여 물질을 제거하
거나 광택용 부착물을 사용하여 광택을 내는 용도로 제작
되었습니다. 다른 용도는 허용되지 않습니다.

일반 안전 지침

① 휴대용 에어 공구에 관한 추가 안전 정보:

- CAGI 2528 - B186.1, 휴대용 에어 공구의 안전 코드는, <https://global.ihs.com/>에서 글로벌 엔지니어링 문서를 찾아보시거나 전화 +1 800 447-2273로 문의해 주십시오. ANSI 표준의 취득에 어려움이 있으면, <https://www.ansi.org/>를 통해 ANSI에 연락하십시오.

공기 공급 및 연결의 위험

- 절대 공기를 자신이나 다른 사람에게 향하게 하지 마십시오.
- 사용하지 않거나, 부속품을 교체하거나 수리 시에는, 항상 공기 공급 장치를 닫은 다음 호스의 공기 압력을 제거하고 나서 공구를 공기 공급 장치로부터 분리합니다.
- 절대로 공기가 자신이나 다른 사람을 향하도록 하지 마십시오.
- 공기를 뿜으며 움직이는 호스는 중상을 초래할 수 있습니다. 호스와 피팅이 느슨하거나 손상되지 않았는지 항상 점검해 주세요.
- 퀵 디스커넥트 커플링을 공구에 사용하지 마십시오. 올바른 설치에 대한 설명을 참조해 주세요.
- 범용 트윈스트 커플링의 사용시 반드시 잠금 핀을 설치해야 합니다.
- 최대 공기 압력인 6.3 bar/90 psig 혹은 공구 명판의 한도를 초과하지 마십시오.

손가락 보호대 점검 (옵션 기능은 예비 부품 목록 참조)

- 권장 휠 가드만을 사용하고 손상되지 않았는지 확인해 주세요.
- 손과 샌딩 패드 사이에 손가락 보호대를 배치하세요.
- 손가락 보호대가 제대로 고정되었는지 확인해 주세요.

엄힘 위험

- 움직이는 샌딩 패드로부터 멀리하십시오. 기동 밸브가 닫힌 후에도 연마재가 계속 작동할 수 있으며 듀얼 액션 샌더의 경우, 몇 초간 지속될 수 있습니다.
- 느슨한 의복, 장갑, 보석류, 넥타이 종류 및 머리카락을 공구 및 부속품으로부터 멀리하지 않으면 질식, 두피 손상 및/또는 열상이 발생할 수 있습니다.

발사체의 위험

- 부속품이나 연마재 또는 작업물을 제대로 사용하지 못하면 고속 투사물이 생성될 수 있습니다. 작은 투사물이라도 눈을 상하게 하거나 실명을 초래할 수 있습니다.
- 작업을 하거나 근처에 있을 경우, 공구의 수리나 유지 보수 시 혹은 공구의 부속품 교체 시에는, 항상 내충격 눈 및 안면 보호 장비를 착용해야 합니다.
- 작업 영역에 있는 모든 사람들이 내충격 눈 및 안면 보호 장비를 착용하세요.
- 회전 속도계를 사용하여 회전 샌더나 연마기의 속도를 매일 측정하여, 그 속도가 지지용 패드, 드럼 혹은 연마재에 표시된 RPM을 초과하지 않도록 해야 합니다.
- 제공된 공구를 사용하여 지지용 패드 / 연마재가 연마기에 확실히 고정되어 있는지 확인하십시오.

- 작업물이 확실히 고정되어 있는지 확인하십시오.

부속품의 위험

- 부속품 교체 시에는 항상 공기 공급을 끊은 다음 호스에서 공기 압력을 빼고 공기 공급으로부터 공구를 분리하셔야 합니다.
- 권장 크기 및 유형의 연마재만 사용합니다.
- 지지용 패드, 드럼 또는 연마재를 에어 샌더 속도에 허용된 속도보다 낮은 속도에서 사용하지 마십시오.
- 연마용 또는 절삭용 휠을 샌더에 장착해서는 안됩니다. 연마용 휠이 터질 경우 적절한 보호가 없다면 심각한 부상이나 사망을 초래할 수 있습니다.
- 공기 연마기와 함께 제공되는 지지용 패드에 제대로 고정된 코팅 처리된 연마용 샌딩 디스크나 시트만을 사용하십시오. 자가 고정용 샌딩 디스크는 중심이 같도록 장착하십시오.

작업 시 위험

- 작업자와 유지보수 인원은 이 공구의 부피와 중량 및 힘을 육체적으로 취급할 수 있어야 합니다.
- 공구를 올바르게 잡으십시오. 정상적이거나 갑작스러운 움직임에 대처할 준비를 하세요. 두 손을 사용할 수 있어야 합니다.
- 샌딩 패드, 연마재 또는 작업 표면에 닿으면 베이거나 끼이거나 화상을 입을 수 있습니다. 접촉을 피하고 적절한 장갑을 착용하여 손을 보호하십시오.
- 지지용 패드는 사용 시 매번 검사하십시오. 갈라지거나 부서지거나 떨어뜨린 적이 있는 경우 사용하지 마십시오.
- 연마재가 작업물에 적용되지 않는 상태에서는 절대로 공구를 작동하지 마십시오.
- 플라스틱이나 비도전성 물질에 사용하는 경우 정전기 방전의 위험이 있습니다.
- 보호 장치가 요구되는 공구 사용 시, 그 보호 장치가 제 위치에 있어야만 연마되는 찌스리기 및 기타 부스러기로부터 보호됩니다.

반복적인 동작의 위험

- 파워 공구를 사용하여 작업 관련 활동을 수행할 때 작업자가 손, 팔, 어깨, 목 또는 기타 신체 부위의 불편감을 경험할 수 있습니다.
- 편안한 자세를 취하되 서 있는 자세를 안정적으로 유지하고 어색하거나 불균형한 자세를 취하지 않아야 합니다. 장시간 작업하는 동안 자세를 바꾸면 불편감과 피로를 해소하는 데 도움이 됩니다.
- 불편감, 통증, 육신거림, 쑤심, 저림, 무감각, 화끈거림 또는 뻣뻣함이 지속되거나 재발되는 등의 증상을 무시하지 마십시오. 이러한 경우, 공구 사용을 중단하고 고용주에게 알린 다음 의사와 상담해야 합니다.

소음 및 진동 위험

- 소음 수준이 높으면 영구적인 청력 손상 및 이명과 같은 기타 문제를 야기할 수 있습니다. 귀하의 고용주나 직업 건강 및 안전 법규가 권장하는 청력 보호 도구를 사용해 주세요.
- 진동에 노출되면 신경 및 손과 팔의 혈액 공급에 심각한 손상을 야기할 수 있습니다. 따뜻한 의복을 착용하고 양손을 따뜻하고 건조하게 유지하십시오. 무감각, 저림, 통증 또는 피부 백화 증상이 발생하면, 공구 사용을 중단하고 고용주에게 알린 다음 의사와 상담하십시오.

- 일반적으로 잡는 힘이 강할수록 진동으로 인한 위험이 커지므로 공구를 잡을 때는 안전하면서도 가볍게 잡아주세요. 가능하면 밸런서로 공구의 중량을 지지합니다.
- 불필요한 소음과 진동의 증가를 방지하는 방법
 - 지침 매뉴얼에 따라 공구를 운영 및 유지보수하고, 부속품과 소모품을 선택, 유지관리, 교체합니다.
 - 감쇠 재료를 사용하여 작업물이 "울리지" 않게 하십시오.

작업장 위험

- 미끄러짐/걸려 넘어짐/추락은 중상이나 사망의 주요 원인입니다. 걸어다니거나 작업하는 장소의 표면에 호스가 남아 있을 수 있으므로 주의해 주세요.
- 질병(예: 암, 선천적 결손증, 천식 및/또는 피부염)을 유발할 수 있는 작업 과정에서 발생하는 분진 또는 연무의 흡입이나 부스러기의 취급을 피해야 합니다. 공기 중 입자를 생성하는 재질을 사용하는 작업 시, 분진 추출 장치를 사용하며 호흡 보호구를 착용하십시오.
- 톱질, 연삭, 드릴링 및 기타 건축 활동에 의해 생성되는 일부 분진은, 캘리포니아 주에서 정한 암, 태아 기형 또는 기타 생식 관련 손상을 초래하는 것으로 알려진 화학물질을 함유합니다. 이러한 화학물질의 예는 다음과 같습니다.
 - 납 기반 페인트의 납
 - 결정성 실리카로 만든 벽돌, 시멘트 및 기타 석재 제품들.
 - 화학 처리된 고무의 비소 및 크롬.
 이러한 노출에 따른 위험은 이러한 유형의 작업 빈도에 따라 다릅니다. 이러한 화학물질에 대한 노출 감소 방법: 환기가 잘 된 장소에서 작업하며, 미립자를 여과하도록 특별히 설계된 분진 마스크와 같은 승인 받은 안전 장비를 사용하여 작업.
- 익숙하지 않은 환경에서는 주의해서 작업을 진행해 주세요. 전기나 기타 공조 라인과 같은 보이지 않은 위험이 있을 수 있습니다.
- 샌딩이나 연삭에 의해 발생하는 분진이나 연무는 폭발성 환경을 초래할 수 있습니다. 처리 대상의 물질에 적절한 분진 추출 혹은 억제 장치를 사용하십시오.
- 이 공구는 폭발 가능성이 있는 대기에서의 사용을 위한 것이 아니며, 전원과 접촉 시 절연되어 있지 않습니다.

제품별 설명

일반 작동 안전 지침

작업 시작 전

1. 공회전 속도 검사
 - 6.3 bar/90 PSIG 압력에서 측정된 속도는 샌더에 표시된 정격 속도보다 높아서는 안 됩니다.
 - 공회전 속도 점검 전에 지지용 패드와 바깥 플랜지를 제거해 주세요.
 - 공회전 점검은 매일 실시해야 하며 특히 마지막 사용 이후 오랜 시간이 지난 경우에는 반드시 점검을 실시해 주세요.
 - 공구에 표시되는 속도가 읽을 수 있게 뚜렷하게 표시되는지 확인해 주세요.
 - 과속이 발생하면 기계를 반환하여 수리를 의뢰해 주세요.
2. 트리거 점검
 - 트리거가 올바르게 작동하는지 확인해 주세요.
 - 트리거가 올바르게 작동하지 않으면 교체해 주세요.
 - 트리거를 제거하거나 테이프로 고정하지 마세요.
3. 최대 속도 점검
 - 지지용 패드와 연마 시트의 최대 속도가 연마기에 표시된 속도보다 높거나 같은지 확인해 주세요.
4. 지지용 패드 점검
 - 지지용 패드에 균열 또는 손상이 없는지 확인합니다.
 - 불균형 진동을 방지하려면 지지용 패드가 스펀들에 정확하게 끼워져 있는지 확인해 주세요.
 - 손상된 지지용 패드를 즉시 제거하고 교체해 주세요.
5. 플랜지 및 지지용 패드 점검
 - 지지용 패드 또는 연마 시트를 교체하거나 공구를 조정할 때에는 항상 공기 공급 장치를 분리해 주세요.
 - 플랜지와 패드 결합이 국내 규정에 부합하는지 확인해 주세요.
 - 휠이 깨끗하고 손상이 없는지 확인해 주세요.
 - 권장 조임 토크에 부합하는 플랜지를 부착해 주세요.
 - 지지용 패드를 조립한 후 연마기를 안전한 곳에서 시험 작동해 주세요.
 - 연마기가 올바르게 작동하는지 확인해 주세요.

6. 개인 보호 장비

작업자 필수 사용 장비:

- 눈 보호 장비, 고글 또는 바이저
- 귀 보호 장비
- 장갑
- 철제 발가락 보호 신발
- 가죽 앞치마와 같은 보호복.
- 안전모 (중장비 작업일 경우)
- 느슨하게 늘어진 의복, 머리카락, 보석류는 착용하지 마십시오(끼일 위험이 있음).

7. 작업장

작업하는 영역에 다른 사람들이 가까이 오지 않도록 방지하여 부상을 입는 사람이 없도록 해주세요.

- 작업 영역 근처에 있는 사람도 반드시 소음 및 눈 보호 장비를 착용해야 합니다.
- 작업 영역의 환기 및 먼지 추출이 충분한지 확인해 주세요.
- 받침대 또는 공구를 안전하게 놓을 수 있는 장소가 있는지 확인해 주세요.
- 가능한 경우 보호 벽이 있는 닫힌 영역 내에서 작업해 주세요. 지지용 패드가 될 위험이 있습니다.

작업 중

공구를 사용하는 중에 비정상적으로 큰 소음이나 진동이 발생하는 경우 사용을 중지하십시오.

이 공구와 그 부속품을 변형시켜서는 안 됩니다.

작동

설치 / 작업

스키마 3 참조

1. 실수로 작동되는 것을 방지하려면 항상 기계가 동력 원으로부터 분리되었는지 확인해 주세요.
2. 공구에 부속품을 제대로 고정해 주세요. 스피들 잠금 장치(A)를 사용하여 부속품을 쉽게 교체할 수 있습니다.
3. 장치를 청결하고 건조한 공기를 공급하는 공기 공급 장치에 연결합니다.
4. 공구에서 6.3 ba / 90 PSIG의 압력을 갖도록 공기 압력 조절기를 조정해 주세요.
5. 에어 라인 유틸기에 SAE #10 오일을 충전하여 분당 2방울로 조정하여 사용해 주세요.
6. 기계를 시작하려면 잠금을 해제하고 안전 레버(2)를 눌러주세요. 정지하려면 안전 레버를 놓아주세요.

핸들 회전시키기

스키마 4 참조.

1. 실수로 작동되는 것을 방지하려면 항상 기계가 동력 원으로부터 분리되었는지 확인해 주세요.
2. 핸들(1)을 분리해 주세요.
3. 나사(2)를 제거합니다.
4. 브래킷(3)을 원하는 위치로 회전합니다.

5. 나사(2)를 조입니다.

6. 핸들(1)을 설치합니다.

작업 종료 후

⚠ 경고 정지 시간은 5초 이상 소요될 수 있습니다.

▶ 공구를 내려놓기 전에 공구의 전원이 꺼져 완전히 정지된 상태가 되도록 하십시오.

▶ 정지 시간은 사용된 연마제에 따라 달라집니다.

공구가 저절로 또는 스스로 시작되지 않도록 주의해서 공구를 내려놓아주세요.

서비스 및 유지관리

유지보수 지침

- 모든 구성품의 안전한 취급 및 폐기는 해당 국가의 환경 규정을 준수해야 합니다.
- 유지 관리 및 수리 작업은 정품 예비 부품을 사용하여 자격을 갖춘 기술자만 수행해야 합니다. 기술 서비스 또는 부품을 필요로 하면 제조사 또는 가까운 공인 대리점에 문의해 주세요.
- 실수로 작동되는 것을 방지하려면 항상 기계가 동력 원으로부터 분리되었는지 확인해 주세요.
- 공구를 매일 사용하는 경우 3개월마다 공구를 분해해서 검사해 주세요. 손상되거나 마모된 부품을 교체해 주세요.
- 가동 중지 시간을 최소로 유지하기 위해 다음 서비스 키트를 권장합니다. **튠업 키트**

폐기

- 이 장비의 폐기할 경우 해당 국가의 관련 법규를 반드시 준수해야 합니다.
- 완전히 손상되고, 심하게 마모되었거나 제대로 작동하지 않는 장치는 반드시 작동을 멈추어야 합니다.

유용한 정보

안전 데이터 시트

안전 데이터 시트는 Chicago Pneumatic가 판매하는 화학 제품을 설명합니다.

자세한 정보는 Chicago Pneumatic 웹사이트 qr.cp.com/sds 을 참조하십시오.

원산지 국가

Hungary

웹사이트

제품, 부속품, 예비 부품 및 게시된 사안에 관한 정보는 Chicago Pneumatic 웹 사이트에서 찾을 수 있습니다.

다음 자료 및 웹 사이트를 참조해 주세요. www.cp.com.

저작권

© Copyright 2023, CHICAGO PNEUMATIC Tool Co.LLC, 1815 Clubhouse Road, Rock Hill, SC 29730 - USA

모든 권리 보유. 본 문서의 내용 또는 내용의 일부에 대한 비 승인된 모든 사용 또는 복사 행위는 엄격히 금지됩니다. 이는 특히, 상표, 모델 명칭, 부품 번호 및 도면에 적용됩니다. 승인된 부품만 사용하십시오. 비 인가된 부품을 사용함으로 인해 발생하는 모든 손상 또는 고장은 보증 또는 생산물 책임 범위에 포함되지 않습니다.

Original instructions
Traduction de la notice originale
Übersetzung der Originalbetriebsanleitung
Traducción de las instrucciones originales
Tradução das instruções originais
Traduzione delle istruzioni originali
Vertaling van oorspronkelijke instructies
Oversættelse af originalvejledning
Oversættelse av originalinstruksjoner.
Käännös alkuperäisistä ohjeista
Μετάφραση πρωτότυπων οδηγιών
Översättning av ursprungliga instruktioner
Перевод оригиналов инструкций
Tłumaczenie oryginalnej instrukcji

Preklad originálnych pokynov
Překlad původních pokynů
Eredeti utasítások fordítása
Prevod izvirnih navodil
Traducerea instrucțiunilor originale
Orijinal talimatların çevirisi
Превод на оригиналните инструкции
Prijevod originalnih uputa
Originaaljuhiste tõlge
Originalių instrukcijų vertimas
Oriģinālo instrukciju tulkojums
原始说明的翻译
使用說明書初出翻譯
원본 설명서의 번역문

ABOUT CHICAGO PNEUMATIC



At Chicago Pneumatic, we have a passion for performance and long-lasting partnerships with our customers in industrial applications, construction, infrastructure and maintenance. Since 1901, we have been committed to reliability based on technology and trust.

TO LEARN MORE, VISIT WWW.CP.COM

