

**DARDA®**  
**CYLINDERS 00-9, 00-12**  
**AND**  
**06-200 COMMANDING VALVE**

**NOTE:**

ALWAYS INDICATE PART NUMBER WHEN ORDERING PARTS.

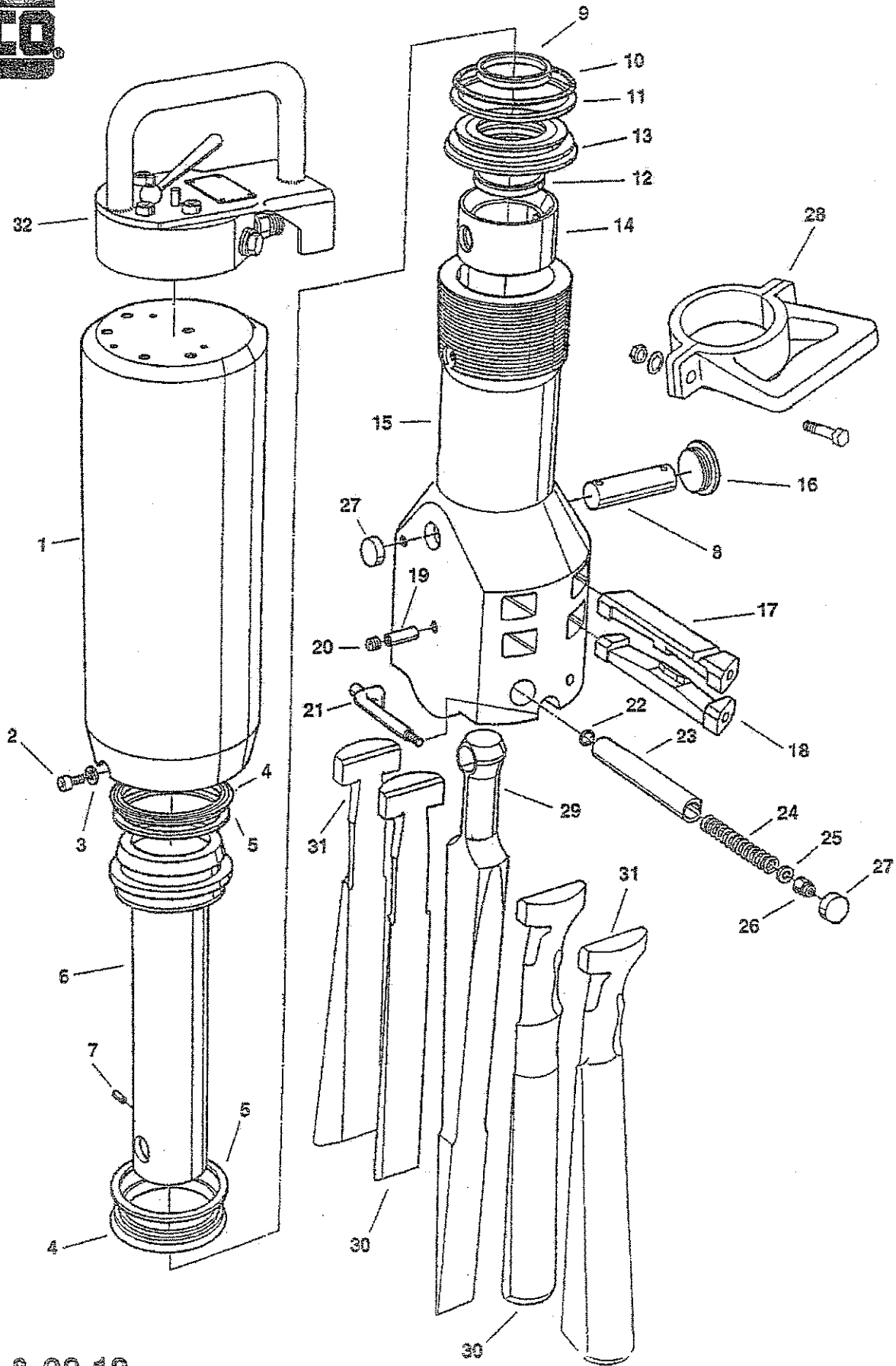
ALWAYS INDICATE THE SERIAL NUMBER OF THE CYLINDER OR PUMP WHEN CORRESPONDING OR ORDERING PARTS.



ELCO INTERNATIONAL, INC.  
111 Van Riper Avenue • Elmwood Park, New Jersey 07407  
Telephone: (201) 797-4644 • 1-800-631-3816  
Fax: (201) 797-0823



Crowder Supply Co, Inc. 8495 Roslyn St Commerce City, CO 80022 (303) 433-5144 FAX: (303) 433-3928 Toll Free: (888) 883-5144 www.crowdersupply.com



00-9 & 00-12

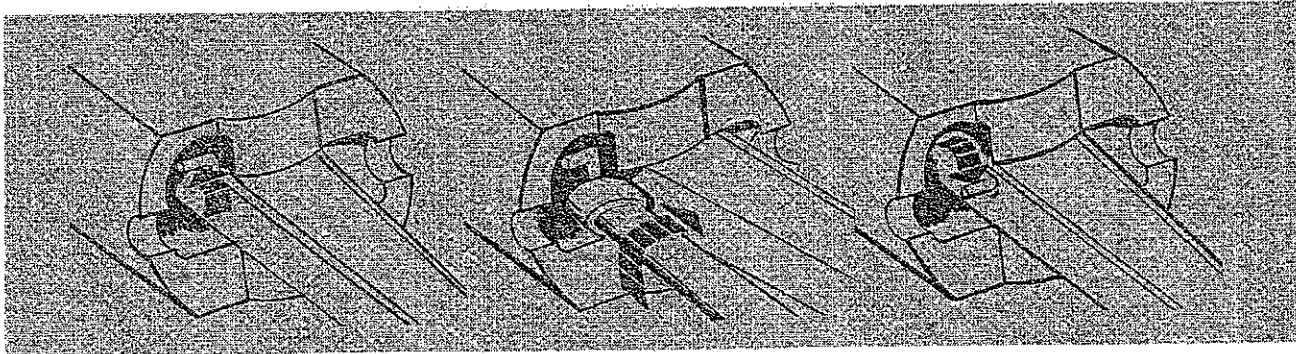
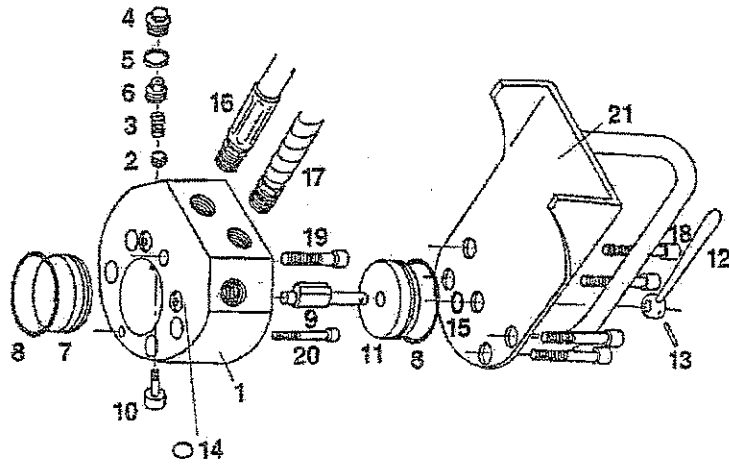
ITEM NO.	PART DESCRIPTION	NO. REQ'D	00-9 PART NO.	00-12 PART NO.
1	Upper Cylinder Shell	1	001-9	001-12
2	Lock Screw	2	0069	0069
3	Washer	2	0084	0084
4	Support Piston Seal	2	0062-9*	0062-12**
5	Piston Seal	2	0063-9*	0063-12**
6	Piston Rod	1	0046-9	0046-12
7	Pin	1	0080	0080
8	Plug Pin	1	0094-9	0094-12
9	Stuffing Box Seal Ring	1	0066-9*	0066-12**
10	O-Ring	1	0060-9*	0060-12**
11	Support Ring	1	0079-9*	N/A
12	Dirt Wiper	1	0076-79*	0076-12**
13	Stuffing Box	1	004-9	004-12
14	Guide Ring	1	0048-9	0048-12
15	Lower Cylinder Shell	1	002-9	002-12
16	Screw Plug	1	0093-78S9	0093-12
17	Upper Wear Plate	2	007-9	007-7812
18	Lower Wear Plate	2	008-9	008-7812
19	Lock Pin	4	0101	0101
20	Screw	4	0099	0099
21	Feather Lock Lever	2	0092	0092
22	O-Ring	2	0090	0090
23	Sleeve	2	0089	0089
24	Spring	2	0088	0088
25	Washer	2	0087	0087
26	Nut	2	0086	0086
27	Plastic Plug	3	0085	0085
28	Handle Set-Complete	1	017-9	017-12
29	Plug	1	010-9	010-12
30	Feather	2	011-9	011-812
31	Enlarging Feather	2	011-93	011-8123
32	Command Valve, Handle & Screws			

\*These Parts Are Included In Repair Kit 08-9

\*\*These Parts Are Included In Repair Kit 08-12

ITEM	PART NO.	DESCRIPTION	NO. REQ.
1	0610	Command Valve body	1
2	0611	Steel Ball*	2
3	0612	Spring *	2
4	0613	Screw Cover	2
5	0614	Seal	2
6	0615	Valve Seat*	2
7	0616	End Disk	1
8	0617	O-Ring*	2
9	0618	Cam Shaft	1
10	0621	Valve Shaft Assembly*	2
11	0622	Front Disk	1
12	0623	Lever	1
13	0624	Pin*	1
14	0630	O-Ring*	2
15	0659	O-Ring*	1
16	016-24	High Pressure Whip	1
17	016-25	Low Pressure Whip	1
18	0071	Socket Head Cap Screw 10x65 mm	4
19	0070	Socket Head Cap Screw 10x60 mm	1
20	0072	Socket Head Cap Screw 6x45 mm	1
21	0051	Handle	1

\*Included in Repair Kit 07-3

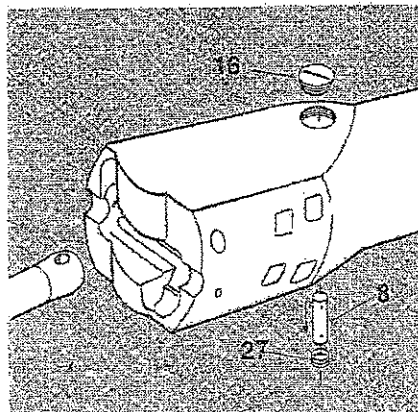
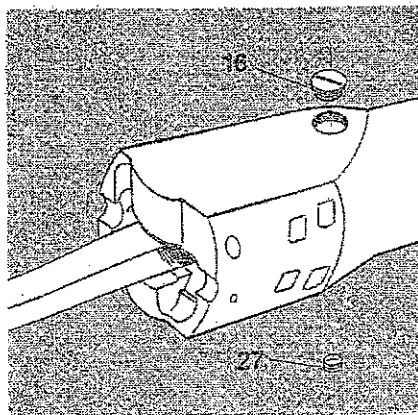


**CHANGE FEATHERS:**

1. Pull up both feather lock bars (21) and push plug and one feather to one side as far as they will go.

2. Grasp other feather, twist 90° and pull out.  
3. Move plug to other side and remove other feather.

4. Reinstall feathers using the reverse of the above.  
5. Do not attempt to operate the splitter with feathers unlatched.



**CHANGE PLUG:**

1. Extend plug fully and remove plastic plug (27) and screw plug (16).  
2. Using a small pin punch, knock out plug pin (8). Pull plug straight out.  
3. Reinstall using reverse of the above.