

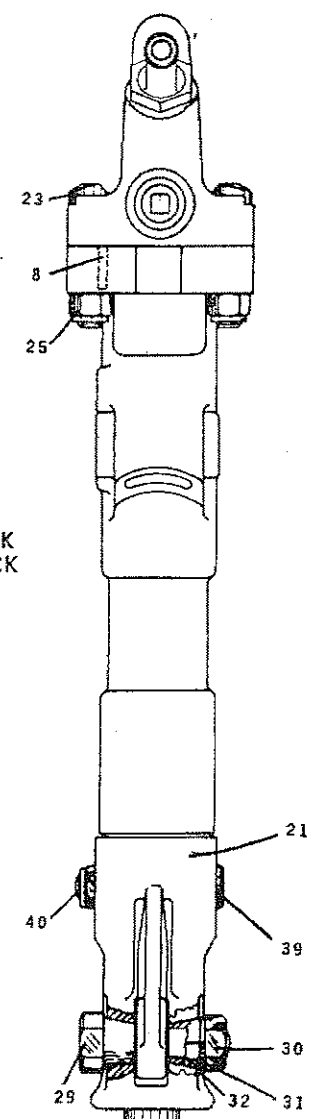
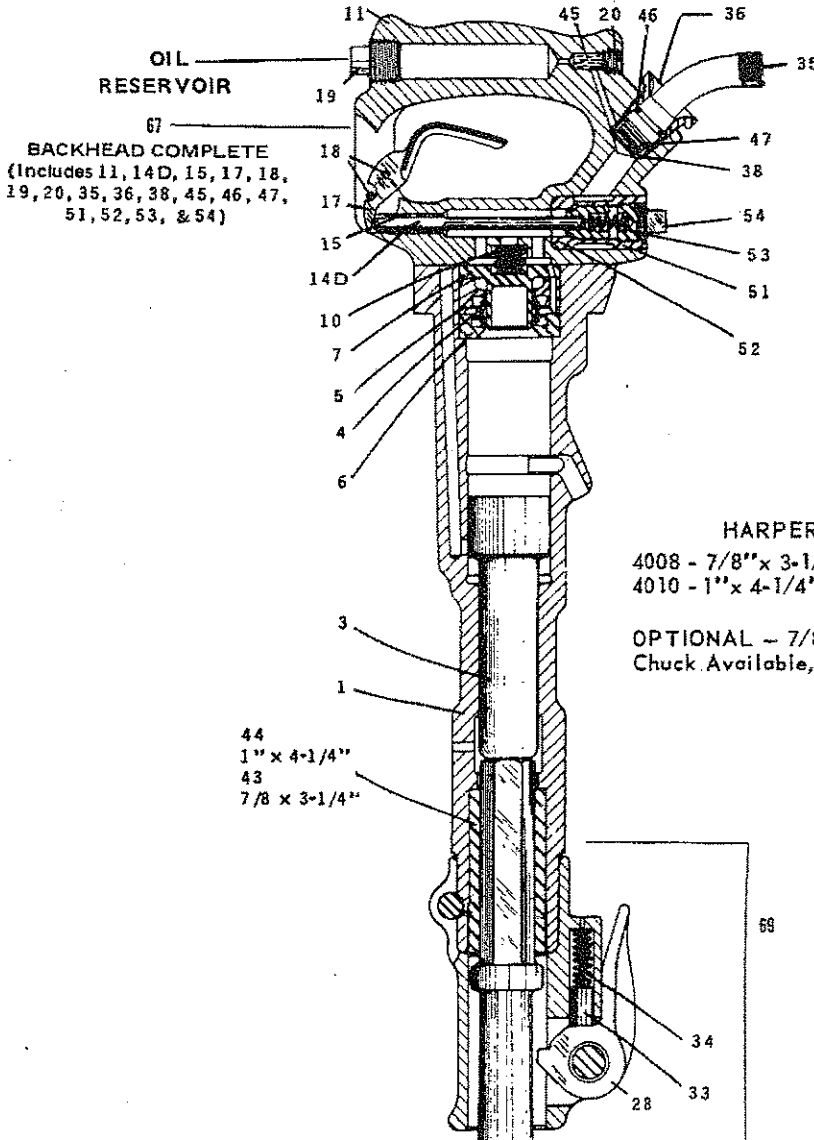
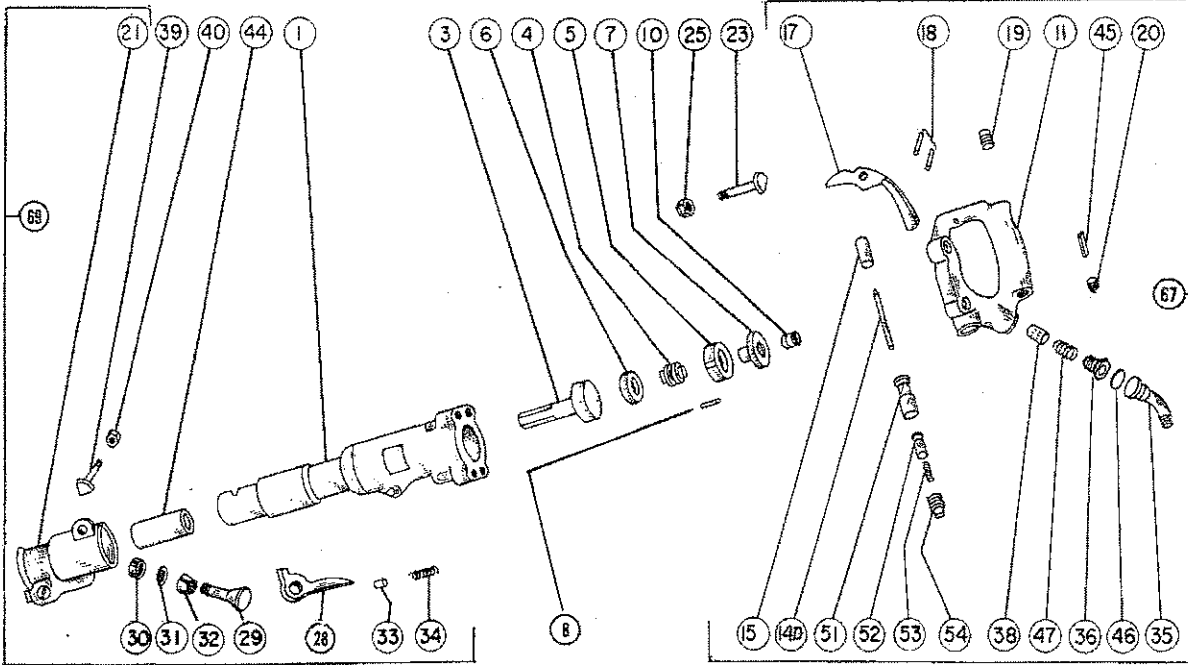


MODEL 4008 4010 CLAY DIGGER & PIN DRIVER



30 LB. CLASS

CROWDER SUPPLY CO., INC. - 8495 ROSLYN ST. - COMMERCE CITY, CO 80022 - TOLL FREE 888-883-5144 - www.crowdersupply.com



HARPER 30LB. CLAY DIGGER - INTERCHANGE PARTS LIST

HARPER SYM. NO.	NAME OF PART DESCRIPTION	AMT. REQ.	HARPER PART NO.	A.P.T. PART NO.	KENT PART NO.	THOR TOOL CO. PART NO.	
						OLD. NO.	NEW NO.
1	Cylinder (Bare)	1	66301	3567	6145	C-207	43026
3	Piston Hammer	1	66303	193	21	C-208	43028
4	Automatic Valve	1	66304	4412	6102	C-212	43038
5	Valve Chest Rear	1	66305	195	6108	C-211	43037
6	Valve Chest Front	1	66306	194	6107	C-210	43036
7	Valve Guide Stem	1	66307	197	6103	C-213	43039
8	Valve Chest Dowel Pin	1	66308	199	6105	C-217	43043
10	Plunger Spring	1	66310	1556	6104	C-216	43042
11	Backhead Bare "D"	1	66302	3748	6144	C-215	43041
14 "D"	Throttle Valve Stem	1	66312	213	2039	C-234	71683
15	Throttle Valve Stem Bushing	1	66315	212	2038	C-228	86852
17	Throttle Lever "D"	1	66317	210	6109	C-231	61963
18	Throttle Lever Pin	2	66318	211	2041	C-232	61964
19	Oil Res. Plug	1	66319	209	1143	C-233	57674
20	Oil Control Plug	1	66920	111	1286	C-2503	68073
21	Front Head (Bare)	1	66321	3143	6146	C-17010	43781
23	Backhead Bolt	4	66323	198	6129	C-17028	49020
25	Backhead Nut	4	66325	189	6130	C-17026	91126
28	Steel Retainer	1	66328	893	1137	C-17011	43784
29	Steel Retainer Bolt	1	66329	206	1139	C-17014	43787
30	Steel Retainer Bolt Nut	1	66925	208	1140	C-17017	43790
31	Steel Retainer Lock Washer	1	66924	102	1141	C-631	43143
32	Std. Ret. Bolt Bushing	1	66332	205	1142	C-17013	43786
33	Steel Retainer Plunger	1	66333	207	2034	C-17015	43788
34	Steel Retainer Spring	1	66334	204	2033	C-17012	43785
35	Air Inlet Swivel	1	66335	1816	6116	C-17018	43791
36	Air Inlet Swivel Nut	1	66336	1815	6113	C-17019	43792
38	Air Inlet Screen	1	66338	1827	2043	C-218	43044
39	Front Head Bolt	1	66339	1999	6131	C-17004	47947
40	Front Head Bolt Nut	1	66340	189	6132	C-18051	91126
43	Bushing 7/8" x 3 1/4"	1	66343	191	1280	C-205	43024
44	Bushing 1" x 4 1/4"	1	66344	192	1282	C-206	43025
45	Oil Control Felt	1	66945	112	1284	C-2504	43473
46	Air Inlet Swivel "O" Ring	1	66346	1814	6121	C-17051	91108
47	Air Inlet Swivel Spring	1	66347	1817	6114	C-18130	47754
51	Throttle Valve Bushing	1	66351	214	2038	C-235	80361
52	Throttle Valve	1	66349	216	2036	C-227	43050
53	Throttle Valve Spring	1	66353	215	2037	C-229	2502
54	Throttle Valve Cap	1	66354	209	1143	C-233	57674
66	Chuck Bushing 7/8" x 4-1/4"		66366				
67	Backhead Complete		66367	4358	6144	C-219	43045
69	Fr. Hd. Complete w/Ret.		66369	3143			

When ordering parts, please specify: MAKE, MODEL, PART NUMBER, and PART DESCRIPTION.