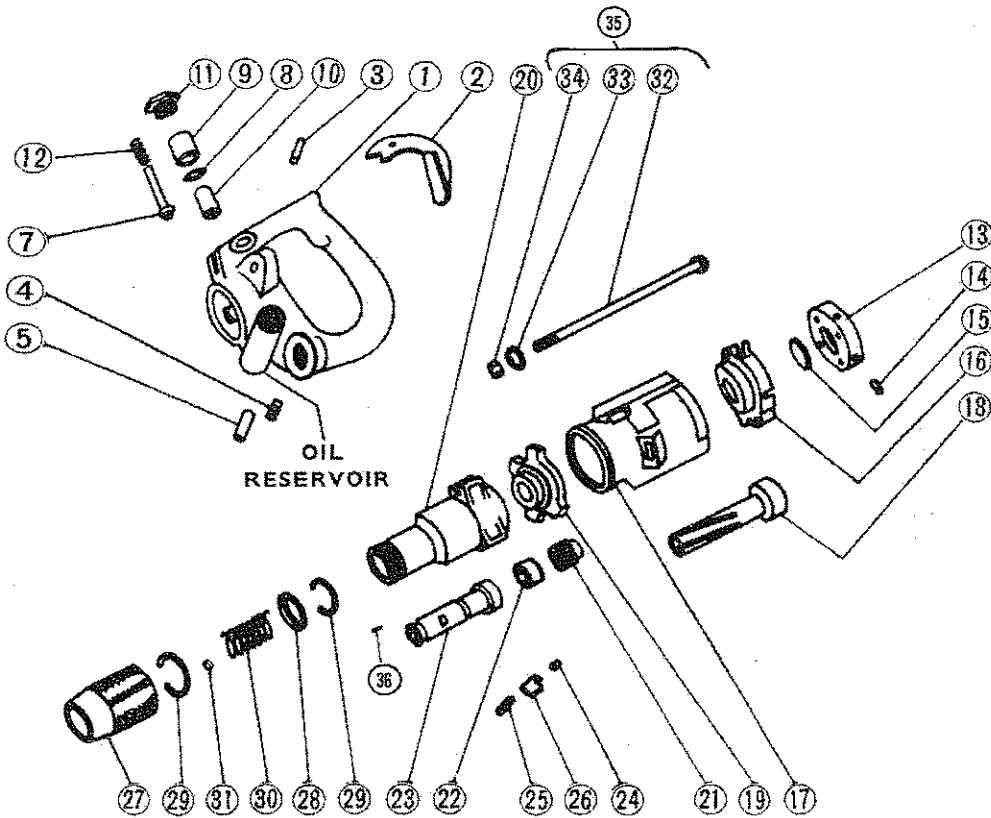




MODEL 4105 AIR ROTARY HAMMER (Small Rock & Masonry Drill)

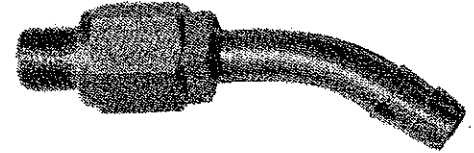


8 LB. CLASS

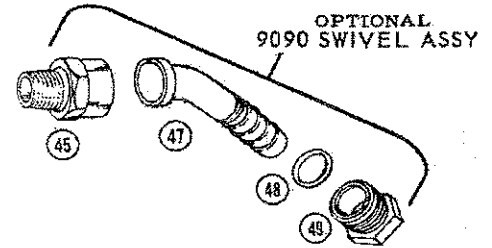


OIL RESERVOIR

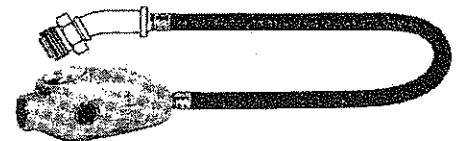
OPTIONAL
9090 SWIVEL ASSY.



3/8" NPT x 1/2" HOSE BARB



SWIVEL WHIP HOSE ASSY.
WITH LUBRICATOR



PARTS LIST

SYM NO.	PART NO	AMT REQ	DESCRIPTION	SYM NO.	PART NO	AMT REQ	DESCRIPTION
1	67101	1	Handle	18	67118	1	Piston
2	67102	1	Th. Lever	19	67119	1	Cyl. Washer
3	67103	1	Th. Lever Pin	20	67120	1	Front Cover
4	67104	1	Plug	21	67121	1	Ratchet Ring
5	67105	1	Lub. Felt	22	67122	1	Guide Nut
7	67107	1	Throttle Vlv.	23	67123	1	Chuck
8	67108	1	O-Ring	24	67124	2	Steel Ball
9	67109	1	Vlv. Guide	25	67125	2	Spring
10	67110	1	Bushing	26	67126	2	Pawl
11	67111	1	Adapter	27	67127	1	Retainer
12	67112	1	Spring	28	67128	1	Thrust Ring
13	67113	1	Valve Chest	29	67129	2	Spring Ring
14	67114	1	Guide Pin	30	67130	1	Spring
15	67115	1	Valve	31	67131	4	Steel Ball
16	67116	1	Vlv. Housing	32	67132	2	Side Rod
17	67117	1	Cylinder	33	67133	2	Spacer
				34	67134	2	Nut
				35	67135	2	Side Rod Assy.
				36	67136	1	Locking Key