

ROCK (SINKER) DRILLS - 55 Lb. Class

MODEL 4112

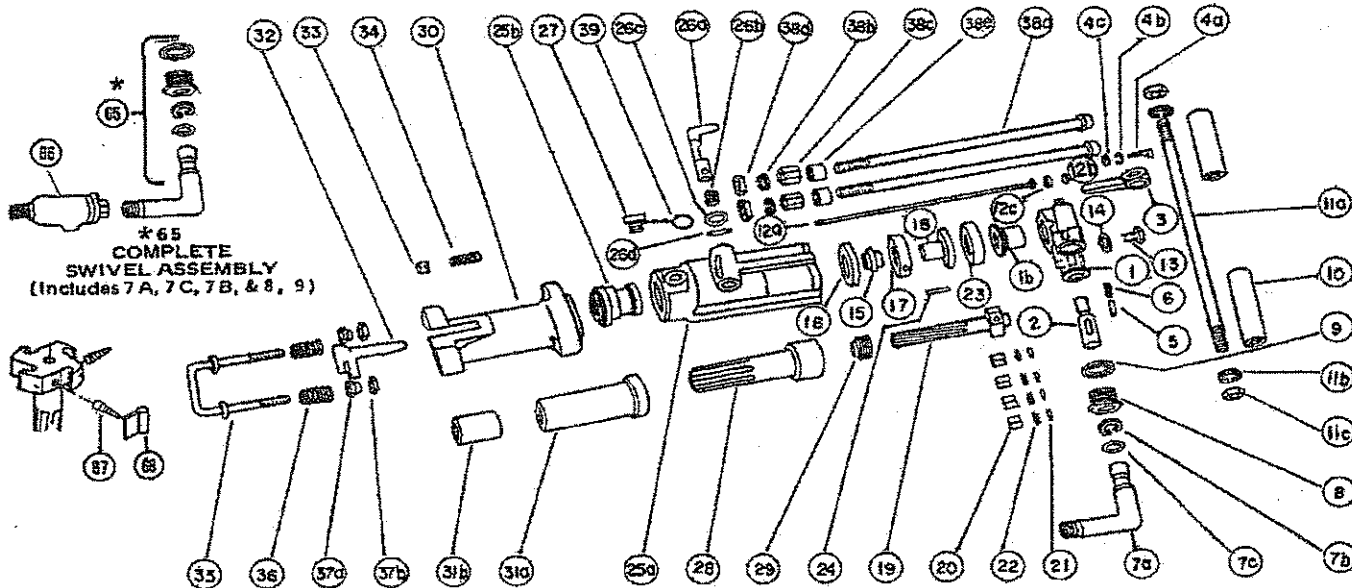
7/8" HEX x 3-1/4" CHUCK

MODEL 4114

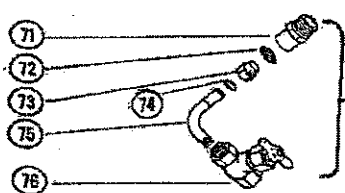
7/8" HEX x 4-1/4" CHUCK

MODEL 4115

1" HEX x 4-1/4" CHUCK

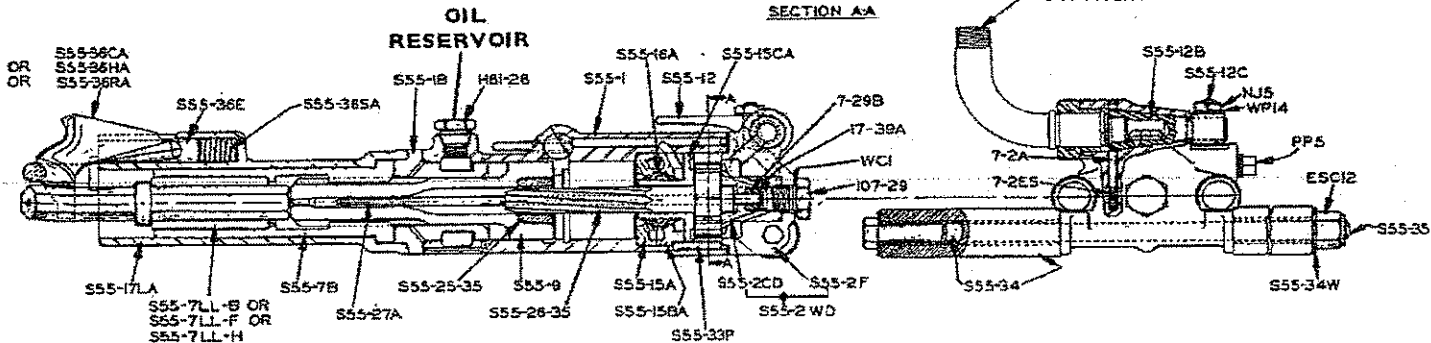
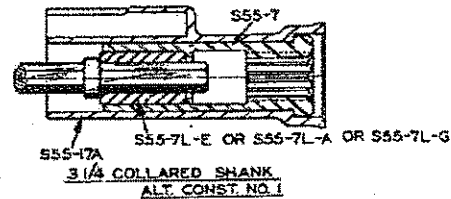
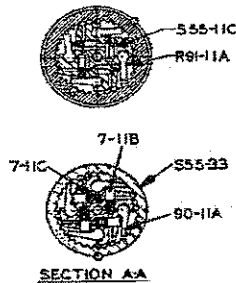
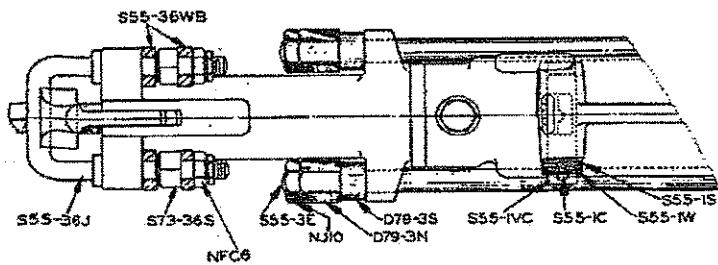
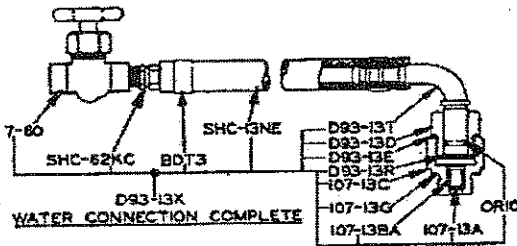


*NOTE: Gardner Denver No. S48-147GX Swivel Air Connection Assy. Includes next (4) parts: RB83-147, S48-146G, OR21, S48-146W. Harper No. 67565 Complete Swivel Assy. Includes next (5) parts: 67567, 67543, 67544, 67508, 67589.
NOTE: Above Air Swivel Assemblies WILL NOT interchange part for part. However, as a complete assembly, it can be used with either Gardner Denver or Harper.



WATER SWIVEL ASSY.

FOR WET DRILLING: REPLACE DRY BLOW TUBE (P/N 67512) WITH WET TUBE (P/N 67569). SPECIAL BACK-HEAD (P/N 67580) IS AVAILABLE, BUT NOT REQUIRED. FOR PART NUMBERS ADD PREFIX NO. "675" TO ALL SYMBOL NUMBERS.



ROCK (SINKER) DRILLS - 55 Lb. Class

MODEL 4112

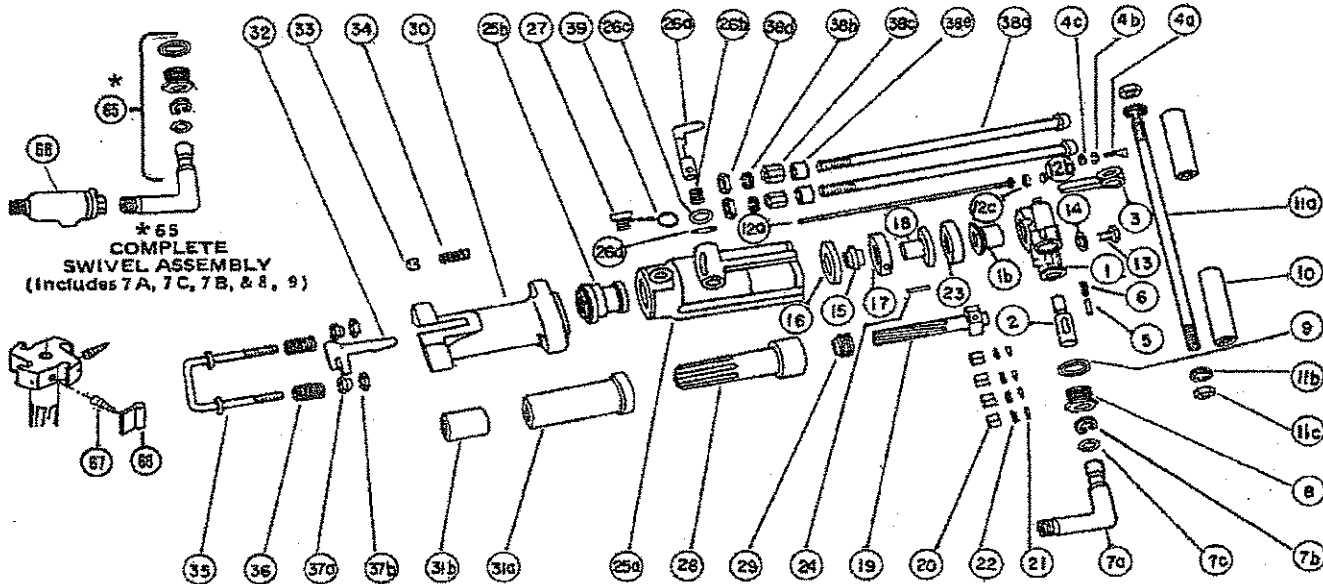
7/8" HEX x 3-1/4" CHUCK

MODEL 4114

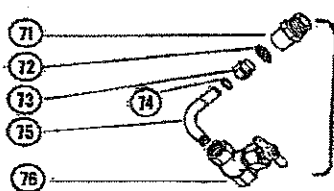
7/8" HEX x 4-1/4" CHUCK

MODEL 4115

1" HEX x 4-1/4" CHUCK

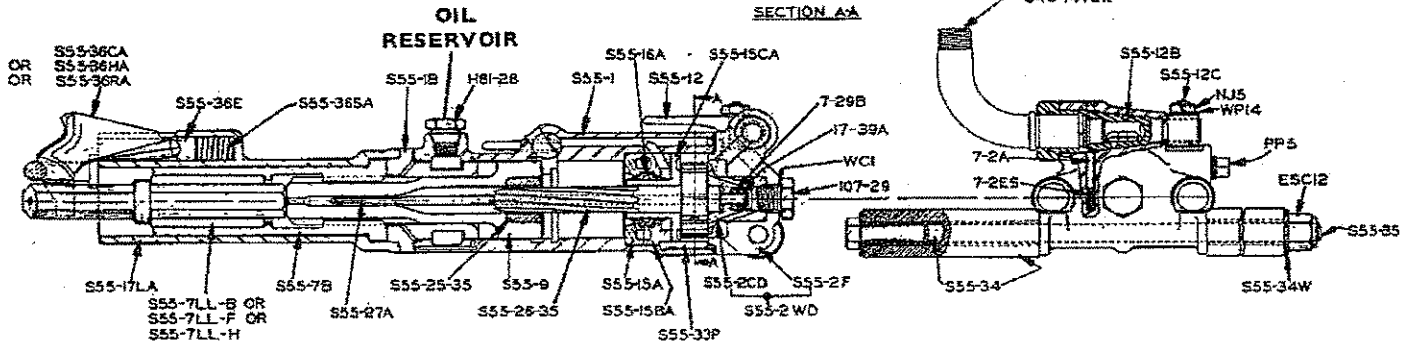
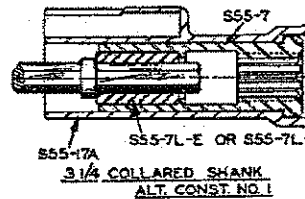
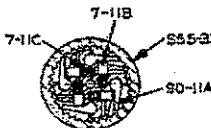
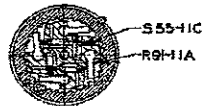
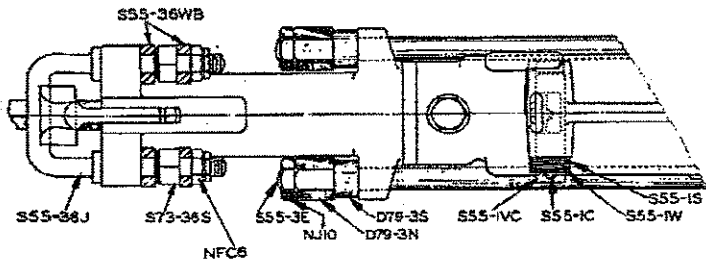
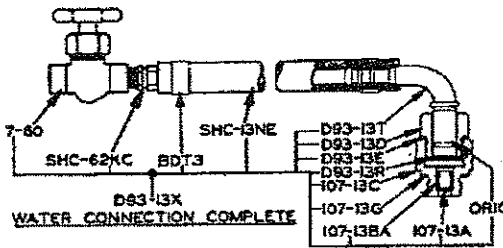


*NOTE: Gardner Denver No. S48-147GX Swivel Air Connection Assy. Includes next (#) parts: RB83-147, S48-146G, OR21, S48-146W, Harper No. 67565 Complete Swivel Assy. Includes next (#) parts: 67507, 67543, 67544, 67508, 67509.
 NOTE: Above Air Swivel Assemblies WILL NOT interchange part for part. However, as a complete assembly, it can be used with either Gardner Denver or Harper.



WATER SWIVEL ASSY.

FOR WET DRILLING: REPLACE DRY BLOW TUBE (P/N 67512) WITH WET TUBE (P/N 67569). SPECIAL BACK-HEAD (P/N 67580) IS AVAILABLE, BUT NOT REQUIRED. FOR PART NUMBERS ADD PREFIX NO. "675" TO ALL SYMBOL NUMBERS.



HARPER 55 LB. "HARD ROCK" (SINKER) DRILLS - INTERCHANGE PARTS LIST

SYM. NO.	NAME OF PART DESCRIPTION	AMT. REQ.	HARPER PART NO.	GARDNER DENVER NO.	KENT AIR TOOL NO.
1-A	Backhead with Bushing (DRY or WET)	1	67501	S55-2F	Not Available
1-B	Backhead Bushing	1	67540	S55-2CD	Not Available
2	Throttle Valve	1	67502	S55-12B	Not Available
3	T. Valve Handle	1	67503	S55-12	Not Available
4-A	T.V. Handle Bolt	1	67504	S55-12C	Not Available
4-B	T.V. Handle Washer	1	67541	WP-14	5863
4-C	T.V. H. Bolt Nut	1	67542	NJ5	5862
5	Detent Plunger	1	67505	7-2A	5868
6	Detent Spring	1	67506	7-2ES	5969
7-A	Air Inlet Swivel (For G/D - See Note)	1	67507	* RB-183-47	1471
7-B	Swivel Retainer	1	67543	Not Available	Not Available
7-C	Swivel "O" Ring (For G/D - See Note)	1	67544	* OR-21	1123
8	Swivel Nut (For G/D - See Note)	1	67508	* S48-146G	5864
9	Swivel Washer (For G/D - See Note)	1	67509	* S48-146W	Not Available
10	Handle Grips	2	67510	S55-34	Not Available
11-A	Handle Bolt	1	67511	S55-35	Not Available
11-B	H. Bolt Washer	2	67545	S55-34W	Not Available
11-C	H. Bolt Nut	1	67546	ESC-12	Not Available
12-A	Air Blow Tube (13-7/8" Long)	1	67512	S55-27A or 27B	245
12-B	Blow Tube Washer	1	67547	17-39A	481
12-C	B.T. Rubber Seal	1	67548	7-29B	246
13	B.T. Backhead Gland	1	67513	107-29	Not Available
14	B.T. Gland Gasket	1	67514	WC1	197
15	Automatic Valve	1	67515	S55-16A	Not Available
16	Front Valve Chest	1	67516	S55-15A	Not Available
17	Rear Valve Chest	1	67517	S55-15BA	Not Available
18	Valve Plug	1	67518	S55-15CA	Not Available
19	Rifle Bar	1	67519	S55-26-35	239
20	Pawl (Reversible Type)	4	67520	R91-11A	472
21	Pawl Plunger	4	67521	7-11-B	186
22	Pawl Spring (Compression Coil Type)	4	67522	7-11-C	187
23	Ratchet Ring	1	67523	S55-33	240
24	Ratchet Dowel Pin	1	67524	S55-33P	Not Available
25-A	Cylinder	1	67525	S55-1	Not Available
25-B	Cylinder Bushing	1	67549	S55-1B	235
26-A	Exhaust Control Valve	1	67526	S55-1VC	Not Available
26-B	Exhaust Valve Spring	1	67550	S55-1S	Not Available
26-C	E. Valve Washer	1	67551	S55-1W	Not Available
26-D	E. Valve Pin	1	67552	S55-1C	Not Available
27	Oil Filler Plug	1	67527	H81-2B	198
28	Piston Hammer	1	67528	S55-9	17
29	Rifle Nut	1	67529	S55-25-35	238
30	Front Head (7/8"x3-1/4") Shank Size	1	67530	S55-17A	Not Available
	Front Head (1"x4-1/4") Shank Size	1	67553	S55-17LA	Not Available
	Front Head (7/8"x4-1/4") Shank Size	1	67553	S55-17LA	Not Available
31-A	Chuck Driver (3-1/4") Shank Length	1	67531	S55-7	252
	Chuck Driver (4-1/4") Shank Length	1	67554	S55-7-B	237
31-B	Chuck Bushing (7/8"x3-1/4") U.S.A. Standard	1	67555	S55-7L-A	253
	Chuck Bushing (7/8"x4-1/4") Optional Swedish	1	67556	S55-7LL-B	254
	Chuck Bushing (1"x4-1/4") U.S.A. Standard	1	67557	S55-7LL-F	236
32	Steel Retainer 1" Hex.	1	67532	S55-36RA	Not Available
33	Retainer Pivot	1	67533	S55-36E	1016
34	Retainer Spring	1	67534	S55-36SA	1017
35	Retainer Yoke	1	67535	S55-36J	Not Available
36	Yoke Spring	2	67536	S73-36S	956
37-A	Yoke Nut Lower	2	67537	S55-36WB	957
37-B	Yoke Nut Upper	2	67558	NFC-6	978
38-A	Side Rod	2	67538	S55-3E	242
38-B	Side Rod Lock Washer	2	67559	Not Available	Not Available
38-C	Side Rod Nut Long	2	67560	D79-3N	243
38-D	Side Rod Nut Short	2	67561	NJ10	190
38-E	Side Rod Spacer	2	67562	D79-3S	244
39	Oil Plug Chain	1	67539	Not Available	Not Available
*65	Complete Swivel Assy. (For G/D - See Note)	1	67565	* S48-147GX	See Note
66	Line Oiler Assy. (OPTIONAL)	1	67045		Not Available
67	Conical Pawl Spring (OPTIONAL)	4	67567	S55-11C	473
68	Pawl (NON-REVERSIBLE TYPE)	4	67568	90-11A	241
69	Water Tube (15-5/16" Long, 3/32" Hole)	1	67569	S55-27C	958
70/76	Water Swivel Assy. (See Diagram Page)	1	67570/76	D93-13X	Not Available
80	Backhead with Bushing (Wet Type)		67580	S55-2WA	" "
81	Backhead Bushing Only (Wet Type)		67581	S55-2CA	" "
82	Water Connection Plug		67582	PP-5	" "

WHEN ORDERING PARTS, PLEASE SPECIFY: MAKE, MODEL, PART NUMBER, AND PART DESCRIPTION.