

INSTRUCTIONS AND REPAIR PART LIST

For

REVERSIBLE MULTI-VANE DRILLS

SIZES 33H, 33SH, 33J, 33SJ, 33JR, 33SK, 33K4, 33SM 33M4 AND 33N4

MULTI-VANE WOODBORERS

SIZES 33W AND 33SKW
AND

REVERSIBLE BASE-MOUNTED MULTI-VANE MOTORS

SIZES 33H51, 33J51, 33SK51 AND 33SM51

Always operate and maintain this tool in accordance with American national Standards Institute Safety Code for Portable Air Tools (ANSI B186.1-1975) and any other applicable safety codes and regulations.

LUBRICATION

After each four hours of operation, unless an air line lubricator is used, unscrew the Oil Chamber Plug (19 or 211) and fill the chamber in the Back Head (15 or 210) with Ingersoll-Rand Pneu-Lube Medium Oil No. 50 or good quality SAE 20 or 20W motor oil.

Weekly, or as experience indicates, inject Ingersoll-Rand Light Grease No. 28 or a good quality No. 2 Cup Grease through the Grease Fittings (16, 103 or 213). Pump 2 or 3 strokes of grease from the No. P25-228 Grease Gun into each Fitting.

Occasionally, inject 2 or 3 drops of light oil into the oil hole in the Throttle Sleeve (63 or 236).

An air line lubricator is recommended for use with all Multi-Vane Tools.

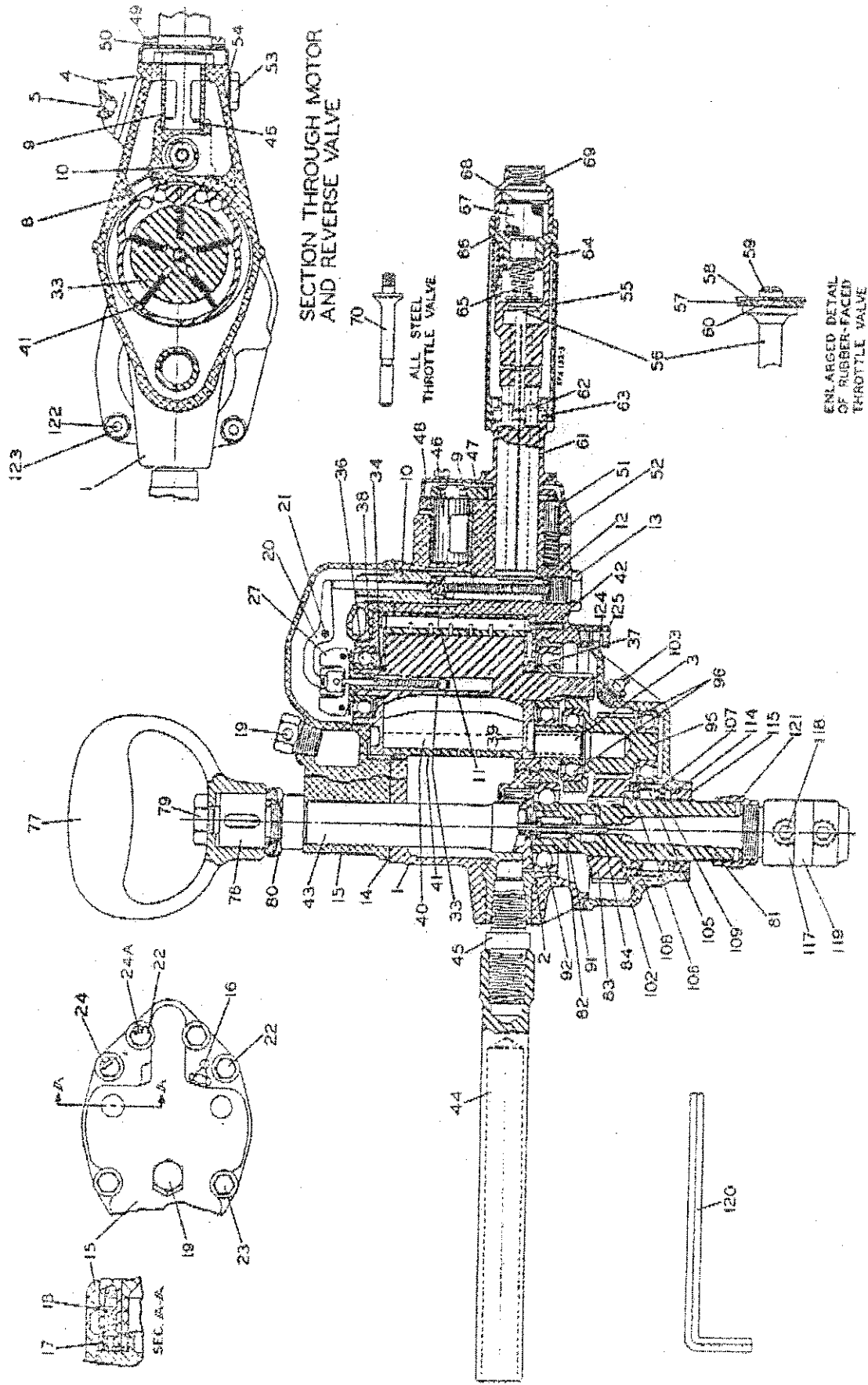
OILER ADJUSTMENT

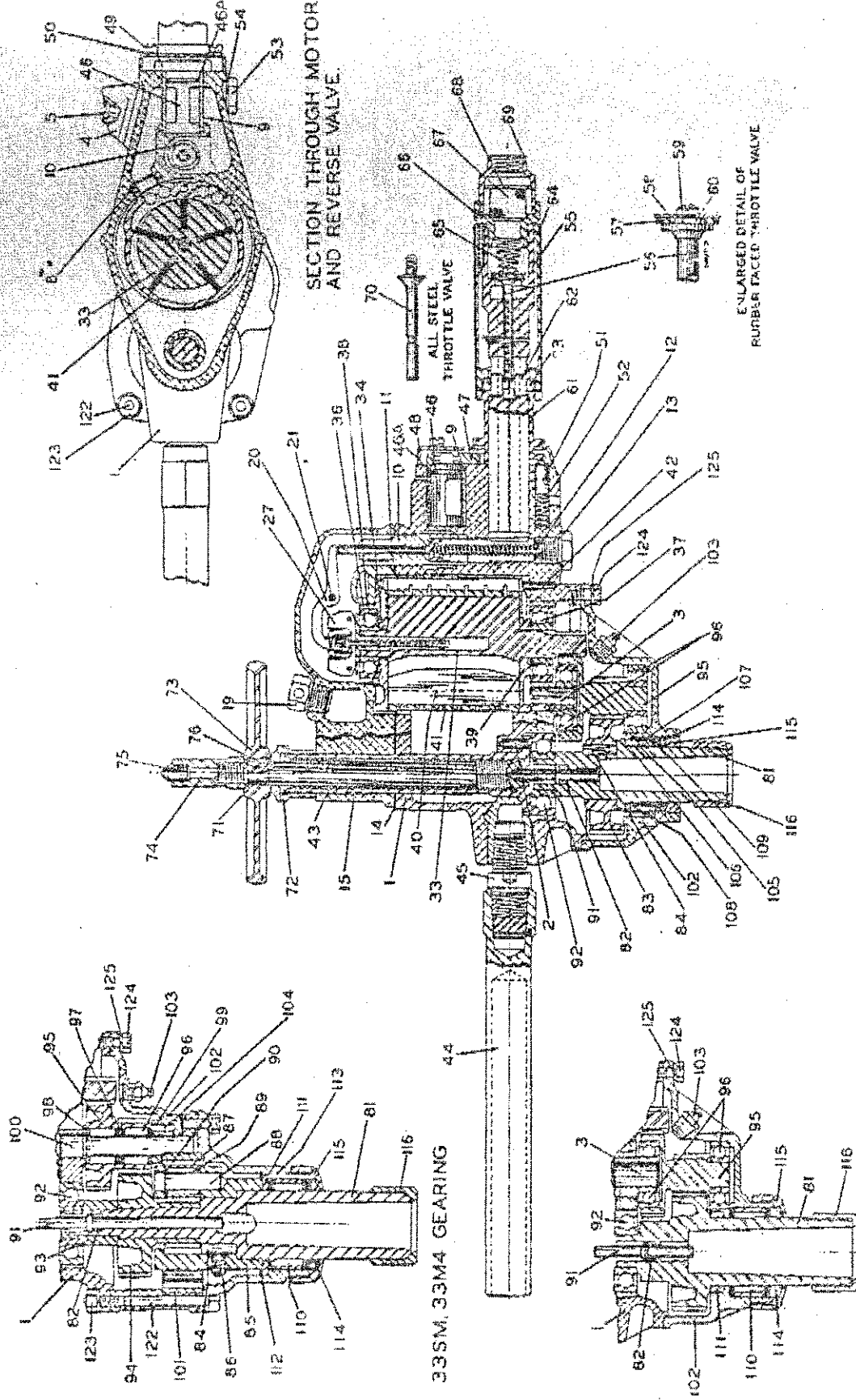
Hold a piece of paper close to the exhaust port and operate the Drill for about 30 seconds. If a film of oil is collected on the paper, the built-in lubricator is properly adjusted. If no oil is collected, or if an excessive amount is emitted, remove the Back Head (15 or 210) and turn either or both of the Oiler Adjusting Screws (17). Turn the Screws in to decrease the oil flow; back them out to increase the oil flow.

Caution: Never back out either Screw beyond the Back Head. If sufficient oil flow is not obtained before the screw heads are flush with this face, the Oiler Felts (18) are clogged; install new Felts.

HOW TO ORDER

Order all repair parts for your Ingersoll-Rand Tool by the NAME and NUMBER shown in the Repair Parts List section. Never use the illustration numbers which appear in the first column.





"H", "J", "K" or "L" Gearing

MOTOR HOUSING, MOTOR AND THROTTLE PARTS

ILLUS #	PART NAME (Parts indented after an item are included with that item)	PART NUMBER FOR ORDERING
1	Motor Housing for 33H, 33SH, 33J, 33SJ, 33J4, 33SK, 33K4, 33W and 33SKW for 33SM, 33M4 and 33N4	R33H-40A
2	Feed Screw Dowel	R33SM-40A
3	Intermediate Gear Bearing Stud (not used on 33SM, 33M4 or 33N4)	R3H-527 R3H-502
4	Exhaust Deflector	R33H-23
5	Exhaust Deflector Screw	R33H-312
8	Air Port Gasket (2)	R22H-210
9	Reverse Valve Bushing	534-330
10	Governor Valve Bushing	R3H-429A
*	Muffler Screen	R33H-313
*	Muffler Screen Retainer	R00B1-139
11	Governor Valve	R3H-425A
12	Governor Valve Spring	R3H-431
13	Governor Valve Cap	R3H-433
14	Back Head Gasket	R3H-283
15	Back Head	R3H-102A
16	Grease Fitting	23-188
17	Oil Adjusting Screw (2)	JA4-71
18	Oil Felt (8)	JA4-75
19	Oil Chamber Plug	P25-227
20	Governor Lever	R4F-436
21	Governor Lever Pin	MP1-15A
22	Back Head Short Cap Screw (4)	R3H-57
23	Back Head Long Cap Screw (2)	R3H-66
24	Lock Washer 1/4" (4)	L01-67
24A	Back Head Cap Screw Washer (2) Copper	DLC-504B
27	Weight-type Governor Assembly	R3H-A424
33	Rotor	R33H-53B
34	Rotor Bearing Spacer	R3H-65

ILLUS #	PART NAME (Parts indented after an item are included with that item)	PART NUMBER FOR ORDERING
36	Rear Rotor Bearing (Special Purchase)	R3H-22
37	Front Rotor Bearing (AFBMA No. 17BC03JP)	R3H-24
38	Rear End Plate	R33H-12
39	Front End Plate	R33H-11
40	Vane Packet (set of 5 vanes)	R3H-42A-5
41	Cylinder For maximum power in counterclockwise rotation (when facing spindle end) standard for drills and woodborers; special for base-mounted motors	R33H-3A
	For equal power in either direction of spindle rotation (standard for base-mounted motors; special for drills and woodborers)	R33H51-3
	For maximum power in clockwise rotation (when facing spindle end) special for drills woodborers and base-mounted motors	R33H-203
42	Cylinder Dowel	R3H-98A
43	Outer Feed Screw	R3H-290A
44	Dead Handle	TC-48
45	Dead Handle Stud	TC-364
46	Reverse Valve	R33H-A329
46A	Reverse Valve Seal	R18LF-21
47	Reverse Valve Sector	TCC-428
48	Sector Cover	TCC-429A
49	Sector Cover Screw (4)	TCC-430
50	Sector Cover Screw Lock Washer (4)	T05-58
51	Stop Pin	TCC-431
52	Stop Pin Spring	B01-11
53	Throttle Body Set Screw	TCCW-433
54	Throttle Body Set Screw Lock Washer	D02-537

8495 ROSLYN ST
COMMERCE CITY CO 80022

CROWDER SUPPLY COMPANY

TOLL FREE: 888 883 5144
WWW.CROWDERSUPPLY.COM

MOTOR HOUSING, MOTOR AND THROTTLE PARTS

ILLUS. #	DESCRIPTION (Parts indented after an item are included with that item)	PART NUMBER FOR ORDERING	ILLUS. #	DESCRIPTION (Parts indented after an item are included with that item)	PART NUMBER FOR ORDERING
**	Roll Throttle Assembly	R33H-A409	66	Air Strainer Assembly	R4H-A565
± 55	▲ Manual - Closing	R33H-A518	67	Air Strainer Cap	R4H-566
× 56	Self Closing	R33H-409	68	Air Strainer Screen	R3H-61
57	Throttle Body	R4H-402	69	Air Strainer Screen Support	R3H-567
58	Rubber-Faced Throttle Valve	R4H-159	70	Air Strainer Body	R3H-565
59	Throttle Valve Face	R4H-157	71	All-Steel Throttle Valve	R4H-302
60	Throttle Valve Face Cap	R4-158	72	Feed Screw Assembly	R3H-A291
61	Throttle Valve Face Retaining Screw	H64U-352	73	Inner Feed Screw	R3H-291
	Retaining Screw Lock Washer		74	Feed Screw Cap	TC-392
	Throttle Sector		75	Feed Handle	TC-2
	▲ for manual closing throttle	TCC-427A	76	Feed Handle Lock Nut	TC-388A
62	For self closing throttle	TCC-437A	77	Feed Screw Center	TC-244
63	Throttle Valve Lift Pin	TCC-306A	78	Feed Handle Key	TC-18
64	Lift Pin Roller (2)	TAA-426	79	Grip Handle Assembly for sizes 33W and 33SKW	TA-41
65	Throttle Sleeve	R33H-360	80	Grip Handle	TC-448
	Throttle Valve Spring			Grip Handle Stud	B12-249
	▲ for manual closing throttle	T01-308		Grip Handle Stud Nut	TC-447
	For self closing throttle	TAA-418		Grip Handle Nut	

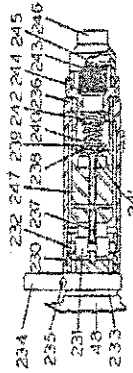
** Roll Throttle for all sizes except size 33N4.

± If ordered as a replacement for a Throttle Body equipped with an All-Steel Throttle Valve, also order the Rubber-Faced Throttle Valve (illustrated part 56). The all Steel Valve is discontinued.

× Cannot be used as a replacement for the All-Steel Throttle Valve

▲ In compliance with the Williams-Steiger Occupational Safety and Health Act, Manual Closing Throttle Assemblies and parts used exclusively for Manual Closing Throttle will be furnished only on international orders.

SELF-CLOSING ROLL THROTTLE FOR SIZE 33N4 REVERSIBLE DRILL



ILLUS. #	DESCRIPTION (Parts indented after an item are included with that item)	PART NUMBER FOR ORDERING	ILLUS. #	DESCRIPTION (Parts indented after an item are included with that item)	PART NUMBER FOR ORDERING
230	Throttle Assembly	R33PS-B518	239	Throttle Valve Face Cap	R4H-157
231	Throttle Cam	R4H-317	240	Throttle Valve Face Retaining Screw	R4-158
232	Throttle Valve Lift Pin	R4H-306	241	Retaining Screw Lock Washer	H54U-352
233	Throttle Valve List Pin Roller (2)	TAA-426	242	Throttle Valve Spring	TAA-418
234	Throttle Sector	R33PS-1487	243	Air Strainer Assembly	R4H-A565
235	Reverse Lever	R55H-314	244	Air Strainer Screen	R3H-61
236	Reverse Lever Set Screw (2)	R2J-561	245	Air Strainer Cap	R4H-566
237	Throttle Sleeve	R4H-305	246	Air Strainer Screen Support	R3H-567
238	Rubber Faced Throttle Valve	R4H-402	247	Air Strainer Body	R3H-565
	Throttle Valve Face	R4H-159		Throttle Body	R33H-409

GEAR CASE, GEARING AND SPINDLE PARTS

ILLUS #	PART NAME (Parts indented after an item are included with that item)	PART NUMBER FOR ORDERING		
		SIZES 33H, 33SH, 33J, 33SJ, 33SK, 33W, 33SKW	SIZES 33J4, 33K4	SIZES 33M, 33M4, 33N4
	Spindle Assembly			
	For size 33H or 33W	R3H-A108		
	For size 33SH	R3SH-A108		
	For size 33J	R3J-A108		
	For size 33SJ	R3SJ-A108		
	For size 33SK or 33SKW	R3SK-A108		
	For size 33SM			R3SM-B108
	For size 33M4 or 33N4			R3M4-B108
81	Spindle			
	For size 33H, 33J, 33W, 33J4 or 33SM	R3H-108	R3J4-108	R3SM-108
	For size 33HSH, 33SJ, 33SK, 33K4, 33SKW, 33M4 or 33N4	R3SH-108	R3K4-108	R3M4-108
82	Ejecting Pin Packing	R3H-408	R3H4-408	R3SM-408
83	Spindle Gear			
	For size 33H, 33SH or 33W	R33W-9A		
	For size 33J or 33SJ	R3J-9		
	For size 33SK or 33SKW	R3SK-9		
84	Spindle Gear Key or Planet Gear Frame Key	TB-410		R3SM-410
	Planet Gear Frame Assembly			R3SM-A367
85	Planet Gear Frame			R3SM-367
86	Planet Gear Frame Set Screw (3)			R3SM-574
87	Planet Gear (3)			533-652
88	Planet Gear Shaft			R3SM-191
89	Planet Gear Roller (54)			533-654
90	Roller Retaining Plate (6)			533-655
91	Drill Ejecting Pin			
	For size 33H, 33J, 33W, 33J4, 33K4, 33SM, 33M4 or 33N4	R3H-114	R3H4-114	R3SM-114
	For size 33SH, 33SJ, 33SK or 33SKW	R3SH-114		
92	Spindle Thrust Bearing (AFBMA No. 20BH03)	D04-366	D04-366	D04-366
93	Spindle Thrust Bearing Spacer			R3SM-100
94	Spindle Gear			
	For size 33SM or 33M4			R3SM-9
	For size 33N4			R33N-9
95	Intermediate Gear			
	For size 33H, 33SH, 33W, 33SW or 33M4	R33W-82A		R3SM-82
	For size 33J, 33SJ or 33J4	R3J-82A	R3J-82A	
	For size 33SK, 33K4 or 33SKW	R3SK-82A	R3SK-82A	
	For size 33N4			R33N-82
96	Intermediate Gear Bearing			
	AFBMA No. 15BC03 (2)	TB-394	TB-394	
	Hyatt No. 93112 or its equivalent for 33SM or 33M4			R3SM-501
	Bantam No. U-155-Q for 33N4 (56)			R2N-152
97	Intermediate Gear Bearing Spacer			
	For size 33SM or 33M4			R3SM-573
	For size 33N4 (3)			R33N-573
98	Intermediate Gear Thrust Washer			R3SM-498
99	Intermediate Gear Thrust Plate			R3SM-570
100	Intermediate Gear Shaft			R3SM-502
101	Internal Gear			R3SM-406
102	Gear Case	RM3H-37A	RM3H4-37A	R3SM-37
103	Grease Fitting	23-188	23-188	23-188
104	Thrust Plate Dowel			R4-265
105	Spindle Bearing Race	R3H-510		
106	Spindle Bearing Top Plate	R3H-511		
107	Spindle Bearing Roller (16)	R3H-512		
108	Spindle Bearing Cage	R3H-513		

GEAR CASE, GEARING AND SPINDLE PARTS (CONT'D)

ILLUS #	PART NAME (Parts indented after an item are included with that item)	PART NUMBER FOR ORDERING		
		SIZES 33H, 33SH, 33J, 33SJ, 33SK, 33W, 33SKW	SIZES 33J4, 33K4	SIZES 33M, 33M4, 33N4
109	Spindle Bearing Bottom Plate	R3H-514		
110	Spindle Bearing (RBC no. SJ7304 or its equivalent)		R3H4-510	R3H4-510
111	Spindle Thrust Ring		R3H4-80	R3H-511
112	Thrust Ring Retainer			R3SM-83
113	Gear Case Cover			R3SM-378
114	Spindle Packing (1 for 33J4, 33SM, 33M4 and 33N4; 2 for others)	R3H-14	R3H4-14	R3H4-14
115	Spindle Packing Nut	R3H-15	R3H4-15	R3H4-15
116	Protective Nut			
	For size 33H, 33SH, 33J, 33SJ, 33SK or 33SM	T02-43A		T02-43A
	For size 33J4, 33K4, 33M4 or 33N4		T01-43A	T01-43A
117	Wood Bit Chuck			
	For wood bits with 1/2" dia straight shanks (standard for 33W)			
	Standard for 33W	R33W-151-1/2		
	Standard for 33SKW	R33SW-151-1/2		
	For wood bits with 5/8" dia straight shanks			
	Special for 33SKW	R33SW-151-5/8		
118	Bit Chuck Set Screw	R33W-150		
119	Bit Chuck Set Screw Retainer	R33W-149		
120	Bit Chuck Set Screw Wrench	R-27		
121	Chuck Nut for size 33W or 33SKW	T12-347		
122	Gear Case Bolt (3)	R3H-103	R3H-103	R3SM-103
123	Gear Case Bolt Nut (1 for each Bolt)	T06-139	T06-139	T06-139
124	Gear Case Cap Screw (3)	R3H-68A	R3H-68A	R3H-68A
*	Gear Case Long Cap Screw			R3SM-126
125	1/4" Lock Washer (7 for size 33SM, 33M4 or 33N4; 6 for others)	L01-67	L01-67	L01-67

* Not illustrated

USE-EM-UP SPINDLES AND EXTENSION SPINDLES

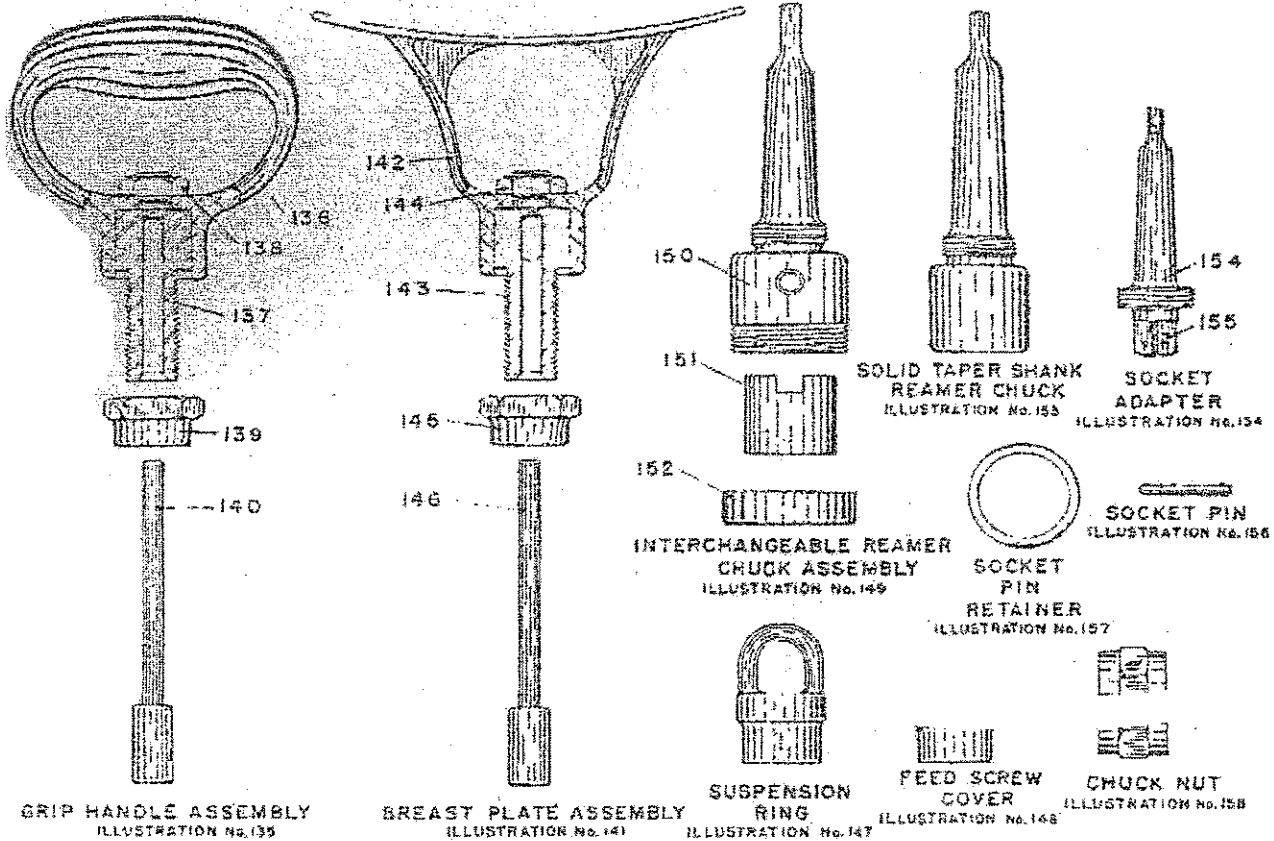
Order a Use-Em-Up Spindle or an Extension Spindle by the part number shown in the table below. With the exception of the Spindle, the same parts are included in a Use-Em-Up Spindle Assembly or an Extension Spindle Assembly as in a standard Spindle Assembly.

The following table also lists the Use-Em-Up Ejecting Pins that must be used with Use-Em-Up spindles.

Extension Spindles are Available in Sizes 33SH, 33SJ, and 33SK only

PART NAME FOR ORDERING	PART NUMBER FOR ORDERING				
	33H	33SH	33J	33SJ	33J4
Use-Em-Up Spindle Assembly	R3H-A294	R3SH-A294	R3J-A294	R3SJ-A294	
Use-Em-Up Spindle	R3H-294	R3SH-294	R3H-294	R3SH-294	R3J4-294
Use-Em-Up Ejecting Pin	R3H-395	R3SH-395	R3H-395	R3SH-395	R3J4-395
Extension Spindle Assembly		R3SH-A327		R3SJ-A327	
Extension Spindle		R3SH-327		R3SH-327	
	33SK	33K4	33SM	33M4, 33N4	
Use-Em-Up Spindle Assembly	R3SK-A294		R3SM-B294	R3M4-B294	
Use-Em-Up Spindle	R3SH-294	R3K4-294	R3SM-294	R3M4-294	
Use-Em-Up Ejecting Pin	R3SH-395	R3J4-395	R3SM-114	R3M4-395	
Extension Spindle Assembly	R3SK-A327				
Extension Spindle	R3SH-327				

SPECIAL EQUIPMENT FOR DRILLS

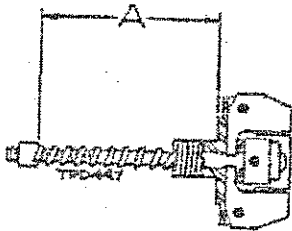


ILLUS. #	PART NAME FOR ORDERING (Parts indented after an item are included with that item)	PART NUMBER FOR ORDERING		
		SIZE 33H, 33J	SIZE 33SH, 33SJ, 33SK, 33SM	SIZE 33J4, 33K4, 33M4, 33N4
135	Grip Handle Assembly	R33H-A41	R33H-A41	R33H-A41
136	Grip handle	TA-41	TA-41	TA-41
137	Grip Handle Stud	TC-448	TC-448	TC-448
138	Grip Handle Stud Nut	B12-249	B12-249	B12-249
139	Grip Handle Nut	TC-447	TC-447	TC-447
140	Grip Handle Ejecting Pin	R3H-50	R3H-50	R3H-50
141	Breast Plate Assembly	R3H-A79	R3H-A79	R3H-A79
142	Breast Plate	TC-79	TC-79	TC-79
143	Breast Plate Stud	TC-448	TC-448	TC-448
144	Breast Plate Stud Nut	B12-249	B12-249	B12-249
145	Breast Plate Nut	TC-447	TC-447	TC-447
146	Breast Plate Ejecting Pin	R3H-50	R3H-50	R3H-50
147	Suspension Ring	TC-365	TC-365	TC-365
148	Feed Screw Cover	TC-461	TC-461	TC-461
149	Interchangeable Reamer Chuck Assembly (specify size of bushing required)		T02-A45A	T01-A45A
150	Taper Shank Reamer chuck for Interchangeable Bushing		T02-45A	T01-45A
151	Interchangeable Reamer Chuck Bushing (5/8", 11/16", 3/4", 13/16", 7/8" or 1" square drive hole as specified)		T01-38	T01-38
152	Interchangeable Reamer Chuck Cap		T01-54	T01-54

SPECIAL EQUIPMENT FOR DRILLS

ILLUS. #	PART NAME FOR ORDERING (Parts indented after an item are included with that item)	PART NUMBER FOR ORDERING		
		SIZES 33H, 33J	SIZES 33SH, 33SJ, 33SK, 33SM	SIZES 33J4, 33K4, 33M4, 33N4
153	Solid Taper Shank Reamer Chuck (5/8", 3/4", 7/8" or 1" square drive hole as specified)	---	T02-255A	T01-225A
154	Socket Adapter			
	No. 2 Morse Taper to 1/2" Square Drive	R3H-214	---	---
	No. 3 Morse Taper to 3/4" Square Drive	---	R4J-214	---
	No. 4 Morse Taper to 1" Square Drive	---	---	R40-214
155	Socket Retainer (Consists of plunger, spring and washer)	504-816	---	---
156	Socket Pin	---	W54-215	34U-215A
157	Socket Pin Retainer	---	R4-103	34U-216
158	Chuck Nut	T12-347	T12-347	T01-347
*	Male Hose Nipple			
	3/4" Hose to 1/2" Male Pipe	A03-46	A03-46	A03-46
	1/2" Hose to 1/2" Male Pipe	D02-455	D02-455	D02-455

GOVERNOR ADJUSTMENT



When installing a new Governor, thread the adjusting nut onto the stem to the proper dimension "A" as shown. This will usually result in the correct governed free speed of the Spindle. However, this is only an approximate setting and, after chacking with a tachometer, further adjustment may be necessary. Screw the adjusting nut farther onto the stem to increase the speed; backit off to decrease the speed.

The correct governed free speed of the various sizes at the Spindle is:

Sizes	Spindle Free Speed at 90 psig (6.2bar/620kPa) Air Pressure, RPM
33H, 33SH, 33W, 33H51	800
33J, 33SJ, 33J4, 33J51	450
33SK, 33K4, 33SKW, 33SK51	300
33SM, 33M4, 33SM51	185
33N4	135

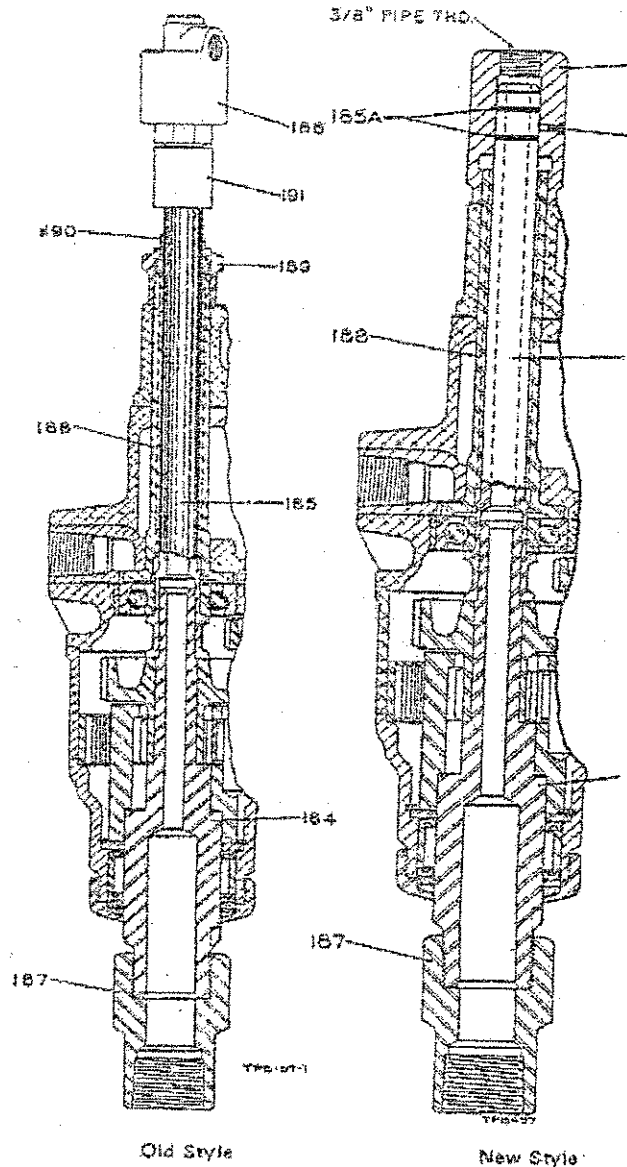
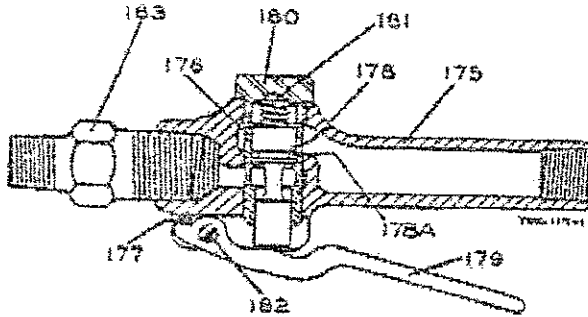
A = 1-29/32" FOR Drills and Motors with Standard Throttle

A = 2-1/32" for Motors with Remote Control

NOTE: The Governor Assembly used in the Drills and Motors is identified by the code number "27" etched on the governor body.

SIZE 33SM54 DRILL WITH WATER ATTACHMENT FOR EARTH WORK

Parts used only with Size 33SM54 Drill with Water Attachment are listed below: order any other part for this Tool by the Part Name and Part Number shown in the part list for the standard Size 33SM Drill with Manual Closing Roll Throttle Assembly.

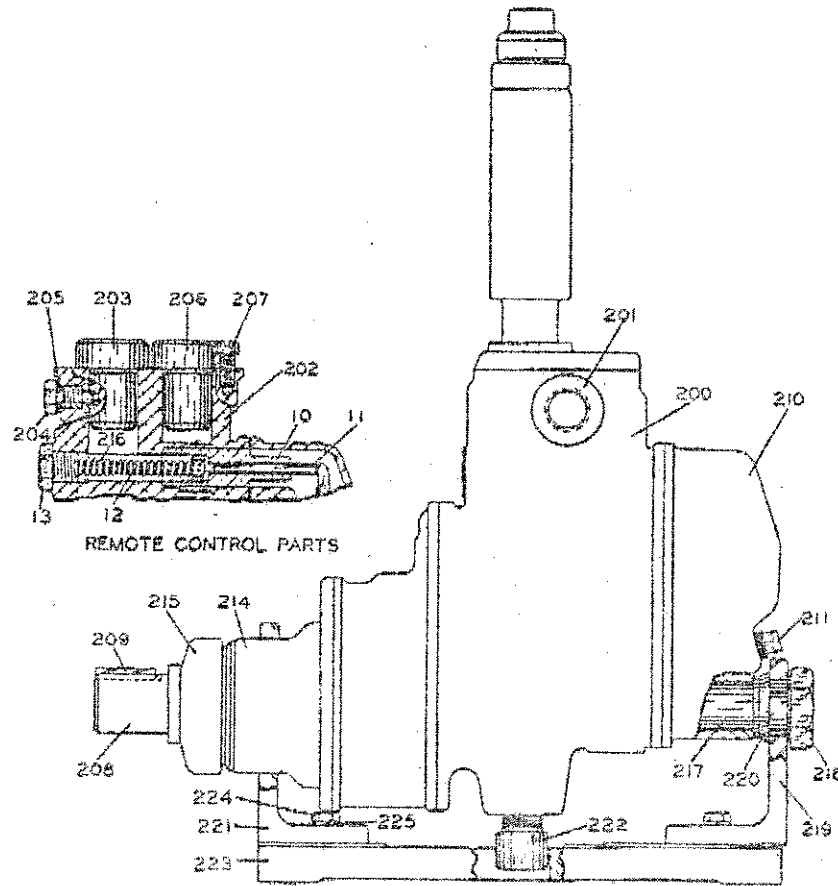
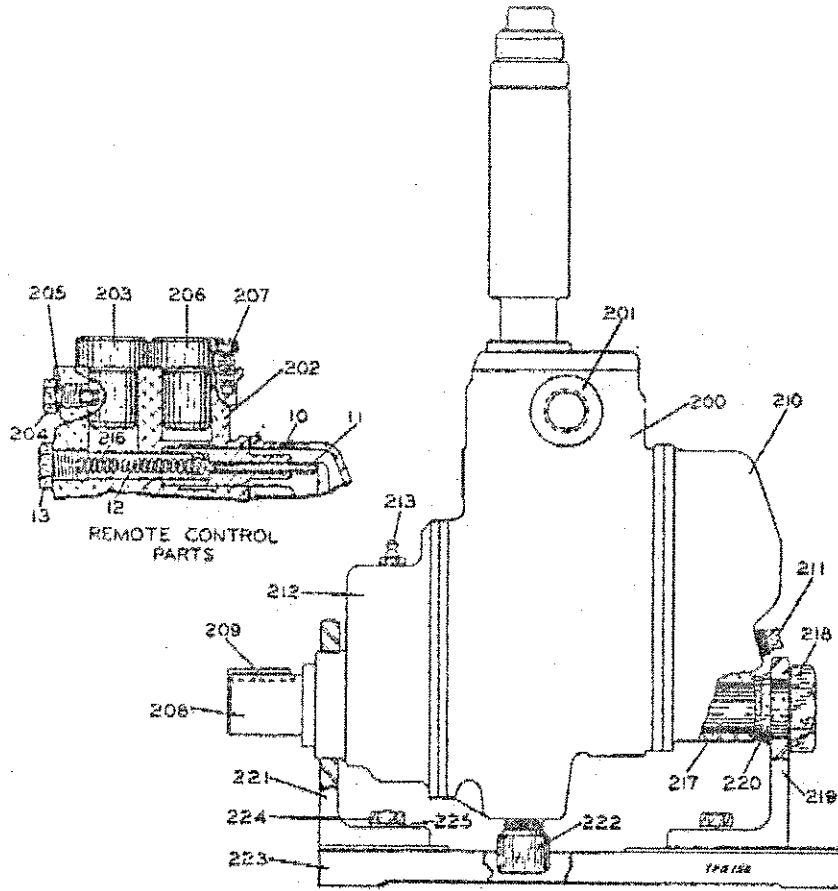


Illus #	PART NAME FOR ORDERING (Parts indented after an item are included with that)	PART NUMBER FOR ORDERING
	Lever Throttle Assembly	R33SM54-A160
175	Lever Throttle Body	33SR-160
176	Lever Throttle Valve Bushing	33SR-162S
177	Throttle Lever Stop Pin	13SR-26S
178	Lever Throttle Valve	33SR-161
178A	Throttle Valve Face	435-159
179	Throttle Lever	33SR-163
180	Lever Throttle Valve Cap	33SR-164
181	Lever Throttle Valve Spring	12SR-262
182	Throttle Lever Pin	13SR-264
183	Lever Throttle Connector	TCC-334
184	Water Attachment Spindle	R33SM54-708
185	Spindle Water Tube	
	Old Style	R33SM54-709
	New Style	R33SM54-A809
** 185A	Water Tube	410-283
186	Swivel Joint	
	Old Style	R44L54-712
	New Style	R33SM54-A812
** 186A	Grease Fitting	D0F9-879
187	Auger Adapter (1" pipe tap)	R33SM54-713-1
188	Water Tube Sleeve	R33SM54-790
189	Water Tube Sleeve Cap	R33SM54-792
190	Cap Bushing	R33SM54-793
191	Coupling	R44L54-115
*	Stop Cock	N16-12

* Not Illustrated

** Used only on New Style Water Attachment

Note: The new style Spindle Water Tube (185) and Swivel Joint (186) can be used in combination to replace the old style Spindle Water Tube and Swivel Joint. However, one new style part cannot be used in conjunction with the other old style part



BASE-MOUNTED MULTI-VANE MOTORS

Ingersoll-Rand Base-Mounted Multi-Vane Motors Sizes 33H51, 33J51, 33SK51, AND 33SM51 are essentially Sizes 33H, 33J, 33SK AND 33SM Multi-Vane Drills with certain parts omitted for mounting purposes and with Spindles changed to round, keyed shafts. Parts used only on Base-Mounted Motors are illustrated in the accompanying view. The balance of parts is illustrated in the sectional view of Drills on page 4.

Parts are not included in the following list for Base-Mounted Motors are the same as corresponding parts of Drills. Order them by the part names and part numbers stated for Drills in the part list on pages 5 and 6.

Illus. #	PART NAME FOR ORDER (Parts indented after an item are included with that item)	PART NUMBER FOR ORDERING	
		Sizes 33H51, 33J51, 33SK51	Size 33SM51
200	Motor Housing for Roll Throttle	R33H51-40	R33SM51-40
201	Exhaust Bushing (also includes illustrated parts 2, 8(2), 9, and 10; illustrated part 3 also included for Size 33H51, 33J51 or 33SK51)	R33H51-439	R33H51-439
202	Motor Housing for Remote Control	R33H51-RC40	R33SM51-RC40
203	Forward Inlet Stud	R22H-471	R22H-471
204	Forward Inlet Stud Lock Screw	TCCW-493	TCCW-493
205	7/16" Lock Washer	D02-537	D02-537
206	Reverse Inlet Stud	R33H-472	R33H-472
207	Reverse Inlet Stud Lock Screw (also includes illustred parts 2, 8(2), 10 and 201; illustrated part 3 also included for Size 33H51, 33J51 or 33SK51)	T05-44	T05-44
	Spindle Assembly		
	For Size 33H51	R3H51-A8	---
	For Size 33J51	R3J51-A8	---
	For Size 33SK51	R3SK51-A8	---
	For Size 33SM51	---	R33SM51-B8
208	Spindle (also includes illustrated parts 83 and 84 for Size 33H51, 33J51, or 33SK51; illustrated parts 84, 85, 86(3), 87(3), 88(3), 89(54), and (6)90 for Size 33SM51)	R3H51-8	R33SM51-8
209	Spindle Key	R40-610	R40-610
210	Back Head	R3H-102A	R3H-102A
211	Oil Chamber Plug (also includes illustrated parts 16, 17(2), 18(8), 20 and 21)	T1SE-368	T1SE-368
212	Gear Case	R3H51-37	---
213	Grease Fitting	23-188	---
214	Gear Case Cover	---	R33SM51-378
215	Spindle Packing Nut	---	R44SM51-15
216	Governor Valve Auxiliary Spring (used only in Motors with Remote Control)	P35-431	P35-431
217	Motor Mounting Stud	R33SM51-290	R33SM51-290
218	Motor Mounting Stud Cap	R33SM51-461	R33SM51-461
219	Rear Mounted Bracket	R33SM51-304	R33SM51-304
220	Rear Mounted Bracket Spacer	R33SM51-277	R33SM51-277
221	Front Mounting Bracket	R3H51-303	R33SM51-303
222	Motor Housing Anchor	R33SM51-364	R33SM51-364
223	Motor Mounting Base	R22N51-564A	R22N51-564A
224	Base Cap Screw (4)	D02-506	D02-506
225	Base Cap Screw Lock Washer (4)	D02-321	D02-321