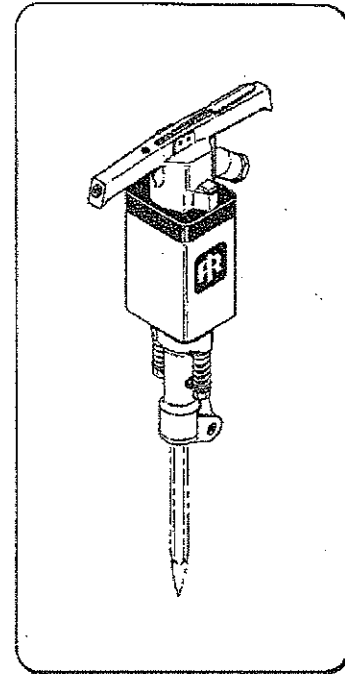
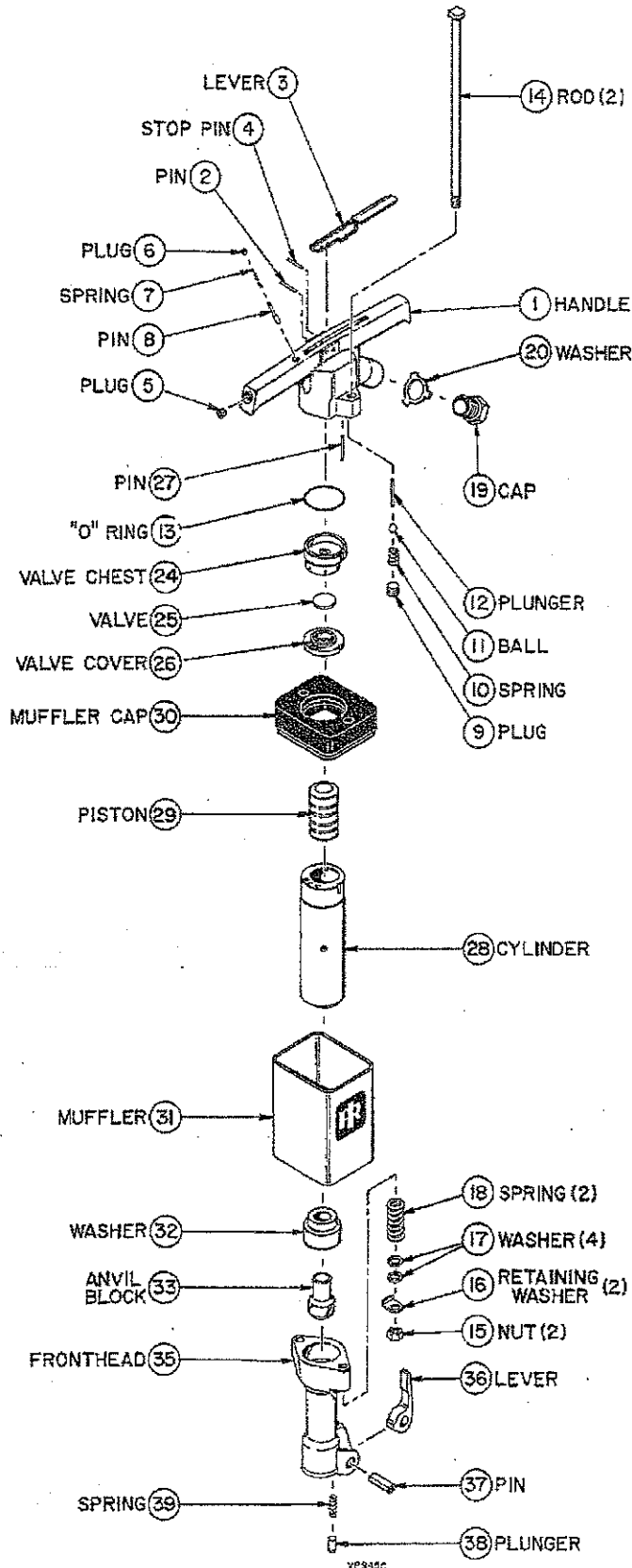
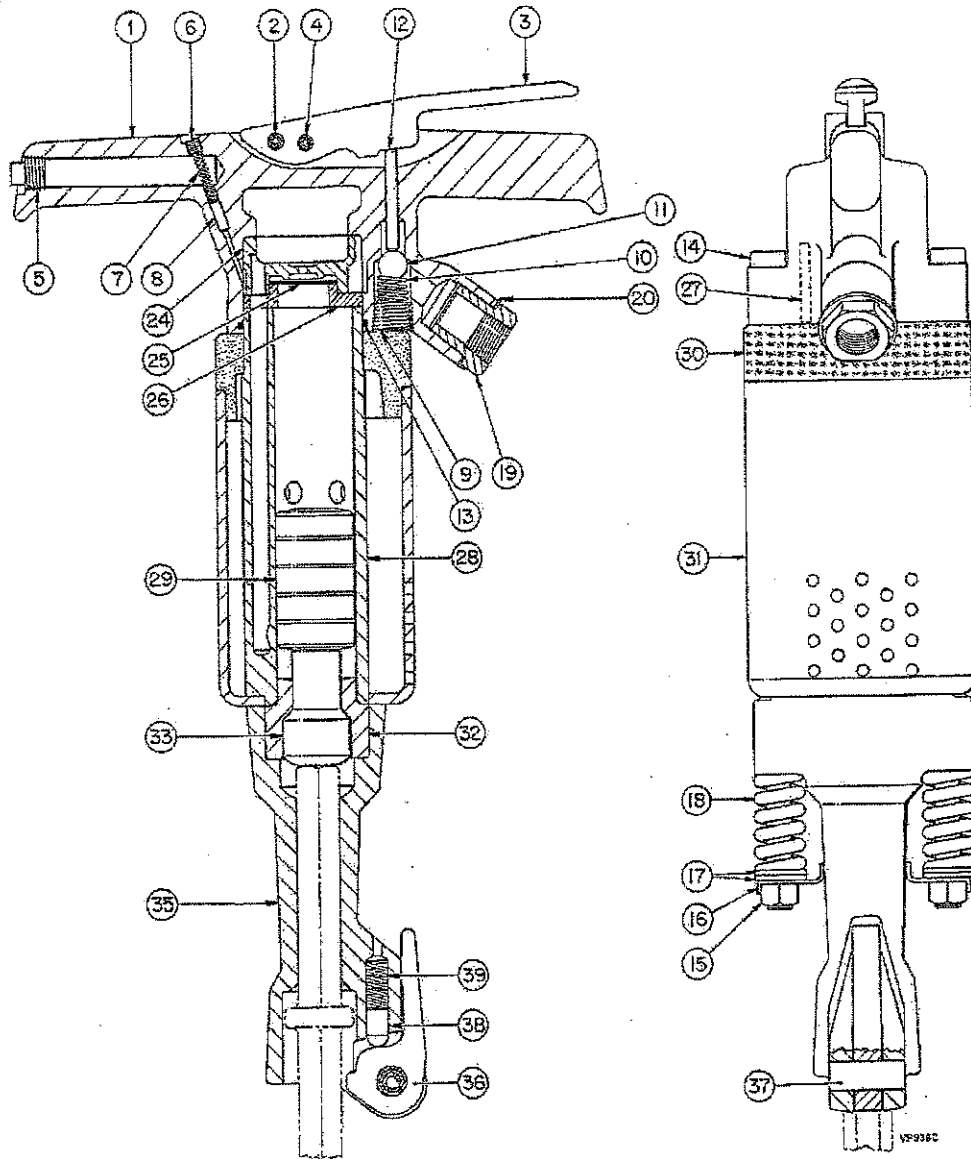


BR20S
PAVING BREAKER





BR20S PAVING BREAKER

Recommended Spares

The spare part recommendations are shown in three columns under heading "Recommended Spares". Recommendations are given for three (3) classes of installations, based on spare parts availability and cover one shift operation for one year.

CLASS 1 (Min.)—Covers recommended quantities of spares for a single unit where additional spare parts are ordinarily available from Branch or Dealer stock.

CLASS 2 (Av.)—Covers recommended quantities of spares for a single unit where additional spare parts would not be readily available.

CLASS 3 (Max.)—Covers recommended quantities of spare parts for a single unit where maximum protection from major shutdown must be afforded such as an export installation.

The Spare Part Recommendations are applicable to machines now being assembled. When spares are ordered for specific machines by serial numbers, it may be necessary to make a few substitutions to insure supplying parts that will fit the specific machines for which they are intended.

Since we are not familiar with local operation and maintenance conditions, we cannot guarantee that these recommendations include every part which may be required in any given period of time, nor can we warrant that all of these parts will be needed. Generally, however, we are confident that these recommendations will provide reasonably good protection.

34190101179

When ordering spares, please give (1) the NAME of the part as listed, (2) the PART NO. as listed and stamped on the part, and (3) the SERIAL NUMBER of the machine.
 DO NOT use illustration numbers when ordering spare parts. To save time send all orders for parts to the nearest branch office or agent.
 WHEN NECESSARY TO SEND ANY PART OF THIS MACHINE TO THE FACTORY, INQUIRE AT OUR NEAREST BRANCH OFFICE FOR SPECIAL INSTRUCTIONS.

Recommended Spares

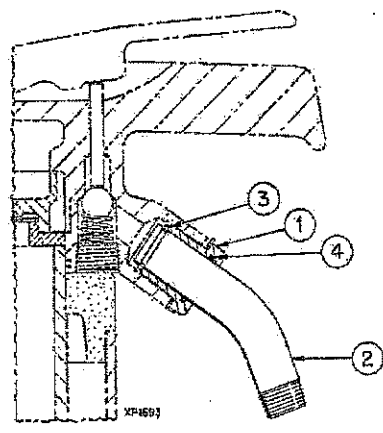
ILLUS. NO.	PART NO.	NAME OF PART Parts indented under an item are included with that item	CLASS		
			1 Min.	2 Av.	3 Max.
HANDLE AND PARTS					
1	5072 0689	HANDLE			
2	9538 4277	PIN, throttle valve lever			
3	5001 4901	LEVER, throttle valve			
4	50997568	STOP PIN, throttle valve lever			
5	9503 3619	PLUG, handle oil reservoir			
6	9504 9359	PLUG, oil metering			
7	5072 0523	SPRING, oil metering plug			
8	5072 0556	PIN, oil metering			
9	9526 7191	PLUG, throttle			
10	5025 0539	SPRING, throttle	1	1	1
11	5072 0572	BALL VALVE	1	1	1
12	5072 0465	PLUNGER, throttle	1	1	1
13	9501 8180	"O" RING, handle	—	1	1
ASSEMBLY RODS AND PARTS					
14	5077 5360	ASSEMBLY ROD (2)	—	2	2
15	50951656	NUT, assembly rod (2)	—	2	2
16	5089 9384	RETAINING WASHER (2)			
17	9506 4705	WASHER (flat)(4)			
18	5020 1094	SPRING (2)			
**AIR CONNECTION PARTS					
19	◆ 5076 2343	CAP, air connection	—	1	1
20	◆ 5092 4505	TAB WASHER, air connection cap			
VALVE CHEST AND PARTS					
24	5072 0630	CHEST, valve	—	—	1
25	5072 0515	VALVE (disc)	—	—	1
26	5072 0622	COVER, valve chest	—	—	1
27	5072 0499	LOCATING PIN	1	1	1
CYLINDER AND PARTS					
28	5072 0663	CYLINDER	—	—	1
29	5072 0606	PISTON	—	1	1
30	5072 0671	MUFFLER CAP			
31	5072 0705	MUFFLER			
MISCELLANEOUS PARTS					
32	5072 0655	FRONT WASHER, cylinder	—	1	1
33	50997451	ANVIL BLOCK	—	1	1
FRONTHEAD AND PARTS					
	5080 9672	FRONTHEAD ASSEMBLY (Standard for 28.57 mm hex. x 152.4 mm lg. [1 1/8 in. hex. x 6 in. lg] Paving Breaker Shank)	—	1	1
35	5072 0697	:FRONTHEAD (Standard)	—	1	1
36	5072 0648	:LEVER, steel retainer	—	1	1
37	9534 4164	:PIN (spirol), steel retainer lever	—	—	1
38	5001 9728	:PLUNGER, steel retainer	—	1	1
39	5001 9579	:SPRING, steel retainer	—	1	1
	5080 5572	FRONTHEAD ASSEMBLY (Optional for 25.4 mm hex. x 108 mm lg [1 in. hex. x 4 1/4 in. lg] Paving Breaker Shank)	—	1	1
35	5089 5556	:FRONTHEAD (Optional)	—	1	1
36	5072 0648	:LEVER, steel retainer	—	1	1
37	9534 4164	:PIN (spirol), steel retainer lever	—	—	1
38	5001 9728	:PLUNGER, steel retainer	—	1	1
39	5001 9579	:SPRING, steel retainer	—	1	1

**NOTE:—When specially ordered, an optional swivel air connection assembly will be furnished at extra cost. Refer to page 4 for parts lists and illustration.

GENERAL INFORMATION

1. Each standard BR20S Paving Breaker is a complete unit ready to be put into operation when properly cleaned and oiled. There are no extra parts, special fittings, etc., required.
2. An integral noise reducing muffler is a standard component of each BR20S Paving Breaker.
3. The standard BR20S includes a Fronthead (5072 0697) that accommodates a 28.57 mm hex.×152.40 mm lg (1-1/8 in. hex×6 in. lg) paving breaker shank.
An optional Fronthead (5089 5556) that accommodates a 25.4 mm hex.×108 mm lg (1 in. hex.×4¼ in. lg) paving breaker shank will be furnished when specially ordered.
4. A high quality Rock Drill Oil conforming to the specifications outlined in Instruction Book, Form 4845C must be added to the operating air supply to lubricate all

- moving parts of the BR20S Paving Breaker.
The method of lubrication is dependent upon actual operating conditions and customer preference:
- a. For short duration jobs, adequate lubrication can be provided by periodic addition of rock drill oil to the oil reservoir built-in the BR20S handle.
 - b. If operation is intermittent, and air supply hose does not exceed 15 meters (49 ft) in length, a compressor mounted lubricator can be used.
 - c. If operation is continuous, i.e., eight hours a day, an air line lubricator is recommended for proper lubrication.
5. An Ingersoll-Rand Model IRO-16F Air Line Lubricator with 0.47 liters (1 pint) capacity will be furnished when specially ordered, at extra cost.



◆ SWIVEL AIR CONNECTION PARTS
(Furnished only when specially ordered, at extra cost)

Recommended Spares ↘

ILLUS. NO.	PART NO.	NAME OF PART Parts indented under an item are included with that item	CLASS		
			1 Min.	2 Av.	3 Max.
1	5072 0580	CAP, air connection.....	—	—	1
2	5072 0614	AIR CONNECTION (Swivel).....	—	—	1
3	5072 0598	RETAINING RING, air connection.....	—	—	1
4	9502 8528	"O" RING, air connection cap.....	1	1	1

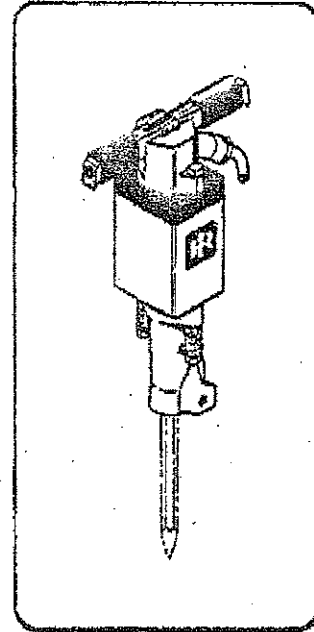
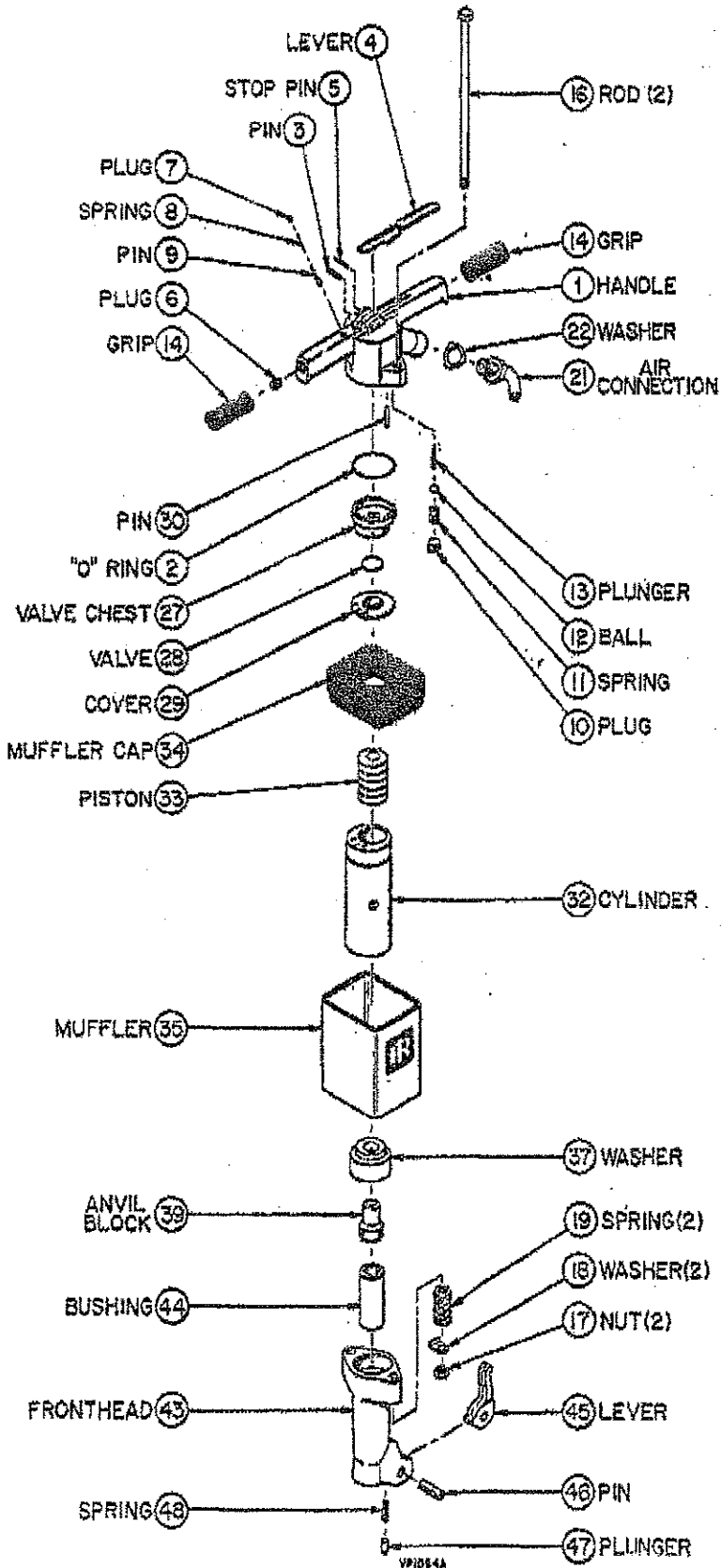
NOTE:—When the optional swivel connection parts are used, the standard Air Inlet Connection Cap (5076 2343) must be removed; however, the standard Tab Washer (5092 4505) must still be used with these optional parts.

◆ Changed or added over previous printing.

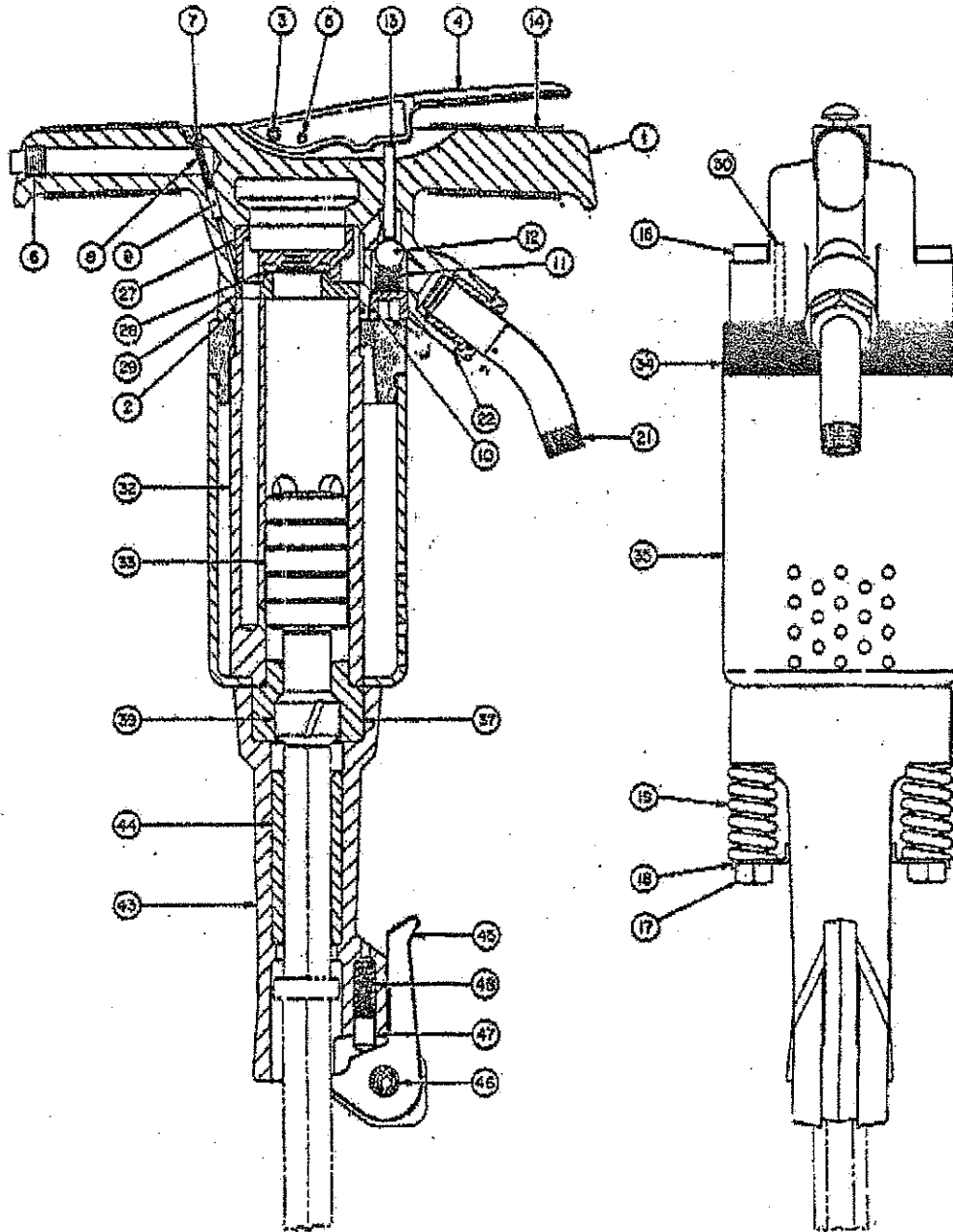
BR305 PAVING BREAKER

(For description of parts refer to Pages 3 and 4)

Cancel PS-5500.03, Sh. 1,
dated May 16, 1978.



CROWDER SUPPLY CO., INC. - 8495 ROSLYN ST. - COMMERCE CITY, CO 80022 - TOLL FREE 888-883-5144 - www.crowdersupply.com



BR30S PAVING BREAKER

When ordering spares, please give (1) the NAME of the part as listed, (2) the PART NO. as listed and stamped on the part, and (3) the SERIAL NUMBER of the machine.
 DO NOT use illustration numbers when ordering spare parts. To save time send all orders for parts to the nearest branch office or agent.
 PRODUCT IMPROVEMENT IS A CONTINUING GOAL AT INGERSOLL-RAND. DESIGN AND SPECIFICATIONS ARE SUBJECT TO CHANGE WITHOUT NOTICE OR OBLIGATION.
 WHEN NECESSARY TO SEND ANY PART OF THIS MACHINE TO THE FACTORY, INQUIRE AT OUR NEAREST BRANCH OFFICE FOR SPECIAL INSTRUCTIONS.

Recommended Special ↘

ILLUS. NO.	PART NO.		NAME OF PART Parts indented under an item are included with that item.	CLASS		
	STANDARD For 31.75 mm (1 1/4 in.) Hex. Shank	OPTIONAL For 28.57 mm (1 1/8 in.) Hex. Shank		1 Min.	2 Av.	3 Max.
HANDLE AND PARTS						
1	5077 5154	X	HANDLE			
2	9500 8825	X	"O" RING, handle	1	1	1
3	9539 4277	X	PIN, throttle valve lever			
4	5001 4901	X	LEVER, throttle valve			
5	50997568	X	STOP PIN, throttle valve lever			
6	8603 3619	X	PLUG, handle oil reservoir			
7	8604 5359	X	PLUG, oil metering			
8	5072 0523	X	SPRING, oil metering plug			
9	5072 0556	X	PIN, oil metering			
10	8526 7191	X	PLUG, throttle			
11	5025 0539	X	SPRING, throttle	1	1	1
12	5072 0572	X	BALL VALVE	1	1	1
13	5072 0485	X	PLUNGER, throttle	1	1	1
14	6000 8101	X	GRIP, handle (2)			
ASSEMBLY RODS AND PARTS						
16	5077 6360	X	ASSEMBLY ROD (2)	1	2	2
17	50951656	X	NUT, assembly rod (2)	1	2	2
18	5077 6396	X	RETAINING WASHER (2)			
19	5020 1094	X	SPRING, assembly rod (2)			
AIR CONNECTION PARTS						
21	◆ 5092 4612	X	AIR CONNECTION ASSEMBLY	1	1	1
22	◆ 5092 4506	X	TAB WASHER			
VALVE CHEST AND PARTS						
27	5077 6345	X	CHEST, valve	1	1	1
28	5072 0516	X	VALVE (disc)	1	1	1
29	5077 6352	X	COVER, valve chest	1	1	1
30	5072 0499	X	LOCATING PIN	1	1	1
CYLINDER AND PARTS						
32	5077 6188	X	CYLINDER	1	1	1
33	5077 6337	X	PISTON	1	1	1
34	5077 6196	X	MUFFLER CAP			
35	5077 6170	X	MUFFLER			
MISCELLANEOUS PARTS						
37	5077 5329	X	FRONT WASHER, cylinder	1	1	1
39	6000 1361	X	ANVIL BLOCK	1	1	1
FRONTHEAD AND PARTS						
43	5000 9890	5000 9890	FRONTHEAD ASSEMBLY	1	1	1
44	5077 5182	X	:FRONTHEAD			
45	5000 8234	5000 8242	:BUSHING, fronthead	1	1	1
46	5077 5311	X	:LEVER, steel retainer	1	1	1
48	8539 8715	X	:PIN (apirol), steel retainer lever	1	1	1
47	5001 8728	X	:PLUNGER, steel retainer	1	1	1
49	5001 9579	X	:SPRING, steel retainer	1	1	1

NOTE: - The "X" indicates that the part number is the same as listed in the preceding column.

◆ Changed or added over previous printing.