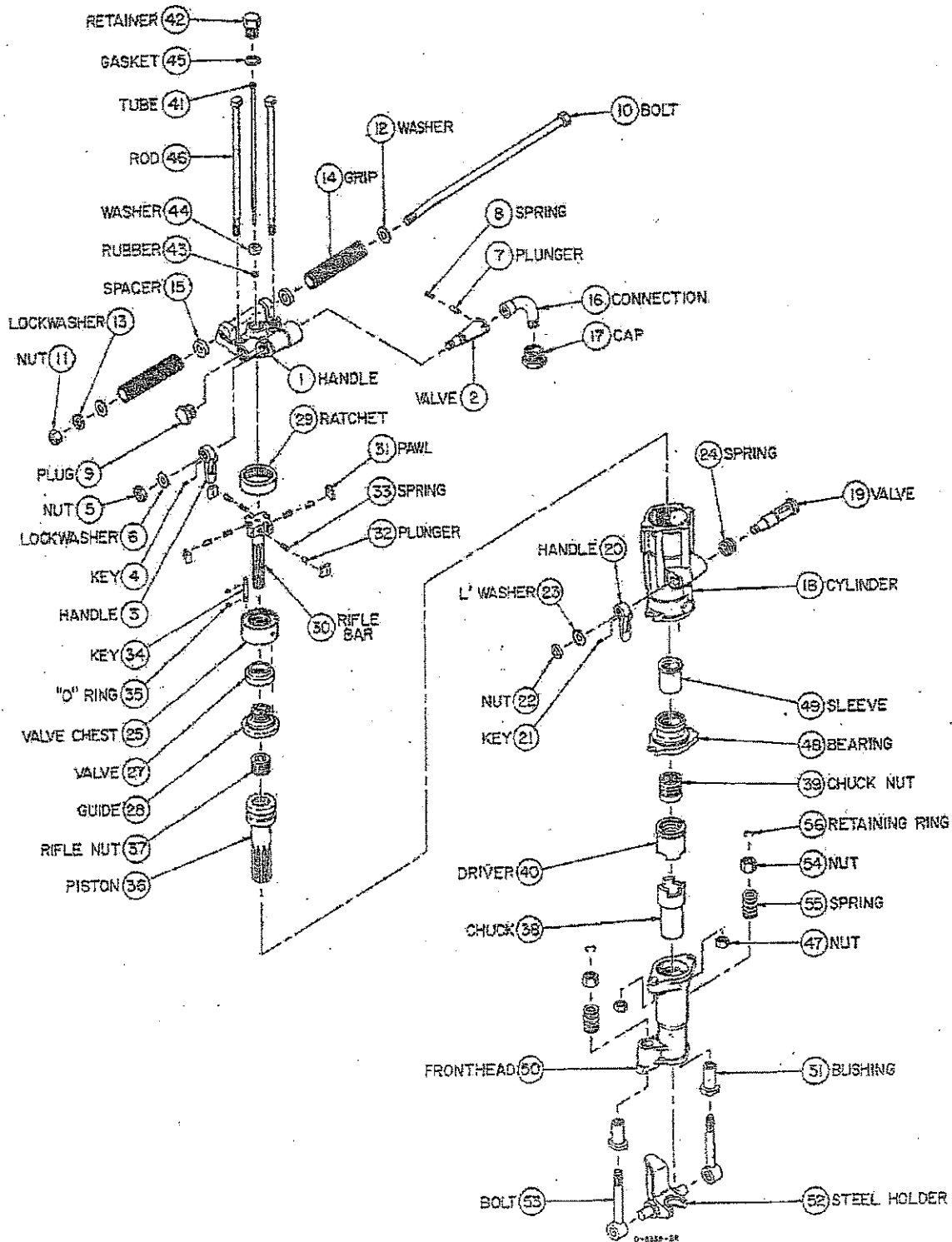
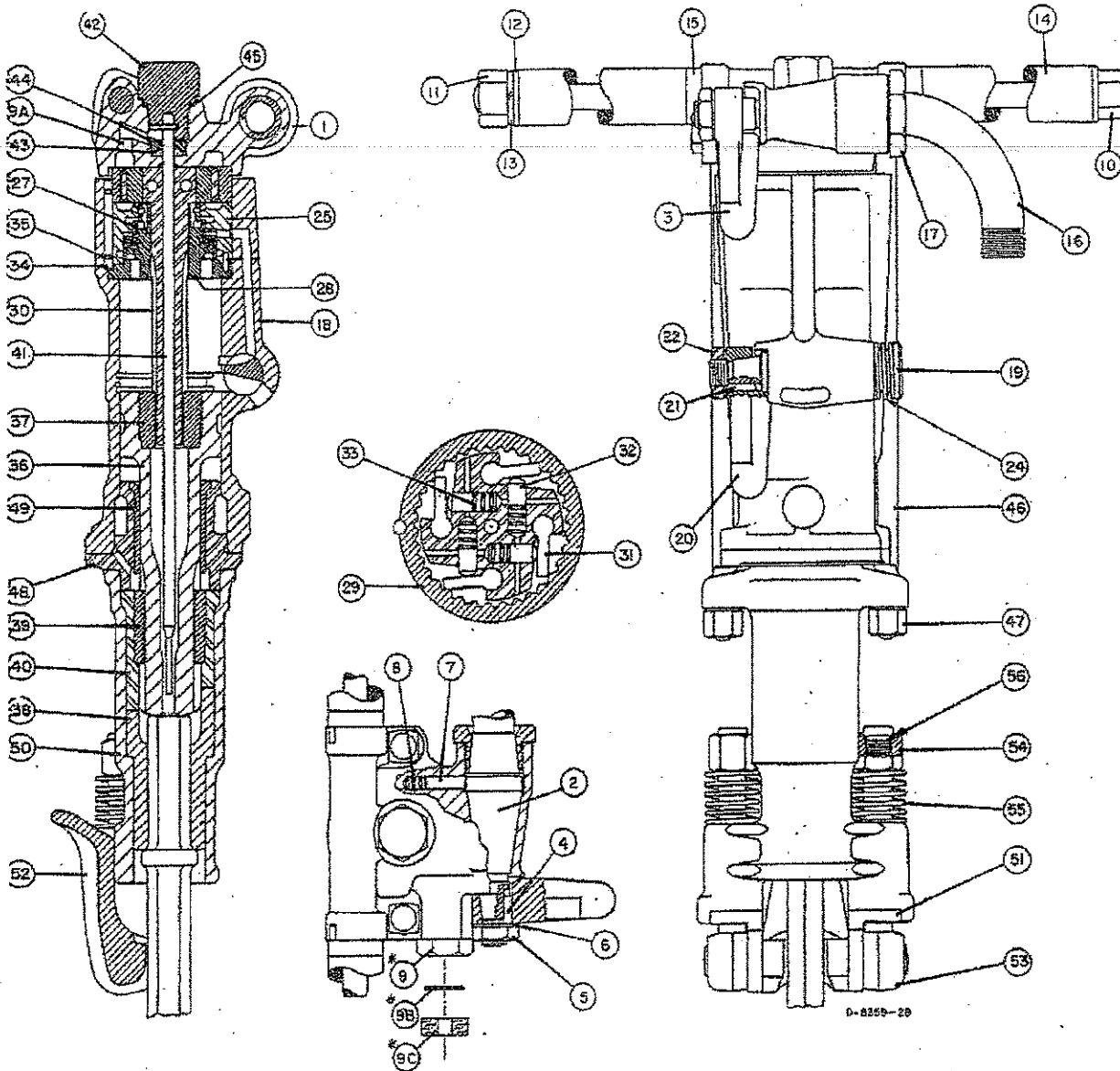


PARTS LIST  
J40 "JACKHAMER"

CROWDER SUPPLY CO., INC. - 8495 ROSLYN ST. - COMMERCE CITY, CO 80022 - TOLL FREE 888-883-5144 - www.crowdersupply.com





\*NOTE:—The Plug (9) is required for the Blower Style; the Plug (9A), Strainer (9B), Rubber (9C), and B23RDC50 Water Hose Connection Complete (refer to page 5) is required for the Wet Style construction.

### Recommended Spares

The spare part recommendation for this Jackhammer are shown in three columns under heading "Recommended Spares". Recommendations are given for three (3) classes of installations, based on spare parts availability and cover one shift operation for one year.

**CLASS 1 (MIN.)**—Covers recommended quantities of spares for a single unit where additional spare parts are ordinarily available from branch or Dealer stock.

**CLASS 2 (AV.)**—Covers recommended quantities of spares for a single unit where additional spare parts would not be readily available.

**CLASS 3 (MAX.)**—Covers recommended quantities of spare parts for a single unit where maximum protection from major shutdown must be afforded, such as an export installation.

**PARTS LIST  
J40 JACKHAMMER**

ILLUS. NO	PART NO.		I-R STOCK NO.	NAME OF PART (Parts indented under an item are included with that item)	CLASS		
	BLOWER STYLE	WET STYLE			1 MIN	2 AV	3 MAX
				<b>HANDLE AND PARTS</b>			
1	V150J40	X	50003235	HANDLE			
2	15J50	X	50003722	:: THROTTLE VALVE		1	1
3	16J50A	X	50003730	:: THROTTLE VALVE HANDLE		1	1
4	81JR38C	X	50171495	:: THROTTLE VALVE HANDLE KEY		1	1
5	422J50	X	50004852	:: THROTTLE VALVE HANDLE NUT		1	1
6	26A5S1128-00	X	50140227	:: THROTTLE VALVE HANDLE NUT LOCK WASHER		1	1
7	17J50	X	50003748	:: THROTTLE VALVE PLUNGER			1
8	18N70	X	50170927	:: THROTTLE VALVE PLUNGER SPRING			1
9	38C43		50112945	WATER INLET PLUG			
9A		34A7B2	50137314	HANDLE PLUG			1
9B		421J50	50004845	WATER STRAINER	1	2	3
9C		871J50	50004878	WATER HOSE STEM RUBBER	1	2	3
10	25BJB4	X	50014661	HANDLE BOLT			
11	16A4C7	X	50132158	HANDLE BOLT NUT			
12	070BB13	X	50114727	HANDLE BOLT WASHER (2)			
13	15A5C120	X	50140052	HANDLE BOLT LOCKWASHER (2)			
14	C259R39	X	50810563	HANDLE GRIP (2)			
15	257JA35	X	50013937	HANDLE GRIP SPACER (2)			
16	19JA55	X	50008556	HOSE CONNECTION			1
17	48C14	X	50028117	HOSE CONNECTION CAP			1
				<b>CYLINDER AND PARTS</b>			
18	A1J40	X	50002997	CYLINDER			
19	289J40	X	50003318	BLOWER VALVE			1
20	16J50A	X	50003730	BLOWER VALVE HANDLE		1	1
21	81JR38C	X	50171495	BLOWER VALVE HANDLE KEY		1	1
22	422J50	X	50004852	BLOWER VALVE HANDLE NUT		1	1
23	26A5S1128-00	X	50140227	HANDLE NUT LOCKWASHER		1	1
24	PE1483SP	X	50175876	BLOWER VALVE SPRING		1	1
				<b>VALVE CHEST AND PARTS</b>			
25	M94J50	X	50004415	VALVE CHEST			1
27	7JR38	X	50006816	VALVE		1	1
28	274J50A	X	50008531	VALVE GUIDE			1
				<b>ROTATION PARTS</b>			
29	59J50	X	50003904	ROTATION RATCHET		1	1
30	J58J50	X	50003888	RIFLE BAR	1	2	3
31	60S84	X	50172386	ROTATION PAWL (4)	4	4	8
32	61S84	X	50172394	ROTATION PAWL PLUNGER (4)	4	4	8
33	C76	X	50173269	ROTATION PAWL PLUNGER SPRING (4)	8	8	16
34	174J50A	X	50008523	ROTATION RATCHET KEY			
35	20A11CM006	X	50140516	O-RING (2)			
				<b>PISTON PARTS</b>			
36	66J40	X	50966987	PISTON	1	1	2
37	C64J50	X	50004183	RIFLE NUT	2	3	4
				<b>CHUCK AND PARTS</b>			
38	50JA45	X	50014554	CHUCK (standard for 7/8" hex x 3-1/4" shank)	1	2	3
39	56RB12	X	50023126	CHUCK NUT	1	2	4
40	314J40	X	50003375	CHUCK DRIVER		1	2

"X" indicates that the part number is identical to number in first column

ILLUS. NO	PART NO.		I-R STOCK NO.	NAME OF PART (Parts indented under an item are included with that item)	CLASS		
	BLOWER STYLE	WET STYLE			1 MIN	2 AV	3 MAX
				<b>BLOWER TUBE AND WATER TUBE PARTS</b>			
41	229J40		50003441	BLOWER TUBE	1	2	3
41		27J40	50003011	WATER TUBE	2	4	6
42	228J50	X	50004639	TUBE RETAINER			1
43	226R38	X	50045673	BLOWER & WATER TUBE RUBBER	2	2	4
44	B384J50	X	50004829	BLOWER & WATER TUBE WASHER	1	1	2
45	26A55	X	50028075	TUBE RETAINER GASKET	1	2	4
				<b>ASSEMBLY ROD AND PARTS</b>			
46	E68J40	X	50003185	ASSEMBLY ROD (2)	2	2	4
47	69J40	X	50003193	ASSEMBLY ROD NUT (2)		2	2
				<b>MISCELLANEOUS PARTS</b>			
48	A49J40	X	50003045	PISTON STEM BEARING			1
49	429J40	X	50003409	:: PISTON STEM BEARING SLEEVE	1	1	2
50	H66J40	X	50003136	FRONT HEAD (Standard)			
51	399JB5	X	50009182	:: STEEL HOLDER BOLT BUSHING (2)		2	4
52	82JB5	X	50008945	STEEL HOLDER (Standard)	1	2	3
53	344JB5	X	50009174	STEEL HOLDER BOLT (2)		2	2
54	296JB5	X	50009158	STEEL HOLDER BOLT NUT (2)		2	2
55	A288JB5	X	51357606	STEEL HOLDER SPRING (2)		2	4
56	528JB5	X	50009190	RETAINING RING (2)	2	2	4
		B23RDC50	50006212	WATER HOSE CONNECTION COMPLETE Refer to page 5			1

**\* OPTIONAL CHUCKS AND PARTS FOR JACKHAMMER SHANKS**  
(Furnished only when specially ordered)

Parts required for 7/8" Hex x 4-1/4" (22mm Hex x 108mm) Jackhammer Shank	Parts required for 1" Hex x 4-1/4" (25mm Hex x 108mm) Jackhammer Shank	Name of Part
C50JA45 (50014588) J66J40 (50003144)	A50JA45 (50014562) J66J40 (50003144) A82JB5 (50008960)	CHUCK FRONT HEAD STEEL HOLDER

NOTE: The optional chucks and parts can be substituted in place of similar standard parts on any J40 jackhammer.

**DESCRIPTION AND GENERAL INFORMATION**

NOTE: The Blower Style construction listed in column "1" is considered standard. It is equipped with a chuck to accommodate 7/8in. Hex x 3-1/4in (22mm Hex x 83mm) jackhammer shank. The rotation is four-pawl, up-stroke with the rifle bar and rifle nut having a spiral of one turn in 30 in. (762 mm). The ratchet has 35 teeth. Unless otherwise specified this construction will be furnished.

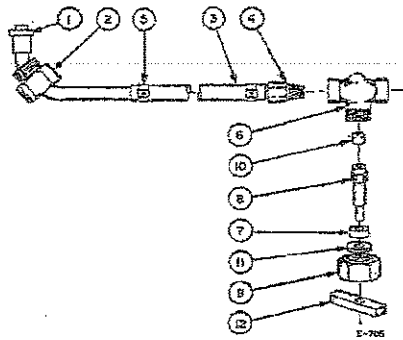
NOTE: The Wet Style construction listed in column "2" is optional and will be furnished only when specially ordered.

NOTE: When using the Wet Style Drill, the water pressure should never equal or exceed the air pressure, as it permits water to leak into the machine, destroying lubrication and in turn, the rock drill parts.

NOTE: The Hose Connection listed on PS535067 will be furnished only when specially ordered.

NOTE: An Air Line Lubricator must be used with the J40 jackhammer. We recommend the IRO-16F Air Line Lubricator with one pint capacity. Refer to PS-5870.11 for Parts List and Illustration of this lubricator. A high quality rock Drill Oil conforming to I-R Specifications as shown in Form 4704-B or on the Instruction Tag attached to the Lubricator, must be used in the lubricator. The Air Line Lubricator will be furnished only when specially ordered and at extra cost.

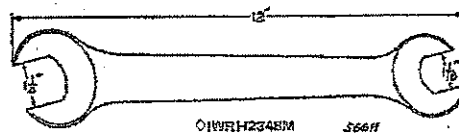
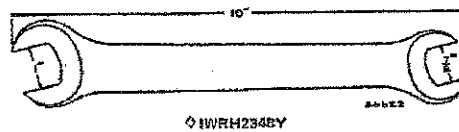
NOTE: Wrenches furnished at extra cost when specially ordered.



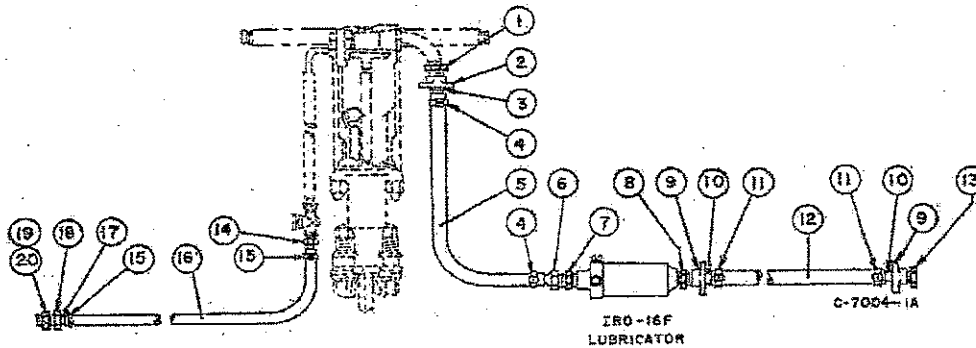
**B23RDC50 WATER HOSE CONNECTION**  
 Furnished as standard with each complete Wet Style J40 Jackhammer

ILLUS. NO	PART NO.	I-R STOCK NO.	NAME OF PART (Parts indented under an item are included with that item)	CLASS		
				1 MIN	2 AV	3 MAX
	B23RDC50	50006212	WATER HOSE CONNECTION COMPLETE			1
	B20RDC50	50006188	:: WATER HOSE CONNECTION BARE			
1	A73S49	50034321	::: WATER HOSE STEM			
2	18D41	50028794	::: WATER HOSE NUT			
3	18A43	50069848	::: WATER HOSE			
4	18A44	50028828	::: WATER HOSE SCREW STEM			
5	PK5	50048347	::: HOSE CLAMP (2)			
	18D264	50028000	:: WATER VALVE COMPLETE			
6	18A47	50028836	::: WATER VALVE BODY			
7	18A48	50028844	::: WATER VALVE BUSHING			
8	18A49	50028851	::: WATER VALVE VALVE			
9	18A50	50028869	::: WATER VALVE BODY CAP			
10	18A51	50028877	::: WATER VALVE SEAT			
11	18A52	50028885	::: WATER VALVE RUBBER PACKING			
12	18F53	50027973	::: WATER VALVE HANDLE			

Wrenches Furnished When Specially Ordered:



**HOSE CONNECTIONS FOR J40 JACKHAMMER**  
 Furnished Only when Specially Ordered at Extra Cost



ILLUS. NO	PART NO.	I-R STOCK NO.	NAME OF PART (Parts indented under an item are included with that item)	CLASS		
				1 MIN	2 AV	3 MAX
			<b>AIR HOSE CONNECTION COMPLETE (Drill to Lubricator)</b>			1
1	6DHC75	50002328	HOSE SPUD			
2	3HD1	50069731	HOSE NUT			
3	7DHC75	50002336	HOSE STEM			
4	PK6		HOSE CLAMP (2)		2	4
5	4A23X012L150		AIR HOSE (3/4" x 12'6" lg/19mm x 3810mm)		1	2
6	581BC1	50112895	HOSE STEM			
7	23A7M11	50131150	REDUCING BUSHING			
			<b>AIR HOSE CONNECTION COMPLETE (Lubricator to Main Air Supply)</b>			
8	5HDC75	50002310	HOSE SPUD			
9	3HDI	50069731	HOSE NUT (2)			
10	7HDC75	50002336	HOSE STEM (2)			
11	PK6		HOSE CLAMP (2)		2	4
12	4A23X012L600	50069905	AIR HOSE (3/4" x 50' long/19mm x 15.24m)		1	2
13	6DHC75	50002328	HOSE SPUD			
			<b>WATER HOSE CONNECTION COMPLETE (Drill to Water Supply)</b>			
14	18A44	50028828	HOSE STEM			
15	BN4	50048388	HOSE CLAMP (2)		2	4
16	4A23X008L600	50069830	WATER HOSE (1/2" x 50' lg/13mm x 15.24m)		1	2
17	L1123	50059211	HOSE STEM			
18	L1117	50059179	HOSE COUPLING NUT			
19	90BB1	50114750	HOSE GASKET	1	1	2
20	L1104	50060771	HOSE SPUD			