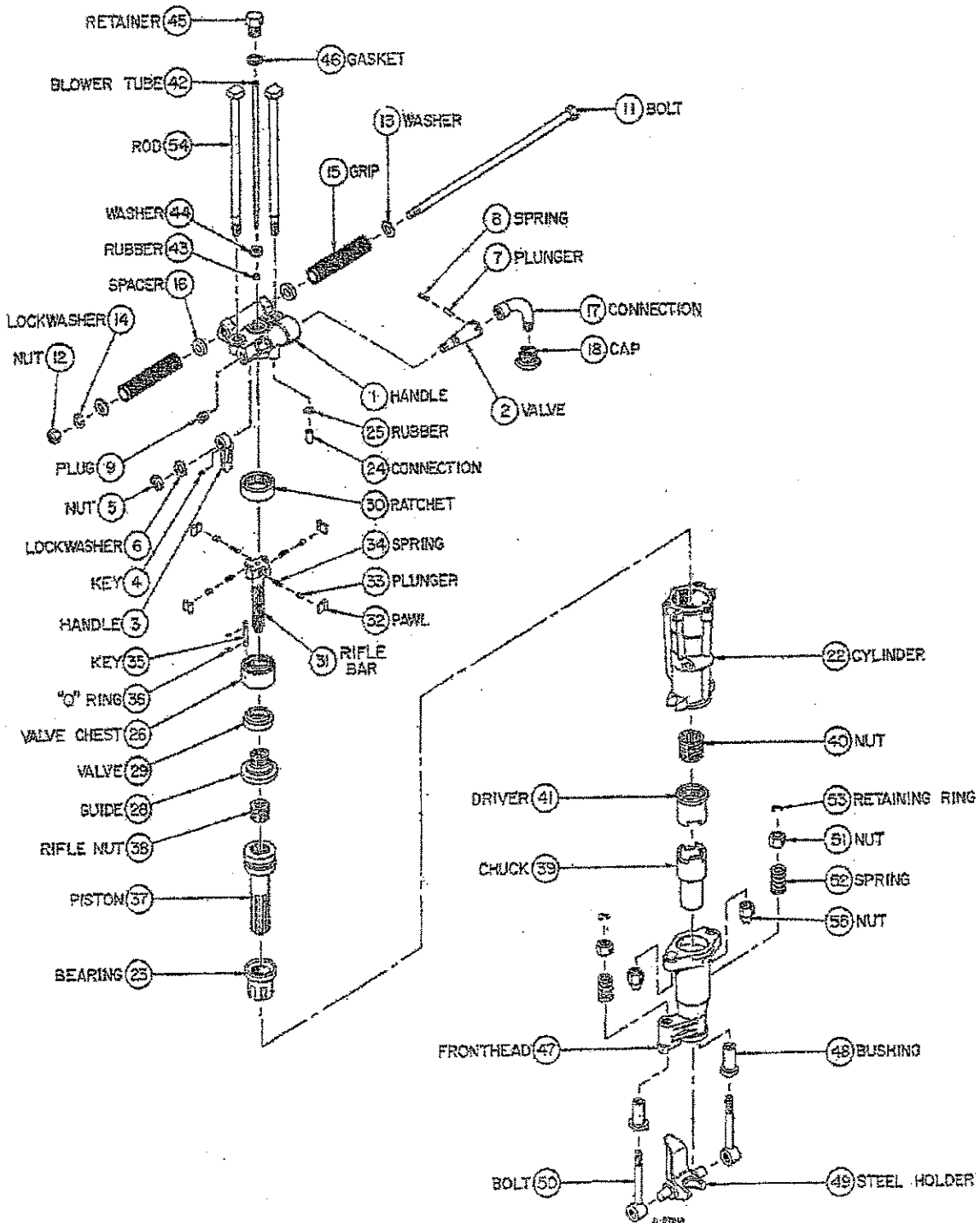
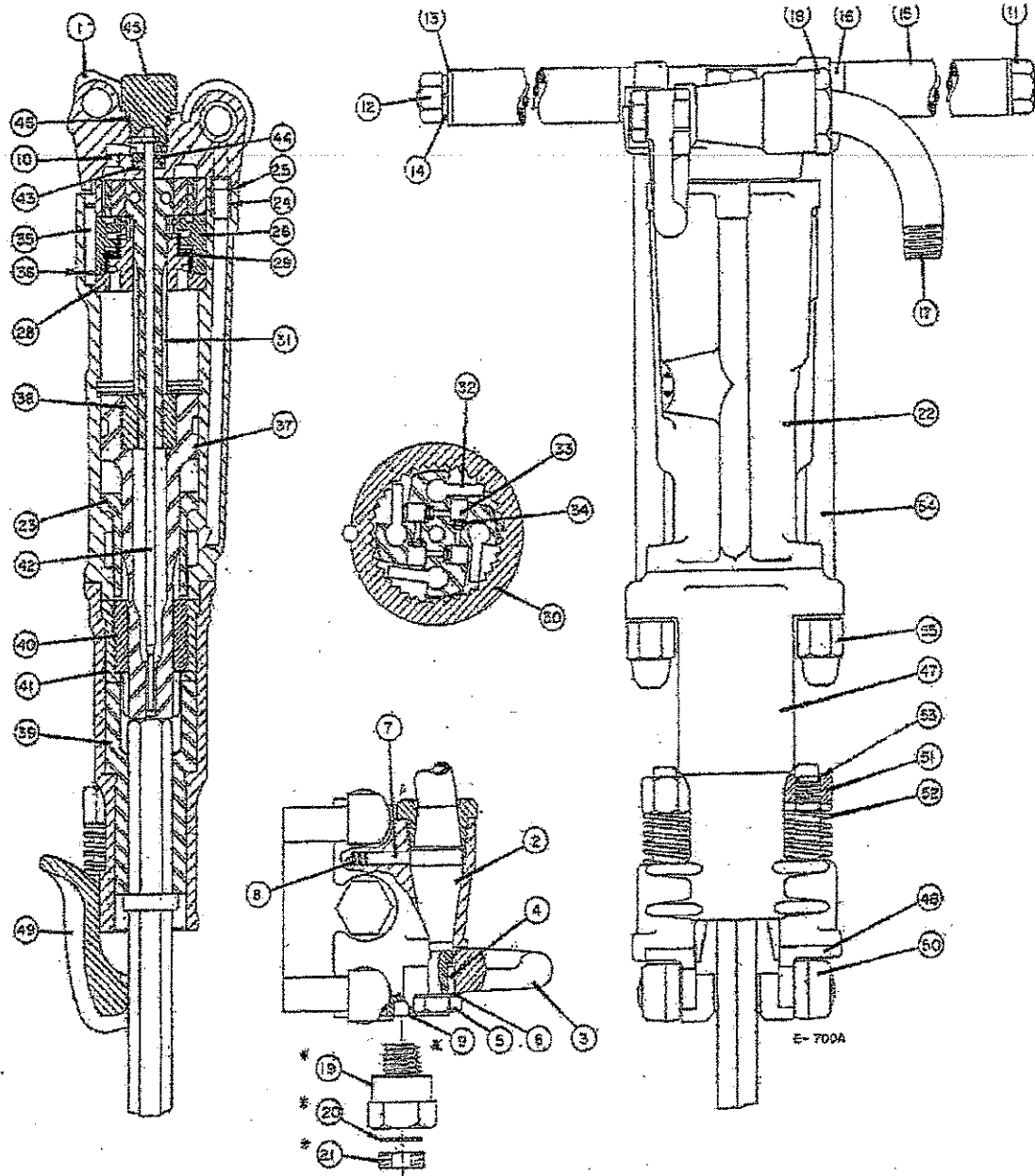


J50A "JACKHAMER"





*NOTE— The Plug (9) is required for the Blower Style construction; the Plug (10) is required for the Wet Style construction. When using the Wet Style construction, the Spud (19), Strainer (20) and Rubber (21) replace the Plug (9).

Recommended Spares

The spare part recommendations for this Jackhammer are shown in three columns under heading "Recommended Spares." Recommendations are given for three (3) classes of installations, based on spare parts availability and cover one shift operation for one year.

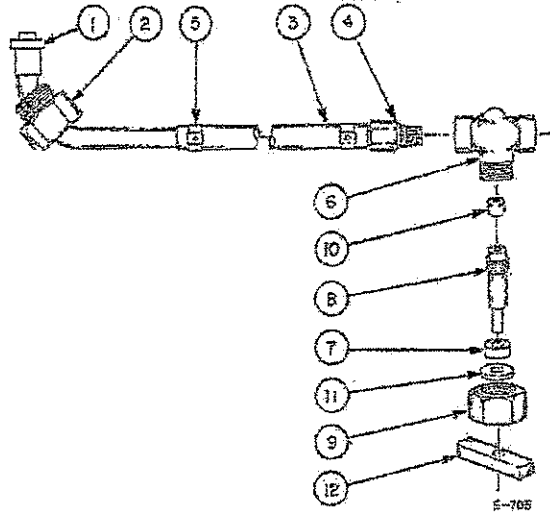
- CLASS 1 (MIN.)**—Covers recommended quantities of spares for a single unit where additional spare parts are ordinarily available from Branch or Dealer stock.
- CLASS 2 (AV.)**—Covers recommended quantities of spares for a single unit where additional spares would not be readily available.
- CLASS 3 (MAX.)**—Covers recommended quantities of spare parts for a single unit where maximum protection from major shutdown must be afforded, such as an expert installation.

PARTS LIST J50A JACKHAMMER

When ordering spares, please give (1) the NAME of the part as listed, (2) the PART NO as listed and stamped on the part, and (3) the SERIAL NUMBER of the machine.
DO NOT use illustration numbers when ordering spare parts.

ILLUS NO.	PART NO		NAME OF PART Parts indented under an item are included with that item	CLASS		
	BLOWER STYLE	WET STYLE		1 MIN	2 AV.	3 MAX
HANDLE AND PARTS						
1	150J50A	X	HANDLE			
2	A15J50A	X	: THROTTLE VALVE			1
3	50003730	X	: THROTTLE VALVE HANDLE		1	1
4	50171495	X	: THROTTLE VALVE HANDLE KEY		1	1
5	50004852	X	: THROTTLE VALVE HANDLE NUT		1	1
6	50140227	X	: THROTTLE VALVE HANDLE NUT LOCK WASHER		1	1
7	50003748	X	: PLUNGER			1
8	C84	X	: THROTTLE VALVE PLUNGER SPRING			1
9	31A7S5		WATER INLET PLUG			
10		50137314	HANDLE PLUG			
	450JB4	X	HANDLE BOLT ASSEMBLY			
11	50014661	X	: HANDLE BOLT			1
12	50132158	x	: HANDLE BOLT NUT			1
13	50114727	X	: HANDLE BOLT WASHER (2)			1
14	50140052	X	: HANDLE BOLT LOCK WASHER			1
15	50810563	X	: HANDLE GRIP (2)			
16	50013937	X	: HANDLE GRIP SPACER (2)			
17	50008556	X	HOSE CONNECTION			1
18	50028117	X	HOSE CONNECTION CAP			
19		295R38	WATER SPUD			
20		50004845	WATER STRAINER	1	2	3
21		50004878	WATER HOSE STEM RUBBER	1	2	3
CYLINDER AND PARTS						
22	1J50A		CYLINDER			
23	49J50A		: PISTON STEM BEARING			1
24	A169DA35	X	BLOWER PORT CONNECTION			
25	A171DA35	X	BLOWER PORT CONNECTION RUBBER			1
VALVE CHEST AND PARTS						
26	94J50	X	VALVE CHEST			1
28	50008531	X	VALVE GUIDE			1
29	50006816	X	VALVE		1	1
ROTATION PARTS						
30	A59J50A	X	ROTATION RATCHET		1	1
31	58R38	X	RIFLE BAR	1	2	3
32	50172386	X	ROTATION PAWL (4)	4	4	8
33	61S68	X	ROTATION PAWL PLUNGER (4)	4	4	8
34	C81	X	ROTATION PAWL PLUNGER SPRING (4)	8	8	16
35	174J50A	X	ROTATION RATCHET KEY			
36	50140516	X	O RING (2)			
PISTON						
37	65J50	X	PISTON	1	1	2
38	50004183	X	RIFLE NUT	2	3	4

"X" indicates that the part number is identical to the part number in the preceding column.

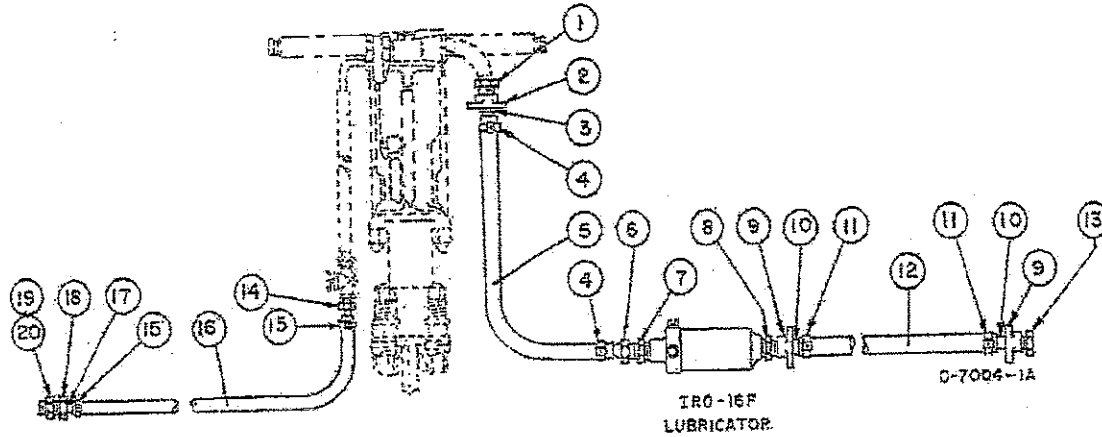


CLASS 2 B23RDC50 WATER HOSE CONNECTION
 (Furnished as standard with each complete Wet Style J50A Jackhammer)

Recommended Spares →

ILLUS NO.	PART NO	NAME OF PART Parts indented under an item are included with that item	CLASS		
			1 MIN	2 AV.	3 MAX
	50006212	WATER HOSE CONNECTION - COMPLETE (CLASS NO 2)			1
	50006188	WATER HOSE CONNECTION BARE			
1	50034321	WATER HOSE STEM			
2	50028794	WATER HOSE NUT			
3	4A23X008L13	WATER HOSE			
4	50028828	WATER HOSE SCREW STEM			
5	50048388	HOSE CLAMP (2)			
	50028000	WATER VALVE COMPLETE			
6	50028836	WATER VALVE BODY			
7	50028844	WATER VALVE BUSHING			
8	50028851	WATER VALVE			
9	50028869	WATER VALVE BODY CAP			
10	50028877	WATER VALVE SEAT			
11	50028886	WATER VALVE RUBBER PACKING			
12	50027973	WATER VALVE HANDLE			

**HOSE CONNECTIONS
FOR
J50A JACKHAMER**
(Furnished Only When Specially Ordered at Extra Cost)



ILLUS NO.	PART NO	NAME OF PART Parts indented under an item are included with that item	CLASS		
			1 MIN	2 AV.	3 MAX
		AIR HOSE CONNECTION COMPLETE (Drill to Lubricator)			
1	50002328	HOSE SPUD			
2	50069731	HOSE NUT			
3	50002336	HOSE STEM			
4	PK6	HOSE CLAMP (2)		2	4
5	4A23X012L150	AIR HOSE (3/4" X 12'5") (19mm X 3810mm)		1	2
6	50112895	HOSE STEM			
7	50131150	REDUCING BUSHING			
		AIR HOSE CONNECTION COMPLETE (Lubricator to Main Air Supply)			
8	50002310	HOSE SPUD			
9	50069731	HOSE NUT (2)			
10	50002336	HOSE STEM (2)			
11	PK6	HOSE CLAMP (2)		2	4
12	50069905	AIR HOSE (3/4" X 50') (19mm X 15.24m)		1	2
13	50002328	HOSE SPUD			
		WATER HOSE CONNECTION COMPLETE (Drill to Water Supply)			
14	50028828	HOSE STEM			
15	50048347	HOSE CLAMP (2)		2	4
16	50069905	WATER HOSE (1/2" X 50') (13mm X 15.24m)		1	2
17	50059211	HOSE STEM			
18	50059179	HOSE COUPLING NUT			
19	50114750	HOSE GASKET	1	2	2
20	50060771	HOSE SPUD			