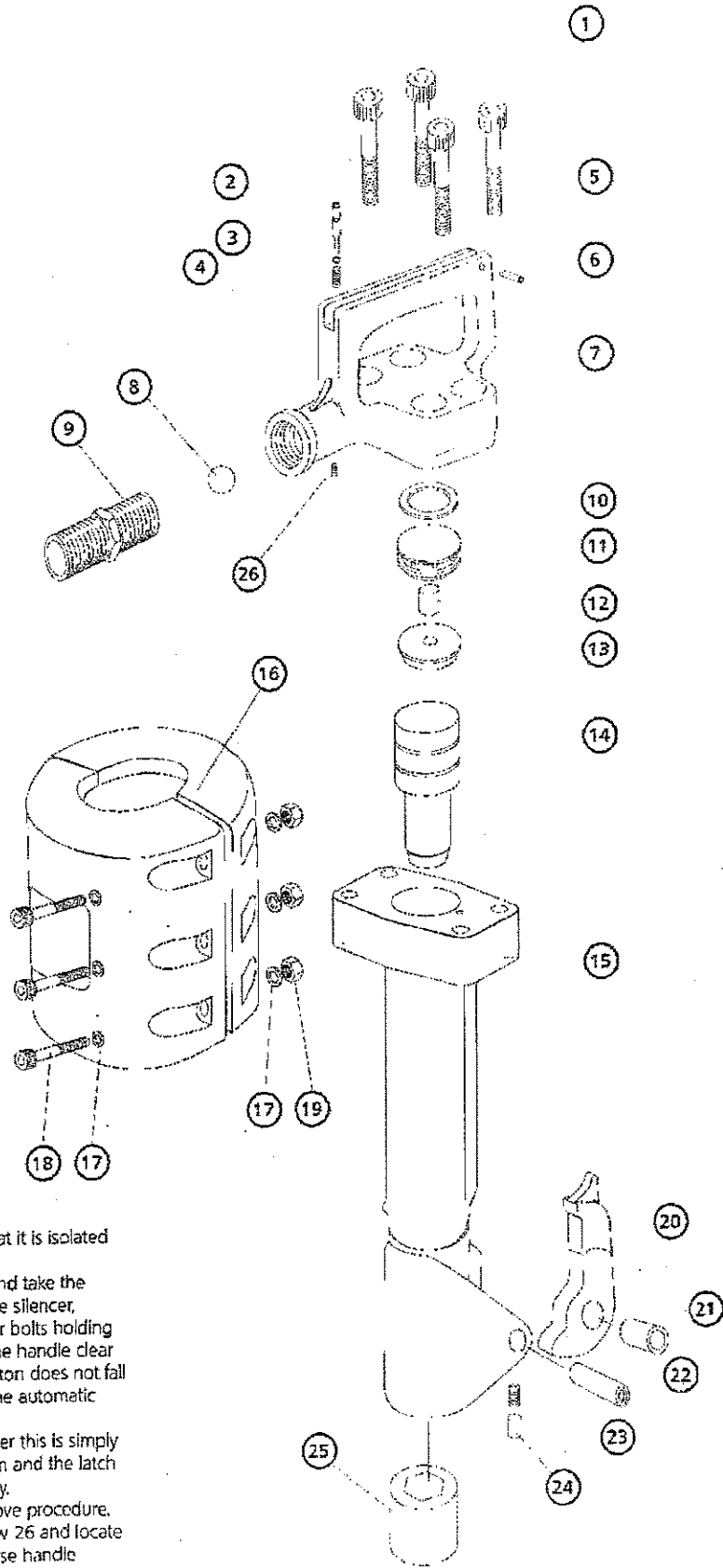
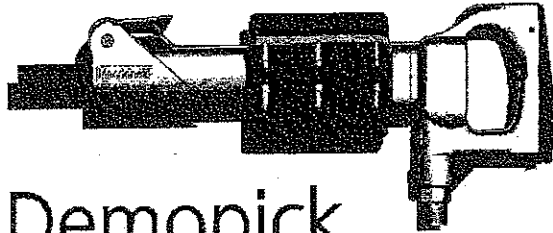


DM11S Demopick



Dismantling

To dismantle the tool first ensure that it is isolated from the air hose. Grip the handle securely in a vice and take the three screws and locknuts out of the silencer, remove the silencer. Loosen the four bolts holding the cylinder to the handle and lift the handle clear of the cylinder ensuring that the piston does not fall out on the floor. Carefully remove the automatic valve mechanism from the handle. If it is necessary to remove the trigger this is simply achieved by driving out the pivot pin and the latch retainer is removed in the same way. Assembly is the opposite of the above procedure. To reverse the handle, remove screw 26 and locate in alternative screw hole, then reverse handle through 180 degrees.



DM11S Demopick

Item	Part No.	Description	Qty per tool
O	1	162007 Throttle Lever	1
R	2	162009 Throttle Valve Pin	1
R	3	001006 Throttle Valve Stem Seal	1
R	4	162010 Throttle Spring	1
O	5	162011 Capscrew	4
R	6	162008 Throttle Lever Pin	1
	7	162001 Handle	1
R	8	023014 Throttle Valve Ball	1
	9	901010 Nipple Connection	1
O	10	153022 Preload Pad	1
O	11	162004 Valve Block	1
O	12	162006 Valve	1
O	13	162005 Valve Seat	1
O	14	156008 Piston	1
	15	162002 Cylinder	1
O	16	162012 Silencer	1
O	17	029013 Washer	6
O	18	910101 Silencer Screw	3
O	19	029009 Locknut	3
O	20	162003 Latch Retainer	1
R	21	153004 Latch Bushing	1
R	22	203037 Retaining Pin	1
R	23	153018 Latch Retainer Spring	1
R	24	153021 Latch Plunger	1
O	25	153002 Chuck bushing	1
	26	162014 Kickport Screw	1

R = Recommended Spares (in stock)
 O = Occasional Spares (order as required)