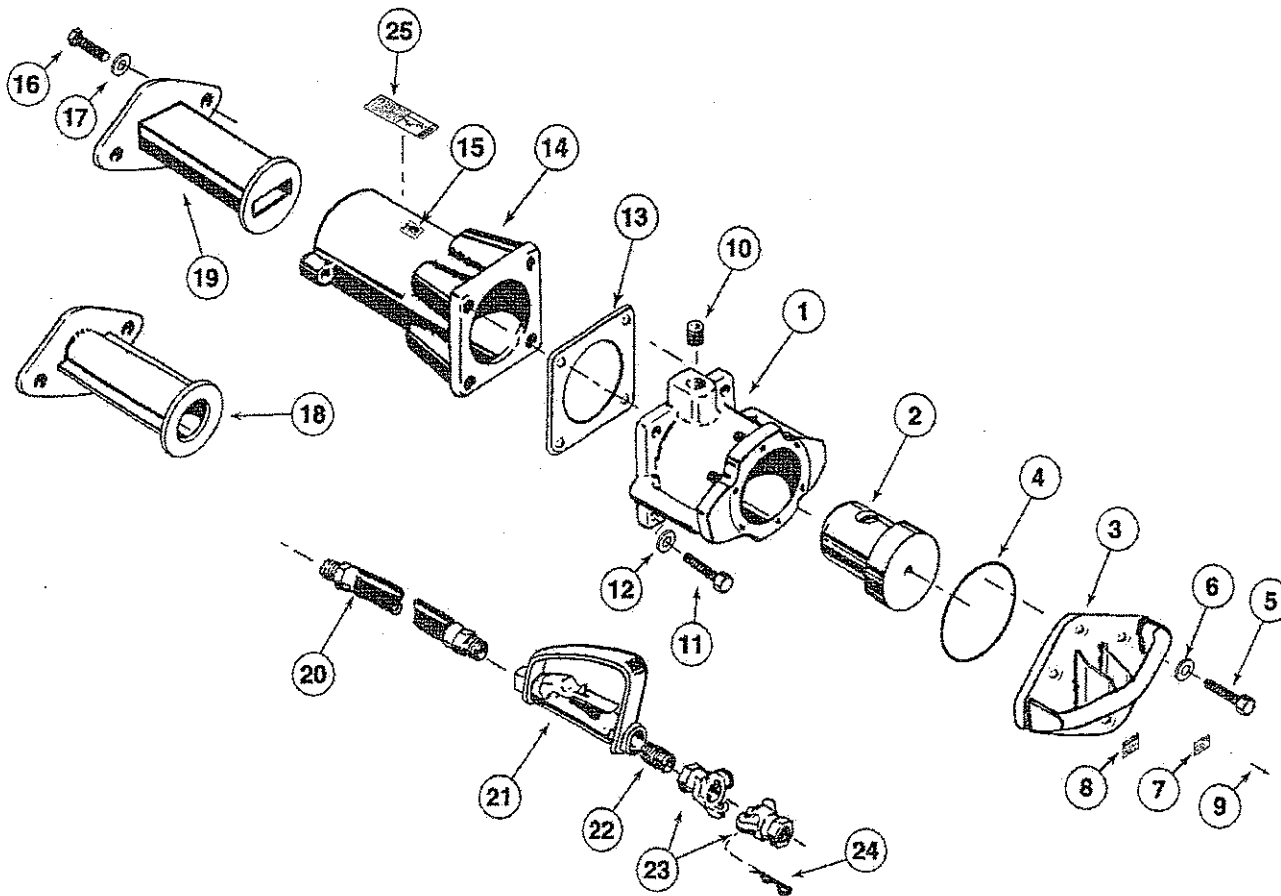


Rhino Exploded View

PD-110 Air Operated Post Driver & Accessories



CROWDER SUPPLY CO., INC. - 8495 ROSLYN ST. - COMMERCE CITY, CO 80022 - TOLL FREE 888-883-5144 - www.crowdersupply.com



Rhino Tool Company • 620 Andrews Ave., PO Box 111 • Kewanee, IL 61443 • www.rhinotool.com • Tel: 309-853-5555 • Fax: 309-856-5905
 Rhino Tool Company has a policy of continuous product improvement and reserves the right to change specifications, designs, or prices at any time without notice or incurring obligations for said changes.

Rhino and  are registered trademarks of Rhino Tool Company. © Copyright 2002 Rhino Tool Company

Printed in U.S.A.

Form 239 - 1/02

Rhino Parts List

PD-110 Air Operated Post Driver & Accessories

NO.	DESCRIPTION	PART NO.	NO. REQUIRED
	Model PD-110 with 4 1/4" (107.9 mm) I.D. Master Chuck	70014	
1	Body	70585	1
2	Piston	70046	1
3	Top Cover	70595	1
4	O-Ring	499403	1
5	Cap Screw	500022	6
6	Compression Washer	517705	6
7	Model/Serial No. Plate	241	1
8	Warning Plate	242	1
9	Pop Rivet	519004	8
10	Pipe Plug	230400	1
11	Cap Screw	500178	4
12	Compression Washer	517702	4
13	Gasket	700002	1
14	4 1/4" (107.9 mm) I.D. Master Chuck Assembly (Includes Nos. 11, 12, 13, 14, 15, 25)	70593	1
15	Rhino Decal	135	1
16	Cap Screw	500178	2
17	Compression Washer	517702	2
18	3 5/8" (92 mm) I.D. Chuck Adapter*	70622	
	3" (76.2 mm) I.D. Chuck Adapter*	70623	
	2 1/2" (63.5 mm) I.D. Chuck Adapter*	70624	
	2" (50.8 mm) I.D. Chuck Adapter*	70625	
19	Channel Post Chuck Adapter (1.2 to 1.5 lbs/ft Posts)*	70628	
	Channel Post Chuck Adapter (2 to 2.75 lbs/ft Posts)*	70629	
	Channel Post Chuck Adapter (3 to 4 lbs/ft Posts)*	70630	
	*See Chuck Sizing Tech Data (Form No. 121-1); Includes Necessary Cap Screws and Compression Washers		
	Throttle Valve Kit with 2 ft Hose Assembly (Includes Nos. 20, 21, 22, 23, 24)	600000	
20	3/4" (19 mm) Hose Assembly	607000	1
	3/4" (19 mm) Hose Per Foot (Order Length Needed)	605006	
21	Throttle Valve with Lever Guard	610026	1
22	Pipe Nipple	230401	1
23	Coupler	606600	2
24	Safety Clip	606601	1
25	Warning Label	245	1



Rhino Tool Company • 620 Andrews Ave., PO Box 111 • Kewanee, IL 61443 • www.rhinotool.com • Tel: 309-853-5555 • Fax: 309-856-5905
Rhino Tool Company has a policy of continuous product improvement and reserves the right to change specifications, designs, or prices at any time without notice or incurring obligations for said changes.

Rhino and are registered trademarks of Rhino Tool Company. © Copyright 2002 Rhino Tool Company

Printed in U.S.A.

Form 239 - 1/02