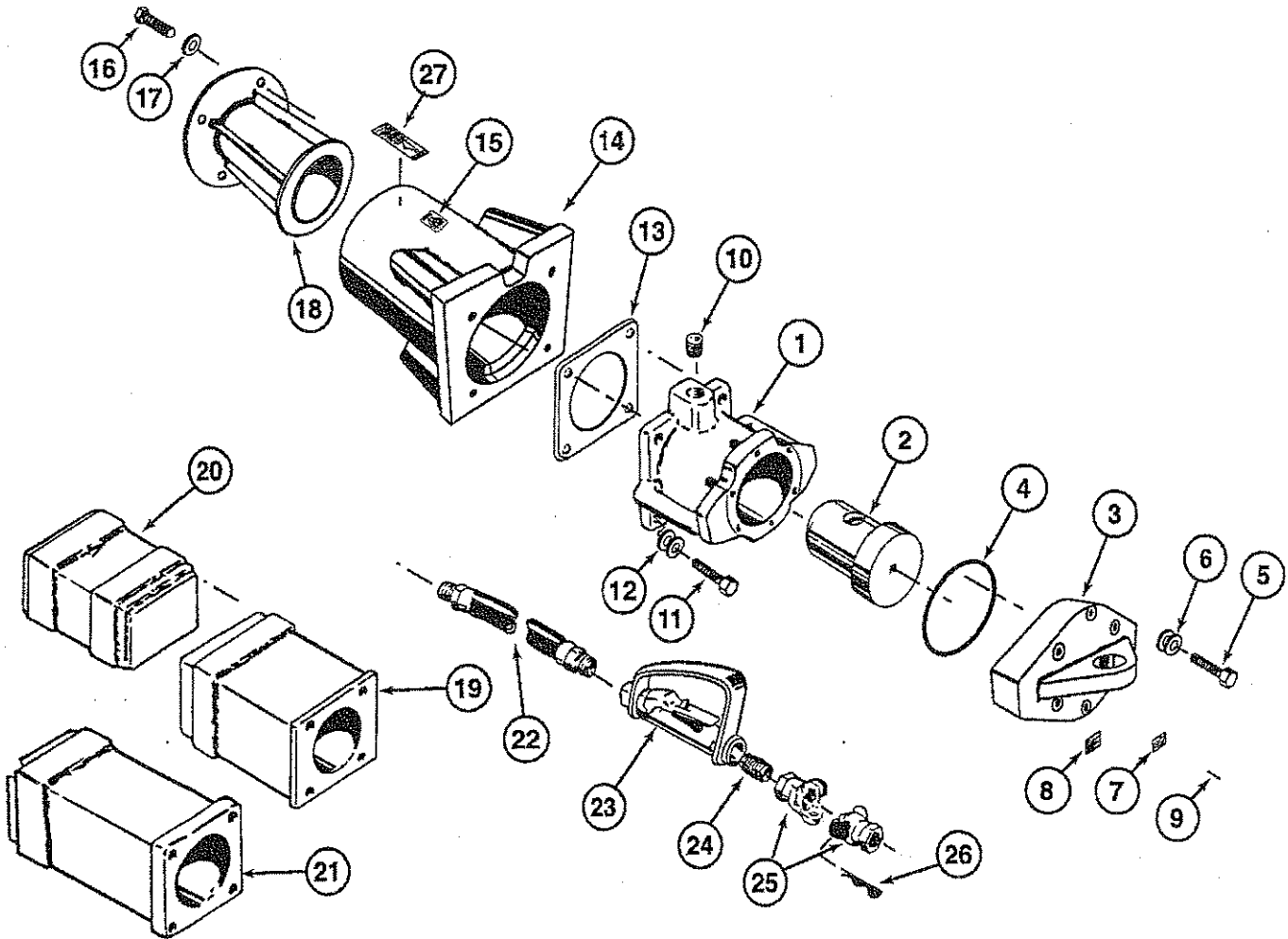


Rhino Exploded View

PD-200 Air Operated Post Driver & Accessories



CROWDER SUPPLY CO, INC. - 8495 ROSLYN ST. - COMMERCE CITY, CO 80022 - TOLL FREE 888-883-5144 - www.crowdersupply.com



Rhino Tool Company • 620 Andrews Ave., PO Box 111 • Kewanee, IL 61443 • www.rhinotool.com • Tel: 309-853-5555 • Fax: 309-856-5905
 Rhino Tool Company has a policy of continuous product improvement and reserves the right to change specifications, designs, or prices at any time without notice or incurring obligations for said changes.

Rhino and are registered trademarks of Rhino Tool Company. © Copyright 2002 Rhino Tool Company

Printed in U.S.A.

Form 294 - 8/07

Rhino Parts List

PD-200 Air Operated Post Driver & Accessories

CROWDER SUPPLY CO., INC. - 8495 ROSLYN ST. - COMMERCE CITY, CO 80022 - TOLL FREE 888-883-5144 - www.crowdersupply.com

NO.	DESCRIPTION	PART NO.	NO. REQUIRED
	Model PD-200 with 5 1/2" (139.7 mm) I.D. Master Chuck	070745	
1	Body	070585	1
2	Piston	070046	1
3	Top Cover	070750	1
4	O-Ring	499403	1
5	Cap Screw	500027	6
6	Compression Washer	517705	12
7	Model/Serial No. Plate	241	1
8	Warning Plate	242	1
9	Metal Tack	519004	8
10	Pipe Plug	230400	1
11	Cap Screw	500029	4
12	Compression Washer	517702	8
13	Gasket	700002	1
14	5 1/2" (139.7 mm) I.D. Master Chuck Assembly <i>(Includes Nos. 11, 12, 13, 14, 15, 27)</i>	070746	1
15	Rhino Decal	135	1
16	Cap Screw	500178	4
17	Compression Washer	517702	4
18	3 1/8" (79.4 mm) I.D. Chuck Adapter for 5 1/2" Master Chuck	070782	1
	3 3/4" (95.3 mm) I.D. Chuck Adapter for 5 1/2" Master Chuck (not shown)	070783	1
	4 1/4" (107.9 mm) I.D. Chuck Adapter for 5 1/2" Master Chuck (not shown)	070784	1
	4 3/4" (120.7 mm) I.D. Chuck Adapter for 5 1/2" Master Chuck (not shown)	070785	1
	7" (177.8 mm) I.D. Master Chuck (not shown) <i>(Includes Nos. 12, 13, 14, 15, 27 and 4 cap screws, -part # 500028)</i>	070758	1
	3 1/8" (79.4 mm) I.D. Chuck Adapter for 7" Master Chuck (not shown)	070786	1
	3 3/4" (95.3 mm) I.D. Chuck Adapter for 7" Master Chuck (not shown)	070787	1
	4 1/4" (107.9 mm) I.D. Chuck Adapter for 7" Master Chuck (not shown)	070788	1
	4 3/4" (120.7 mm) I.D. Chuck Adapter for 7" Master Chuck (not shown)	070789	1
	5 1/4" (133.4 mm) I.D. Chuck Adapter for 7" Master Chuck (not shown)	070790	1
	5 3/4" (146.1 mm) I.D. Chuck Adapter for 7" Master Chuck (not shown)	070791	1
19	4" x 6" (101 mm x 152 mm) H Column Chuck* <i>(Includes 4 cap screws, -part # 500028 and 8 washers- part # 517702)</i>	070759	1
20	4" x 6" (101 mm x 152 mm) H Column Drive Cap	070062-T	1
21	4" x 4" (101 mm x 101 mm) Wood Post Chuck* <i>(Includes 4 cap screws, -part # 500029 and 8 washers- part # 517702)</i>	070760	1
	6" x 6" (152 mm x 152 mm) Wood Post Chuck* (not shown) <i>*See Chuck Sizing Tech Data (Form No. 121-1); Includes Necessary Cap Screws and Compression Washers</i>		
	Throttle Valve Kit with 2 ft Hose Assembly <i>(Includes Nos. 22, 23, 24, 25, 26)</i>	600000	
22	3/4" (19 mm) Hose Assembly	607000	1
	3/4" (19 mm) Hose Per Foot (Order Length Needed)	605006	
23	Throttle Valve with Lever Guard	610026	1
24	Pipe Nipple	230401	1
25	Coupler	606600	2
26	Safety Clip	606601	1
27	Warning Label	245	1



Rhino Tool Company • 620 Andrews Ave., PO Box 111 • Kewanee, IL 61443 • www.rhinotool.com • Tel: 309-853-5555 • Fax: 309-856-5905

Rhino Tool Company has a policy of continuous product improvement and reserves the right to change specifications, designs, or prices at any time without notice or incurring obligations for said changes.

Rhino and are registered trademarks of Rhino Tool Company.

© Copyright 2002 Rhino Tool Company

Printed in U.S.A.

Form 294 - 8/07