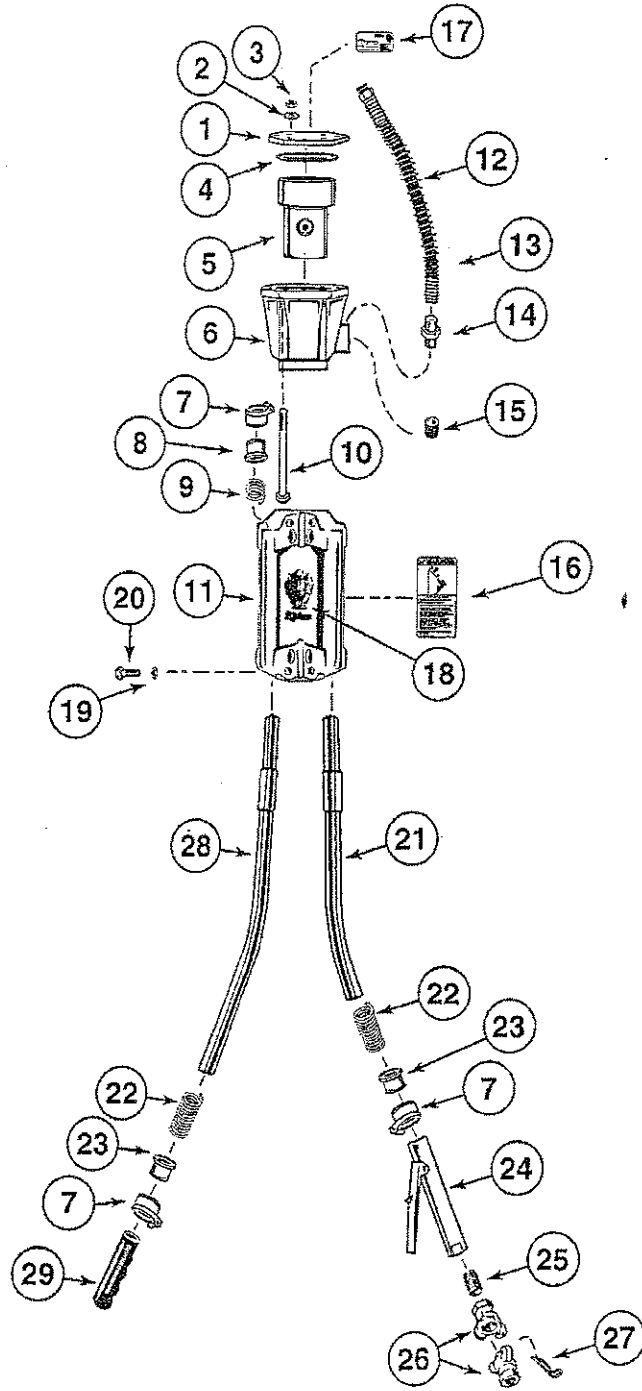


Rhino Exploded View

PD-39P Air Operated Panel Post Driver & Accessories




CROWDER SUPPLY CO, INC. - 8495 ROSLYN ST. - COMMERCE CITY, CO 80022 - TOLL FREE 888-883-5144 - www.crowdersupply.com



Rhino Tool Company • 620 Andrews Ave., PO Box 111 • Kewanee, IL 61443 • www.rhinotool.com • Tel: 309-853-5555 • Fax: 309-856-5905

Rhino Tool Company has a policy of continuous product improvement and reserves the right to change specifications, designs, or prices at any time without notice or incurring obligations for said changes.

Rhino and  are registered trademarks of Rhino Tool Company. © Copyright 2002 Rhino Tool Company

Printed in U.S.A.

Form 262 - 1/02

Rhino Parts List

PD-39P Air Operated Panel Post Driver & Accessories


NO.	DESCRIPTION	PART NO.	NO. REQUIRED
	Model PD-39P with 2 1/8" (54 mm) I.D. Master Chuck	70016	
1	Top Cover	70392	1
2	Compression Washer	517705	6
3	Hex Nut	518814	6
4	O-Ring	499401	1
5	Piston	70034	1
6	Body	70357	1
7	Handle Keeper	70180	4
8	Top Bushing	70327	2
9	Top Compression Spring	610010	2
10	Cap Screw	500019	6
11	Chuck Assembly	71101	1
12	Hose Spring	606606	1
13	Hose Assembly	70186	1
14	Fitting	606605	1
15	Pipe Plug	230402	1
16	Warning Label (back)	244	1
17	Serial Number Label (top)	187	1
18	Rhino Decal (front)	135	1
19	Hex Nut	518802	4
20	Cap Screw	500000	4
21	Handle, Valve Side	71108	1
22	Bottom Compression Spring	610011	2
23	Bottom Bushing	70328	2
24	PD-39/39P Throttle Valve	610000	1
25	Pipe Nipple	230401	1
26	Coupler	606600	2
27	Coupler Safety Clip	606601	1
28	Handle, Plain	71109	1
29	Handle Grip	700005	1

CROWDER SUPPLY CO., INC. - 8495 ROSLYN ST. - COMMERCE CITY, CO 80022 - TOLL FREE 888-883-5144 - www.crowdersupply.com



Rhino Tool Company • 620 Andrews Ave., PO Box 111 • Kewanee, IL 61443 • www.rhinotool.com • Tel: 309-853-5555 • Fax: 309-856-5905

Rhino Tool Company has a policy of continuous product improvement and reserves the right to change specifications, designs, or prices at any time without notice or incurring obligations for said changes.

Rhino and  are registered trademarks of Rhino Tool Company. © Copyright 2002 Rhino Tool Company

Printed in U.S.A.

Form 262 - 1/02