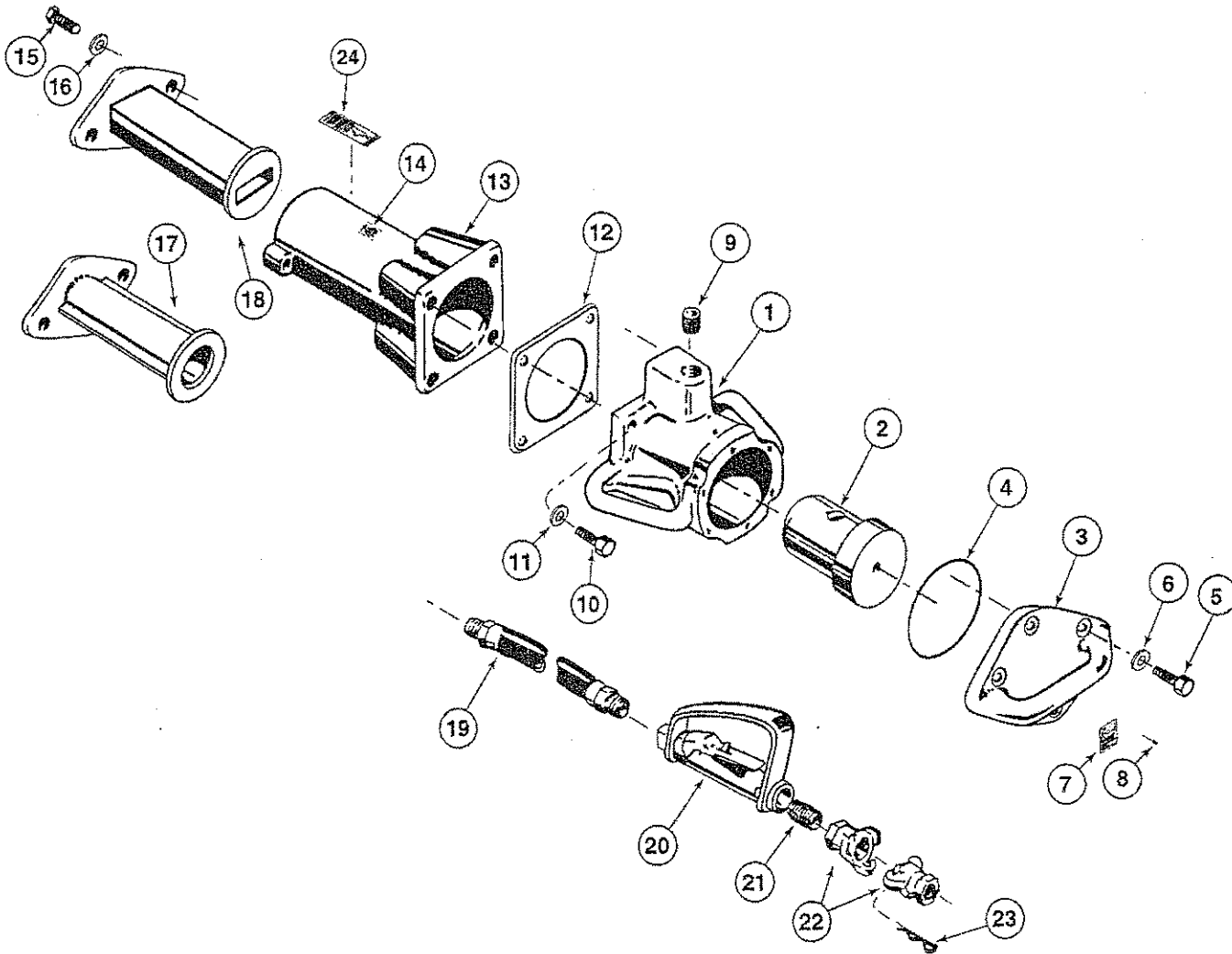


Rhino Exploded View

PD-55 Air Operated Post Driver & Accessories




CROWDER SUPPLY CO., INC. - 8495 ROSLYN ST. - COMMERCE CITY, CO 80022 - TOLL FREE 888-883-5144 - www.crowdersupply.com



Rhino Tool Company • 620 Andrews Ave., PO Box 111 • Kewanee, IL 61443 • www.rhinotool.com • Tel: 309-853-5555 • Fax: 309-856-5905

Rhino Tool Company has a policy of continuous product improvement and reserves the right to change specifications, designs, or prices at any time without notice or incurring obligations for said changes.

Rhino and  are registered trademarks of Rhino Tool Company.

© Copyright 2002 Rhino Tool Company

Printed in U.S.A.

Form 238 - 1/02



Rhino Parts List

PD-55 Air Operated Post Driver & Accessories


NO.	DESCRIPTION	PART NO.	NO. REQUIRED
	Model PD-55 with 3 7/8" (98.4 mm) I.D. Master Chuck	70013	
1	Body	70580	1
2	Piston	70034	1
3	Top Cover	70581	1
4	O-Ring	499401	1
5	Cap Screw	500021	6
6	Compression Washer	517705	6
7	Model/Serial No./Warning Plate	235	1
8	Pop Rivet	519004	4
9	Pipe Plug	230400	1
10	Cap Screw	500178	4
11	Compression Washer	517702	4
12	Gasket	700001	1
13	3 7/8" (98.4 mm) I.D. Master Chuck Assembly (Includes Nos. 10, 11, 12, 13, 14, 24)	70592	1
14	Rhino Decal	135	1
15	Cap Screw	500178	2
16	Compression Washer	517702	2
17	3 1/2" (88.9 mm) I.D. Chuck Adapter*	70609	
	3" (76.2 mm) I.D. Chuck Adapter*	70610	
	2 1/2" (63.5 mm) I.D. Chuck Adapter*	70611	
	2" (50.8 mm) I.D. Chuck Adapter*	70612	
	1 1/2" (38.1 mm) I.D. Chuck Adapter*	70613	
	1" (25.4 mm) I.D. Chuck Adapter*	70614	
18	Channel Post Chuck Adapter (1.2 to 1.5 lbs/ft Posts)*	70617	
	Channel Post Chuck Adapter (2 to 2.75 lbs/ft Posts)*	70618	
	Channel Post Chuck Adapter (3 to 4 lbs/ft Posts)*	70619	
	*See Chuck Sizing Tech Data (Form No. 121-1); Includes Necessary Cap Screws and Compression Washers		
	Throttle Valve Kit with 2 ft Hose Assembly (Includes Nos. 19, 20, 21, 22, 23)	600000	
19	3/4" (19 mm) Hose Assembly	607000	1
	3/4" (19 mm) Hose Per Foot (Order Length Needed)	605006	
20	Throttle Valve with Lever Guard	610026	1
21	Pipe Nipple	230401	1
22	Coupler	606600	2
23	Safety Clip	606601	1
24	Warning Label	244	1

CROWDER SUPPLY CO, INC. - 8495 ROSLYN ST. - COMMERCE CITY, CO 80022 - TOLL FREE 888-883-5144 - www.crowdersupply.com



Rhino Tool Company • 620 Andrews Ave., PO Box 111 • Kewanee, IL 61443 • www.rhinotool.com • Tel: 309-853-5555 • Fax: 309-856-5905

Rhino Tool Company has a policy of continuous product improvement and reserves the right to change specifications, designs, or prices at any time without notice or incurring obligations for said changes.

Rhino and  are registered trademarks of Rhino Tool Company.

© Copyright 2002 Rhino Tool Company

Printed in U.S.A.

Form 238 - 1/02