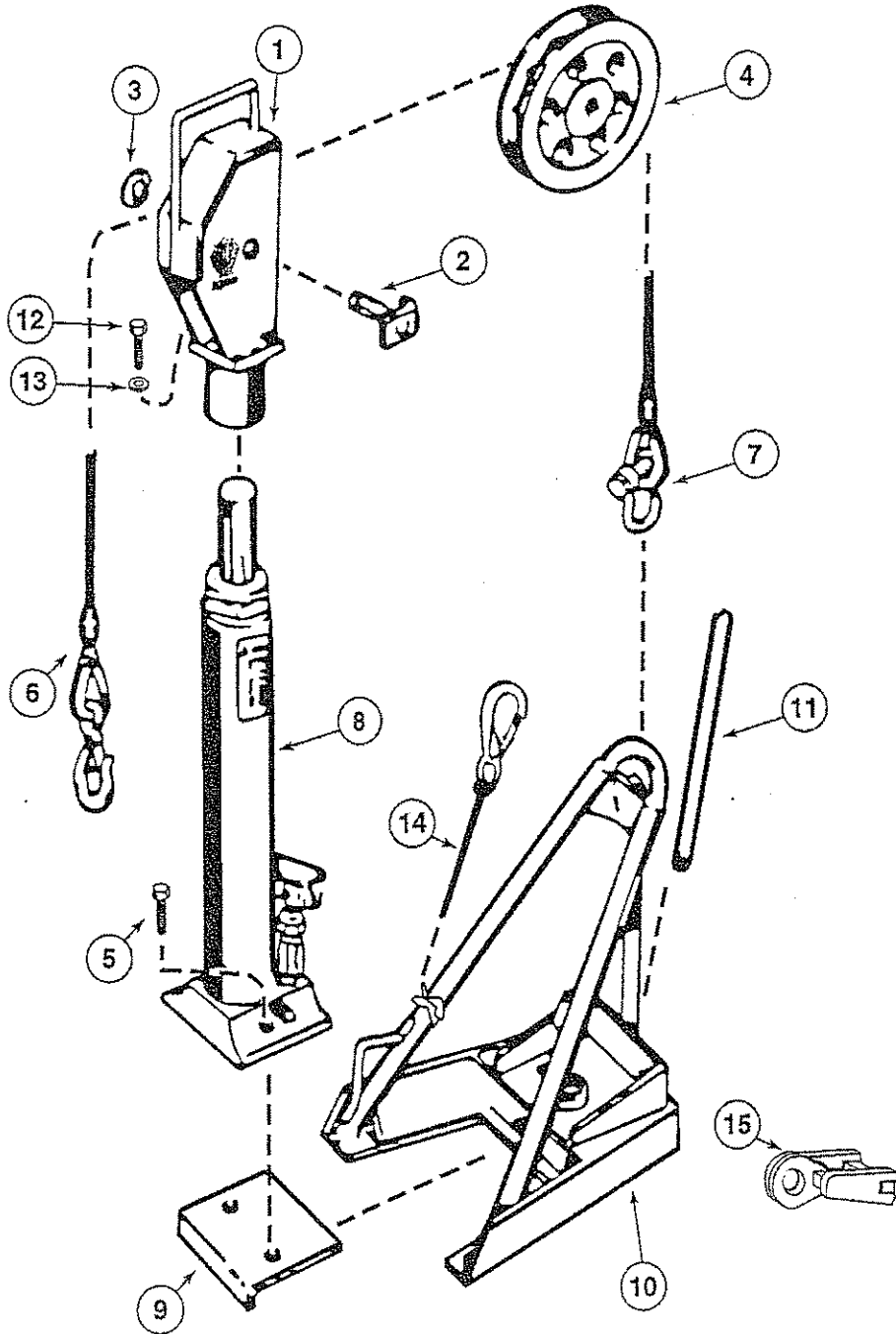


Rhino Exploded View

PL-3 Hydraulic Post Puller & Accessories

CROWDER SUPPLY CO., INC. - 8495 ROSLYN ST. - COMMERCE CITY, CO 80022 - TOLL FREE 888-883-5144 - www.crowdersupply.com



Rhino Parts List

PL-3 Hydraulic Post Puller & Accessories



| NO. | DESCRIPTION | PART NO. | NO. REQUIRED |
|-----|----------------------------------|----------|--------------|
| | PL-3 Hydraulic Post Puller | 71000 | |
| 1 | Pulley Mount | 70173 | 1 |
| 2 | Pulley Pin | 70439 | 1 |
| 3 | Retaining Ring | 531001 | 1 |
| 4 | Pulley | 602026 | 1 |
| 5 | Cap Screw | 500182 | 2 |
| 6 | Cable Assembly | 220399 | 1 |
| 7 | Anchor Shackle | 220400 | 1 |
| 8 | Hydraulic Pump/Cylinder Assembly | 70445 | 1 |
| 9 | Mounting Plate | 70440 | 1 |
| 10 | Base | 70446 | 1 |
| 11 | Handle | 70416 | 1 |
| 12 | Bolt | 500041 | 1 |
| 13 | Lock Washer | 517801 | 1 |
| 14 | Safety Restraint | 220401 | 1 |
| 15 | Post Grabber | 71040 | 1 |

CROWDER SUPPLY CO., INC. - 8495 ROSLYN ST. - COMMERCE CITY, CO 80022 - TOLL FREE 888-883-5144 - www.crowdersupply.com



Rhino Tool Company • 620 Andrews Ave., PO Box 111 • Kewanee, IL 61443 • www.rhinotool.com • Tel: 309-853-5555 • Fax: 309-856-5905

Rhino Tool Company has a policy of continuous product improvement and reserves the right to change specifications, designs, or prices at any time without notice or incurring obligations for said changes.

 and  are registered trademarks of Rhino Tool Company.

© Copyright 2002 Rhino Tool Company

Printed in U.S.A.

Form 123 - 1/02


Rhino Parts List

PL-3 Hydraulic Pump/Cylinder Assembly

| NO. | DESCRIPTION | PART NO. | NO. REQUIRED |
|-----|--|----------|--------------|
| | PL-3 Hydraulic Pump/Cylinder Assembly | 70445 | |
| | PL-3 Hydraulic Seal Kit (includes parts with asterisk) | 220569 | 1 |
| 1 | Ram Assembly (Includes Nos. 5, 7, 8, 9, 10) | 220582 | 1 |
| 2 | Reservoir Head | 220577 | 1 |
| 3 | O-Ring* | 220530 | 1 |
| 4 | Reservoir Head Assembly (Includes Nos. 2, 3) | 220586 | 1 |
| 5 | Ram | 220578 | 1 |
| 6 | Up-Stop Ring* | 220579 | 1 |
| 7 | Bushing | 220580 | 1 |
| 8 | Back-up Ring* | 220573 | 1 |
| 9 | U-Cup* | 220572 | 1 |
| 10 | Ram Cylinder | 220581 | 1 |
| 11 | Plug* | 220532 | 1 |
| 12 | Reservoir | 220548 | 1 |
| 13 | Handle Socket | 220550 | 1 |
| 14 | Piston Link | 220552 | 1 |
| 15 | Pin* | 220551 | 2 |
| 16 | Retaining Pin* | 220575 | 2 |
| 17 | Handle | 70416 | 1 |
| 18 | Pump Assembly (Includes Nos. 19, 20, 21, 23, 24) | 220584 | 1 |
| 19 | Packing Nut | 220553 | 1 |
| 20 | Pump Wiper* | 220534 | 1 |
| 21 | Pump Cylinder | 220554 | 1 |
| 22 | Piston Assembly (Includes Nos. 23, 24) | 220585 | 1 |
| 23 | Pump Piston | 220535 | 1 |
| 24 | Piston Cup* | 220536 | 1 |
| 25 | Piston Cylinder Washer* | 220537 | 1 |
| 26 | Release Screw Assembly (Includes Nos. 27, 28, 29) | 220583 | 1 |
| 27 | Release Screw Pin | 220556 | 1 |
| 28 | Release Screw | 220557 | 1 |
| 29 | O-Ring* | 220541 | 1 |
| 30 | Valve Ball (13/32 dia.)* | 220540 | 1 |
| 31 | Valve Ball (5/18 dia.)* | 220539 | 1 |
| 32 | Valve Ball (7/32 dia.)* | 220538 | 1 |
| 33 | Link Pin | 220555 | 1 |
| 34 | Valve Ball | 220538 | 2 |
| 35 | Base Assembly (Includes Nos. 14, 33, 34) | 220549 | 1 |

Rhino Tool Company • 620 Andrews Ave., PO Box 111 • Kewanee, IL 61443 • www.rhinotool.com • Tel: 309-853-5555 • Fax: 309-856-5905

Rhino Tool Company has a policy of continuous product improvement and reserves the right to change specifications, designs, or prices at any time without notice or incurring obligations for said changes.

Rhino and  are registered trademarks of Rhino Tool Company. © Copyright 2002 Rhino Tool Company

Printed in U.S.A.

Form XXX - 3/02

