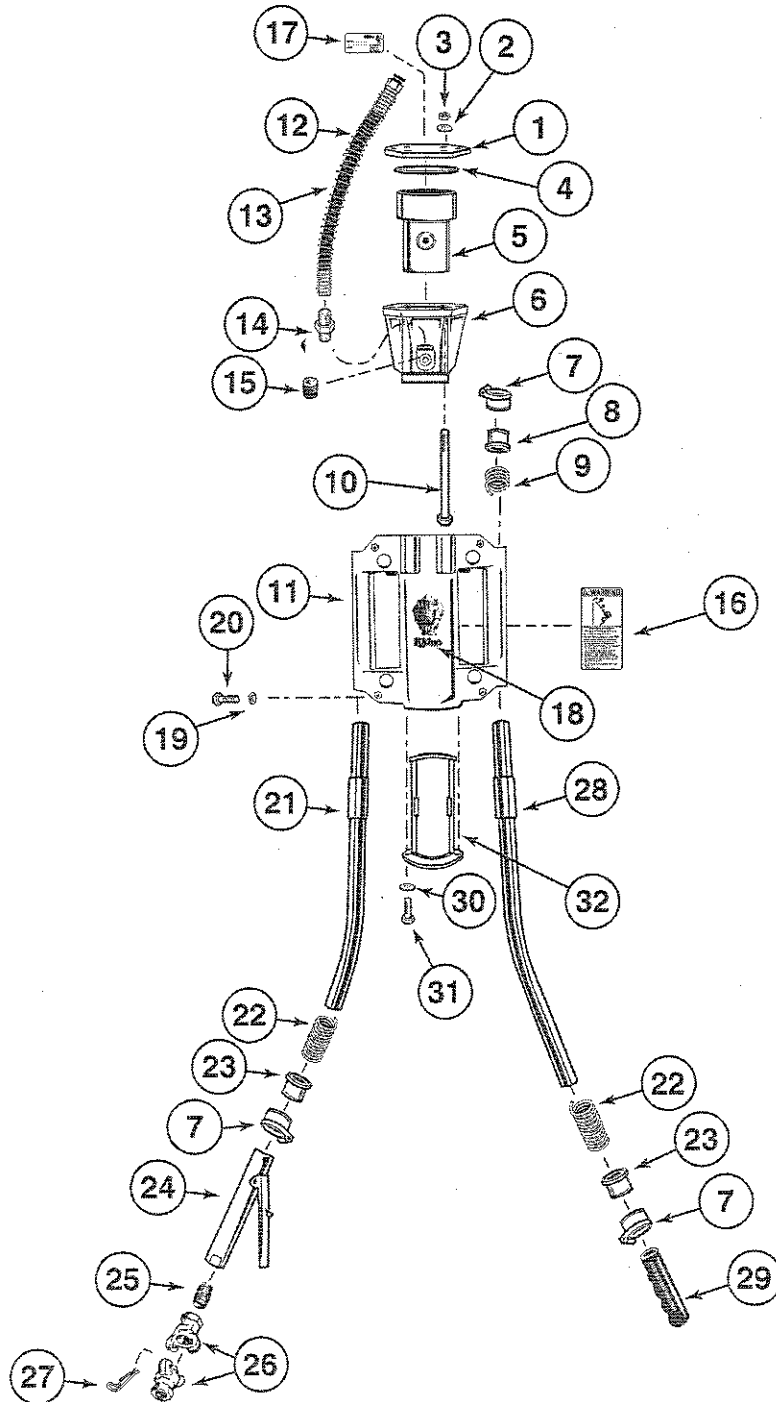


Rhino Exploded View

PD-39 Air Operated Post Driver & Accessories





Rhino Parts List

PD-39 Air Operated Post Driver & Accessories

NO.	DESCRIPTION	PART NO.	NO. REQUIRED
	Model PD-39 with 3 5/8" (92 mm) I.D. Master Chuck	070006	
1	Top Cover	070392	1
2	Compression Washer	517705	6
3	Hex Nut	518814	6
4	O-Ring	499401	1
5	Piston	070034	1
6	Body	070357	1
7	Handle Keeper	070180	4
8	Top Bushing	070327	2
9	Top Compression Spring	610010	2
10	Cap Screw	500019	6
11	Chuck Assembly	070358	1
12	Hose Spring	606606	1
13	Hose Assembly	070186	1
14	Fitting	606605	1
15	Pipe Plug	230402	1
16	Warning Label (back)	244	1
17	Serial Number Label (top)	187	1
18	Rhino Decal (front)	135	1
19	Hex Nut	518802	4
20	Cap Screw	500000	4
21	Handle, Valve Side	070566	1
22	Bottom Compression Spring	610011	2
23	Bottom Bushing	070328	2
24	PD-39/39P Throttle Valve	610000	1
25	Pipe Nipple	230401	1
26	Coupler	606600	2
27	Coupler Safety Clip	606601	1
28	Handle, Plain	070567	1
29	Handle Grip	700005	1
30	Compression Washer	517703	2
31	Cap Screw	500041	2
32	3" (76.2 mm) I.D. Chuck Adapter*	070330	1
	2 1/2" (63.5 mm) I.D. Chuck Adapter*	070320	1
	2" (50.8 mm) I.D. Chuck Adapter*	070319	1
	Channel Post Chuck Adapter - 3 to 4 lbs/ft Posts*	070334	1
	Channel Post Chuck Adapter - 2 to 2.75 lbs/ft Posts*	070337	1
	Channel Post Chuck Adapter - 1.2 to 1.5 lbs/ft Posts*	070338	1

*See Chuck Sizing Tech Data (Form No. 121-1); Includes Necessary Cap Screws and Compression Washers