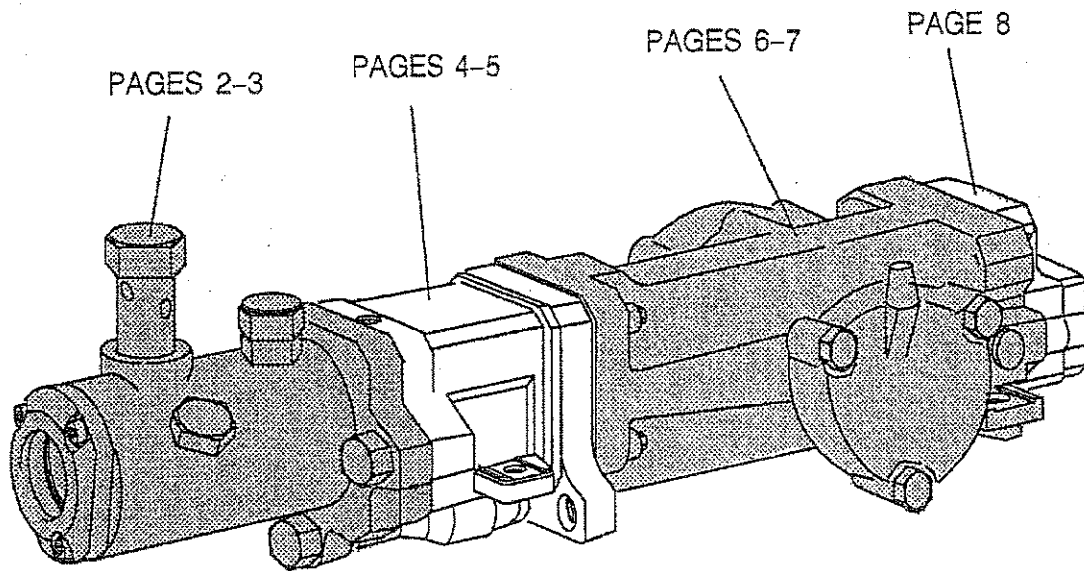
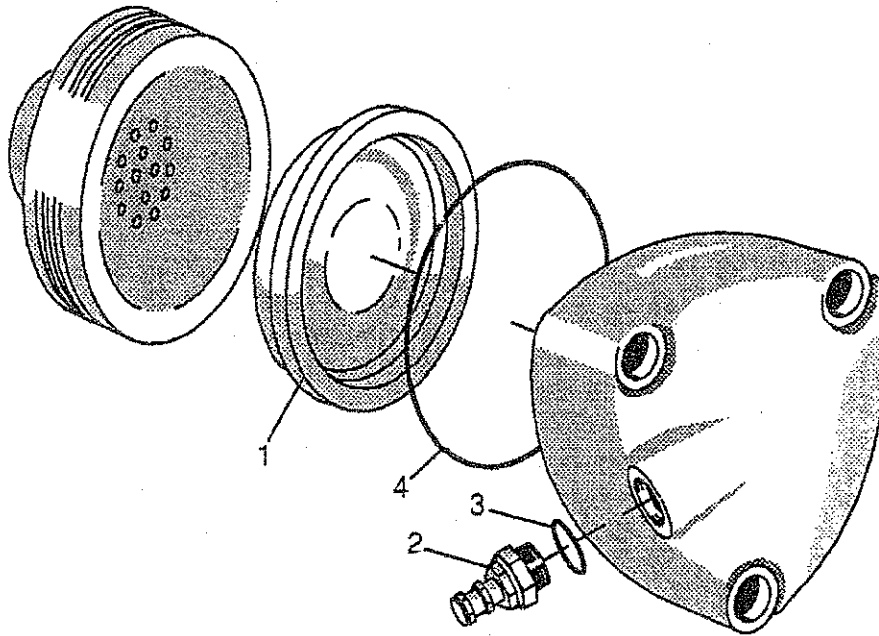


SPARE PARTS



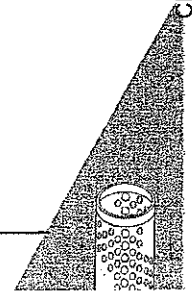
CROWDER SUPPLY CO., INC. - 8495 ROSLYN ST. - COMMERCE CITY, CO 80022 - TOLL FREE 888-883-5144 - www.crowdersupply.com





Ref no.	Order no.	Description	Standard designation	Qty
1	041 148 08	DIAPHRAGM		1
2	807 590 69	VALVE		1
3	808 010 69	O-RING	14X1,78	1
4	800 816 79	O-RING	124,5X3	1
	866 012 69	SEAL KIT	INCL. PARTS 1,3,4	

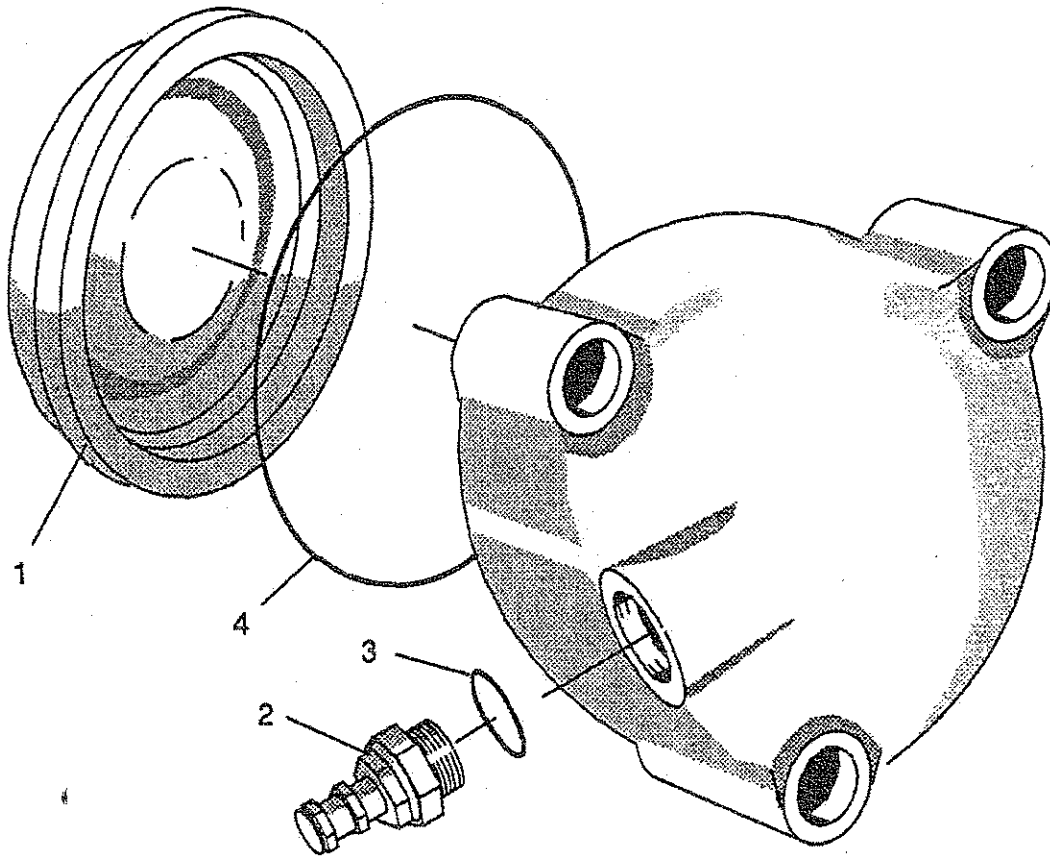
CROWDER SUPPLY CO, INC. - 8495 ROSLYN ST. - COMMERCE CITY, CO 80022 - TOLL FREE 888-883-5144 - www.crowdersupply.com



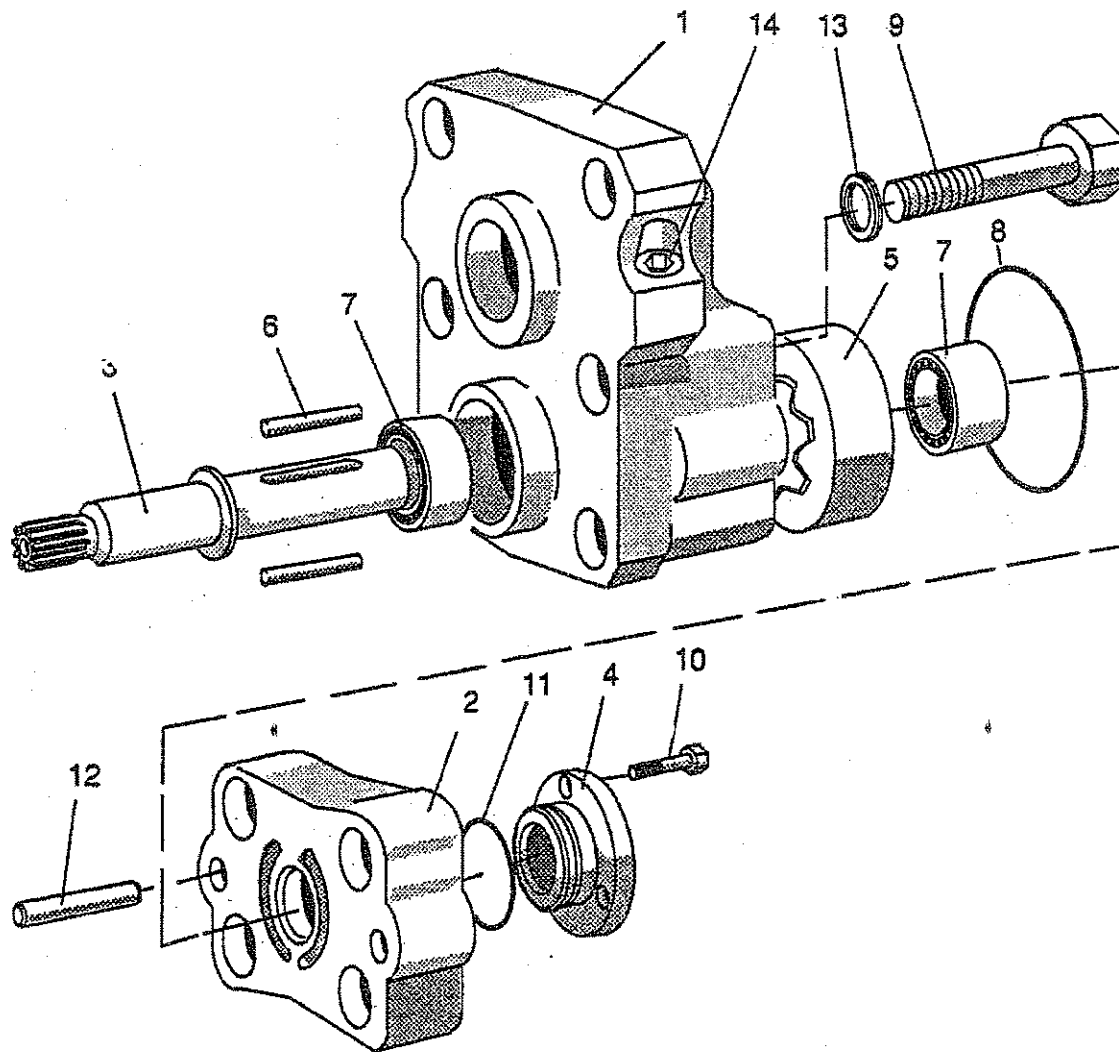
ACCUMULATOR H.P

45 BAR

153 677 08



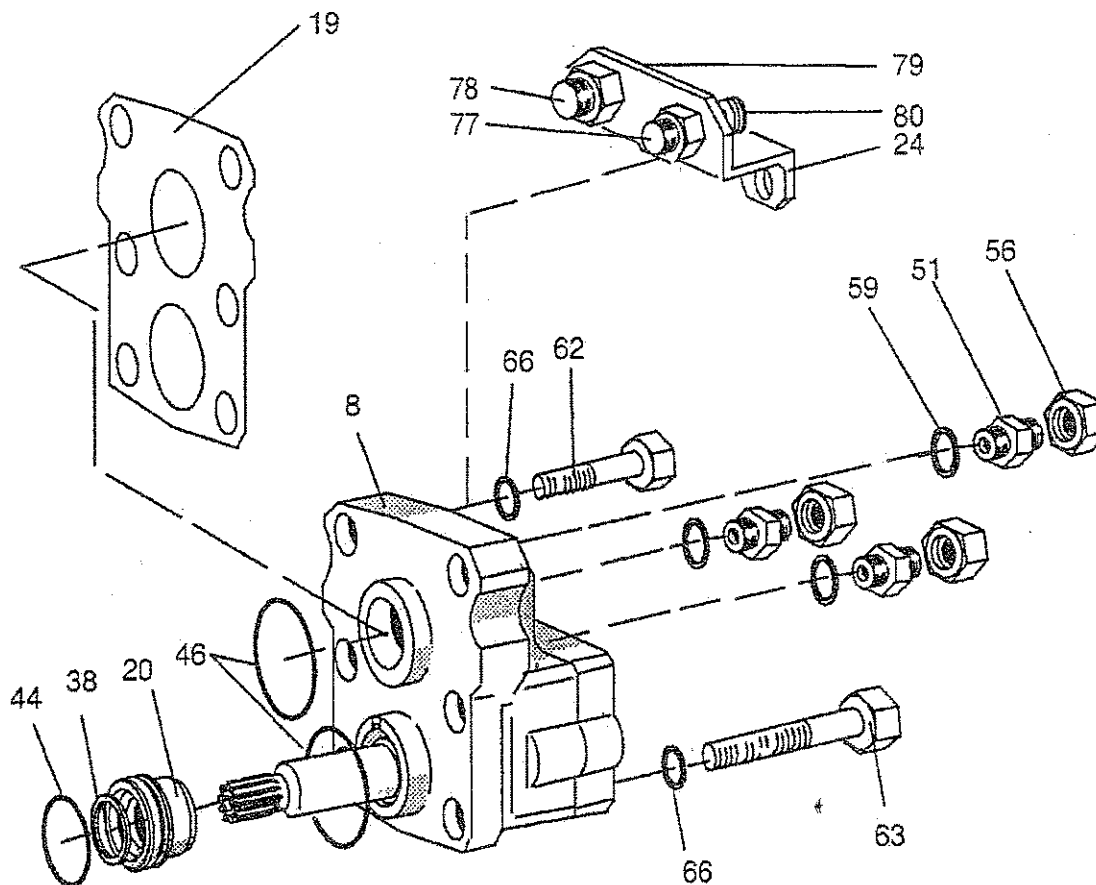
Ref no.	Order no.	Description	Standard designation	Qty
1	041 148 08	DIAPHRAGM		1
2	807 590 69	VALVE		1
3	808 010 69	O-RING	14X1,78	1
4	800 816 79	O-RING	124,5X3	1



Ref no.	Order no.	Description	Standard designation	Qty
1	154 576 58	MOTOR HOUSING ASSY	INCL. PART 14	1
2	154 580 68	REAR SECTION		1
3	151 780 28	SHAFT		1
4	151 785 68	COVER		1
5	810 189 59	DOUBLE WHEEL	2"	1
6	808 993 69	NEEDLE	4,763X44,2 BR	2
7	810 170 09	BEARING		2
8	800 659 39	O-RING	B4,5X3 SMS 1586	1
9	800 538 69	BOLT	M16X45 m 8.8 SFS 2064	2
10	808 803 59	BOLT	M8X16 m 8.8 SFS 2064	3
11	812 499 69	O-RING	32,1X1,6 SMS 1586	1
12	517 857 08	DOVEL PIN		2
13	850 687 49	LOCK WASHER	M16	2
14	806 448 09	PLUG	RT174	2



154 940 71

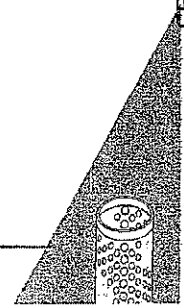


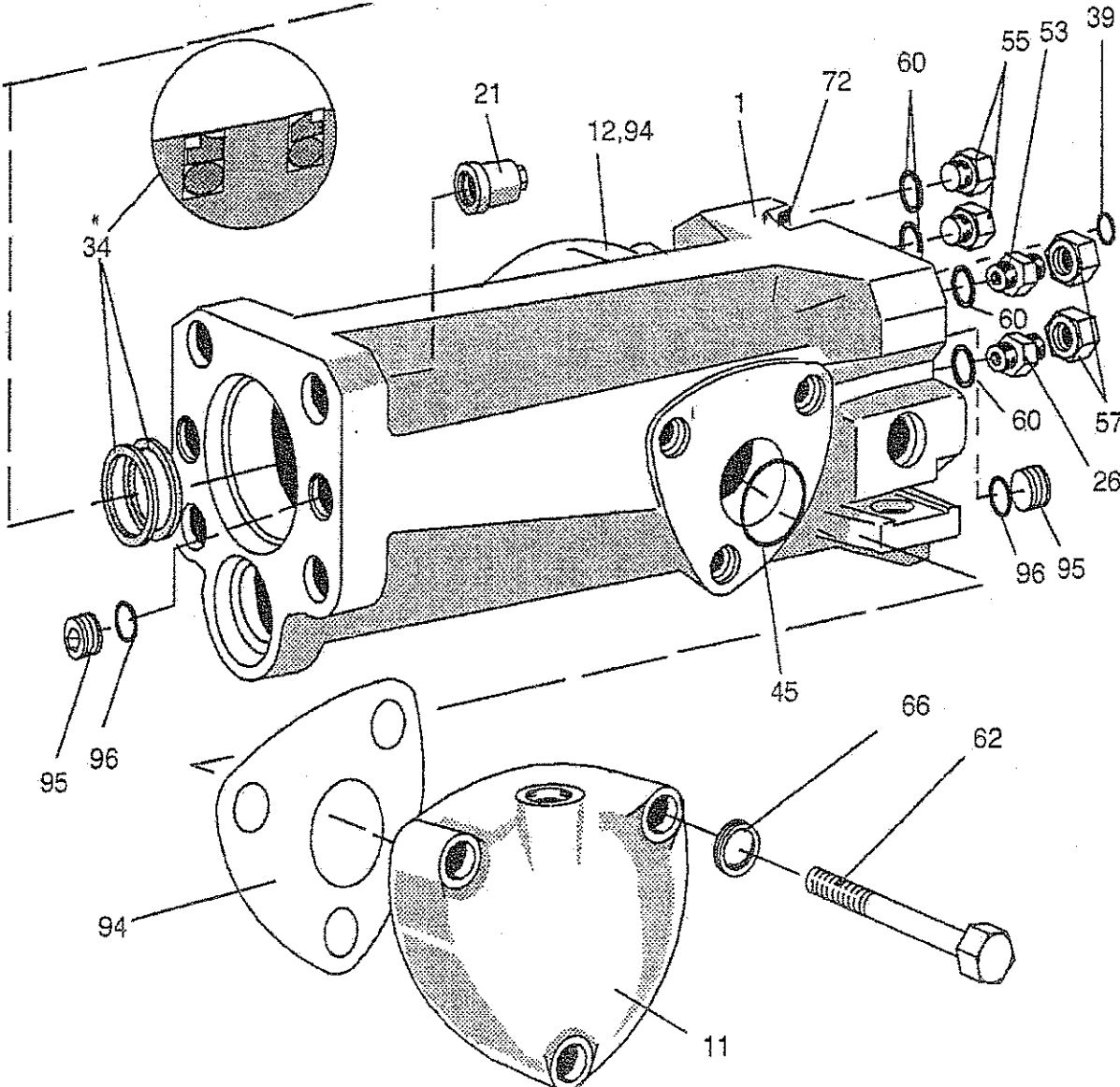
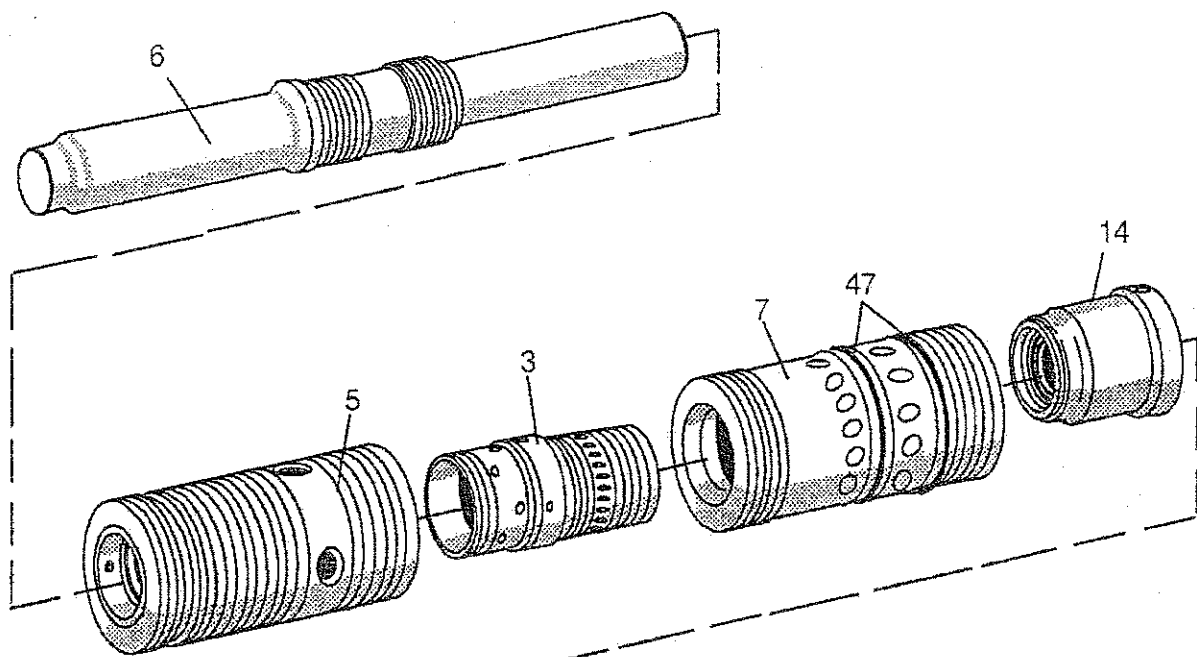
Ref no.	Order no.	Description	Standard designation	Qty
8	153 672 61	HYDR. MOTOR ASSY	SEP. PART LIST	1
19	151 820 08	GASKET		1
20	151 787 18	SEAL HOUSING		1
24	151 825 38	HOSE CLIP ASSY	INCL. PARTS 77-80	1
38	858 550 79	SEAL	25/33X3,5	1
44	522 151 20	O-RING	44,2X3-1 SMS 1586	1
46	819 532 09	O-RING	64,5X3 SMS 1586	2
51	808 971 99	ADAPTER	2063-8- 8(R1/2x3/4-16JIC)	3
56	801 101 49	CAP		3
59	800 347 99	BONDED SEAL	U21,5X28,7X2,5	3
62	813 958 49	BOLT	M16X55 m10.9 SFS 2063	2
63	800 543 39	BOLT	M16X130 m8.8 SFS 2063	2
66	850 687 49	LOCK WASHER	M16	4
77	811 293 39	BULKHEAD ADAPTER	HD 1260-8 R1/2	1
78	811 294 69	BULKHEAD ADAPTER	HD 1260-12 R3/4	1
79	811 292 09	LOCKNUT	HD 1270-12 R3/4	1
80	811 291 89	LOCKNUT	HD 1270-8 R1/2	1
	868 780 89	SEAL KIT	INCL. PARTS 19,27,32,35,38-50 52,58-60,72,94,96	

154 940 71

Ref no.	Order no.	Description	Standard designation	Qty
1	154 924 68	BODY ASSY	INCL. PARTS 72,95,96	1
3	153 678 28	DISTRIBUTOR		1
5	153 668 18	FRONT CYLINDER		1
6	153 669 48	PISTON		1
7	153 671 38	REAR CYLINDER		1
11	153 746 78	ACCUMULATOR ASSY L.P	SEP. PART LIST	1
12	153 677 08	ACCUMULATOR ASSY H.P	SEP. PART LIST	1
14	151 779 68	REAR BUSHING		1
21	151 796 08	NUT		4
26	151 942 08	ADAPTER	8 R12-JIC12	1
34	818 200 39	SEAL		2
39	522 037 40	O-RING	9,3X2,4-1 SMS 1586	1
45	428 702 10	O-RING	49,5X3-1 SMS 1586	2
47	800 658 09	O-RING	74,5X3-1 SMS 1586	2
53	810 139 09	ADAPTER	2063-12-12 (R3/4XR1,1/16-12JIC)	1
55	812 607 89	PLUG	R3/4"	2
57	810 345 69	CAP	210292-12 1,1/16-12JIC	2
60	800 348 19	BONDED SEAL	U27,2X36X2	4
62	813 958 49	BOLT	M16X55 m10.9 SFS 2063	6
66	850 687 49	LOCK WASHER	M16	6
72	150 258 78	O-RING		1
94	151 917 08	GASKET		2
95	150 221 58	PLUG		3
96	522 067 70	O-RING	17,3X2,4	3

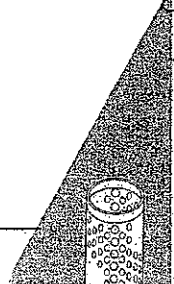
CROWDER SUPPLY CO, INC. - 8495 ROSLYN ST. - COMMERCE CITY, CO 80022 - TOLL FREE 888-883-5144 - www.crowdersupply.com

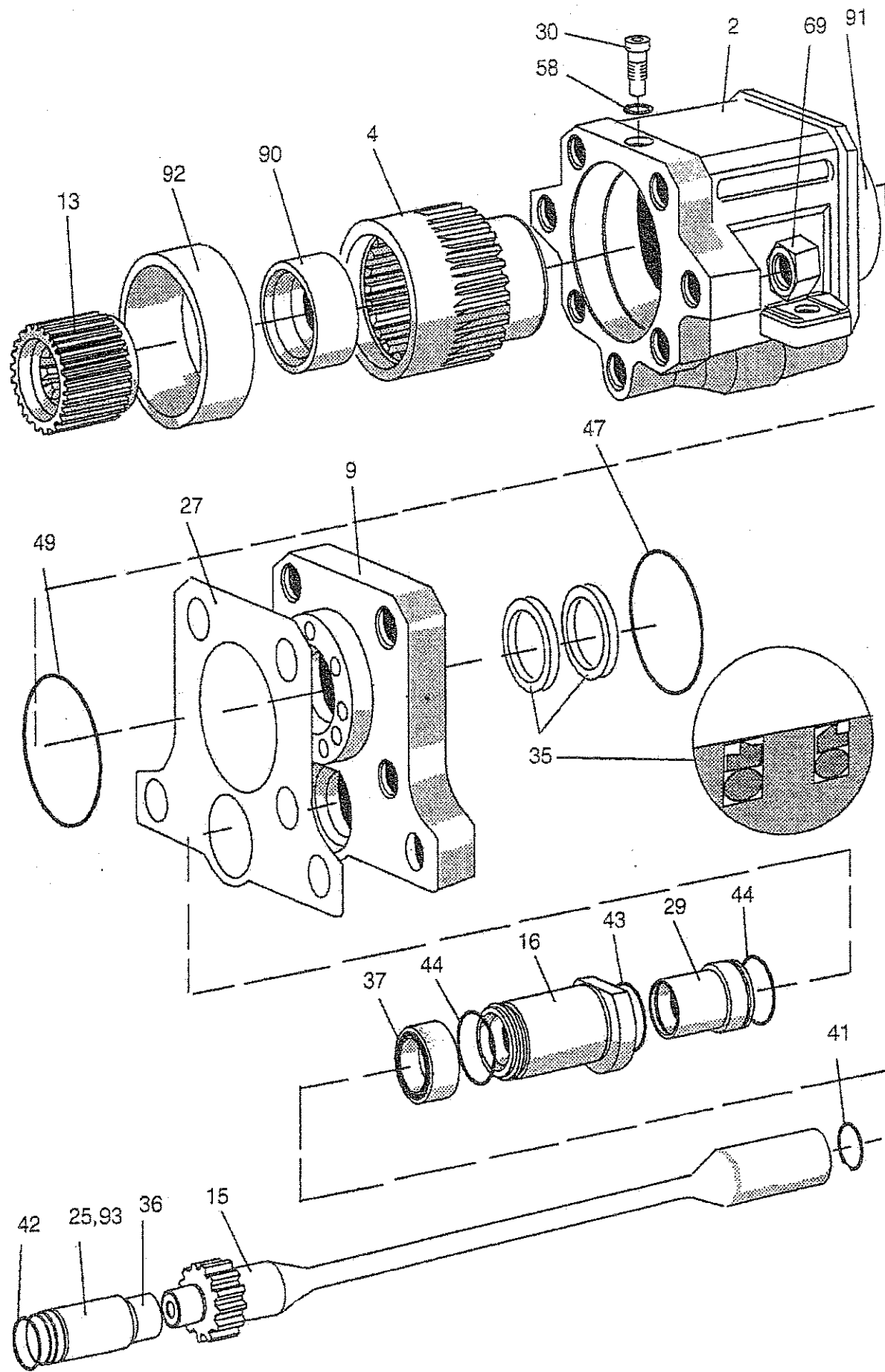




Ref no.	Order no.	Description	Standard designation	Qty
2	151 822 58	GEAR HOUSING ASSY	INCL. PARTS 91,92	1
4	151 823 88	ROTATION BUSHING ASSY	INCL. PART 90	1
9	153 689 68	COVER SPACER		1
13	151 756 68	COUPLING		1
15	151 781 58	SHAFT		1
16	151 817 88	BEARING HOUSING		1
25	150 259 08	BEARING HOUSING ASSY	INCL. PART 93	1
27	151 819 38	GASKET		1
29	150 229 78	BUSHING		1
30	150 232 98	SCREW		1
35	858 438 49	SEAL		2
36	815 035 19	BEARING		1
37	801 963 79	BEARING		1
41	815 550 39	O-RING	25,3X2,4-1 SMS 1586	1
42	522 107 40	O-RING	26,2X3-1 SMS 1586	1
43	522 149 30	O-RING	42,2X3-1 SMS 1586	1
44	522 151 20	O-RING	44,2X3-1 SMS 1586	2
47	800 658 09	O-RING	74,5X3-1 SMS 1586	1
49	816 859 79	O-RING	90X2	1
58	804 160 09	BONDED SEAL	U10,7X16X1,5	1
69	801 391 89	NUT	M20X1,5 SFS 2069	2
90	150 214 28	CHUCK		1
91	150 219 68	BUSHING		1
92	150 218 38	BUSHING		1
93	150 122 58	STUD		1

CROWDER SUPPLY CO, INC. - 8495 ROSLYN ST. - COMMERCE CITY, CO 80022 - TOLL FREE 888-883-5144 - www.crowdersupply.com





Ref no.	Order no.	Description	Standard designation	Qty
10	153 674 18	BODY		1
17	151 783 08	SHANK BUSHING		1
18	151 784 38	TIE ROD		4
22	151 797 28	FLANGE		1
23	151 798 58	SEAL HOUSING		1
28	150 220 28	BEARING		1
31	150 233 18	BEARING		1
32	150 008 78	SEAL		3
33	150 050 08	ADAPTER ASSY	INCL. PART 40	1
40	804 093 89	O-RING	18,1X1,6-1 SNS 1586	1
48	801 368 49	O-RING	59,5X3-1 SMS 1586	3
50	801 517 29	O-RING	OR 104,5X3	1
51	808 971 99	ADAPTER	2063-8- 8(R1/2x3/4-16JIC	1
52	151 818 08	GASKET		1
54	812 605 29	PLUG	R1/2	1
56	811 279 89	CAP	8 (R1/2)	1
59	800 347 99	BONDED SEAL	U21,5X28,7X2,5	2
60	800 348 19	BONDED SEAL	U27,2X36X2	1
61	446 367 30	SOCKET SCREW	M16X30 m8.8 DIN 7984	3
64	800 558 89	BOLT	M20X1,5X50 m8.8 SFS 2066	1
65	810 159 29	BOLT	M20X1,5X130 m8.8 SFS 2065	2
66	850 687 49	LOCK WASHER	M16	3
67	851 283 39	LOCK WASHER	M20	3
68	572 102 40	GREASE NIPPLE	AR1/8 DIN 71412	1

CROWDER SUPPLY CO, INC. - 8495 ROSLYN ST. - COMMERCE CITY, CO 80022 - TOLL FREE 888-883-5144 - www.crowdersupply.com

