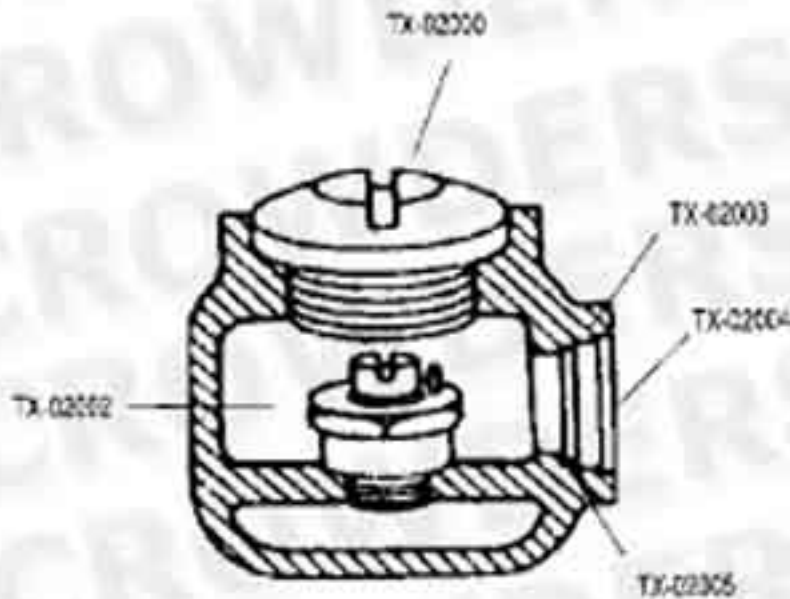
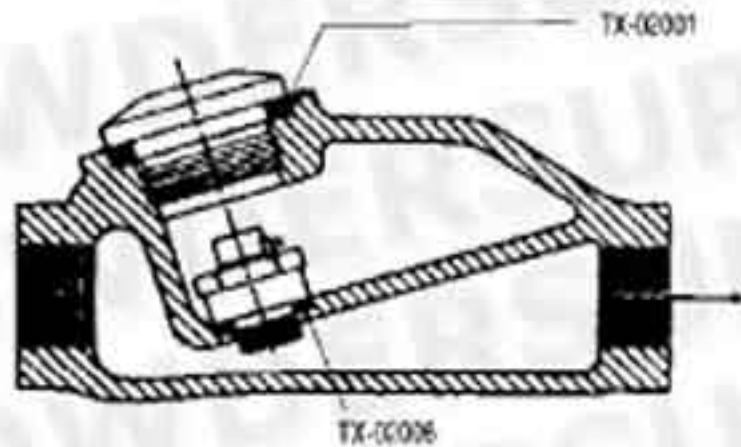


# TX-0L, TX-1L, TX-2L, TX-3L In-Line Lubricators



| PART #   | DESCRIPTION                  |
|----------|------------------------------|
| TX-02000 | FILL PLUG                    |
| TX-02001 | FILL PLUG 'O' RING           |
| TX-02002 | OIL ADJUSTING VALVE ASSEMBLY |
| TX-02003 | SIGHT DISK                   |
| TX-02004 | SIGHT DISK LOCK NUT          |
| TX-02005 | SIGHT DISK SEAL              |
| TX-02006 | VALVE GASKET                 |