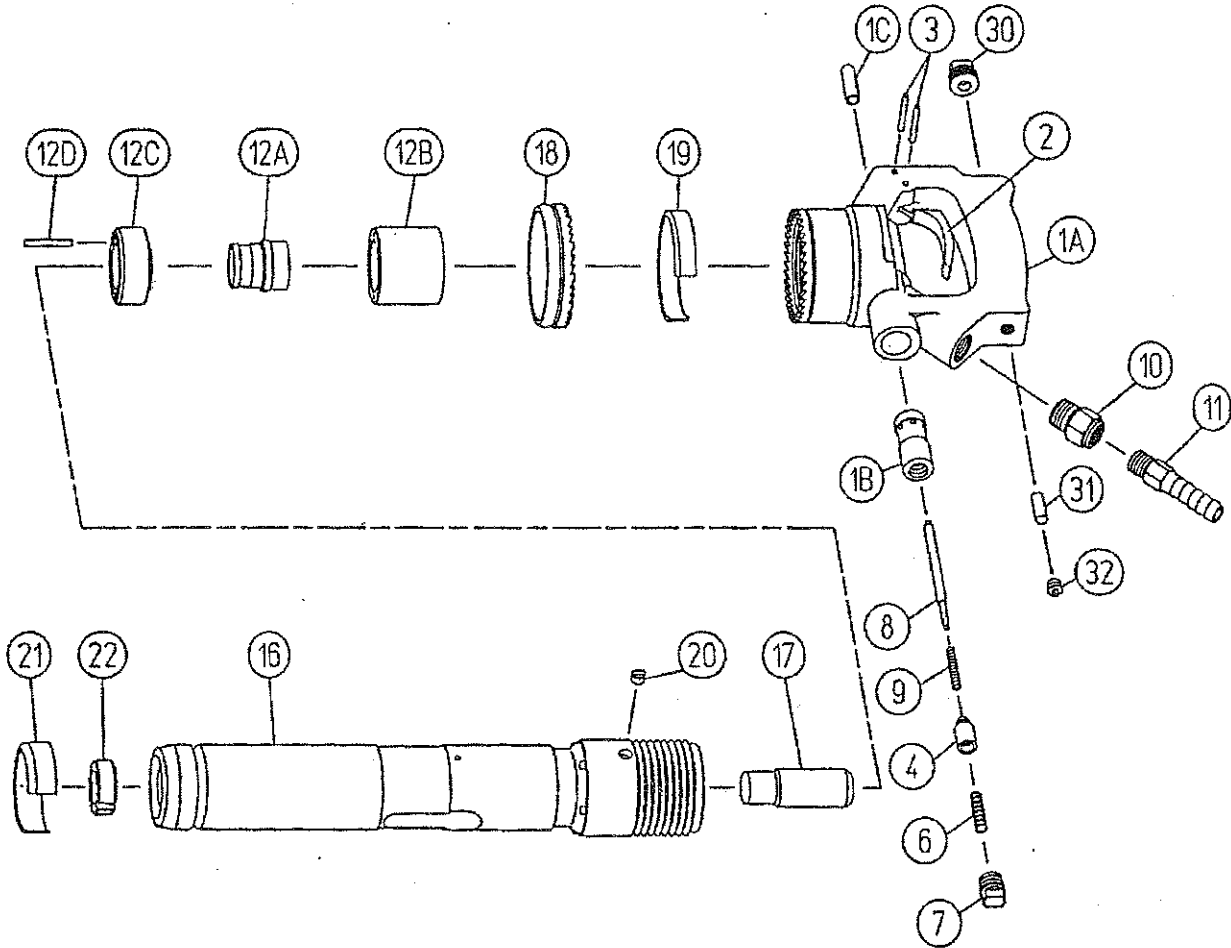


RIVET BUSTER (D Handle)

MODEL: A-90NI
PART: TOKU RB-91D
 1 1/8" Shank, Jumbo 9" Stroke
 A-90NBI
 TOKU RB-90D
 1" Shank, Standard 9" Stroke

TOKU



Symbol No.	Parts No.	Qty. Req.	Description	Symbol No.	Parts No.	Qty. Req.	Description
1A	41-04-66-010	1	HANDLE	16	41-04-63-191	1	CYLINDER (For A-90NI)
1B	41-04-60-060	1	THROTTLE VALVE BUSHING		41-04-64-191	1	CYLINDER (For A-90NBI)
1C	41-02-21-300	1	THROTTLE VALVE STEM GUIDE	17	41-04-63-200	1	PISTON
2	41-02-11-120	1	TRIGGER	18	41-04-60-300	1	CLUTCH
3	13-04-01-030	2	TRIGGER PIN	19	41-04-60-310	1	CLUTCH BAND
4	41-04-66-050	1	THROTTLE VALVE	20	41-04-60-320	1	CLUTCH KEY
6	13-08-01-065	1	THROTTLE VALVE SPRING	21	41-04-60-470	1	EXHAUST BAND
7	13-49-05-019	1	THROTTLE VALVE CAP	22	41-04-63-560	1	PISTON STOPPER (For A-90NI)
8	41-04-66-C10	1	THROTTLE VALVE PIN		41-04-64-560	1	PISTON STOPPER (For A-90NBI)
9	13-08-01-066	1	VALVE PIN SPRING				
10	13-47-04-030	1	SCREW BUSHING 1/2X3/8				
11	13-48-03-040	1	HOSE STEM 3/8X1/2	30	41-02-11-720	1	OIL PLUG NPTF 1/2
12A	41-04-60-100	1	VALVE	31	13-61-01-011	1	OIL CONTROL FELT
12B	41-04-60-150	1	VALVE BOX	32	13-49-01-001	1	OIL CONTROL PLUG PP-2 PT 1/8
12C	41-04-60-140	1	VALVE SEAT				
12D	13-04-01-057	1	VALVE KNOCK 4.5X35				