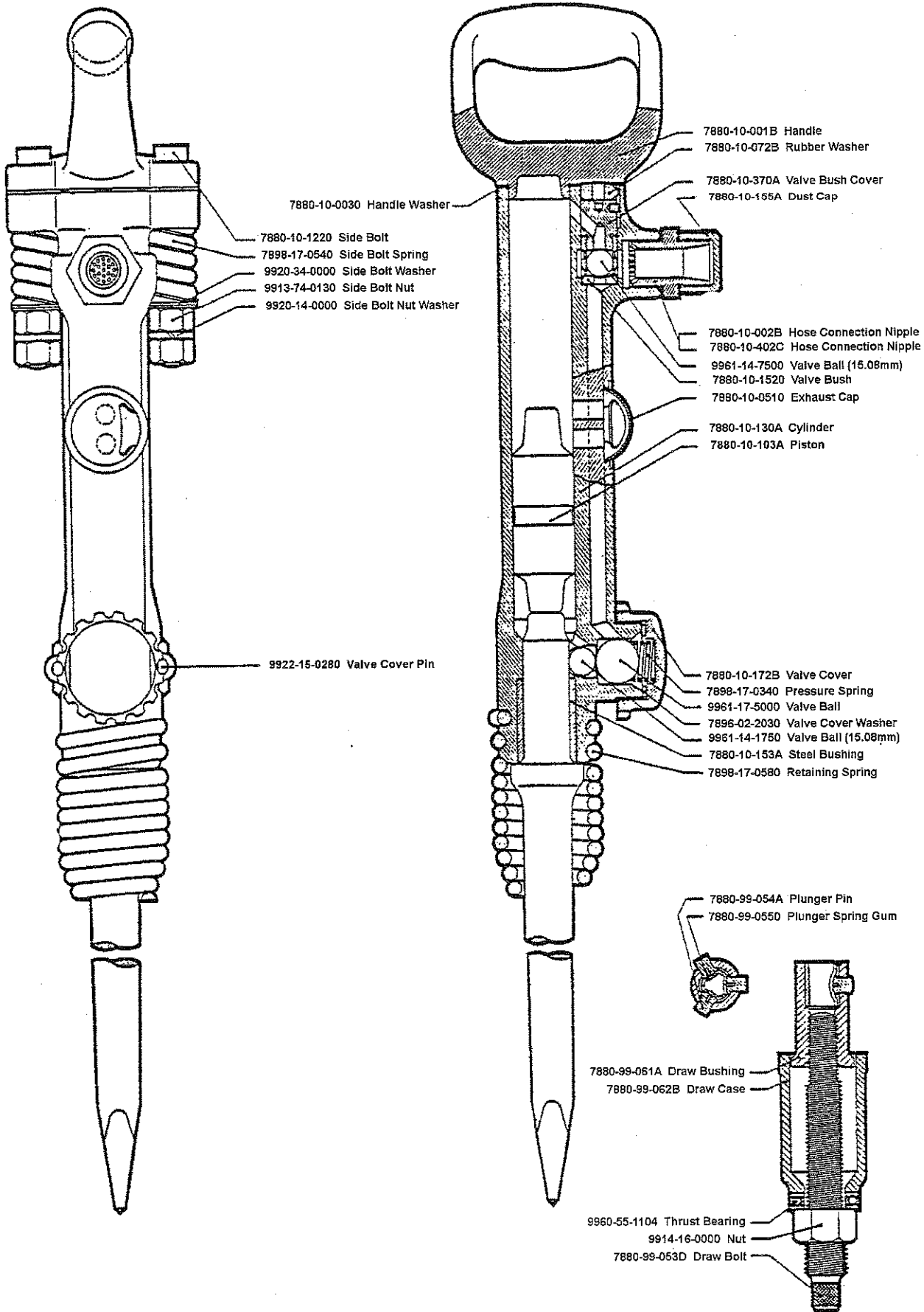


**GENERAL VIEW AND PARTS LIST OF CA-7A PICK HAMMER UNIT**



# CA7A PICK HAMMER PARTS LIST (I)

Machine Name	Code No.	
CA7A PICK HAMMER	7-880-00-6000	

Name of Part	Unit Per Set	Code No.
Handle .....	1	7880-10-001B
Spud-Hose .....	1	7880-10-402C
Gasket-Handle .....	1	7880-10-0030
Cylinder .....	1	7880-10-150A
(includes 7-880-10-1520(2) 7-880-10-153A)		
Bushing-Valve .....	2	7880-10-1520
Bushing-Steel .....	1	7880-10-153A
Cap-Exhaust .....	1	7880-10-051C
Ball-Steel (φ15.08 mm) .....	3	9961-14-7500
Cover-Valve Bushing .....	2	7880-10-370A
Washer-Rubber .....	2	7880-10-072B
Piston .....	1	7880-10-103A
Spring-Side Bolt .....	2	7898-17-0540
Bolt-Side .....	2	7880-10-1220
Nut .....	4	9913-74-0130
Washer-Plane .....	2	9920-34-0000
Washer-Spring .....	2	9920-14-0000
Spring-Retaining .....	1	7898-17-0580
Ball-Steel (φ23.81 mm) .....	1	9961-17-5000
Spring-Pressure .....	1	7898-17-0340
Cover-Valve .....	1	7880-10-172B
Gasket .....	1	7896-02-2030
Pin-Split .....	2	9922-15-0200
Cap-Dust .....	1	7880-10-155A
<b>Optional Part</b>		
<b>Draw Tool Assembly</b>	(1)	7880-99-050C
(for Bushing-Steel)		
Bushing-Draw .....	1	7880-99-051A
Case-Draw .....	1	7880-99-052B
Screw-Draw .....	1	7880-99-053D
Pin-Plunger .....	3	7880-99-054A
Rubber-Plunger Spring .....	1	7880-99-0550
Nut .....	1	9914-16-0000
Bearing-Thrust Ball .....	1	9960-81-1040