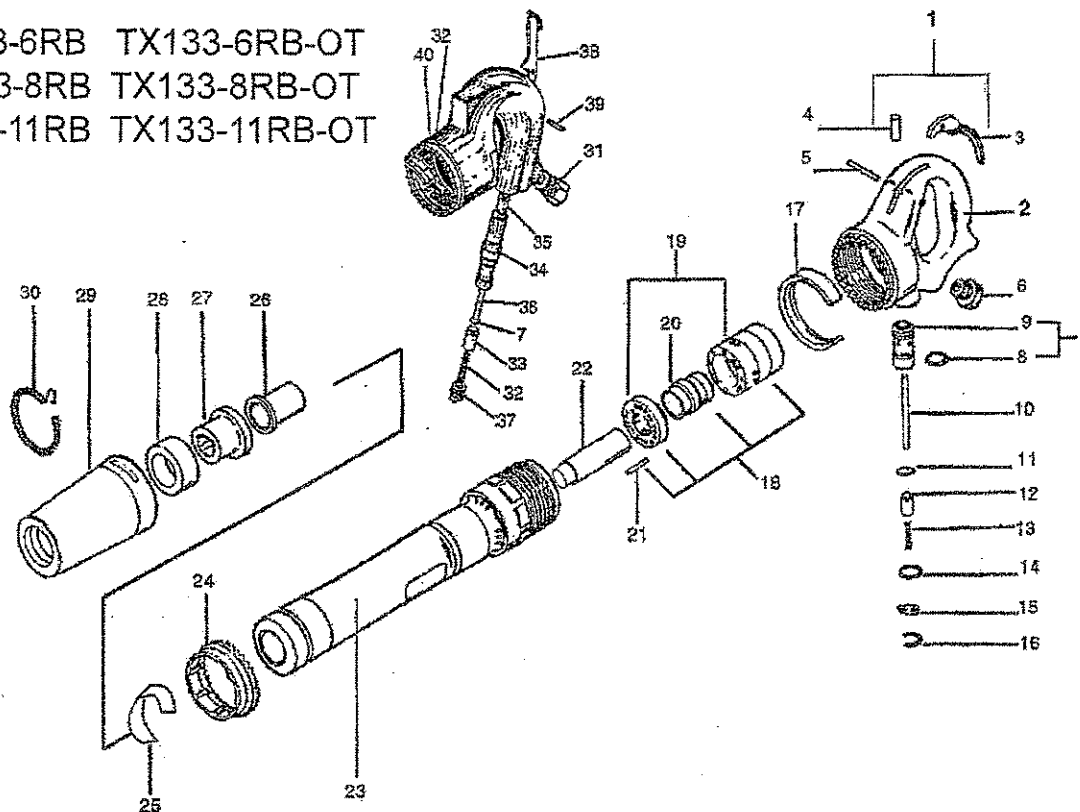


Rivet Buster Series

TX133-6RB TX133-6RB-OT
 TX133-8RB TX133-8RB-OT
 TX133-11RB TX133-11RB-OT



WARNING

ALWAYS DISCONNECT THE AIR SUPPLY BEFORE ATTEMPTING TO CHANGE A CHISEL, MOIL, OR OTHER ACCESSORY ON A PNEUMATIC TOOL OR BEFORE CARRYING OUT ANY MAINTENANCE OR REPAIR WORK ON THE TOOL.

ITEM#	PART#	DESCRIPTION	ITEM#	PART#	DESCRIPTION
1	TX13301	Handle Complete (TX13301-OT)	24	TX13324	Lock Ring
2	TX13302	Bare Handle	25	TX13325	Exhaust Deflector
3	TX13303	Lever (for inside handle)	26	2101	Upper Sleeve
4	TX13304	Throttle Lever Pin Bushing	27	70005	Lower Sleeve
5	TX13305	Lever Pin	28	2104	Rubber Bumper
6	TX13306	Inlet Bushing	29	1851	Retainer
7	TX13307	Throttle Valve Bushing Assy.	30	2194	Retainer Spring
8	TX13308	T.V. Bushing O-Ring	<p>NOTICE: * Dry firing or blank firing this tool is subject to damaging the piston. It is advisable to never dry fire any percussion air tool.</p> <p>* Dry firing or blank firing is when tool is operated without being placed on object being worked on.</p>		
9	TX13309	Throttle Valve Bushing	31	TX00995	1/2"x1/2" Inlet Bushing (Screened)
10	TX13310	Throttle Valve Pin	32	TX13313	Throttle Valve Spring
11	TX13311	Throttle Valve O-Ring	33	TX13327	Throttle Valve with O ring
12	TX13312	Throttle Valve	34	TX13328	Throttle Tube
13	TX13313	Throttle Valve Spring	35	TX13329	Bushing
14	TX13314	Retainer Cap O-Ring	36	TX13330	Throttle Push Pin
15	TX13315	Retainer Cap	37	TX13331	Throttle Valve Plug
16	TX13316	Retainer Clip	38	TX13332	Throttle Lever (outside)
17	TX13317	Lock Ring Cover	39	TX13333	Throttle Lever Pin
18	TX13318	Valve Assy. Complete	40	TX13301-OT	Handle Complete (TX133RB-OT)
19	TX13319	Front and Rear Valve			
20	TX13320	Main Valve			
21	TX13321	Valve Pin			
22	TX13322	Piston (for 6" and 8" stroke)			
	TX13322-11	Piston (for 11" stroke)			
23	TX13323-6	Barrel			
	TX13323-8	Barrel (for 8" stroke)			
	TX13323-11	Barrel (for 11" stroke)			

CROWDER SUPPLY CO., INC. - 8495 ROSLYN ST. - COMMERCE CITY, CO 80022 - TOLL FREE 888-883-5144 - www.crowdersupply.com