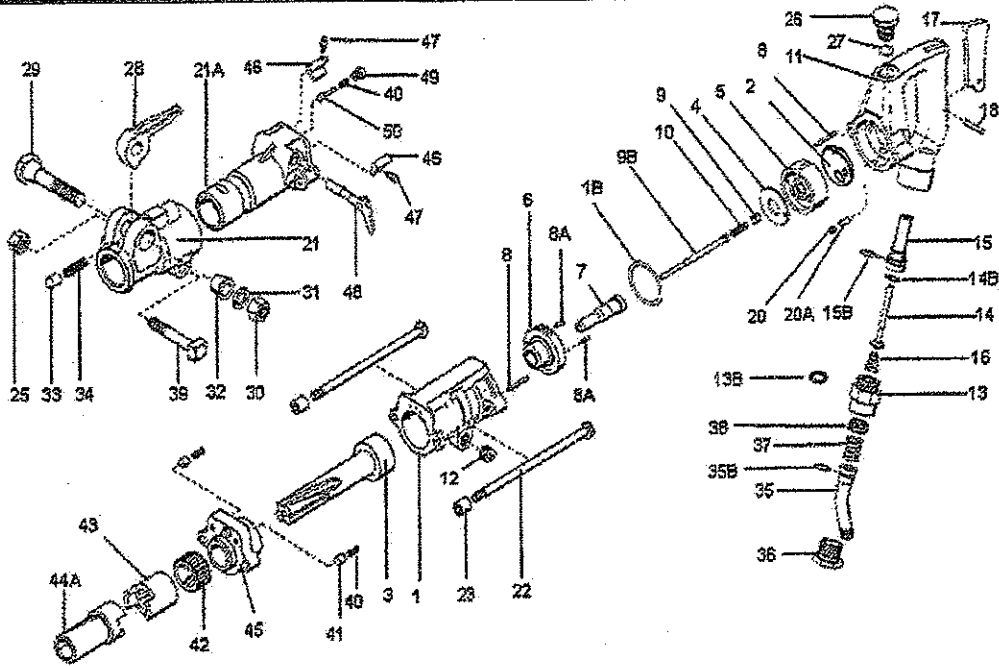


18# Hammer Drill



ITEM#	PART#	DESCRIPTION	ITEM#	PART#	DESCRIPTION
1	45503	Cylinder	23	45507	Side Rod Nut
1B	424002	Cylinder "O" Ring	25	43759	Fronthead Bolt Nut
2	424003	Valve Gasket	26	45517	Oil Plug
3	45597	Piston	27	81675	Plug "O" Ring
4	45504	Valve ◇	28	43752	Latch Retainer (Forged)
5	45515	Upper Valve Block	29	43787B	Retainer Bolt
6	45505	Lower Valve Plate	30	43790	Retainer Bolt Nut
7	45516	Guide Bushing ◇	31	43143	Lock Washer
8	45502	Dowel Pin (2)	32	43786	Cone Washer
8A	42010	Location Pin (2) ◇	33	43788	Plunger
9	68073	Seal Plug ◇	34	43785	Plunger Spring
9B	45509	Blow Tube ◇	35	43791	Air Inlet Swivel
10	43162	Plunger Spring	35B	91108	Air Inlet Swivel "O" Ring
11	45508	Handle Bar	36	43792	Air Inlet Swivel Nut
12	45596	Seal Plug	37	47754	Inlet Swivel Spring
13	424016	Handle Bushing	38	43044	Air Inlet Screen
13B	424017	Handle Bushing "O" Ring	39	43757	Fronthead Bolt
14	424018	Throttle Valve	40	43605	Plunger Spring (3)
14B	424019	Throttle Valve "O" Ring	41	45498	Plunger (2)
15	424020	Throttle Valve Bushing	42	45501	Ratchet Ring
15B	424021	Throttle Valve Bushing "O" Ring	43	45493	Chuck Driver
16	44007	Throttle Valve Spring	44A	45489	Chuck 7/8" x 3 1/4" Hex
17	424023	Throttle Lever	45	45496	Front Bearing
18	45519	Throttle Lever Pin	46	45499	Pawl (2)
20	424025	Oil Control Plug	47	45500	Pawl Spring (2) ◇
20	424026	Oil Felt	48	45492	Pawl Shifter Lever
21	89134	Fronthead	49	45494	Bearing
21	89127	Fronthead Holder	50	45495	Plunger
22	98442	Side Rod			

◇ NOT INTERCHANGABLE WITH APT