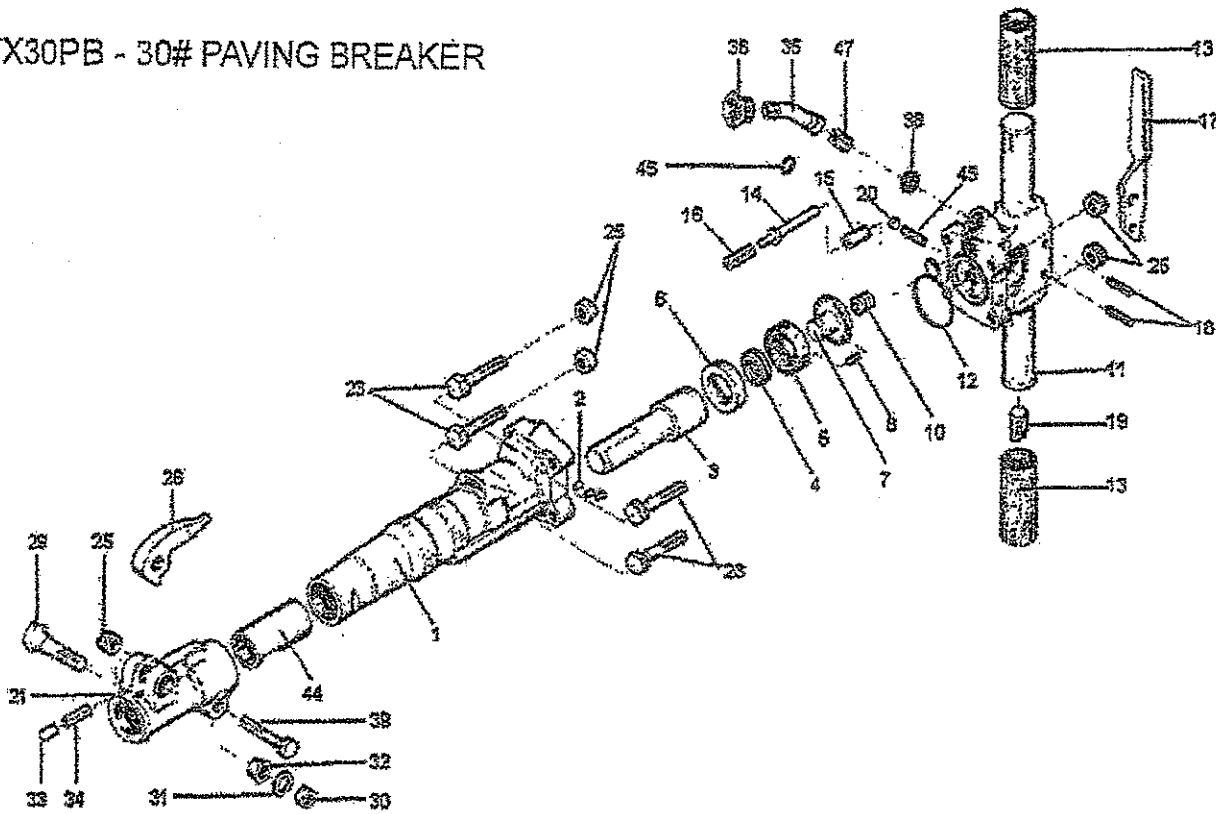


30# Paving Breaker

TX30PB - 30# PAVING BREAKER



ITEM#	PART#	DESCRIPTION	ITEM#	PART#	DESCRIPTION
1	43026	Cylinder	NS	43781	Fronthead Complete
2	421002	Cylinder Plugs (3)(Opt.)	23	92020	Backhead Bolt (4)
3	43028	Piston	24	50734	Bolt Washer (5)(Opt.)
4	43038	Automatic Valve	25	43014	Bolt Nut (5)
5	43037	Valve Chest	28	43784	Steel Retainer (Forged)
6	43036	Valve Seat	29	43787B	Retainer Bolt
7	43039	Valve Guide	30	43790	Retainer Bolt Nut
8	43043	Valve Dowel	31	43143	Retainer Bolt Lockwasher
10	43042	Backhead Spring	32	43786	Retainer Bolt Bushing
11	43795	Backhead	33	43788	Retainer Plunger
12	6825	Backhead "O" Ring (Opt.)	34	43785	Retainer Plunger Spring
NS	44011	Backhead Complete	35	43791	Air Inlet Swivel
13	43476	Handle Grip (2)	36	43792	Air Inlet Swivel Nut
14	46893	Throttle Valve	38	43044	Air Inlet Screen
15	43395	Throttle Valve Bushing	39	98424	Fronthead Bolt + Nut
16	43047	Throttle Valve Spring	44	43025	Chuck Bushing 1" x 4 1/4" Hex
17	805623	Throttle Lever		43024	Chuck Bushing 7/8" x 3 1/4" Hex
18	43393	Throttle Lever Pin	45	43473	Oil Control Felt
19	43399	Oil Plug	46	91108	Inlet Swivel "O" Ring
20	68073	Oil Control Plug	47	47754	Inlet Swivel Spring
21	43783	Fronthead			