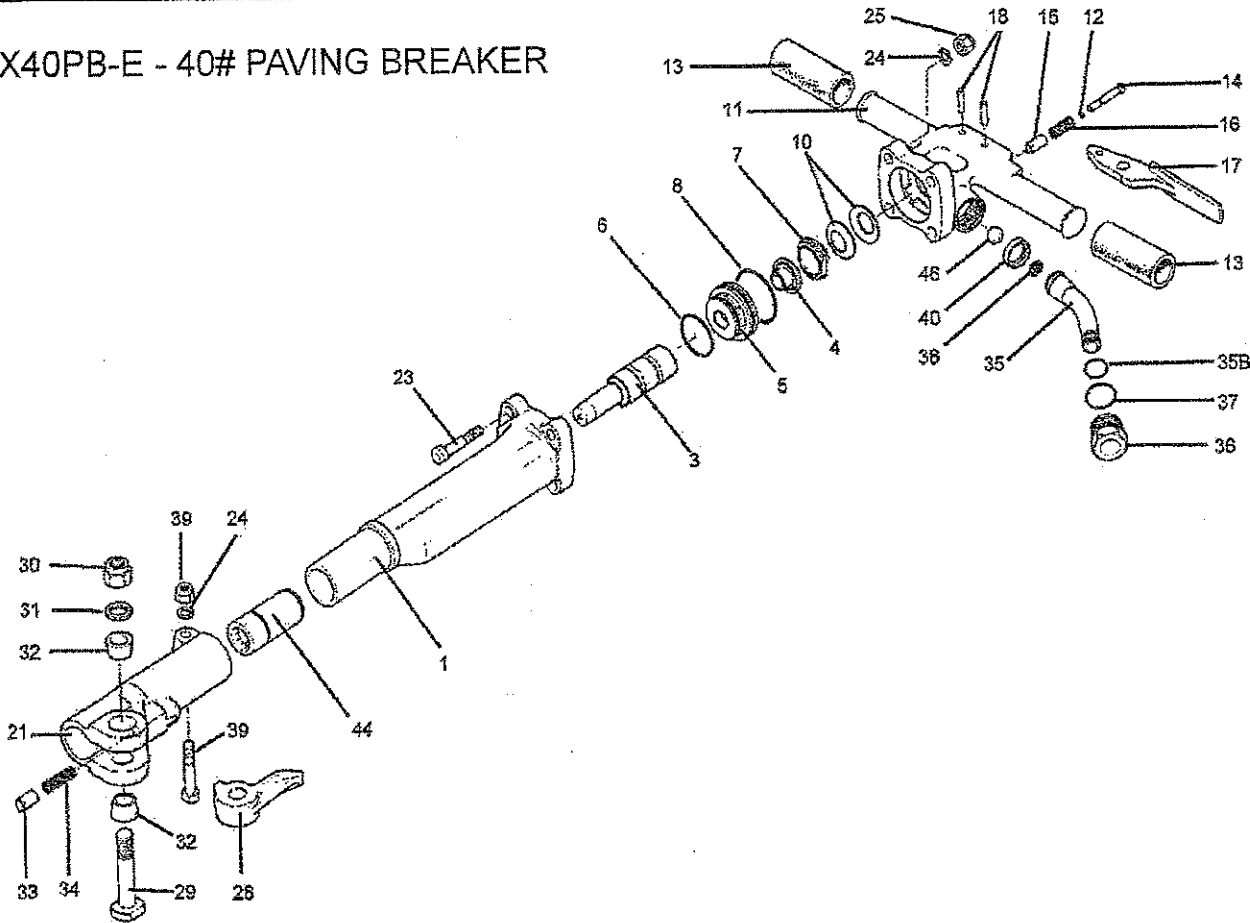


40# Paving Breaker

TX40PB-E - 40# PAVING BREAKER



ITEM#	PART#	DESCRIPTION	ITEM#	PART#	DESCRIPTION
1	66401E	Cylinder	25	43040B	Bolt Nut (5)
3	66403E	Piston	28	43527	Steel Retainer (Forged)
4	66405	Automatic Valve	29	43524B	Retainer Bolt
5	66404	Valve Chest	30	43525	Retainer Bolt Nut
6	66406	Valve Chest "O" Ring, Lower	31	43007	Retainer Bolt Lock Washer
7	66407	Valve Cover	32	43523	Retainer Bolt Bushing-Rubber (2)
8	66408	Valve Chest "O" Ring, Upper	33	43522	Retainer Plunger
10	66410	Backhead Spring (2)	34	43521	Retainer Plunger Spring
11	66411	Backhead Bare (Incl. #6415)	35	66635	Air Inlet Swivel 1/2" NPT
12	66412	Throttle Valve "O" Ring	35B	66622	Inlet Swivl "O" Ring
13	43476	Handle Grip (2)	36	66436	Air Inlet Swivel Nut
14	66414	Throttle Valve	37	66637	Air Inlet Swivel Nut "O" Ring
15	66415	Throttle Valve Bushing	38	66438	Air Inlet Screen
16	66413	Throttle Valve Spring	39	98424	Fronthead Bolt + Nut
17	805623	Throttle Lever	40	66454	Air Inlet Spacer
18	43393	Throttle Lever Pin	44	66444E	Chuck Bushing 1" x 4 1/4" Hex
21	66421	Fronthead Bare	46	66449	Throttle Valve Ball
23	43040A	Backhead Bolt (4)	NS	45605	Retainer Bolt Bushing-Steel (2)
24	50734	Bolt Washer (5)			

CROWDER SUPPLY CO, INC. - 8495 ROSLYN ST. - COMMERCE CITY, CO 80022 - TOLL FREE 888-863-5144 - www.crowdersupply.com