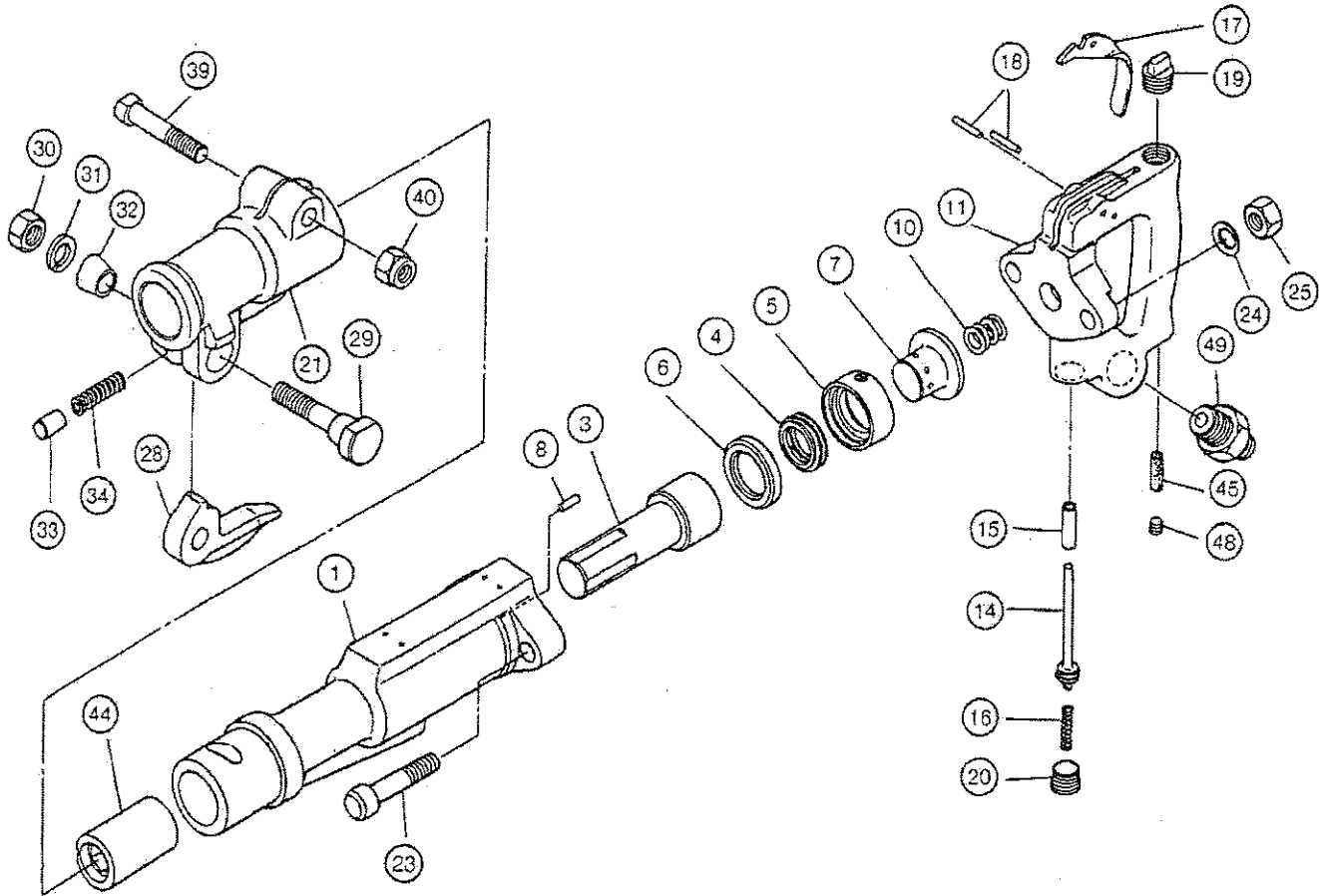


MODEL 16

THOR POWER TOOLS

CLAY DIGGER



SYM. NO.	PART NO.	CONTINENTAL NO.	DESCRIPTION	AMT. REQ.
1		6801	Cylinder	1
3	43762	6803	Piston	1
4	43764	6804	Valve	1
5	43766	6805	Valve Chest	1
6	43765	6806	Valve Seat	1
7	43767	6807	Valve Guide	1
8	43043	6808	Valve Chest Dowel Pin	1
10	43042	6810	Plunger Spring	1
11		6811	Back Head Bare	1
		6811-D	Back Head Complete	1
14	43772	6814	Throttle Valve	1
15	86852	6815	Throttle Valve Bushing	1
16	43760	6816	Throttle Valve Spring	1
17	61963	6817	Throttle Lever	1
18	71840	6818	Throttle Lever Pin	2
19	57674	6819	Oil Reservoir plug	1
20	CTC-15	6820	Throttle Valve Plug	1
21	43753	6821	Front Head Bare	1
23	43755	6823	Back Head Bolt	2
24		6824	Back Head Bolt Lock Washer	2

SYM. NO.	PART NO.	CONTINENTAL NO.	DESCRIPTION	AMT. REQ.
25	43756	6825	Back Head Bolt Nut	2
28	43752	6828	Steel Retainer Lever	1
29	43787	6829	Steel Retainer Bolt	1
30	43790	6830	Steel Retainer Nut	1
31	43143	6831	Steel Retainer Lock Washer	1
32	43786	6832	Steel Retainer Bolt Bushing	1
33	43788	6833	Steel Retainer Plunger	1
34	43754	6834	Steel Retainer Plunger Spring	1
39	43757	6839	Front Head Bolt	1
40	43759	6840	Front Head Bolt Nut	1
44	43746	6844	Sleeve Bushing (7/8" x 3-1/4")	1
45	43773	6645	Oil Control Felt	1
48	68073	6848	Oil Control Plug	1
49	51386	6849	Air Inlet Bushing	1

CROWDER SUPPLY CO., INC. - 8495 ROSLYN ST. - COMMERCE CITY, CO 80022 - TOLL FREE 888-883-5144 - www.crowdersupply.com